

ASSEMBLY INSTRUCTION

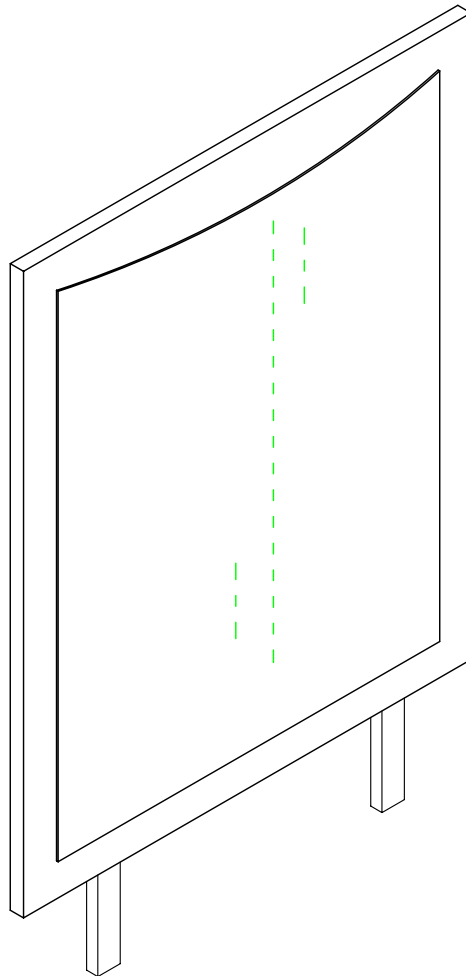
PLEASE READ BEFORE ASSEMBLING!

Tip #1: Make sure you've taken all the pieces and hardware out of its packaging before discarding the box.

Tip #2: Using page 2 and/or page 3 of instruction manual make sure all pieces and hardware are accounted for.

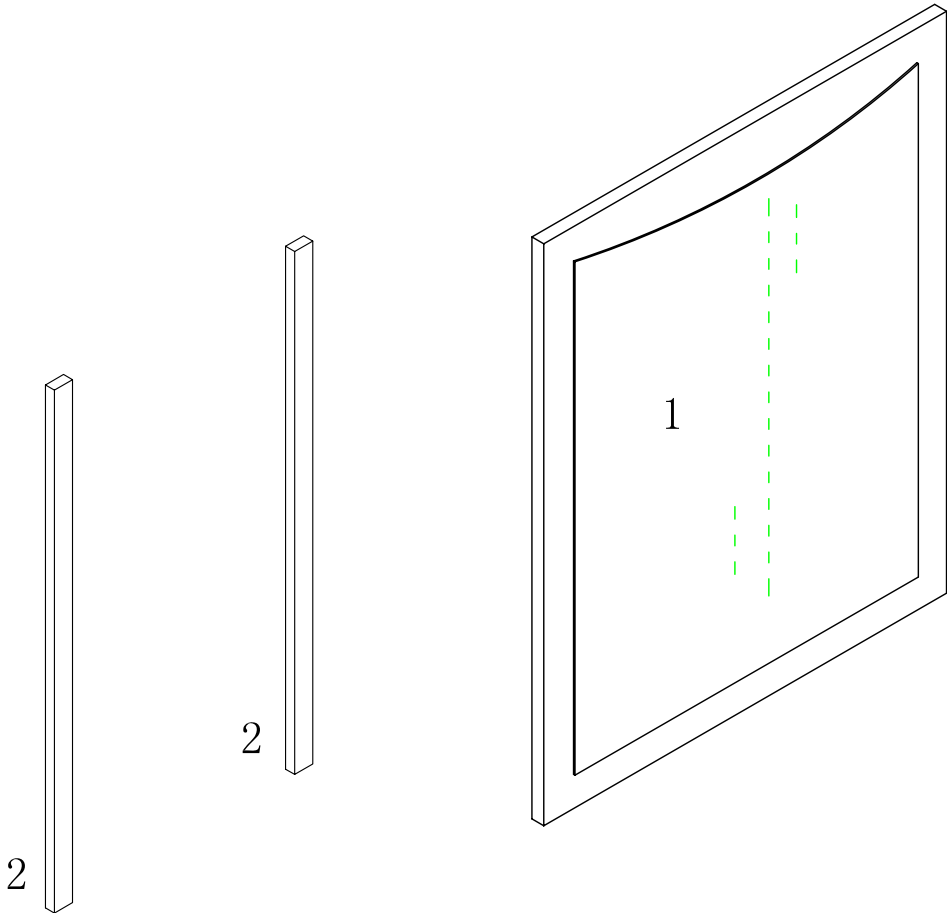
Tip #3: Read manual before assembling, it helps!

ITEM#: 8911



PARTS IDENTIFICATION

ITEM#: 8911

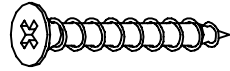


(1)	1pc
(2)	2pcs

HARDWARE IDENTIFICATION

ITEM#: 8911

A

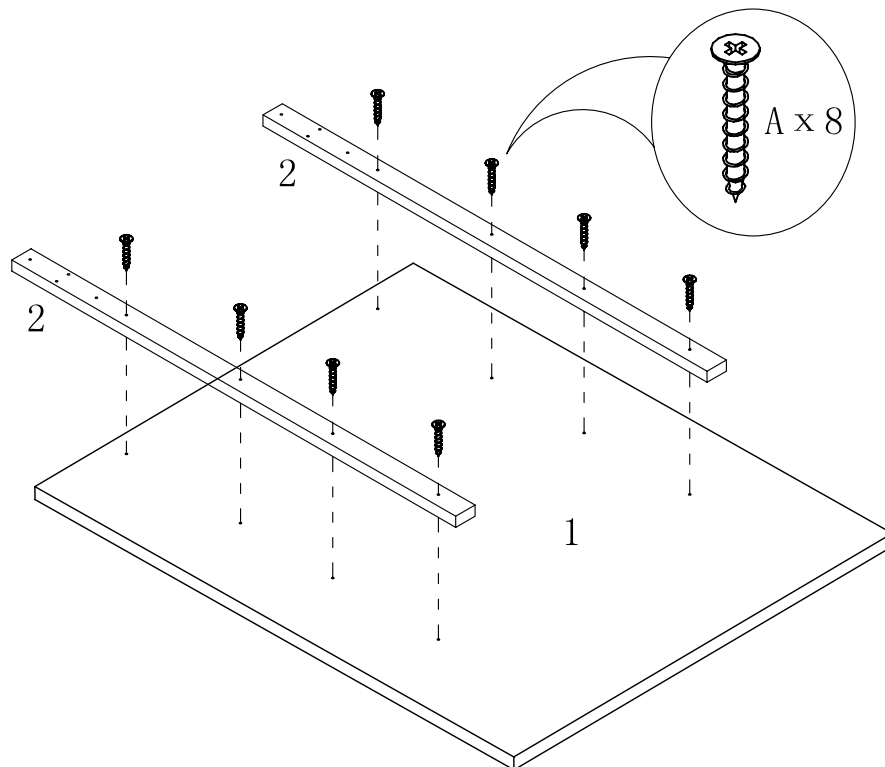


$\phi 4 \times 35$

16pcs

ASSEMBLY INSTRUCTION

ITEM#: 8911



STEP1

PAGE: 3 OF 4

ASSEMBLY INSTRUCTION

ITEM#: 8911

STEP 2

