

# ASSEMBLY INSTRUCTION

---

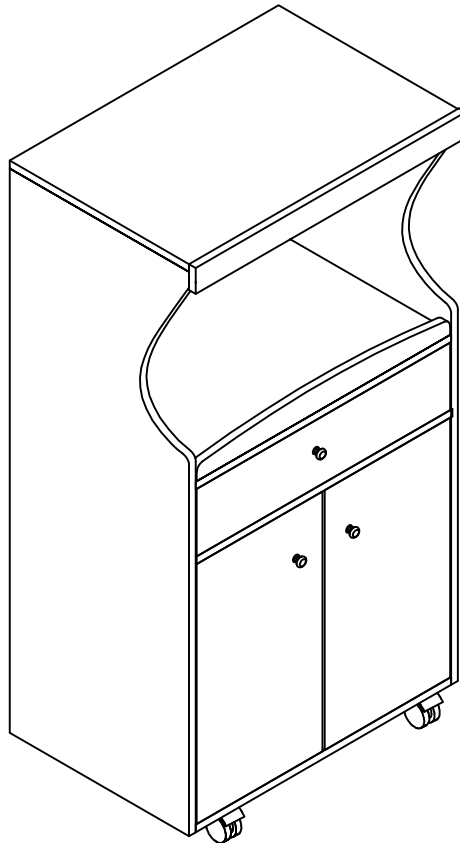
## **PLEASE READ BEFORE ASSEMBLING!**

Tip #1: Make sure you've taken all the pieces and hardware out of its packaging before discarding the box.

Tip #2: Using page 2 and/or page 3 of instruction manual make sure all pieces and hardware are accounted for.

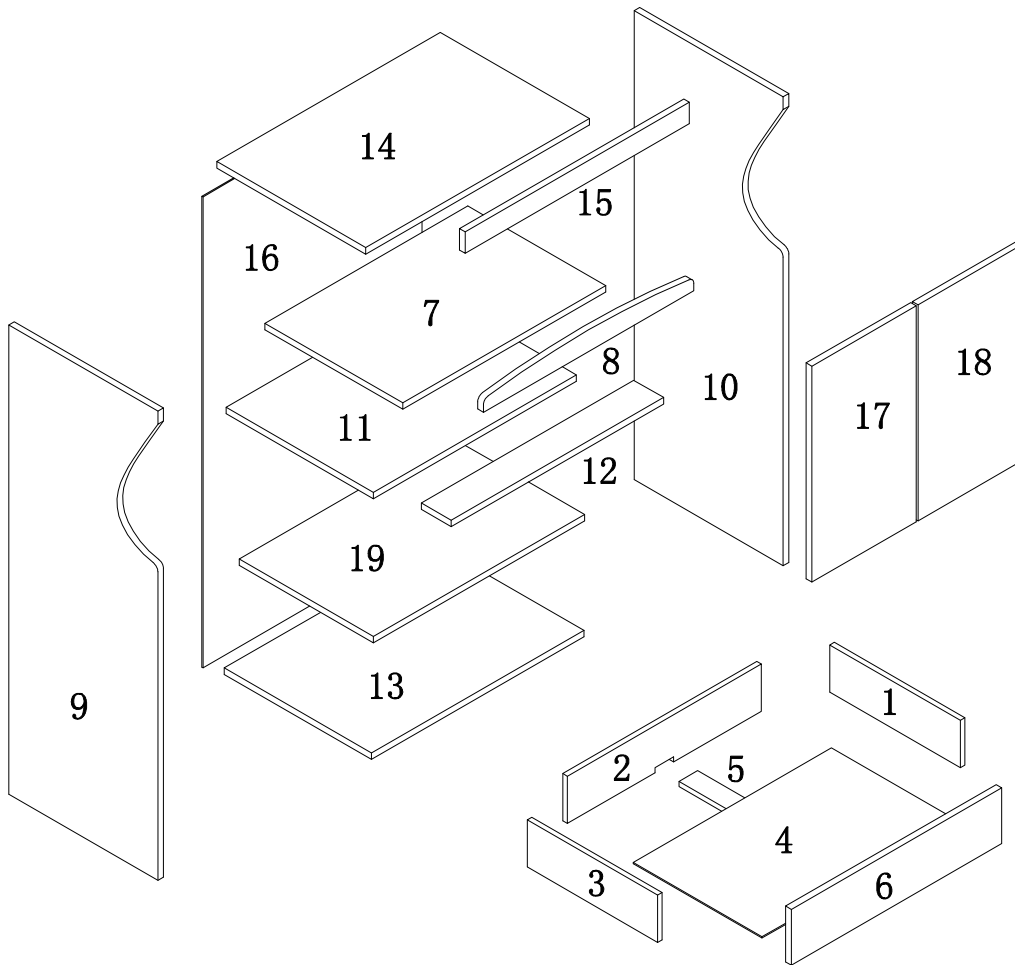
Tip #3: Read manual before assembling, it helps!

ITEM#: MS18-LCH3/MS18-BE3/  
MS18-WHT3/MS18-RC3/MS18-MHG



# PARTS IDENTIFICATION

ITEM#:MS18-LCH3/MS18-BE3/  
MS18-WHT3/MS18-RC3/MS18-MHG

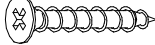
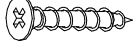
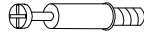



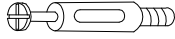






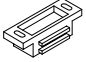

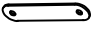




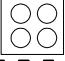



(1)	1pc	(8)	1pc	(15)	1pc
(2)	1pc	(9)	1pc	(16)	1pc
(3)	1pc	(10)	1pc	(17)	1pc
(4)	1pc	(11)	1pc	(18)	1pc
(5)	1pc	(12)	1pc	(19)	1pc
(6)	1pc	(13)	1pc		
(7)	1pc	(14)	1pc		

# HARDWARE IDENTIFICATION

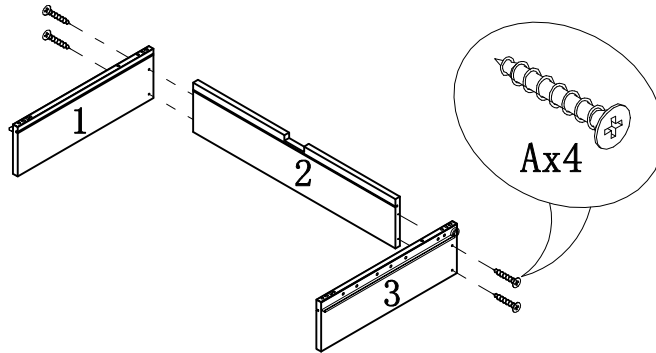
ITEM#: MS18-LCH3/MS18-BE3/

MS18-WHT3/MS18-RC3/MS18-MHG

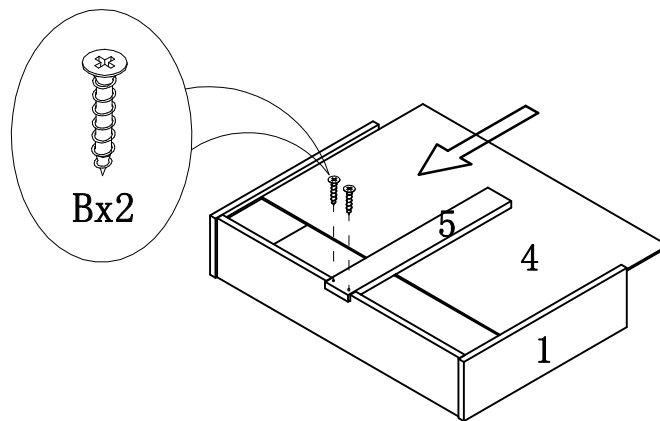
A		ø4×30	4pcs
B		ø4×25	2pcs
C		L20	4pcs
D		ø12	4pcs
E		ø4×25	3pcs
F			3pcs
G		L29	18pcs
H		ø15	18pcs
I			40pcs
J		ø4×16	16pcs
K			2pcs
L			2pcs
M			2SET
N			1pcs
O		ø3×16	2pcs
P			2pcs
Q		ø3×14	4pcs
R		ø5	4pcs
S		ø8×25	16pcs
T		ø6×30	2pcs
U		ø18	4pcs
V		Glue: For securing please apply to wood dowel first before inserting into panel	1pc

# ASSEMBLY INSTRUCTION

ITEM#: MS18-LCH3/MS18-BE3/  
MS18-WHT3/MS18-RC3/MS18-MHG

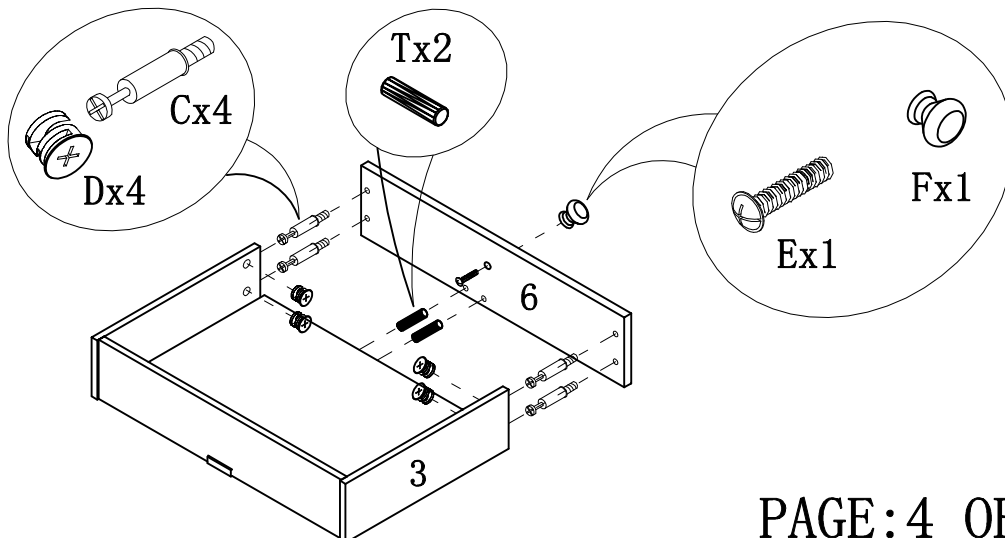


STEP1



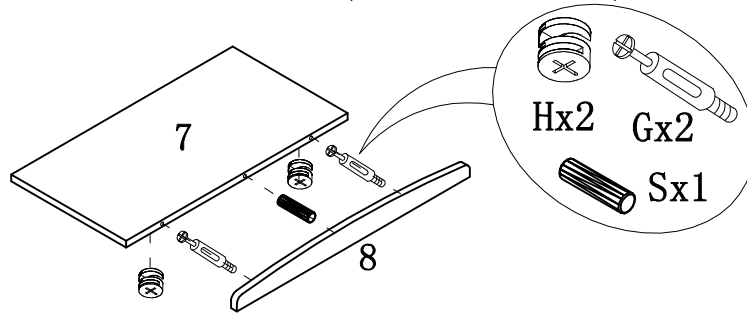
STEP2

STEP3

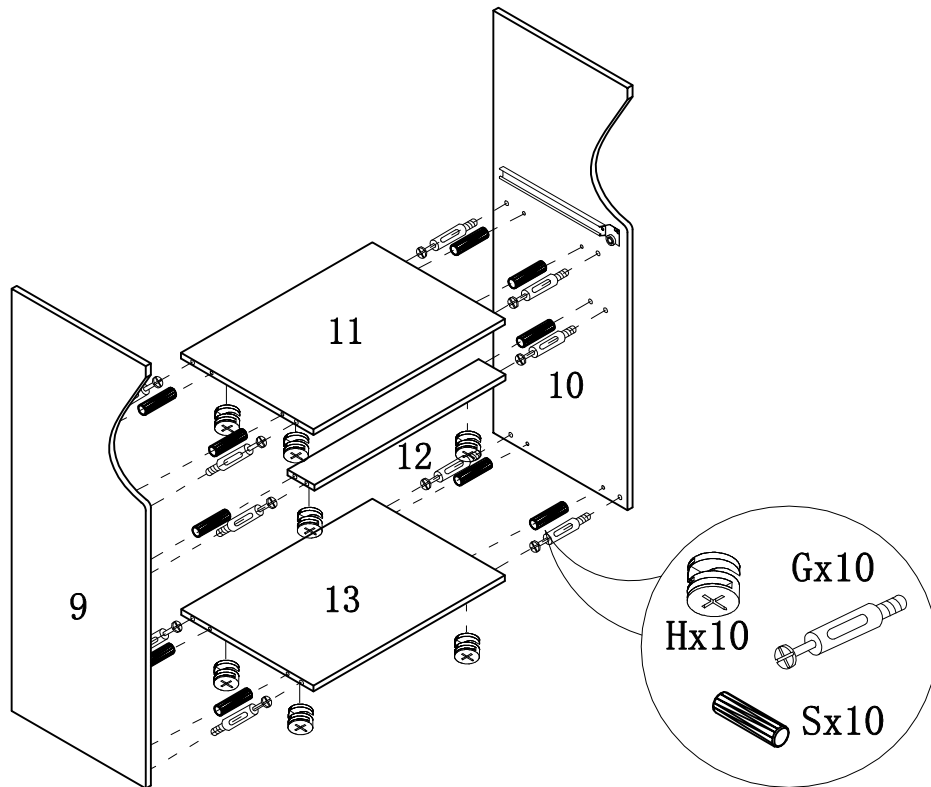


# ASSEMBLY INSTRUCTION

ITEM#: MS18-LCH3/MS18-BE3/  
MS18-WHT3/MS18-RC3/MS18-MHG

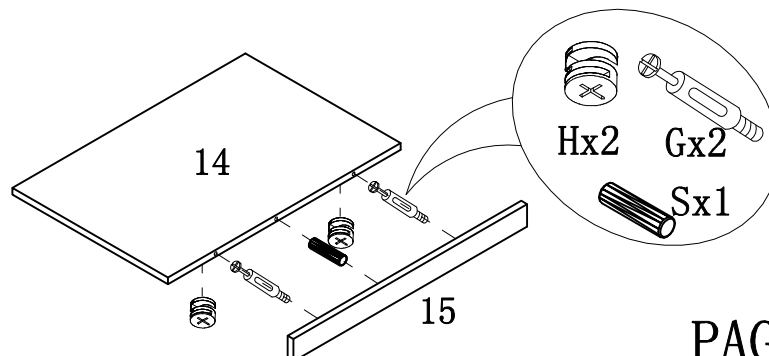


STEP4



STEP5

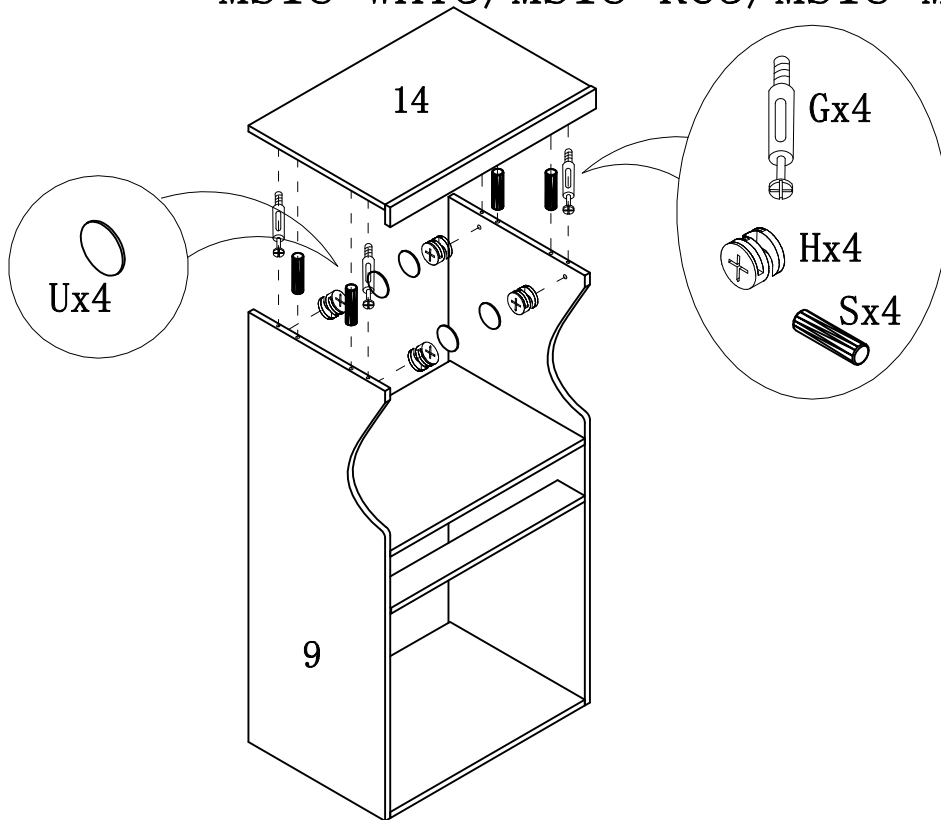
STEP6



# ASSEMBLY INSTRUCTION

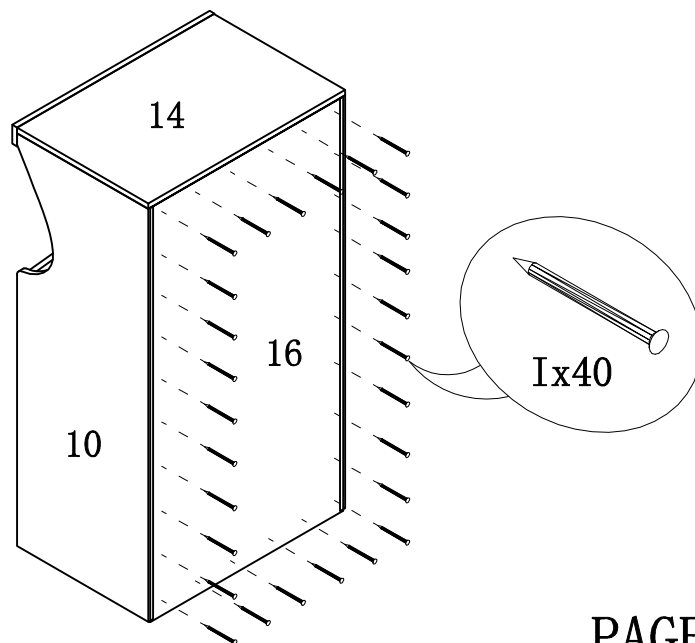
ITEM#: MS18-LCH3/MS18-BE3/

MS18-WHT3/MS18-RC3/MS18-MHG



STEP7

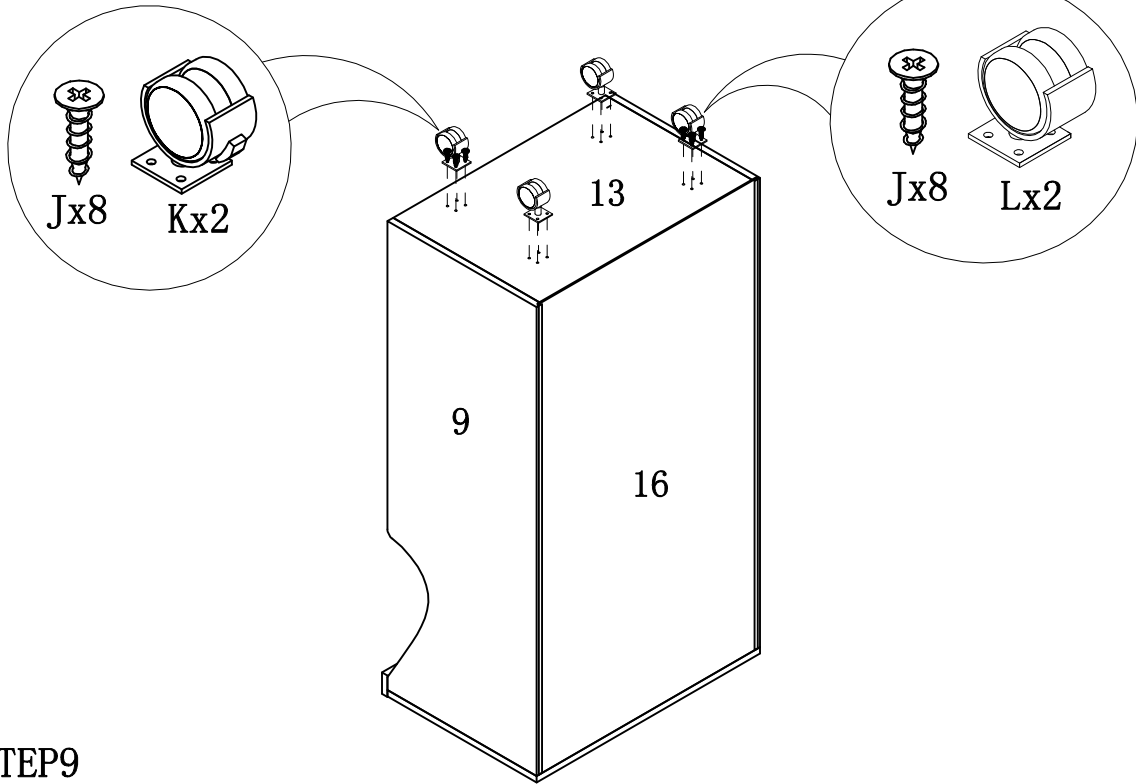
STEP8



# ASSEMBLY INSTRUCTION

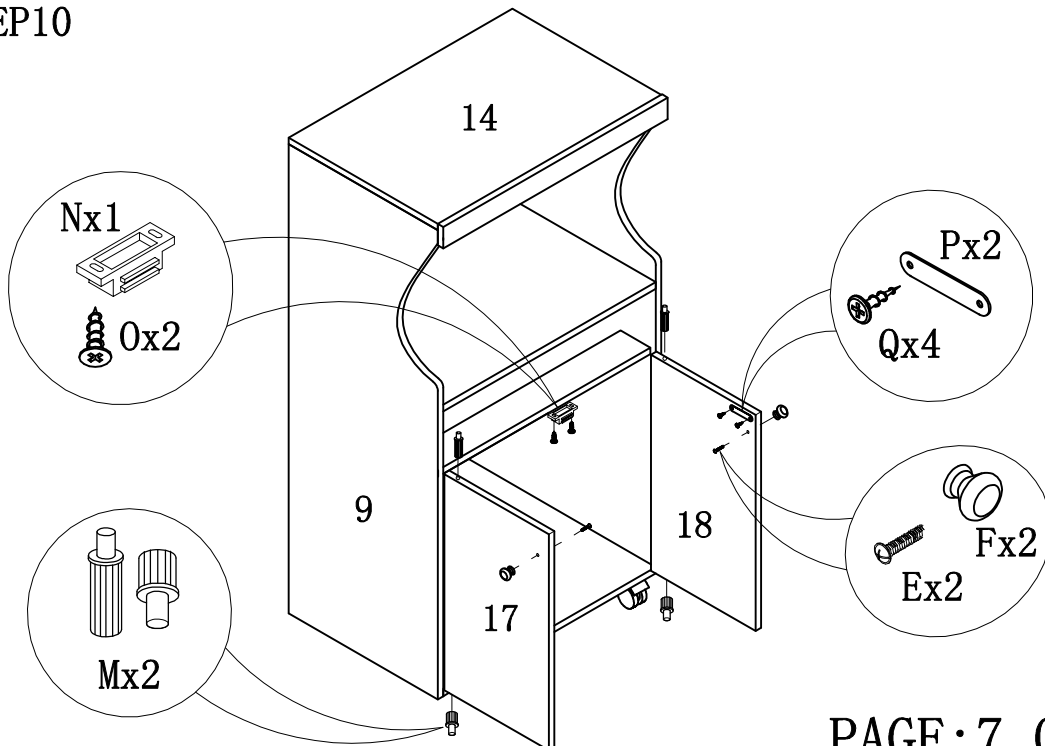
ITEM#: MS18-LCH3/MS18-BE3/

MS18-WHT3/MS18-RC3/MS18-MHG



STEP9

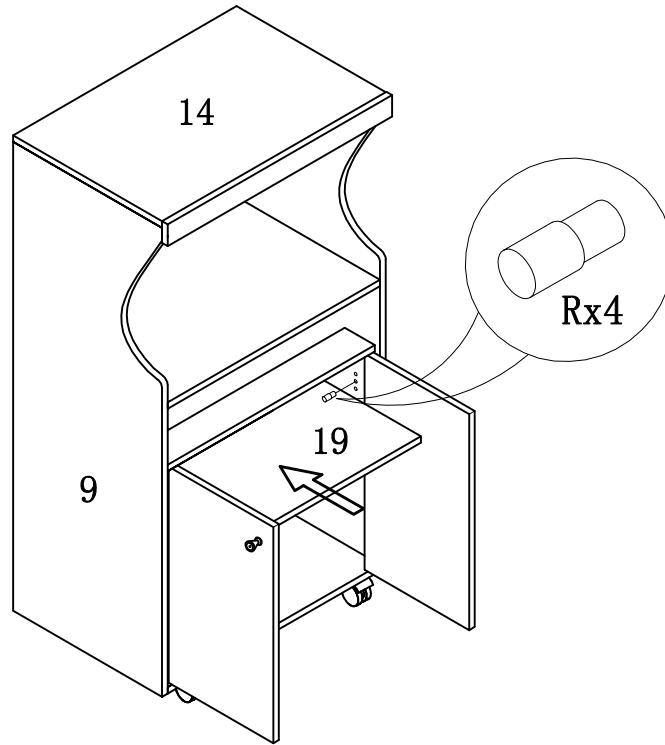
STEP10



PAGE: 7 OF 8

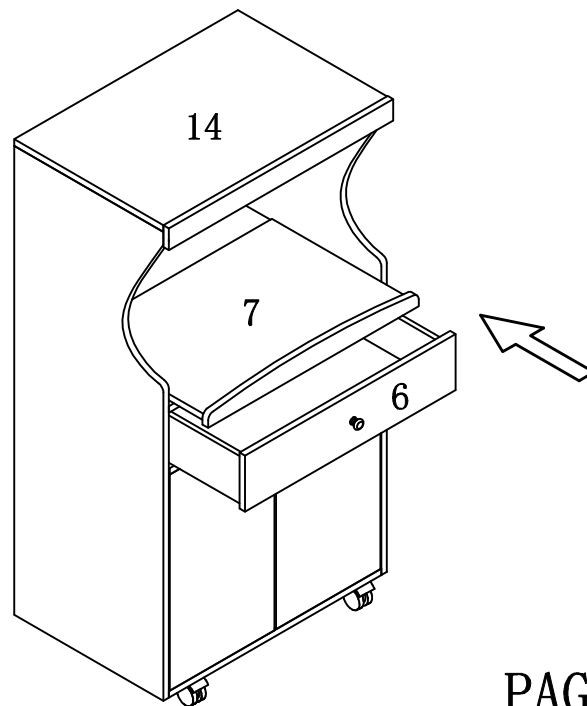
# ASSEMBLY INSTRUCTION

ITEM#: MS18-LCH3/MS18-BE3/  
MS18-WHT3/MS18-RC3/MS18-MHG



STEP11

STEP12



PAGE:8 OF 8