

ASSEMBLY INSTRUCTION

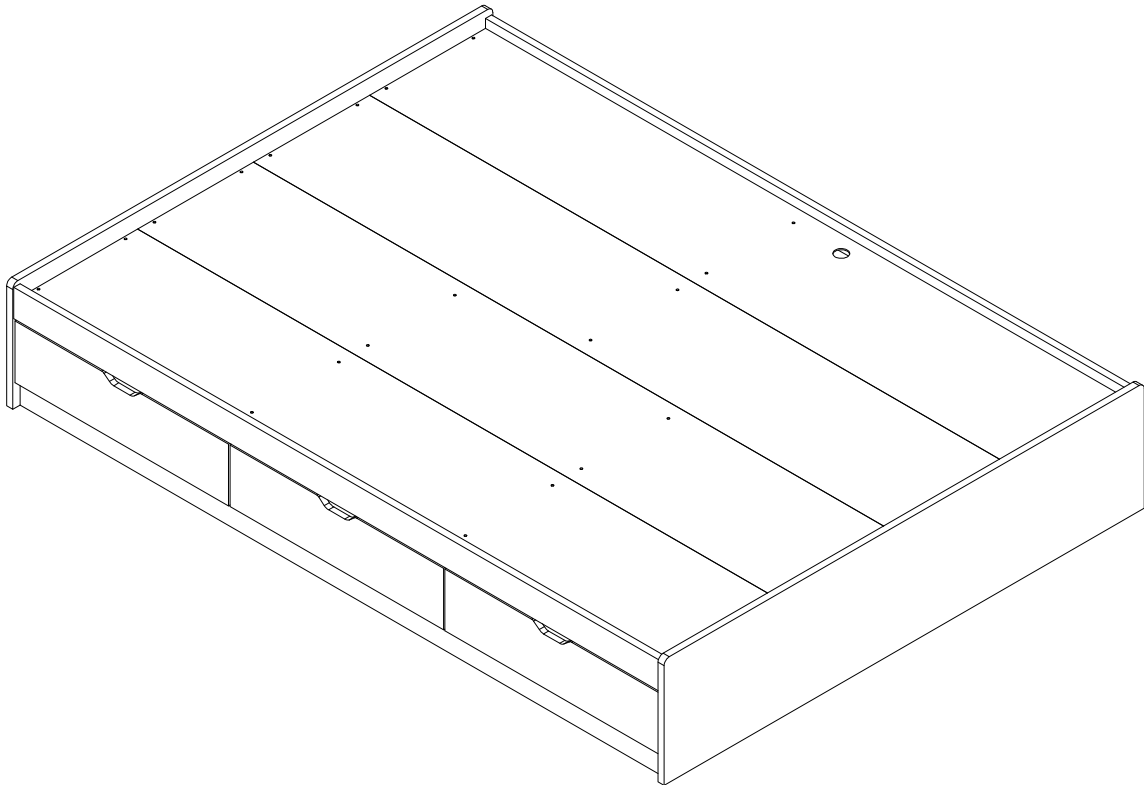
PLEASE READ BEFORE ASSEMBLING!

Tip #1: Make sure you've taken all the pieces and hardware out of its packaging before discarding the box. Assembly on top of flattened box/blanket is recommended.

Tip #2: Using page 2 and/or page 3 of instruction manual make sure all pieces and hardware are accounted for.

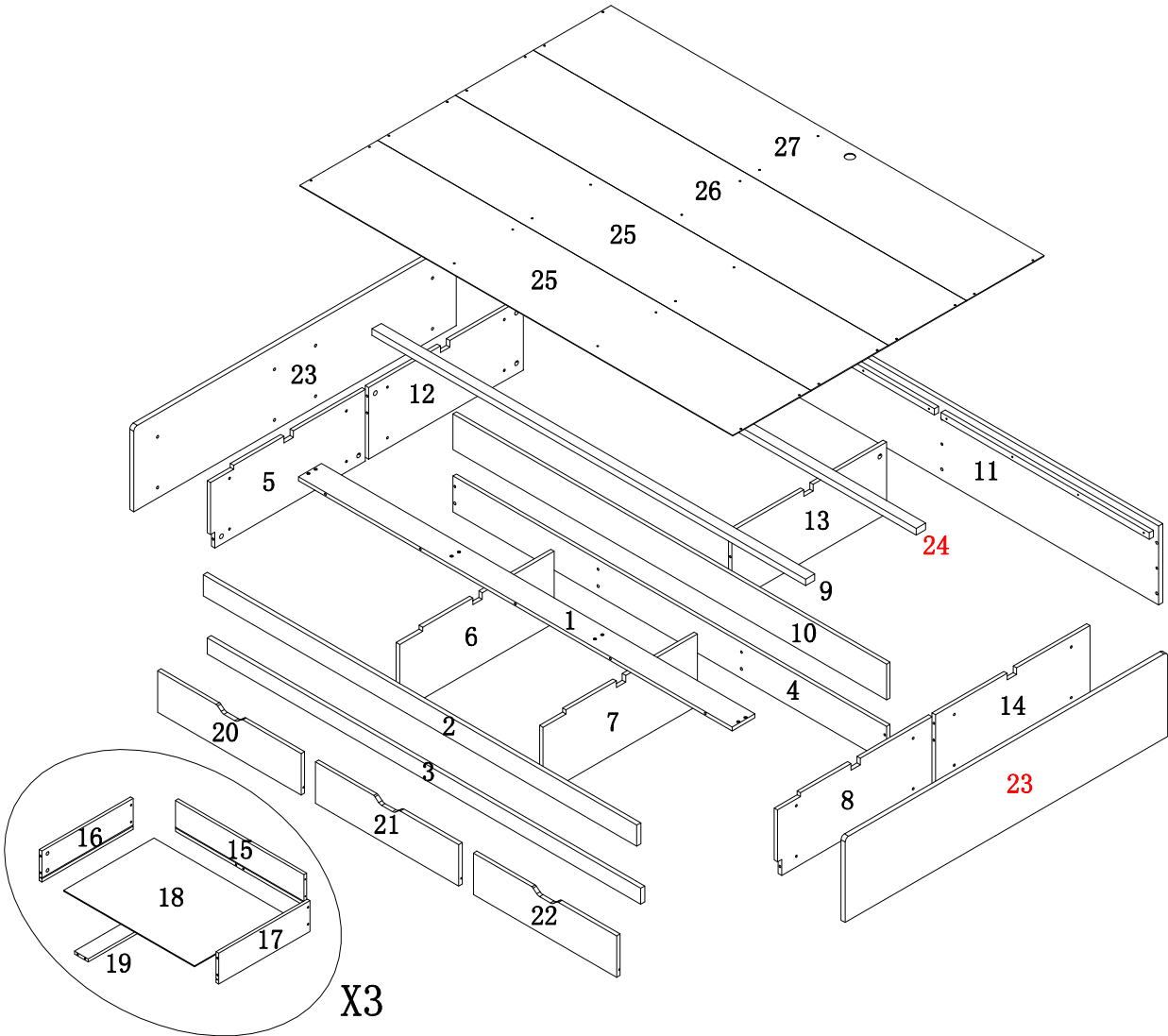
Tip #3: Note position of all holes on each panel during assembly.

ITEM#: Y1102F Y1402F Y1502F



PARTS IDENTIFICATION



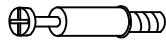

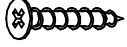
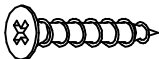


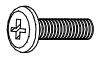


ITEM#: Y1102F Y1402F Y1502F



(1)	1pc	(10)	1pc	(19)	3pcs
(2)	1pc	(11)	1pc	(20)	1pc
(3)	1pc	(12)	1pc	(21)	1pc
(4)	1pc	(13)	1pc	(22)	1pc
(5)	1pc	(14)	1pc	(23)	2pcs
(6)	1pc	(15)	3pcs	(24)	1pc
(7)	1pc	(16)	3pcs	(25)	2pcs
(8)	1pc	(17)	3pcs	(26)	1pc
(9)	1pc	(18)	3pcs	(27)	1pc

HARDWARE IDENTIFICATION

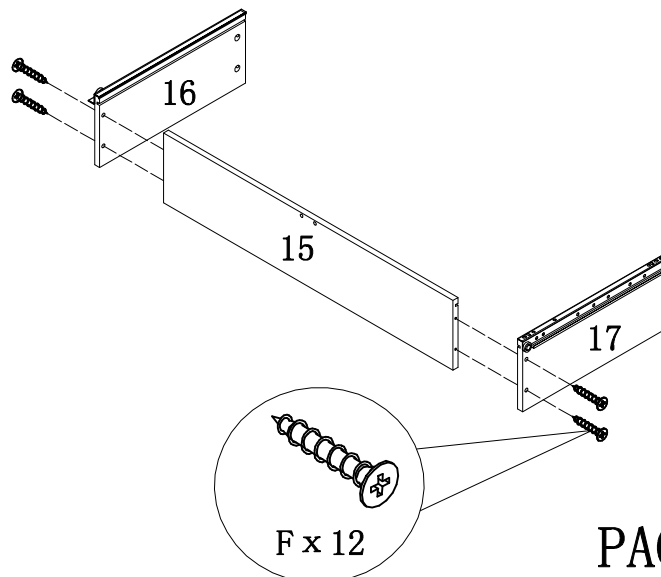
ITEM#: Y1102F Y1402F Y1502F

A		L29	20pcs
B		ø15	20pcs
C		L20	12pcs
D		ø12	12pcs
E		ø4 x 20	28pcs
F		ø4 x 30	26pcs
H		ø8 x 25	12pcs
I		ø6 x 30	6pcs
J		M6 x 25	16pcs
K		ø16	22pcs
L		Glue: For securing please apply to wood dowel first before inserting into panel	1pc

ASSEMBLY INSTRUCTION

ITEM#: Y1102F Y1402F Y1502F

x3



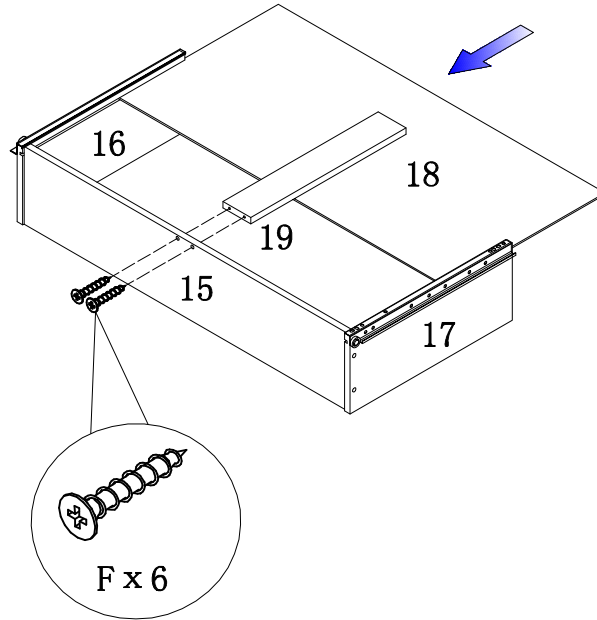
STEP1

PAGE 3 OF 12

ASSEMBLY INSTRUCTION

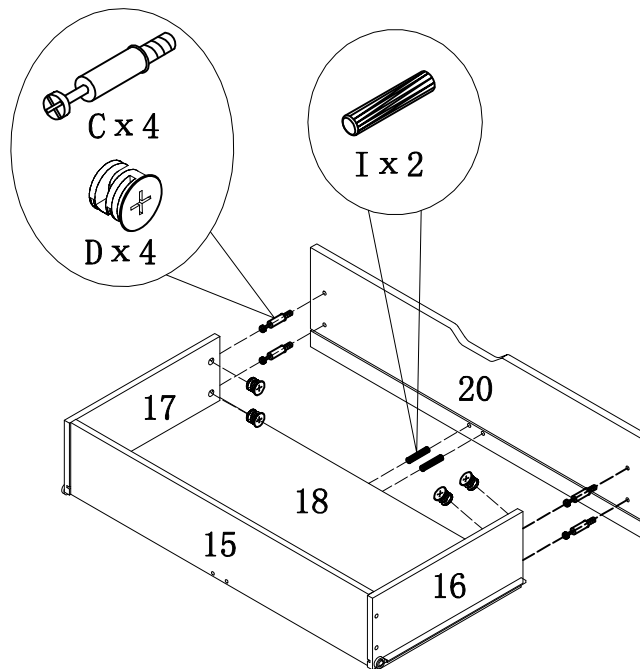
ITEM#: Y1102F Y1402F Y1502F

x3



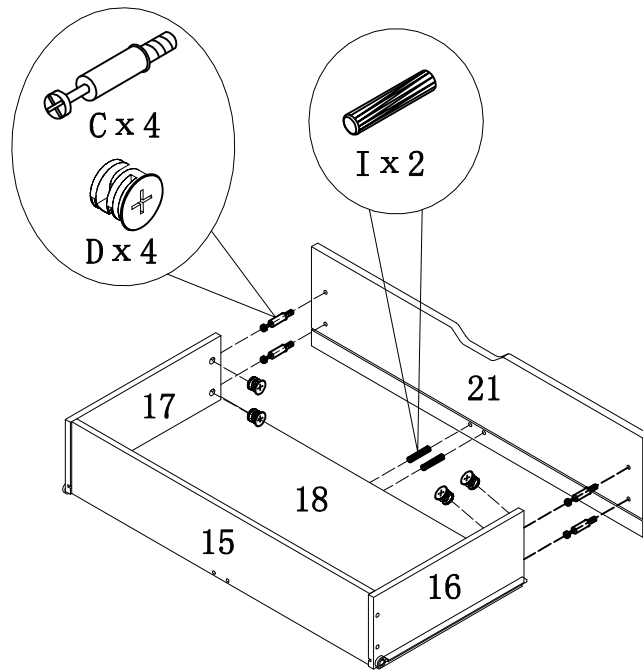
STEP2

STEP3



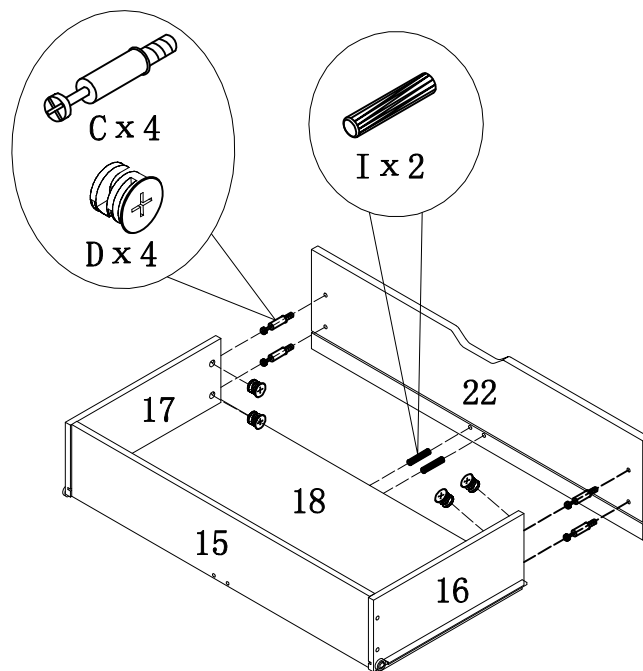
ASSEMBLY INSTRUCTION

ITEM#: Y1102F Y1402F Y1502F



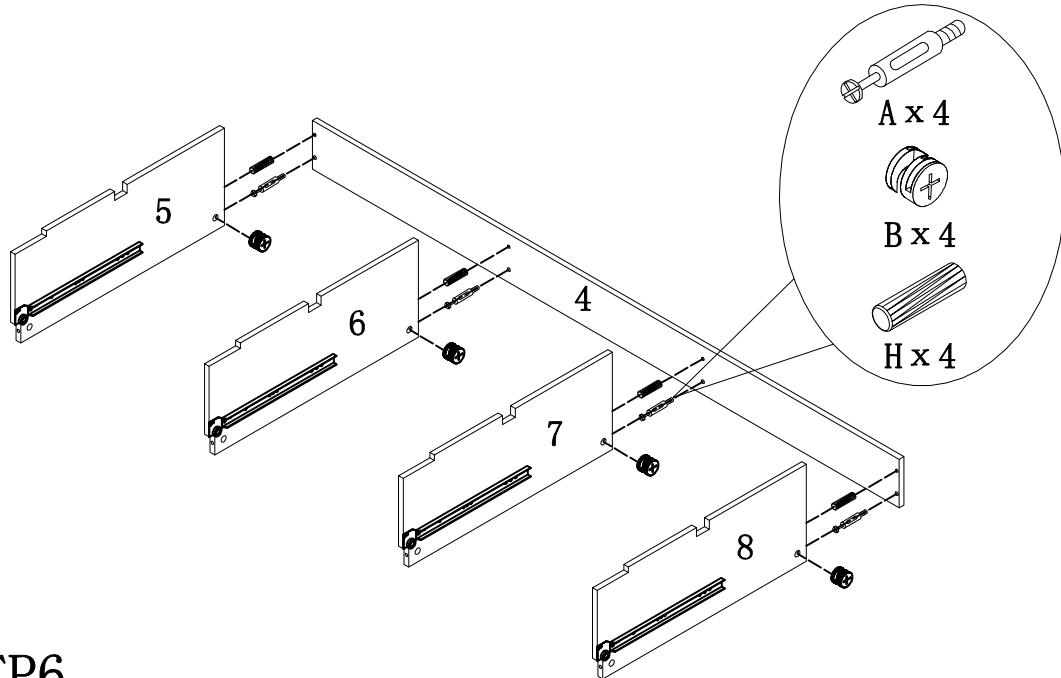
STEP4

STEP5



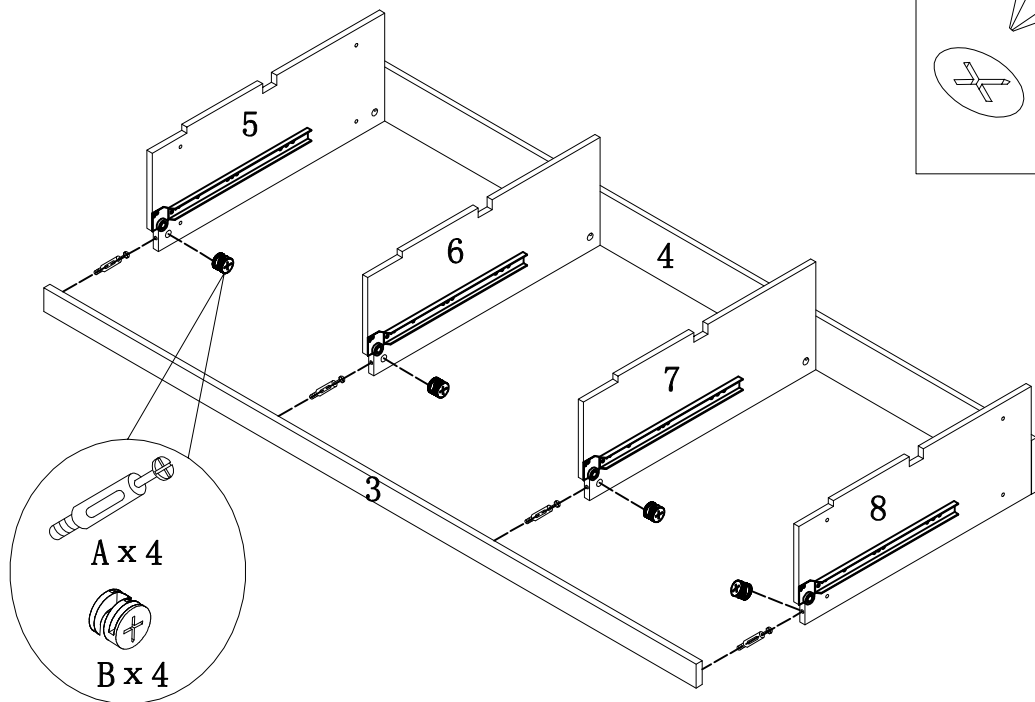
ASSEMBLY INSTRUCTION

ITEM#: Y1102F Y1402F Y1502F



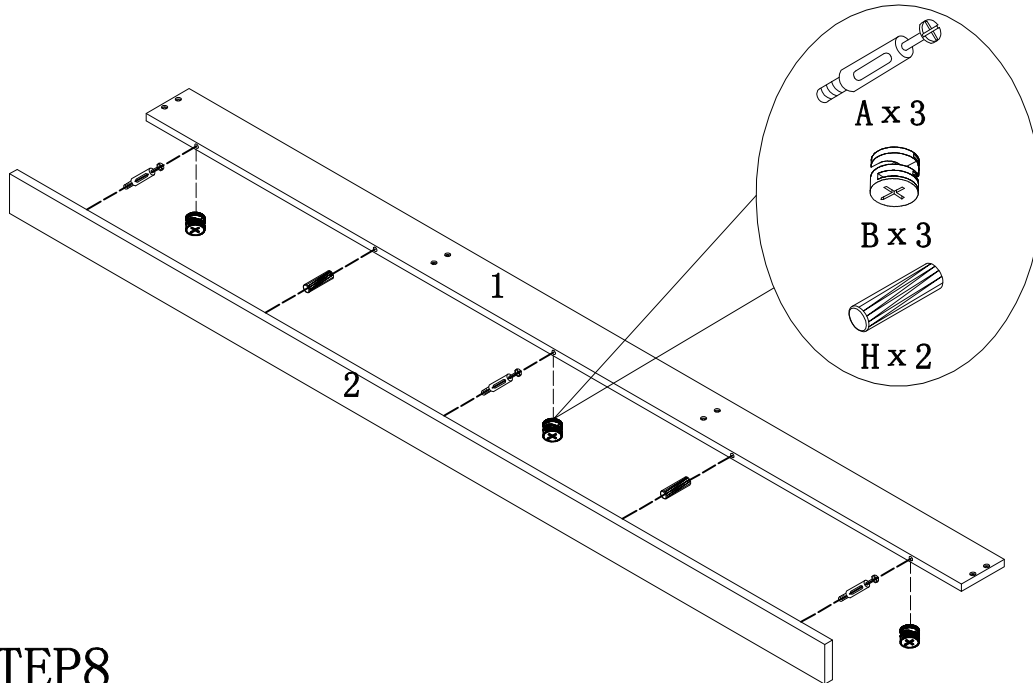
STEP6

STEP7



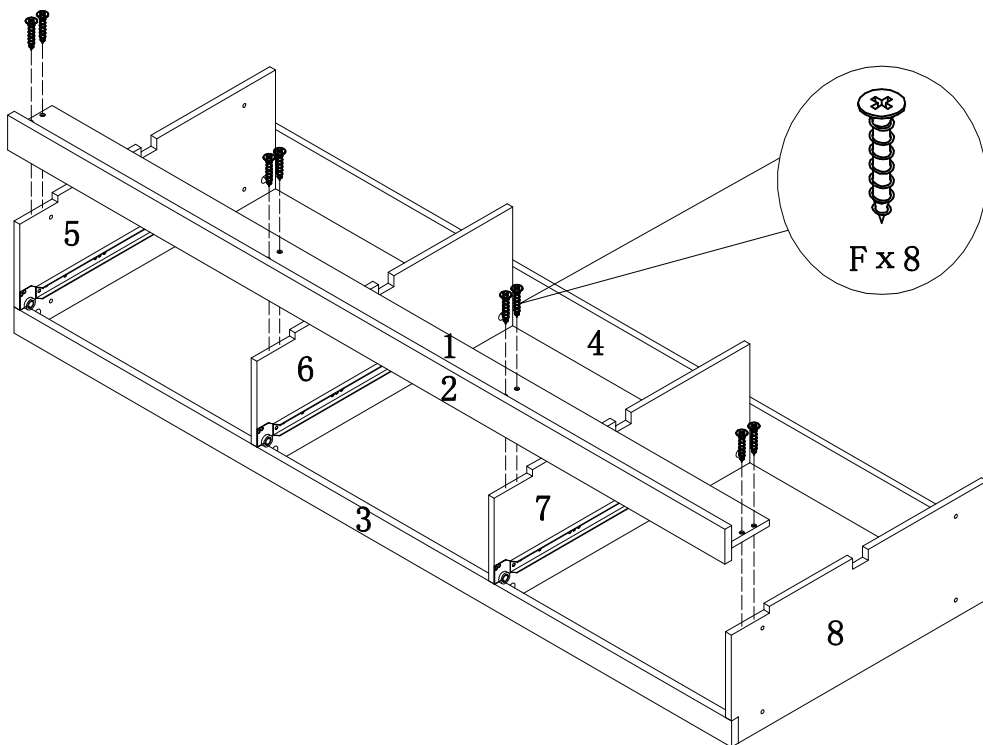
ASSEMBLY INSTRUCTION

ITEM#: Y1102F Y1402F Y1502F



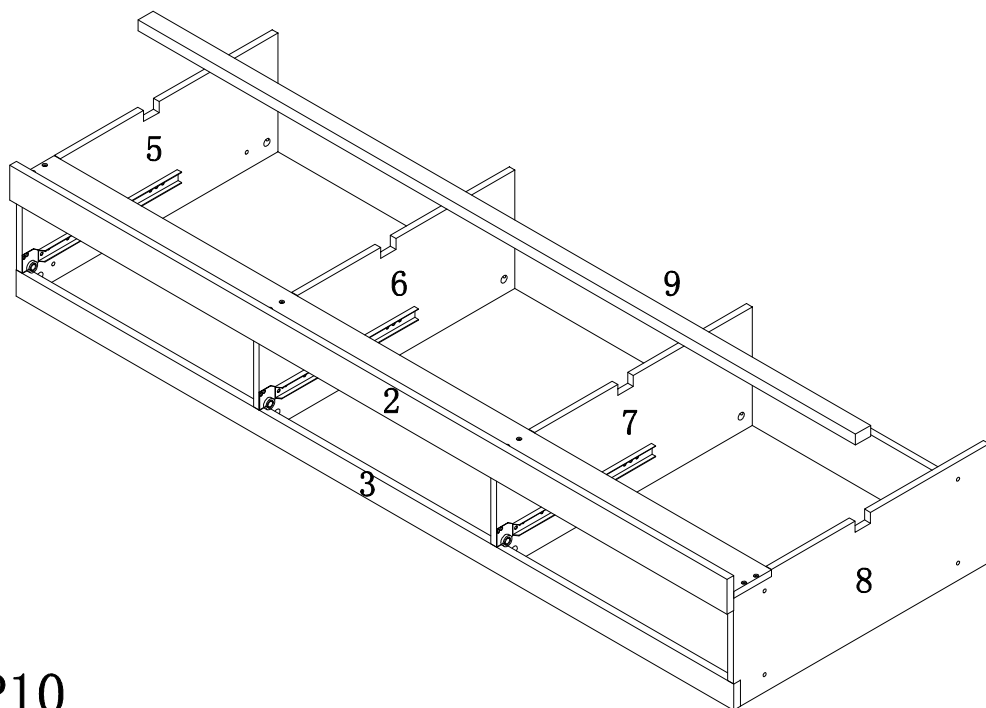
STEP8

STEP9



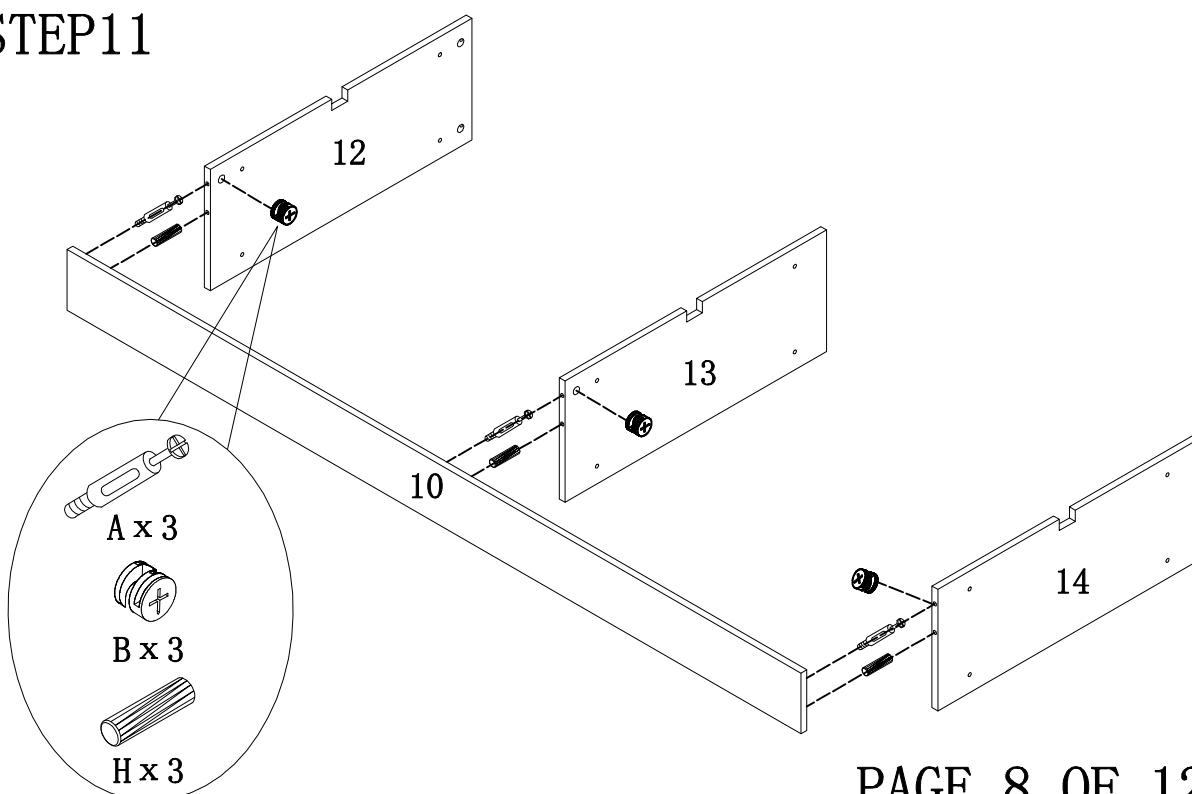
ASSEMBLY INSTRUCTION

ITEM#: Y1102F Y1402F Y1502F



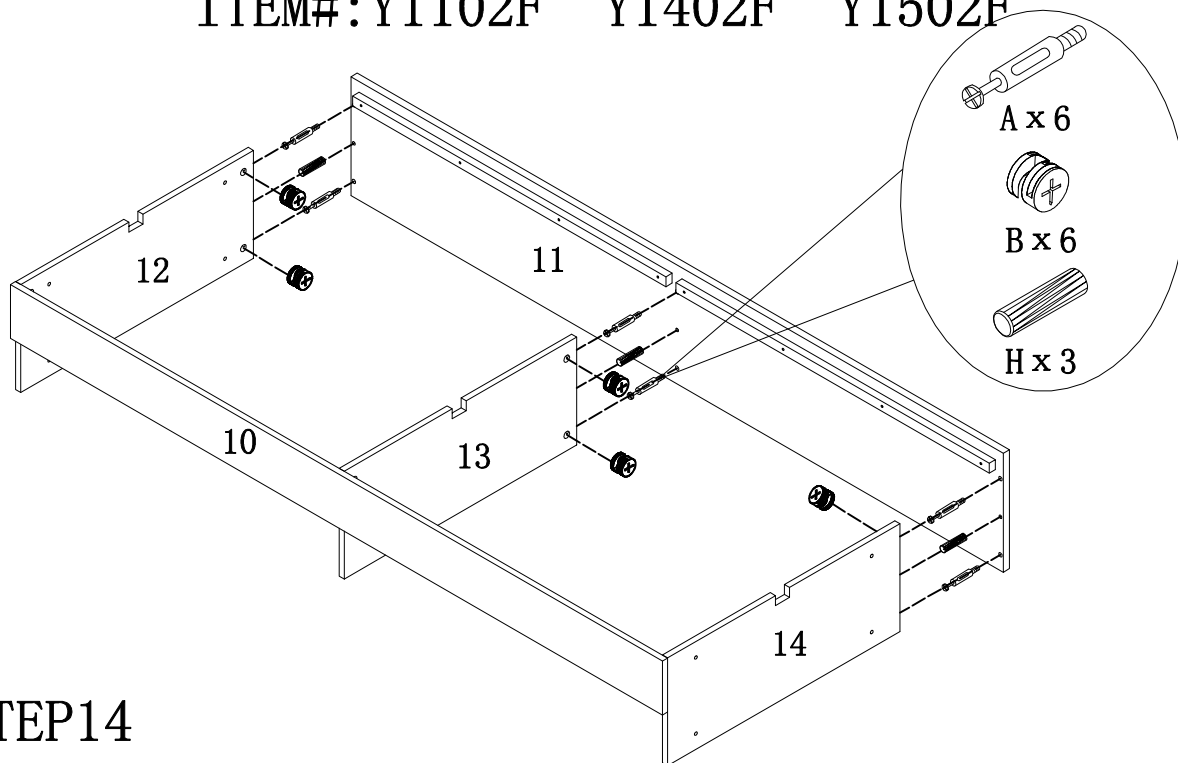
STEP 10

STEP 11



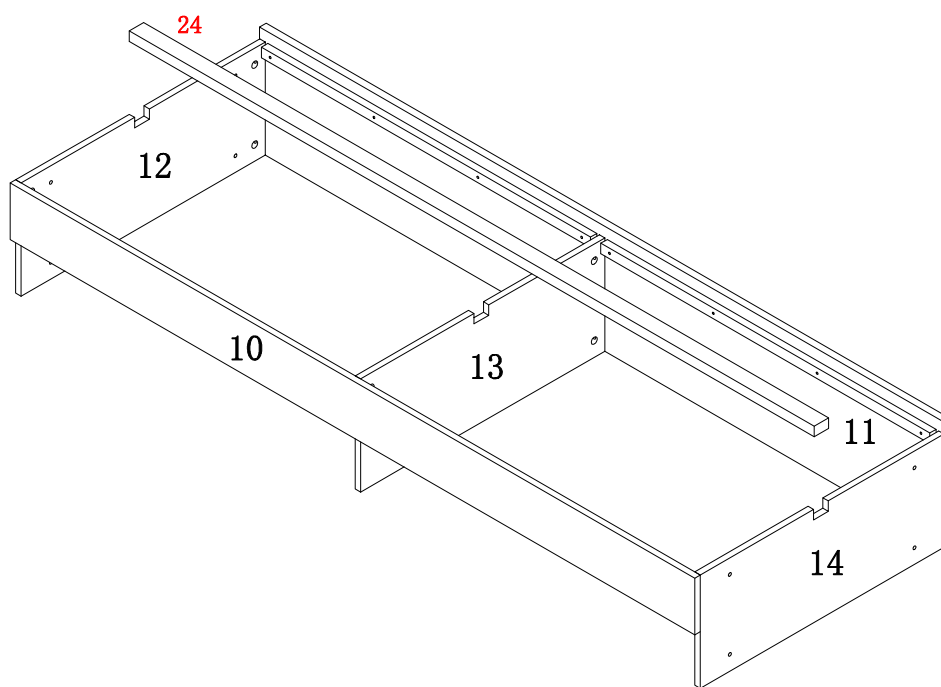
ASSEMBLY INSTRUCTION

ITEM#: Y1102F Y1402F Y1502F



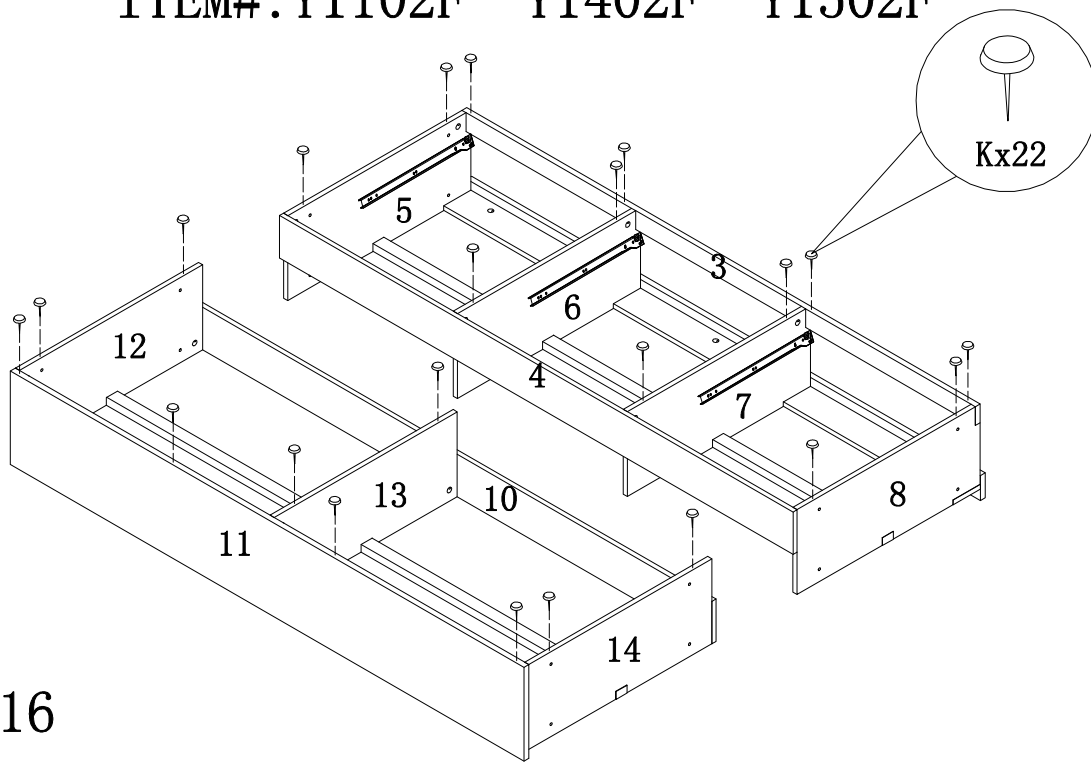
STEP14

STEP15



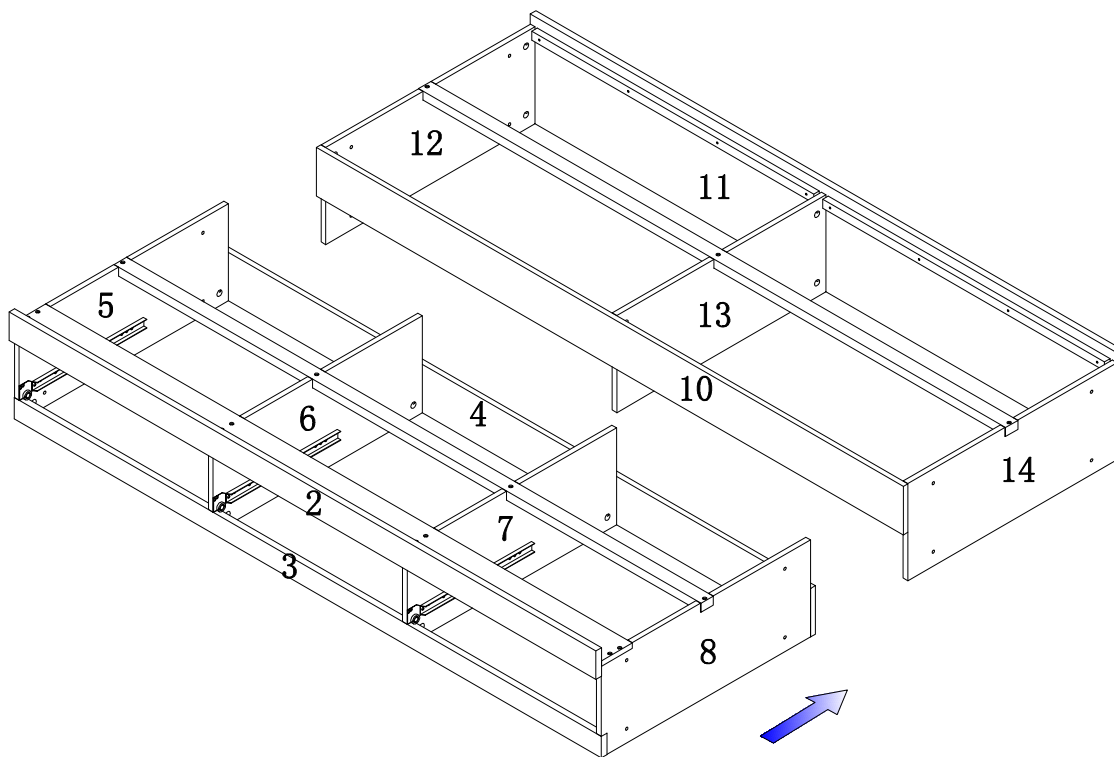
ASSEMBLY INSTRUCTION

ITEM#: Y1102F Y1402F Y1502F



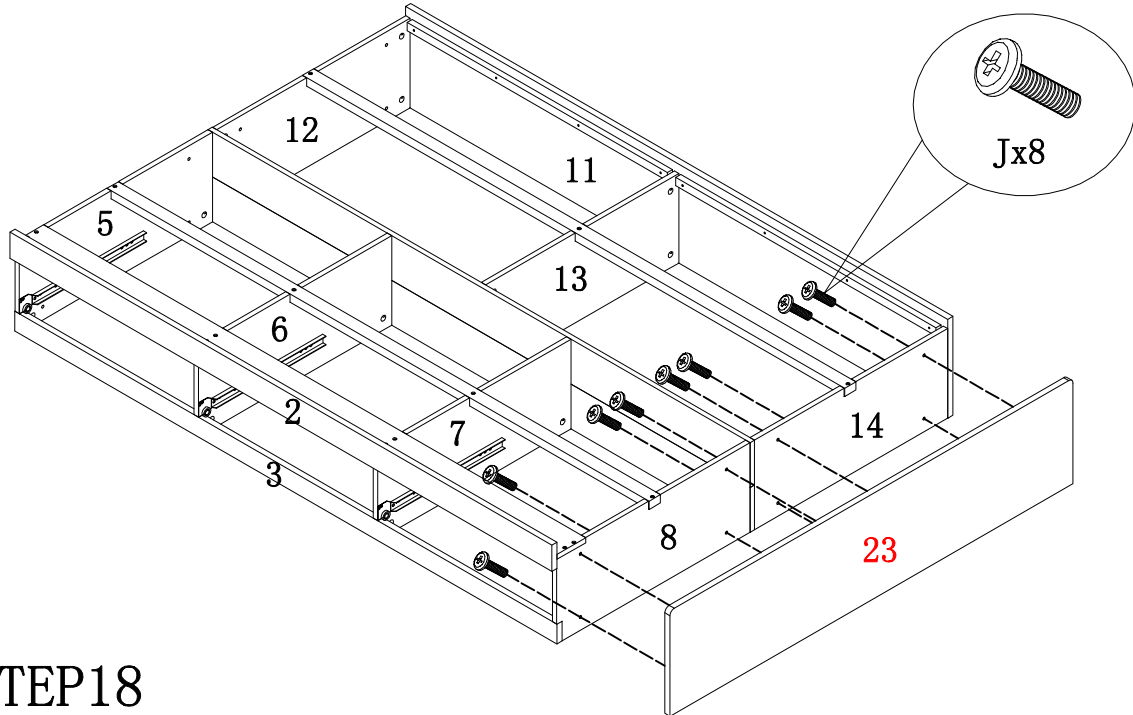
STEP 16

STEP 17



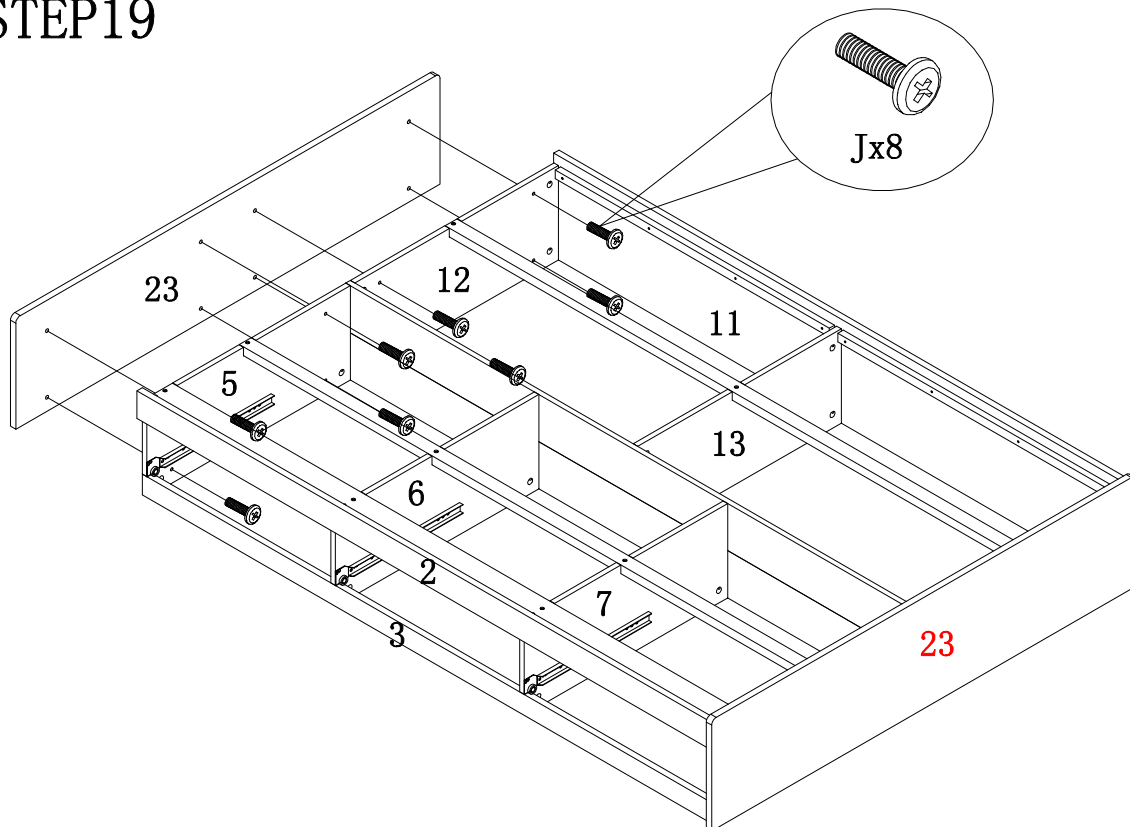
ASSEMBLY INSTRUCTION

ITEM#: Y1102F Y1402F Y1502F



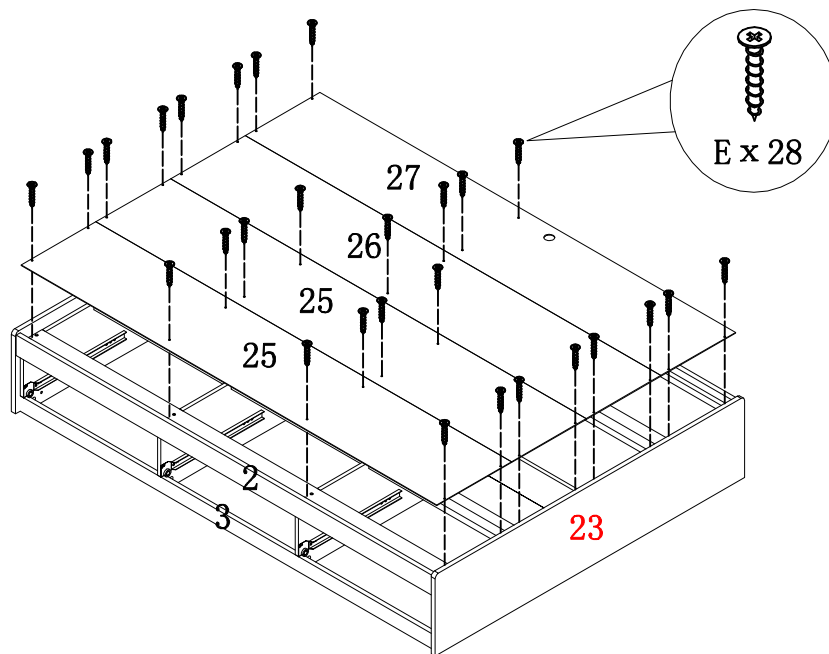
STEP18

STEP19



ASSEMBLY INSTRUCTION

ITEM#: Y1102F Y1402F Y1502F



STEP20

STEP21

