

# ASSEMBLY INSTRUCTION

---

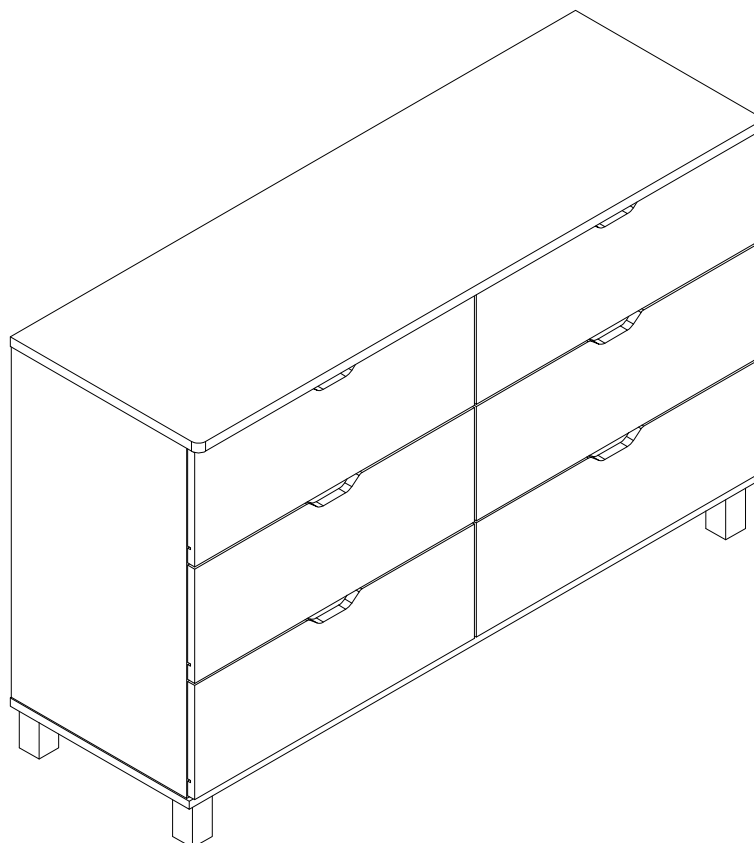
## **PLEASE READ BEFORE ASSEMBLING!**

Tip #1: Make sure you've taken all the pieces and hardware out of its packaging before discarding the box. Assembly on top of flattened box/blanket is recommended.

Tip #2: Using page 2 and/or page 3 of instruction manual make sure all pieces and hardware are accounted for.

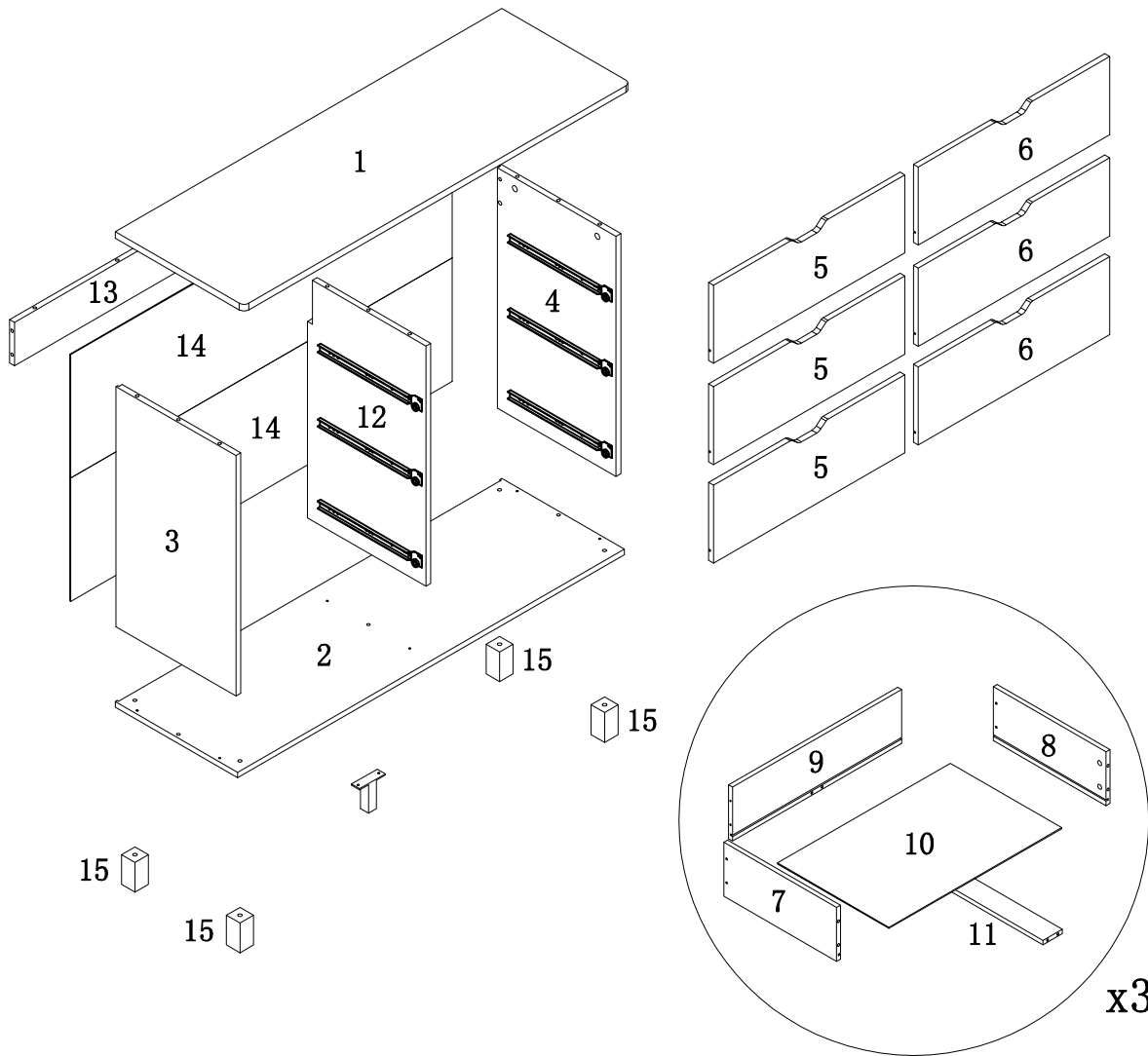
Tip #3: Note position of all holes on each panel during assembly.

ITEM#: Y1104



# PARTS IDENTIFICATION

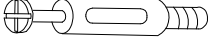

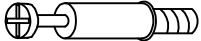



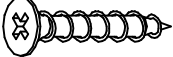
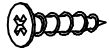





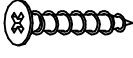
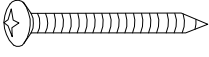
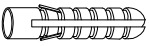
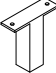

ITEM#: Y1104



(1)	1pc	(9)	6pcs
(2)	1pc	(10)	6pcs
(3)	1pc	(11)	6pcs
(4)	1pc	(12)	1pc
(5)	3pcs	(13)	1pc
(6)	3pcs	(14)	2pcs
(7)	6pcs	(15)	4pcs
(8)	6pcs		

# HARDWARE IDENTIFICATION

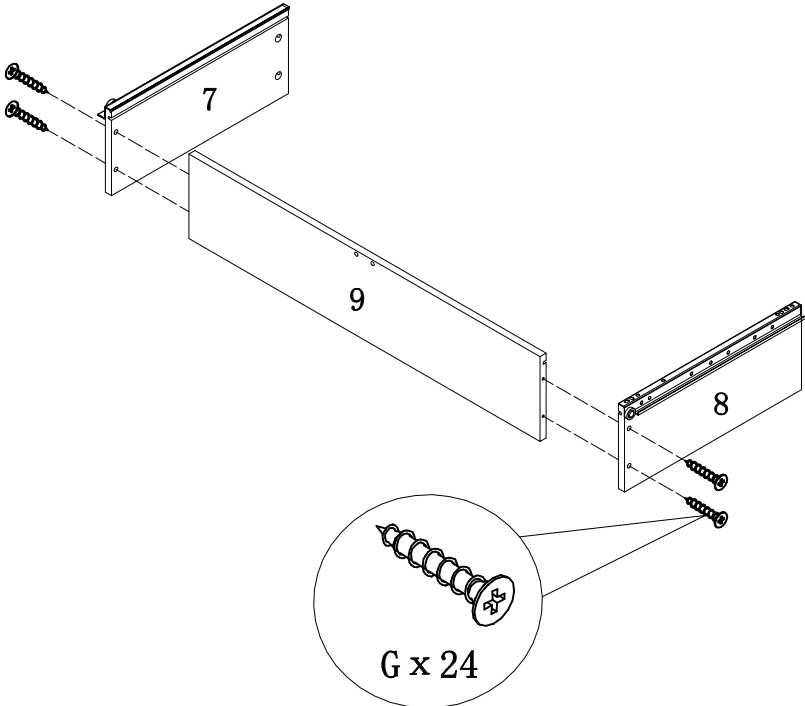
ITEM#: Y1104

A		L29	10pcs
B		∅15	10pcs
C		L20	24pcs
D		∅12	24pcs
E		∅8 × 25	11pcs
F		∅6 × 30	12pcs
G		∅4 x 30	44pcs
H		∅4 x 16	2pcs
I		M8 x 35	4pcs
J		M5	1pc
K		Z1016	35pcs
L		∅16	4pcs
M			1pc
N		∅4 x 25	1pc
O		∅5 x 40	1pc
P		∅8 x 40	1pc
Q		80 x 25 x 82	1pc
R		Glue: For securing please apply to wood dowel first before inserting into panel	1pc

# ASSEMBLY INSTRUCTION

ITEM#: Y1104

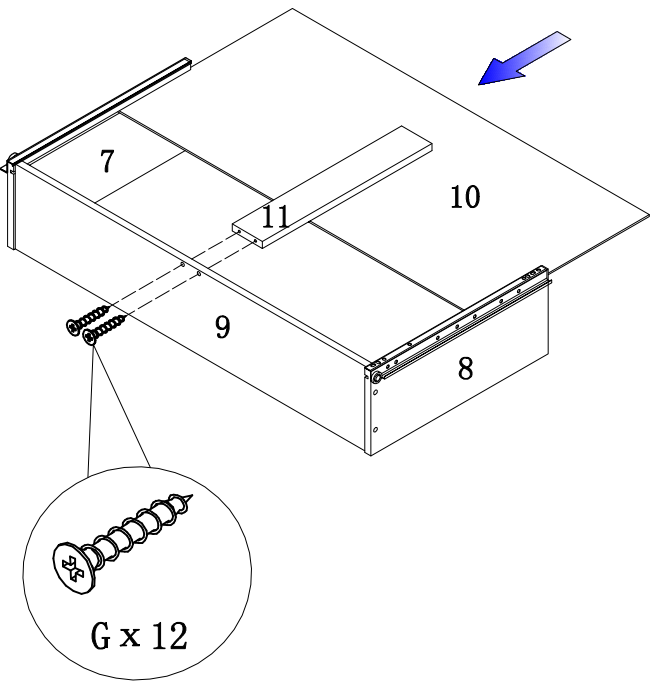
x6



STEP 1

STEP 2

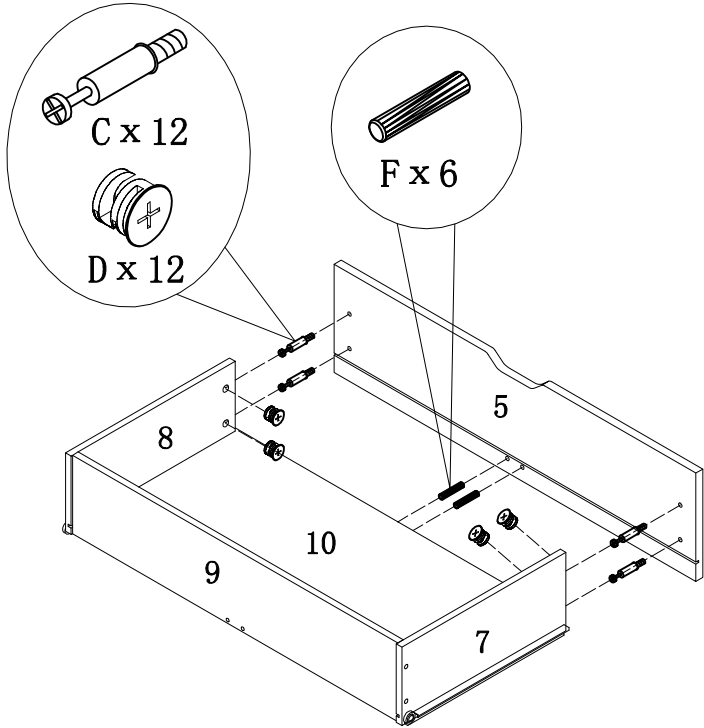
x6



# ASSEMBLY INSTRUCTION

ITEM#: Y1104

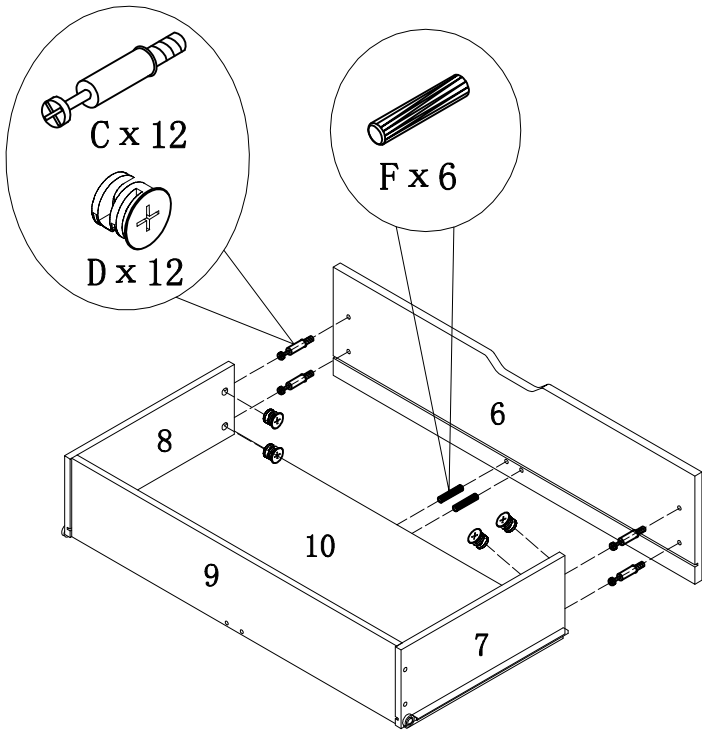
x3



STEP3

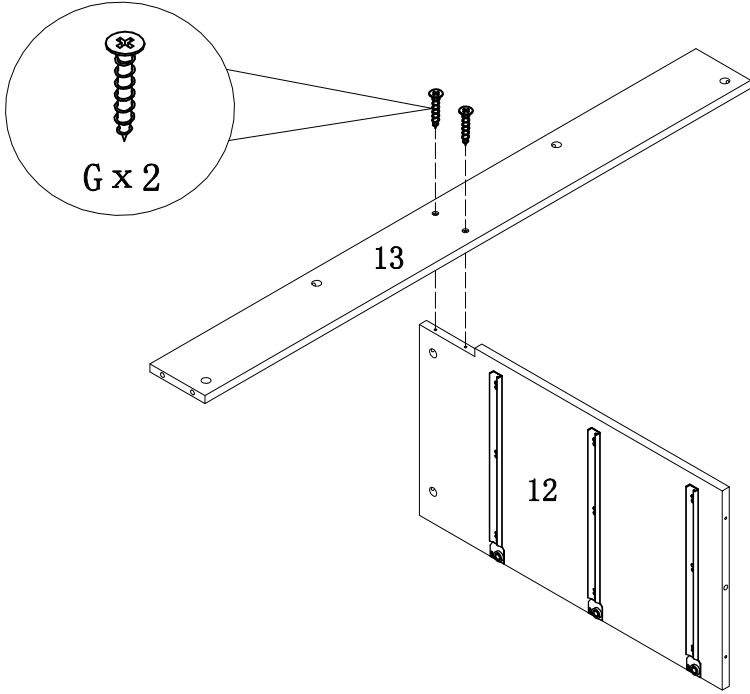
STEP4

x3



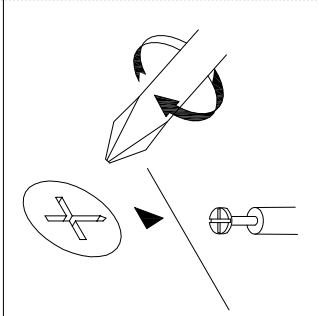
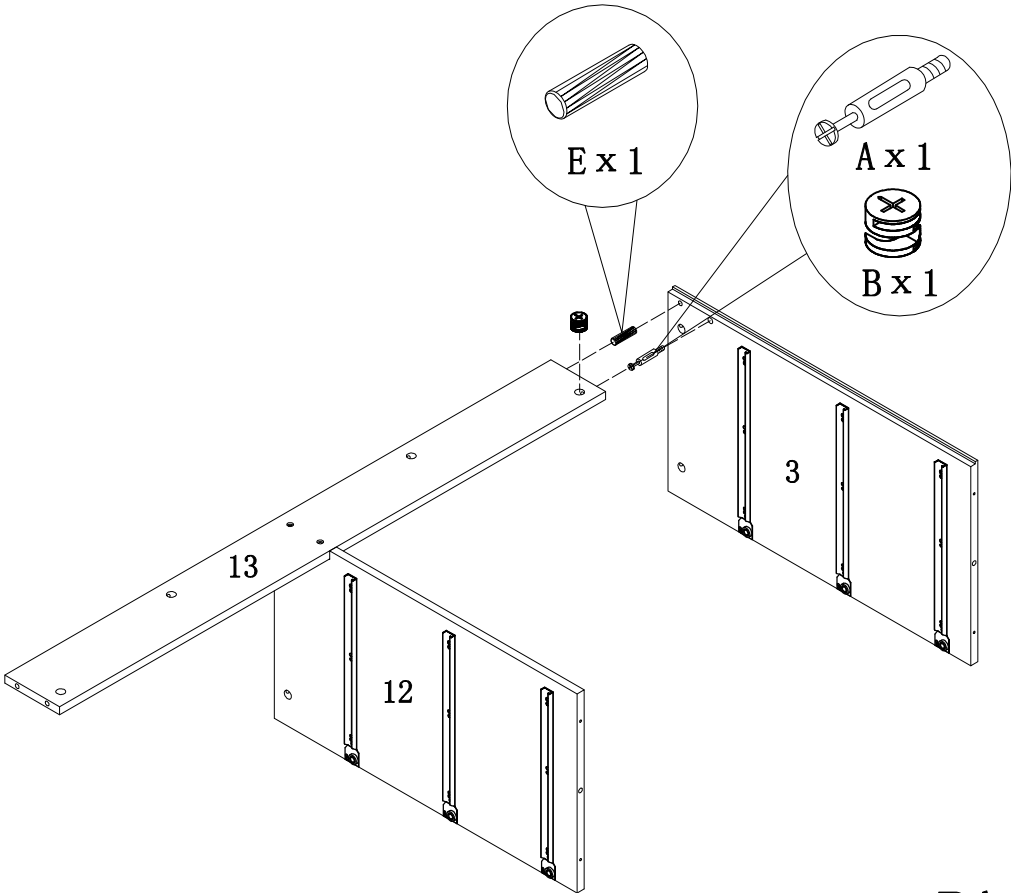
# ASSEMBLY INSTRUCTION

ITEM#: Y1104



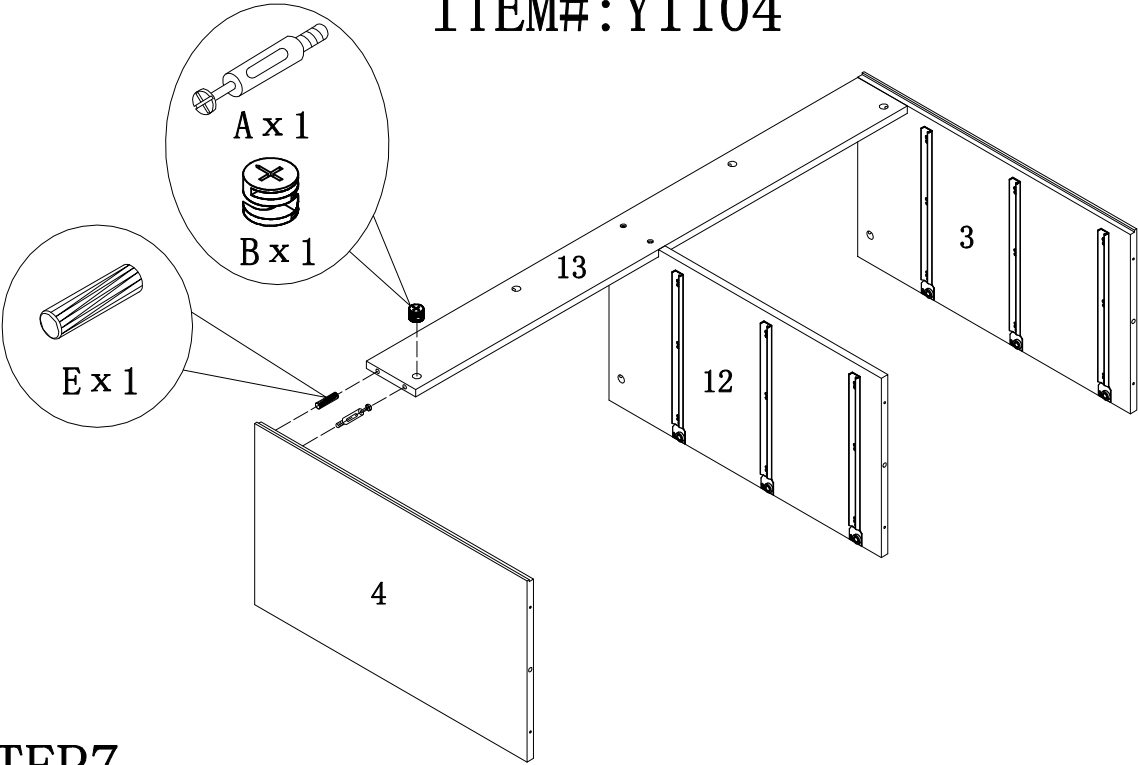
STEP5

STEP6



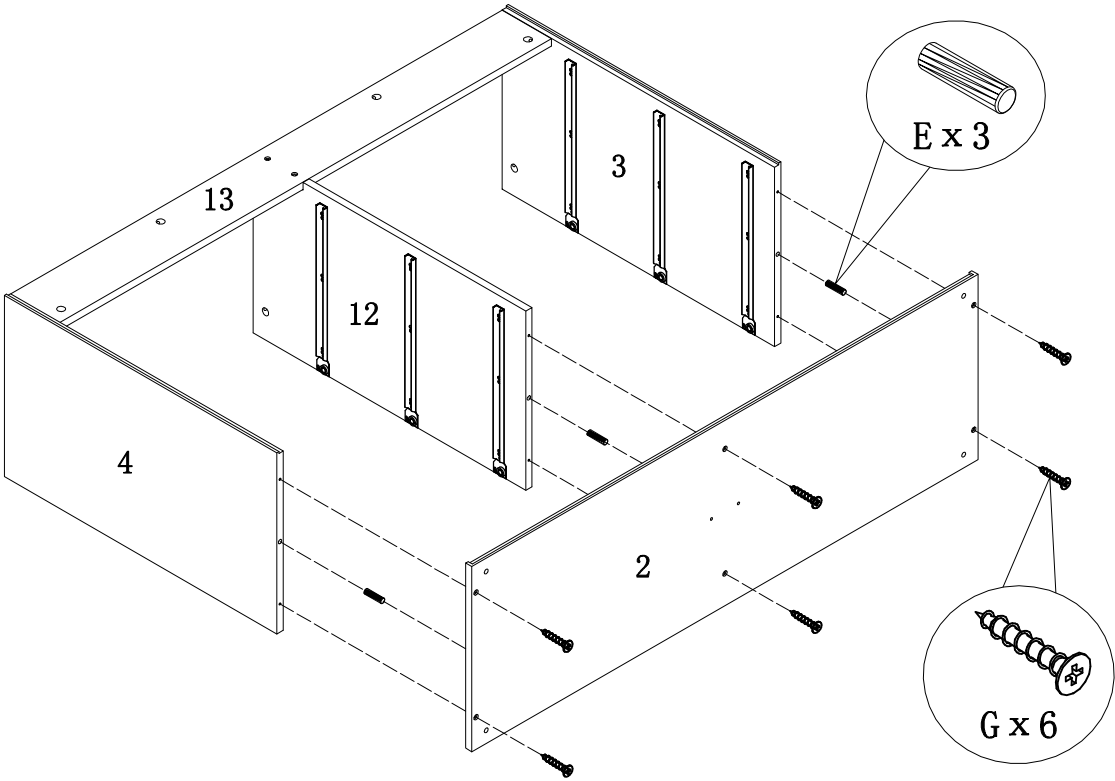
# ASSEMBLY INSTRUCTION

ITEM#: Y1104



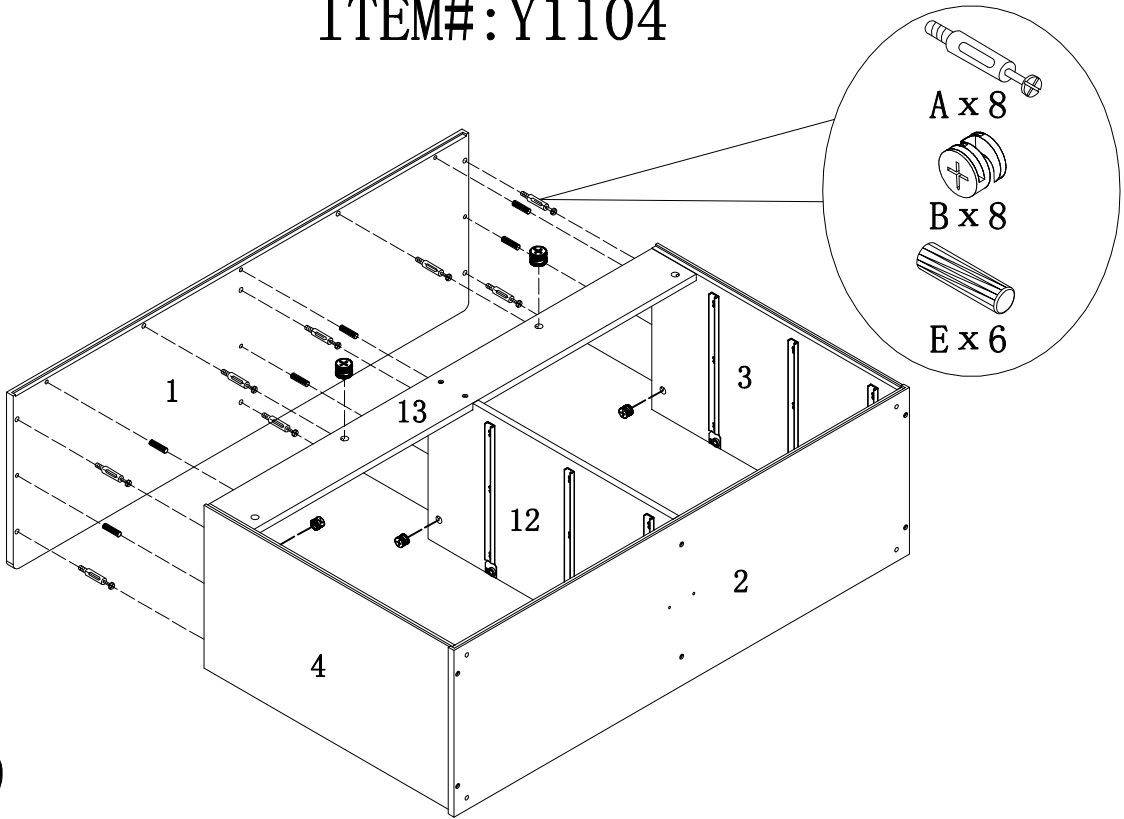
STEP 7

STEP 8



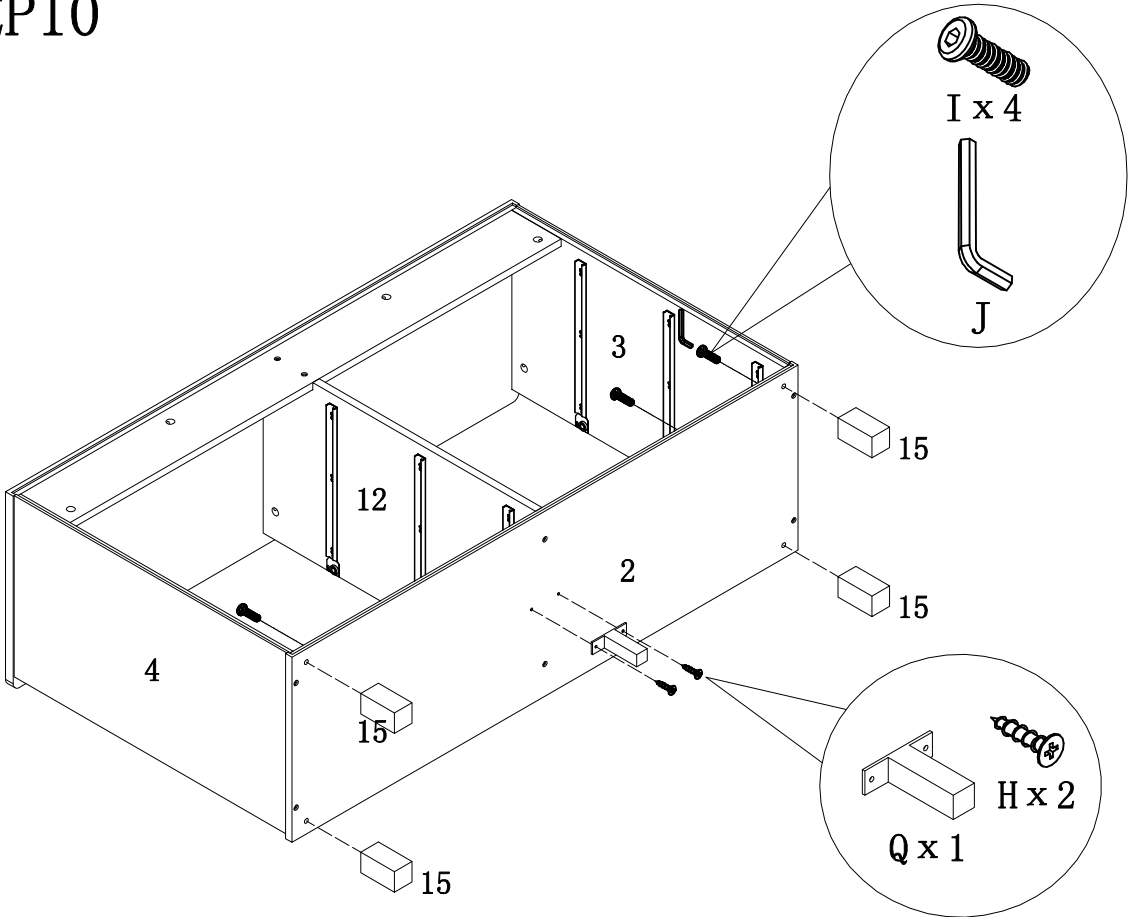
# ASSEMBLY INSTRUCTION

ITEM#: Y1104



STEP9

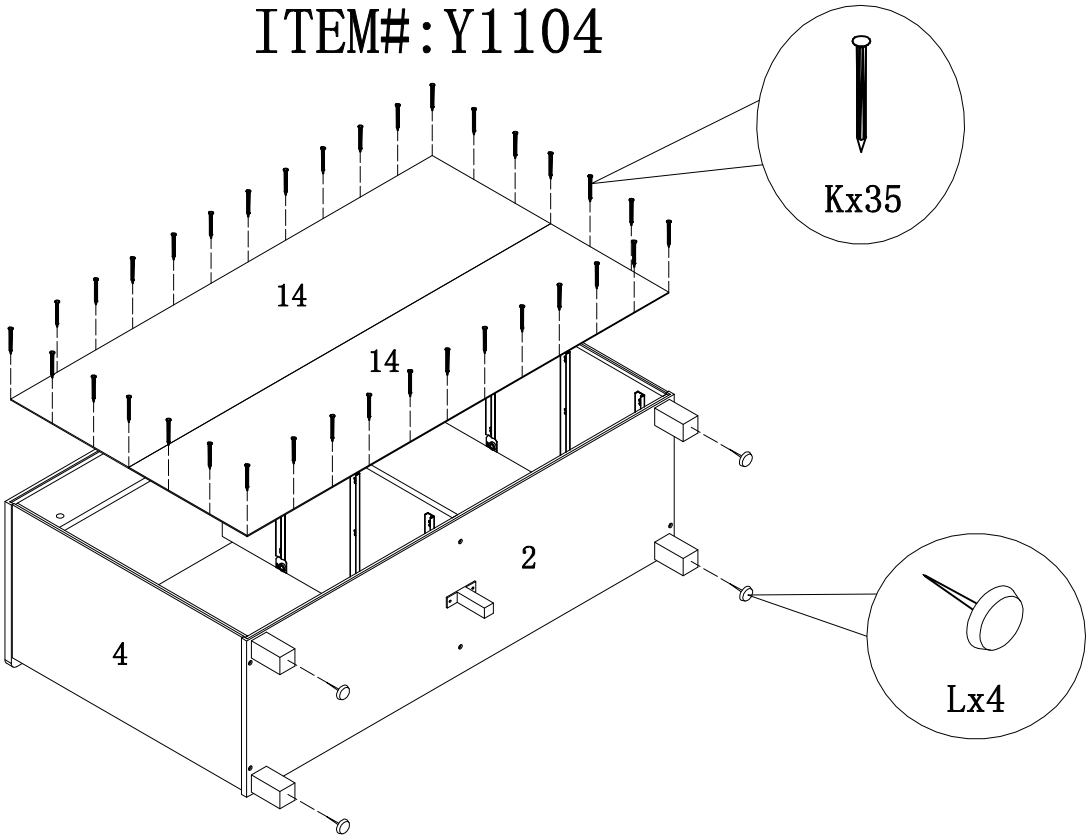
STEP10





# ASSEMBLY INSTRUCTION

ITEM#: Y1104



STEP 11

STEP 12

