

ASSEMBLY INSTRUCTION

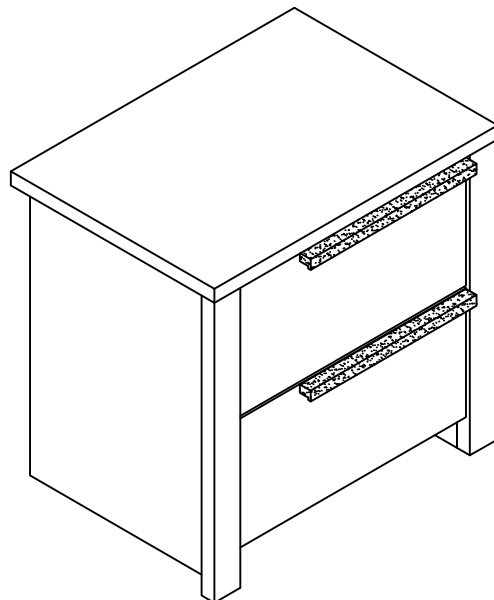
PLEASE READ BEFORE ASSEMBLING!

Tip #1: Make sure you've taken all the pieces and hardware out of its packaging before discarding the box. Assembly on top of flattened box/blanket is recommended.

Tip #2: Using page 2 and/or page 3 of instruction manual make sure all pieces and hardware are accounted for.

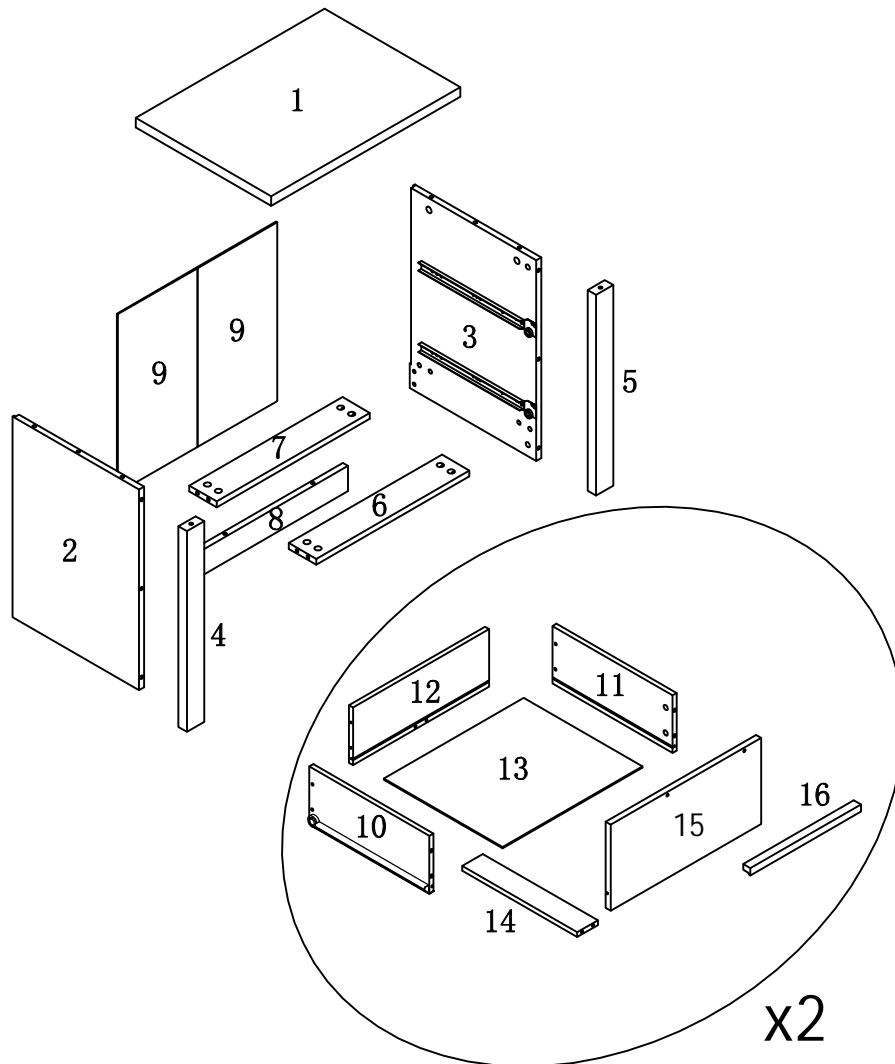
Tip #3: Note position of all holes on each panel during assembly.

ITEM#: Y1203 Y1703



PARTS IDENTIFICATION





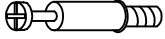






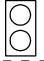


ITEM#: Y1203 Y1703



(1)	1pc	(7)	1pc	(13)	2pcs
(2)	1pc	(8)	1pc	(14)	2pcs
(3)	1pc	(9)	2pcs	(15)	2pcs
(4)	1pc	(10)	2pcs	(16)	2pcs
(5)	1pc	(11)	2pcs		
(6)	1pc	(12)	2pcs		

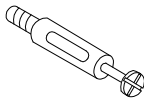

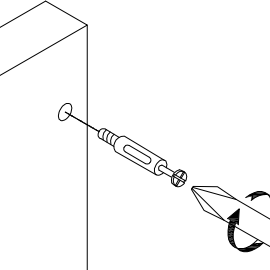
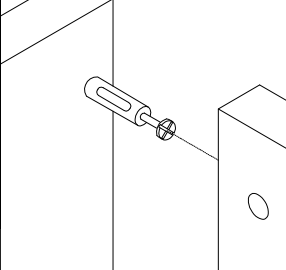
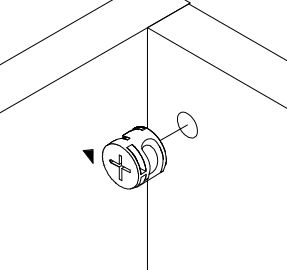
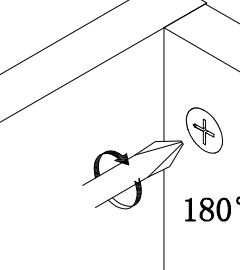
HARDWARE IDENTIFICATION

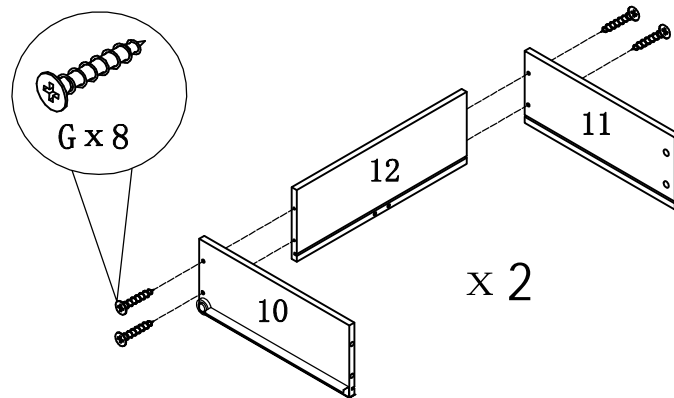
ITEM#: Y1203 Y1703

A		L29	12pcs
B		Ø15	12pcs
C		L24	4pcs
D		Ø12	4pcs
E		L20	8pcs
F		Ø12	8pcs
G		Ø4x30	12pcs
H		Z1016	22pcs
I		Ø8x25	12pcs
J		Ø6x30	4pcs
K		M4x22	4pcs
L		Ø20	2pcs
M		Ø16	6pcs
N		Glue: For securing please apply to wood dowel first before inserting into panel	1pc

ASSEMBLY INSTRUCTION

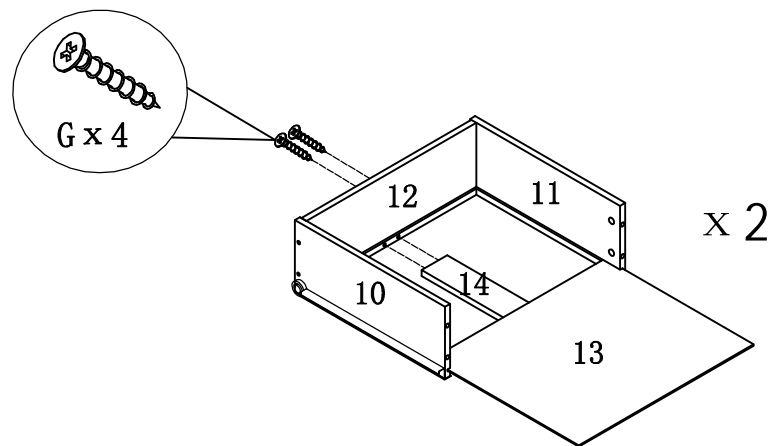
ITEM#: Y1203 Y1703

HOW TO	1	2	3	4
 Cam Bolt  Cam Lock				
	1. Screw Cam Bolt into panel.	2. Insert Cam Bolt into bolt hole of joining panel.	3. Insert Cam Lock. arrow facing bolt.	4. Gently turn Cam Lock clockwise to lock position.



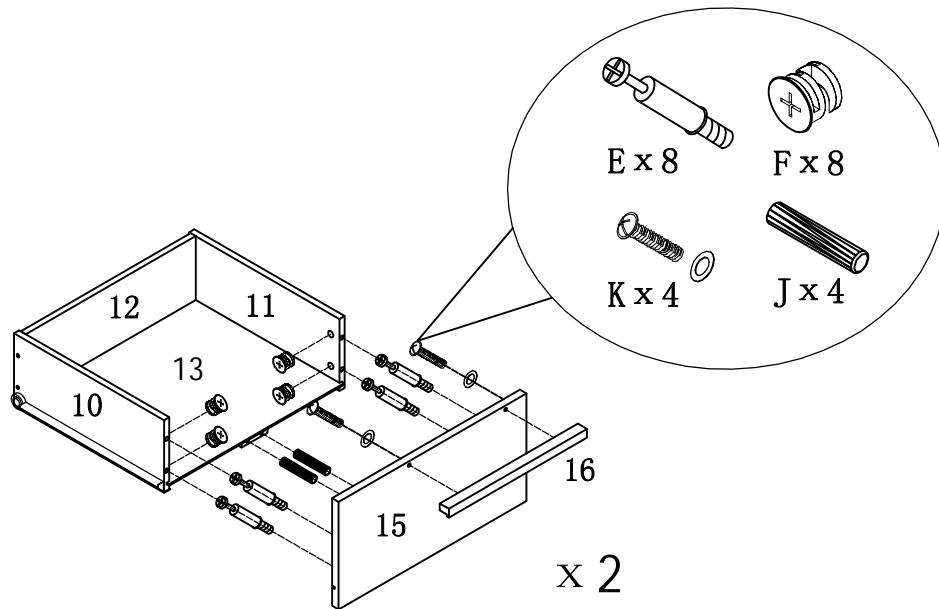
STEP1

STEP2



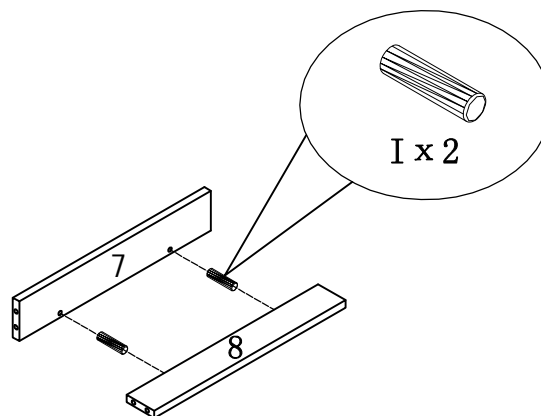
ASSEMBLY INSTRUCTION

ITEM#: Y1203 Y1703



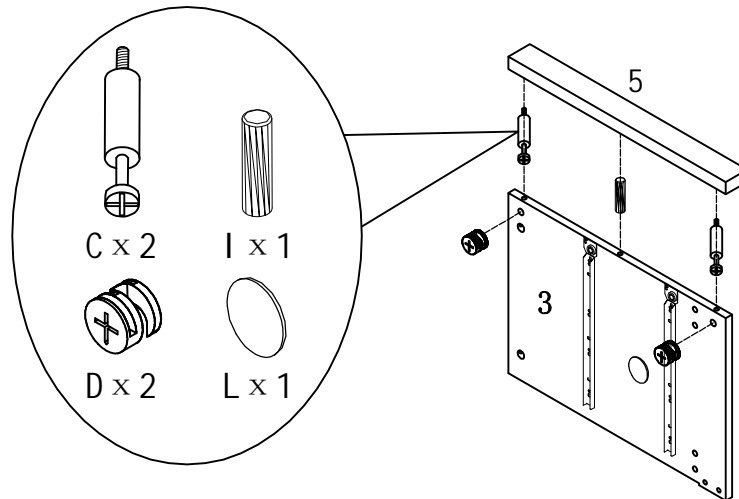
STEP3

STEP4



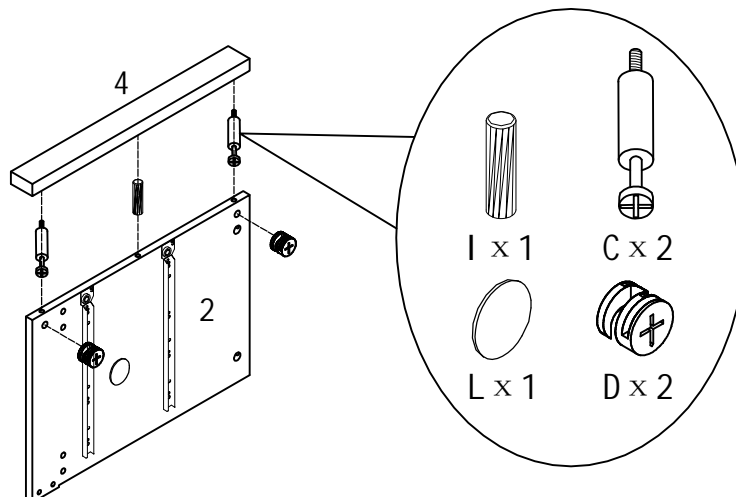
ASSEMBLY INSTRUCTION

ITEM#: Y1203 Y1703



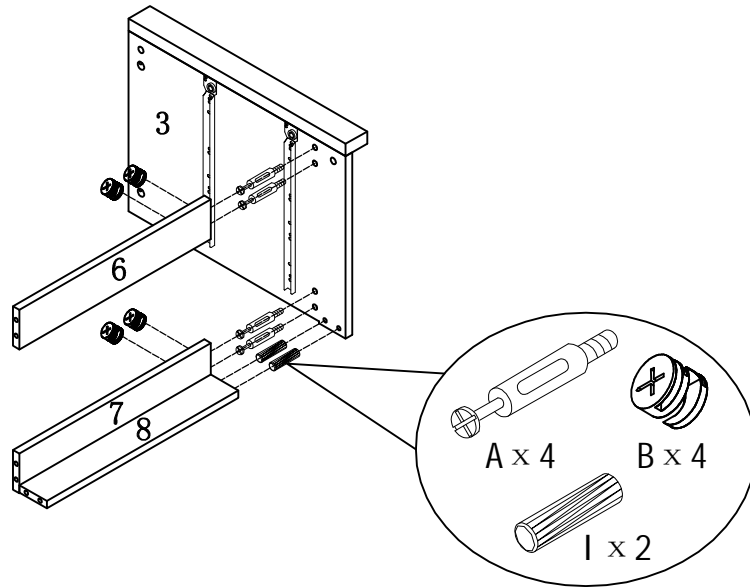
STEP5

STEP6



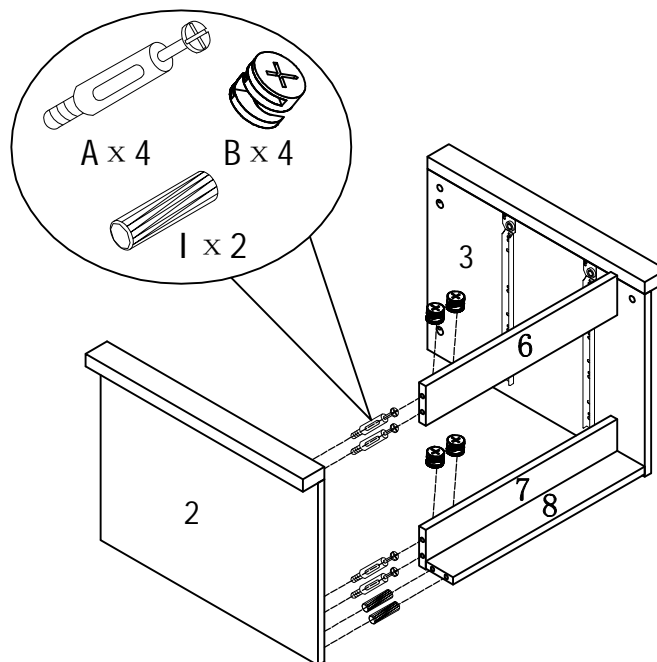
ASSEMBLY INSTRUCTION

ITEM#: Y1203 Y1703



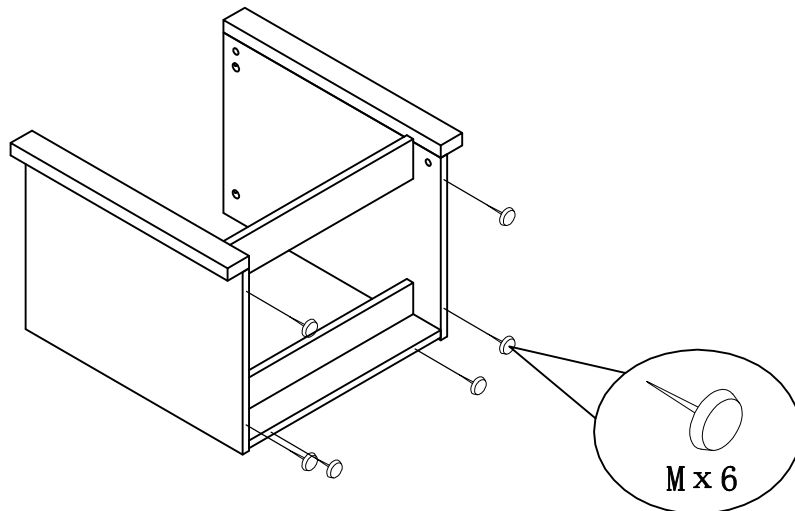
STEP7

STEP8



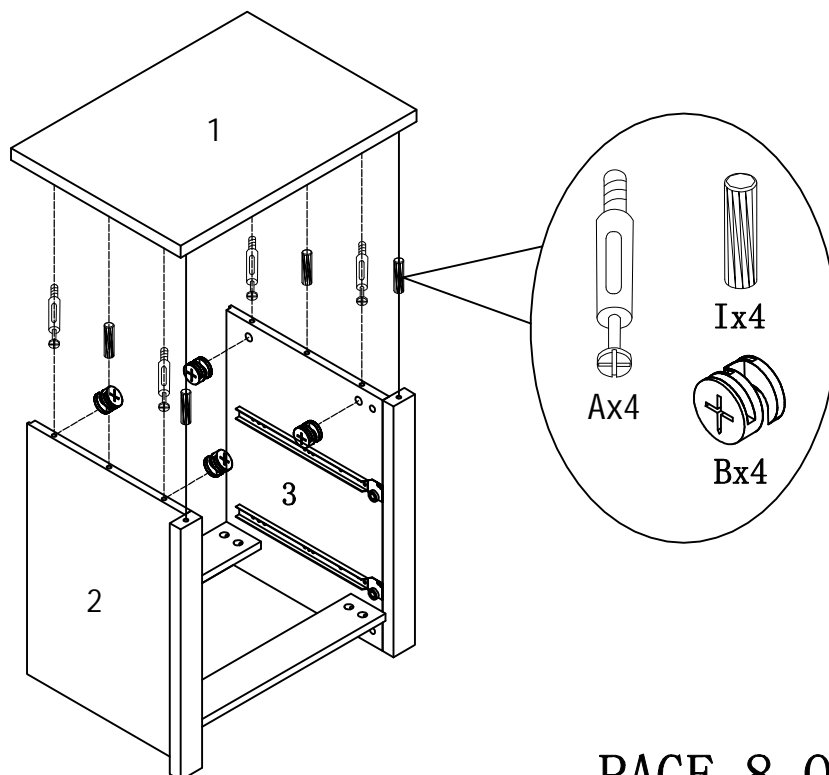
ASSEMBLY INSTRUCTION

ITEM#: Y1203 Y1703



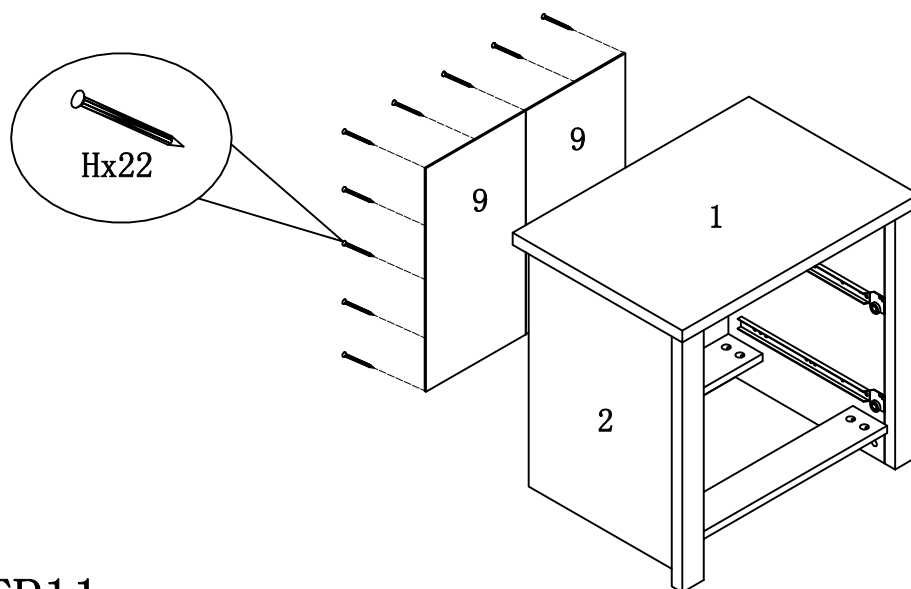
STEP9

STEP10



ASSEMBLY INSTRUCTION

ITEM#: Y1203 Y1703



STEP11

STEP12

