

ASSEMBLY INSTRUCTION

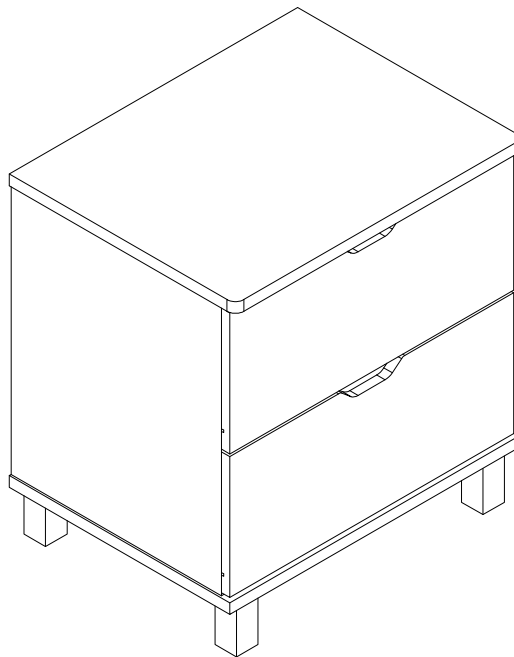
PLEASE READ BEFORE ASSEMBLING!

Tip #1: Make sure you've taken all the pieces and hardware out of its packaging before discarding the box. Assembly on top of flattened box/blanket is recommended.

Tip #2: Using page 2 and/or page 3 of instruction manual make sure all pieces and hardware are accounted for.

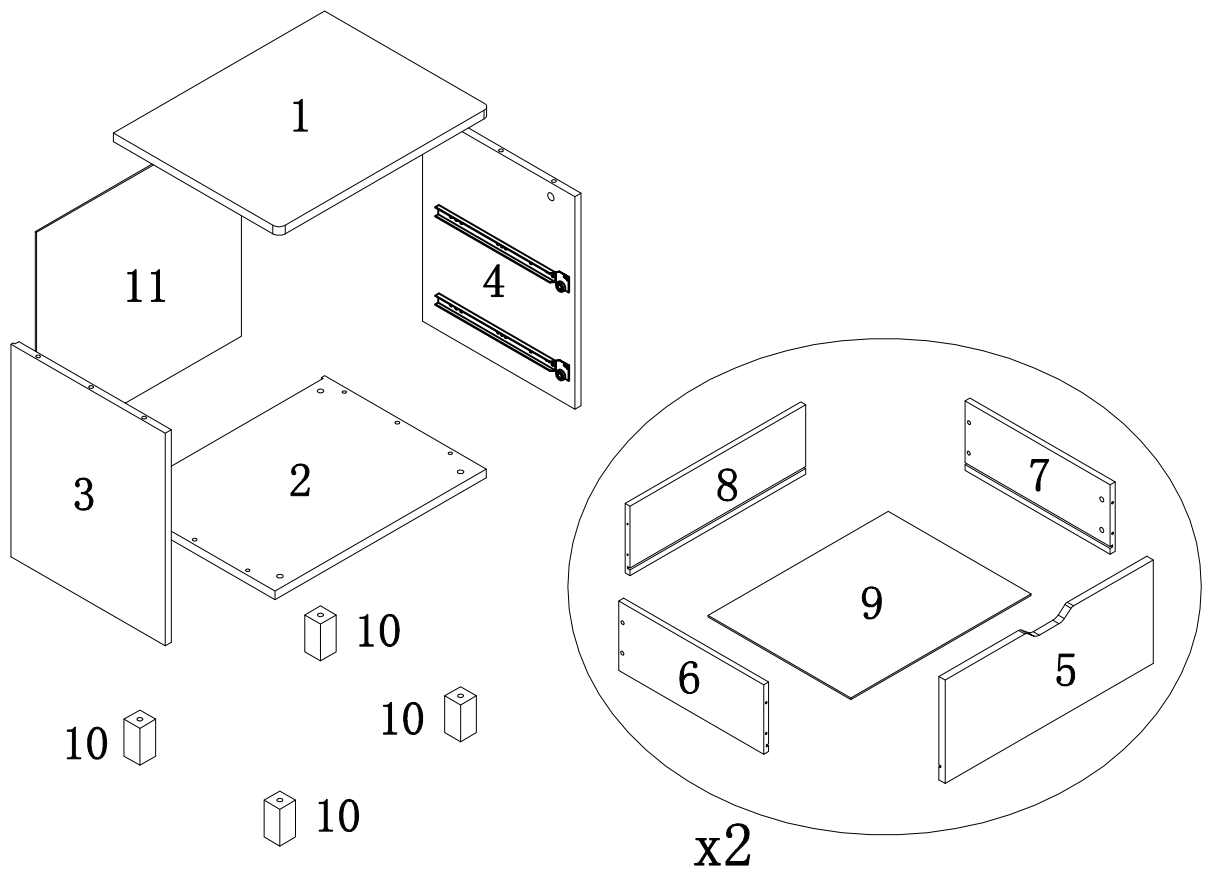
Tip #3: Note position of all holes on each panel during assembly.

ITEM#: Y1103



PARTS IDENTIFICATION

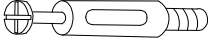


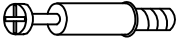

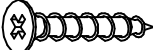





ITEM#: Y1103



(1)	1pc	(7)	2pcs
(2)	1pc	(8)	2pcs
(3)	1pc	(9)	2pcs
(4)	1pc	(10)	4pcs
(5)	2pcs	(11)	1pc
(6)	2pcs		

HARDWARE IDENTIFICATION

ITEM#: Y1103

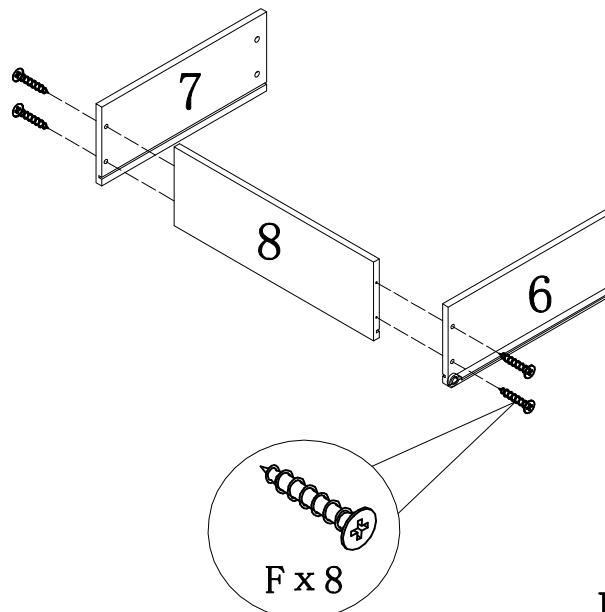
A		L29	4pcs
B		Ø15	4pcs
C		Ø8 x 25	4pcs
D		L20	8pcs
E		Ø12	8pcs
F		Ø4 x 30	12pcs
G		M8 x 35	4pcs
H		M5	1pc
I		Z1016	20pcs
J		Ø16	4pcs
K		Glue: For securing please apply to wood dowel first before inserting into panel	1pc

ASSEMBLY INSTRUCTION

ITEM#: Y1103

STEP 1

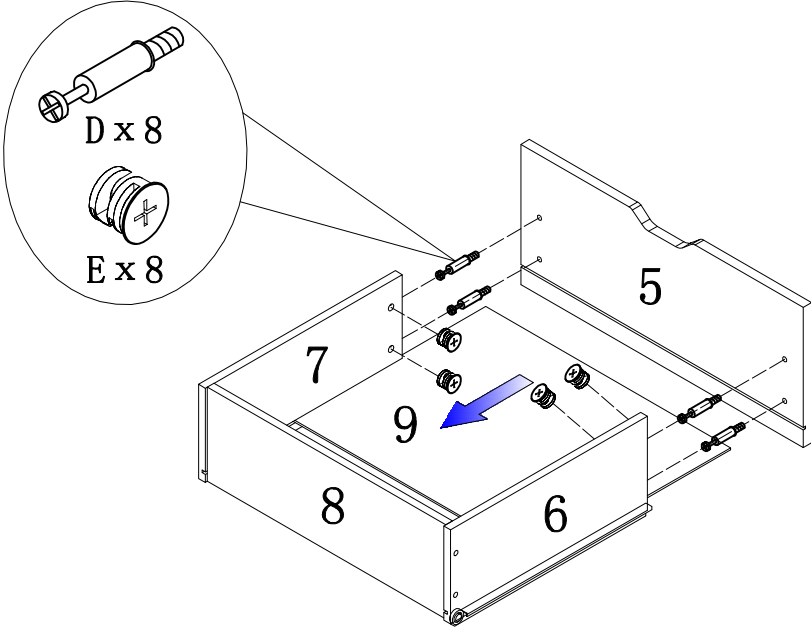
x2



ASSEMBLY INSTRUCTION

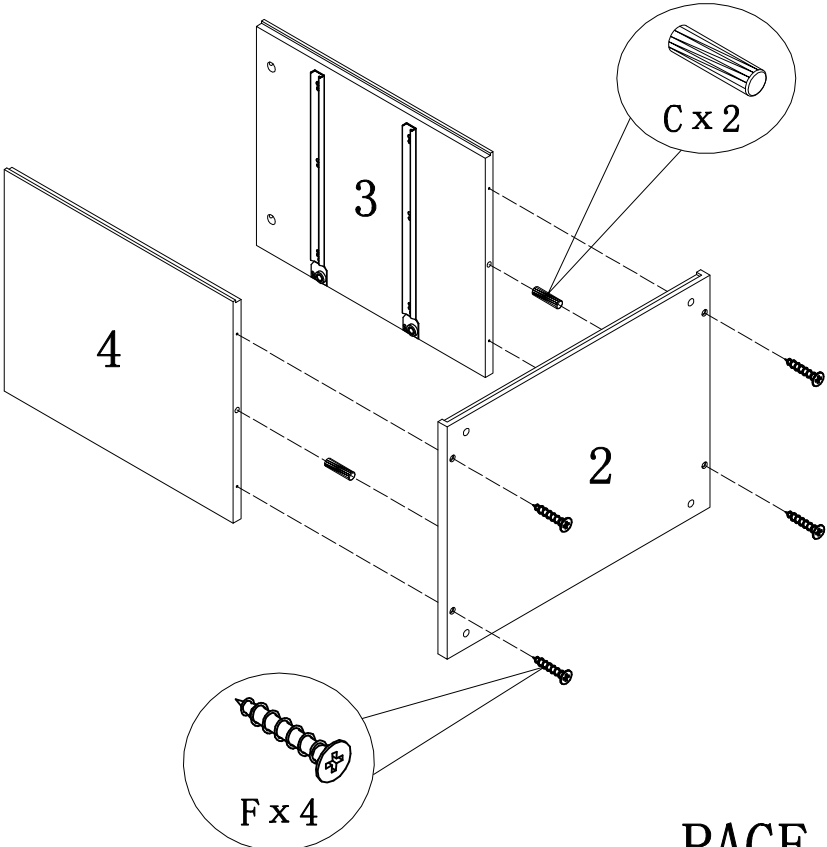
ITEM#: Y1103

x2



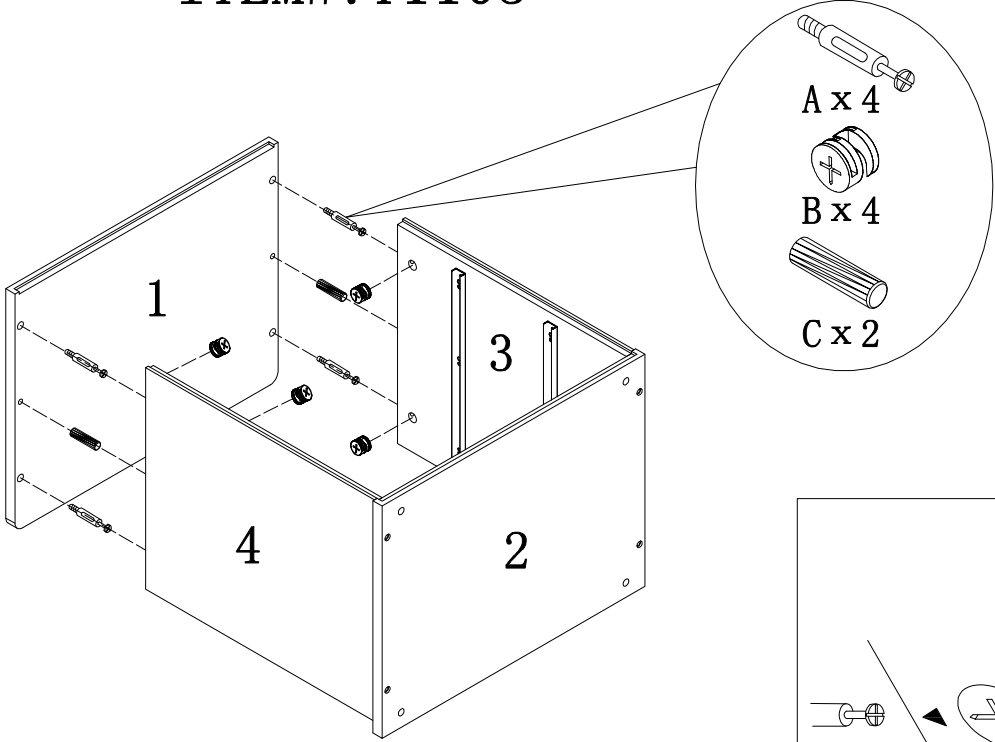
STEP2

STEP3



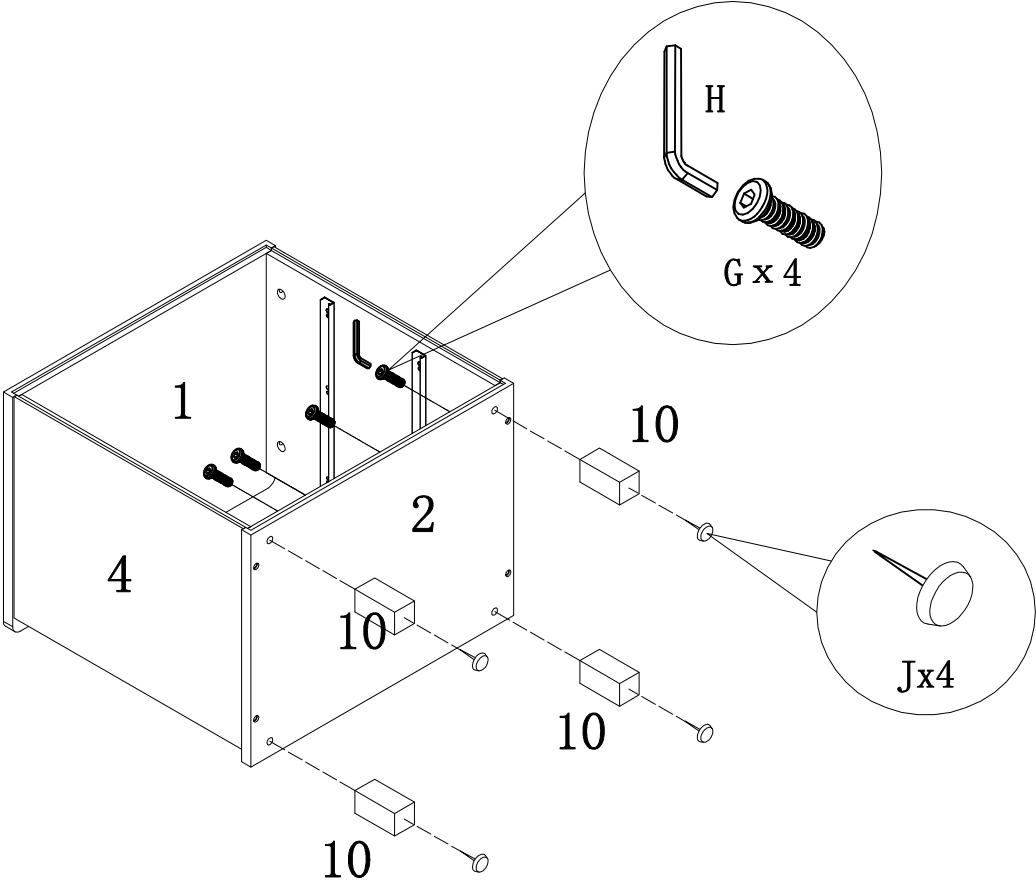
ASSEMBLY INSTRUCTION

ITEM#: Y1103



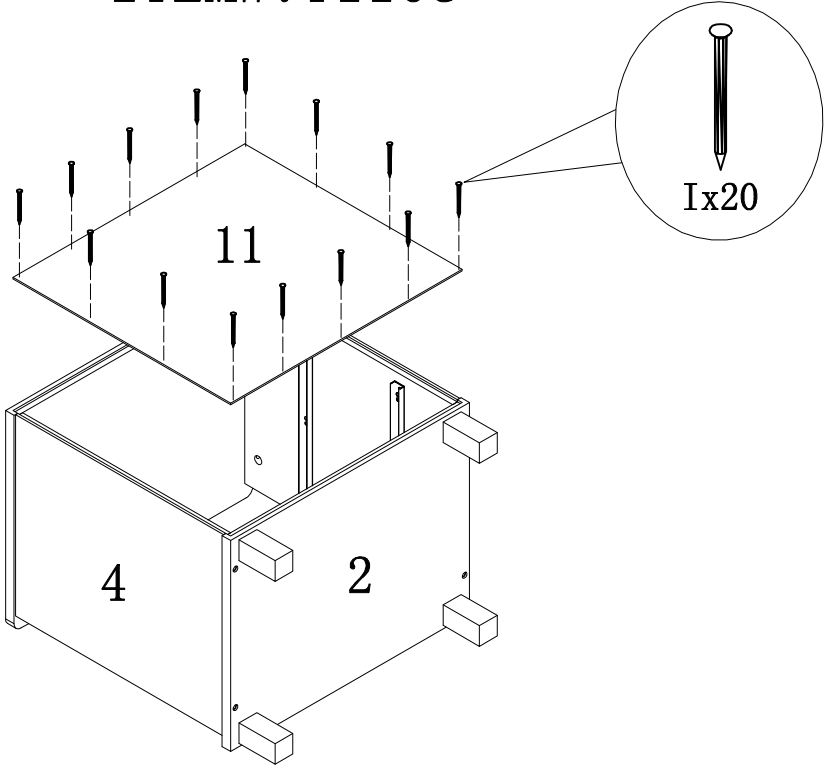
STEP 4

STEP 5



ASSEMBLY INSTRUCTION

ITEM#: Y1103



STEP6

STEP7

