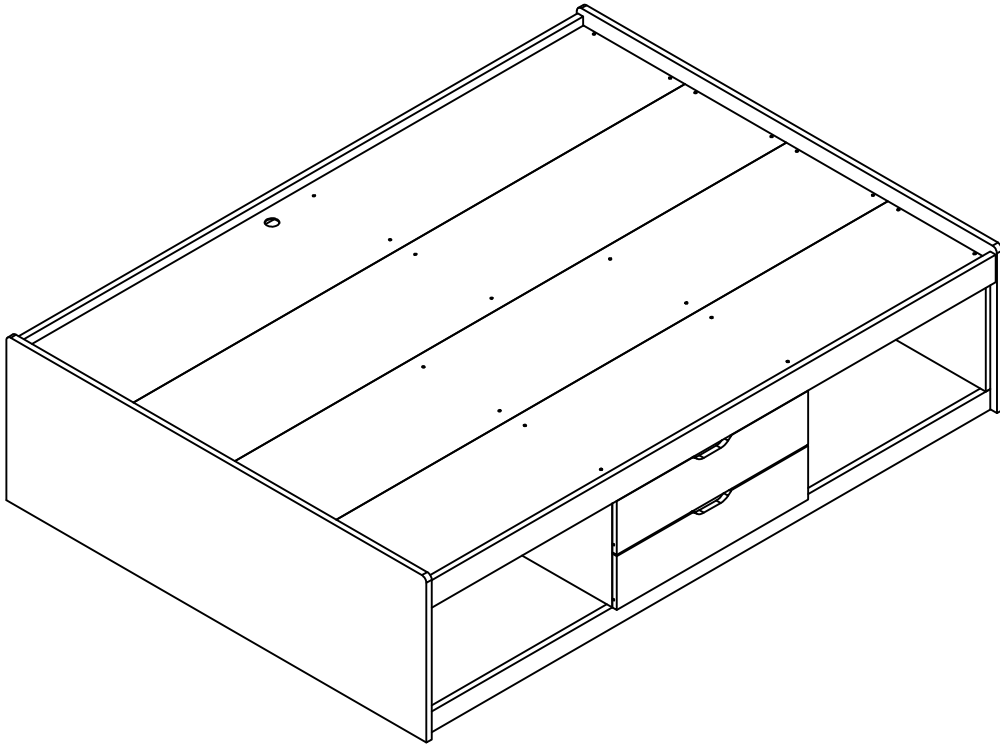


# ASSEMBLY INSTRUCTION

---

ITEM#: Y5802F



# ASSEMBLY INSTRUCTION

---

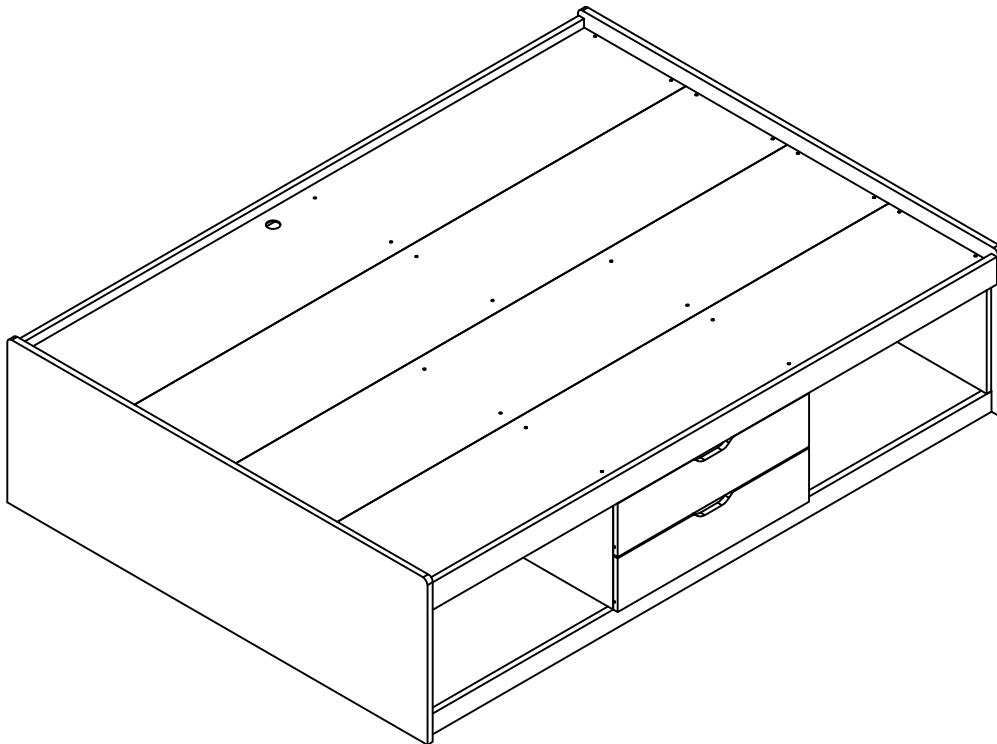
## PLEASE READ BEFORE ASSEMBLING!

Tip #1: Make sure you've taken all the pieces and hardware out of its packaging before discarding the box. Assembly on top of flattened box/blanket is recommended.

Tip #2: Using page 2 and/or page 3 of instruction manual make sure all pieces and hardware are accounted for.

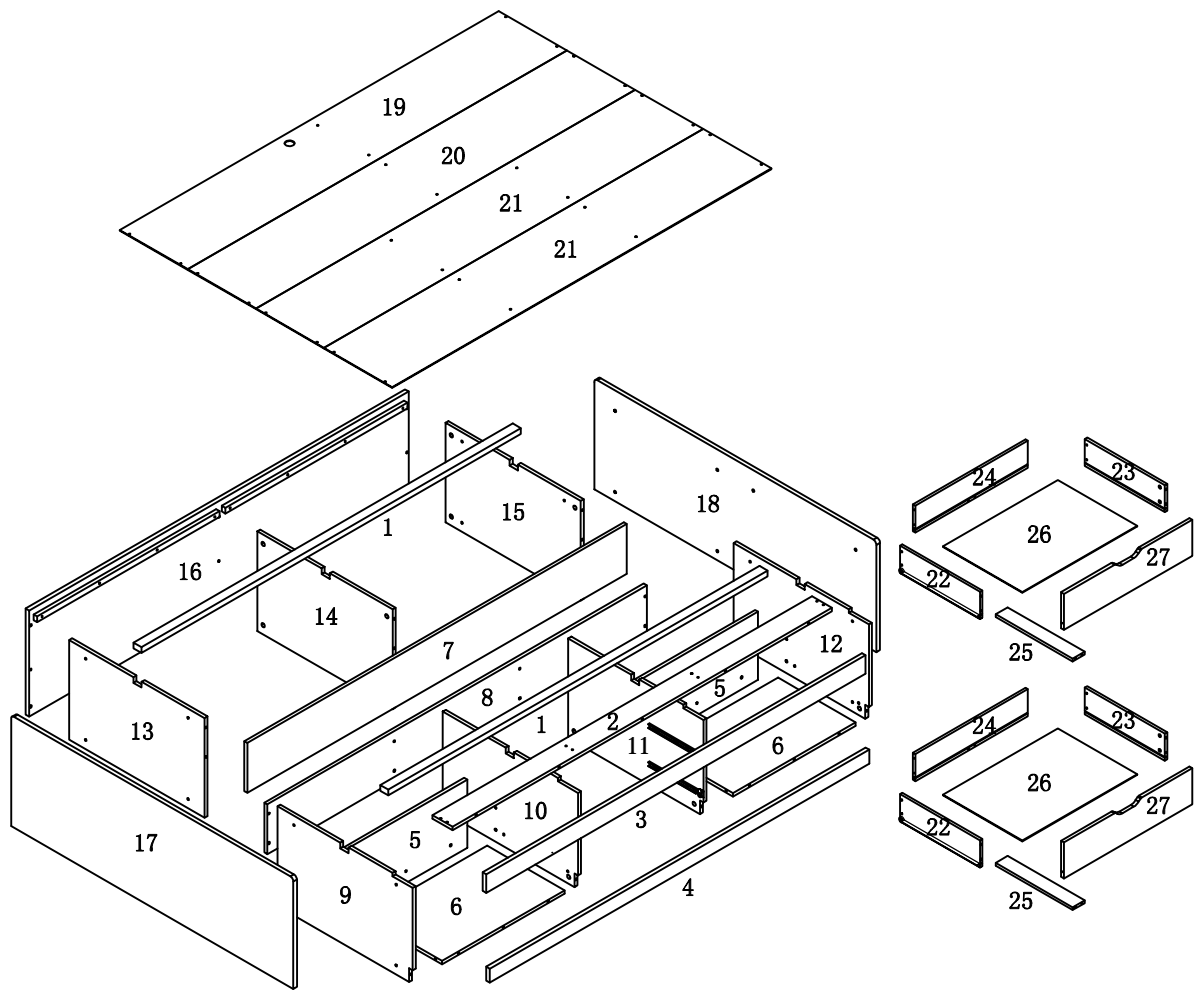
Tip #3: Note position of all holes on each panel during assembly.

ITEM#: Y5802F



# PARTS IDENTIFICATION

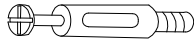

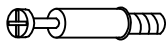



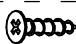
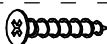
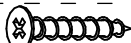


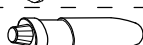
ITEM#: Y5802F



(1)	2pcs	(8)	1pc	(15)	1pc	(22)	2pcs
(2)	1pc	(9)	1pc	(16)	1pc	(23)	2pcs
(3)	1pc	(10)	1pc	(17)	1pc	(24)	2pcs
(4)	1pc	(11)	1pc	(18)	1pc	(25)	2pcs
(5)	2pcs	(12)	1pc	(19)	1pc	(26)	2pcs
(6)	2pcs	(13)	1pc	(20)	1pc	(27)	2pcs
(7)	1pc	(14)	1pc	(21)	2pcs		

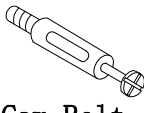
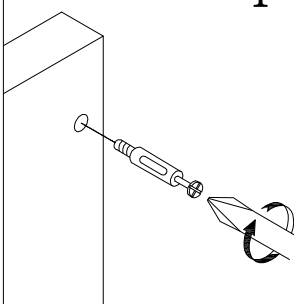
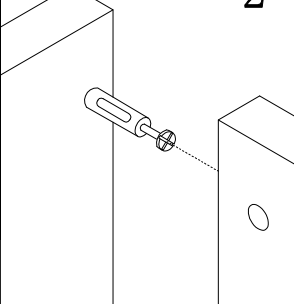
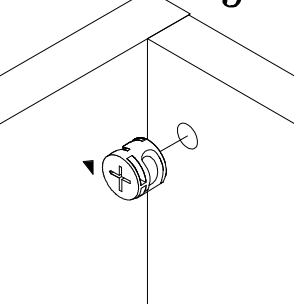
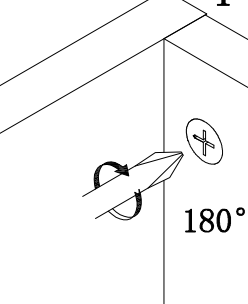

# HARDWARE IDENTIFICATION

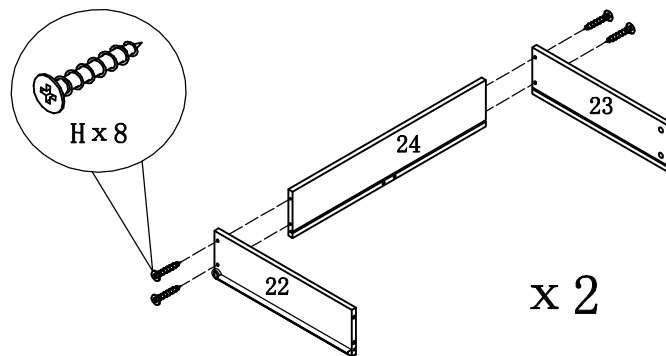
ITEM#: Y5802F

A		L29	40pcs
B		ø15	40pcs
C		L20	8pcs
D		ø12	8pcs
E		ø8x25	28pcs
F		ø6x30	4pcs
G		ø4x20	28pcs
H		ø4x30	12pcs
I		ø4x40	8pcs
J		ø16	27pcs
K		M6x25	16pcs
L		Glue: For securing please apply to wood dowel first before inserting into panel	1pc

# ASSEMBLY INSTRUCTION

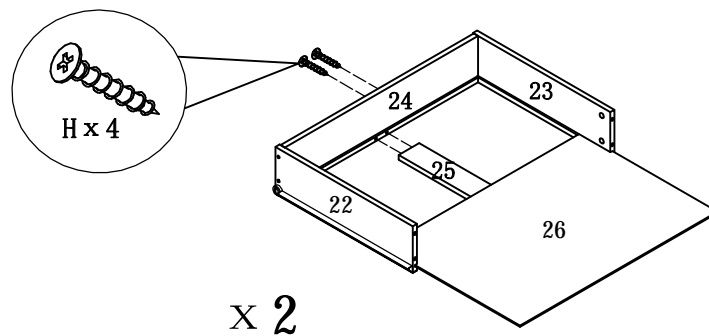
ITEM#: Y5802F

HOW TO	1	2	3	4
 Cam Bolt				
 Cam Lock	1. Screw Cam Bolt into panel.	2. Insert Cam Bolt into bolt hole of joining panel.	3. Insert Cam Lock. arrow facing bolt.	4. Gently turn Cam Lock clockwise to lock position.



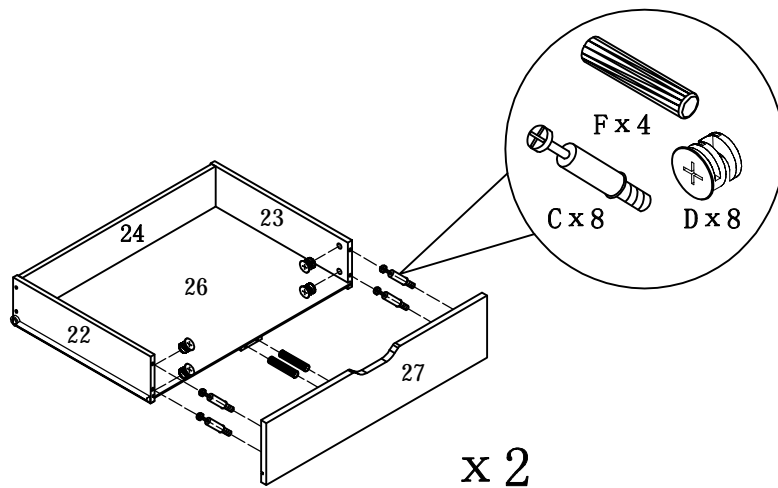
STEP1

STEP2



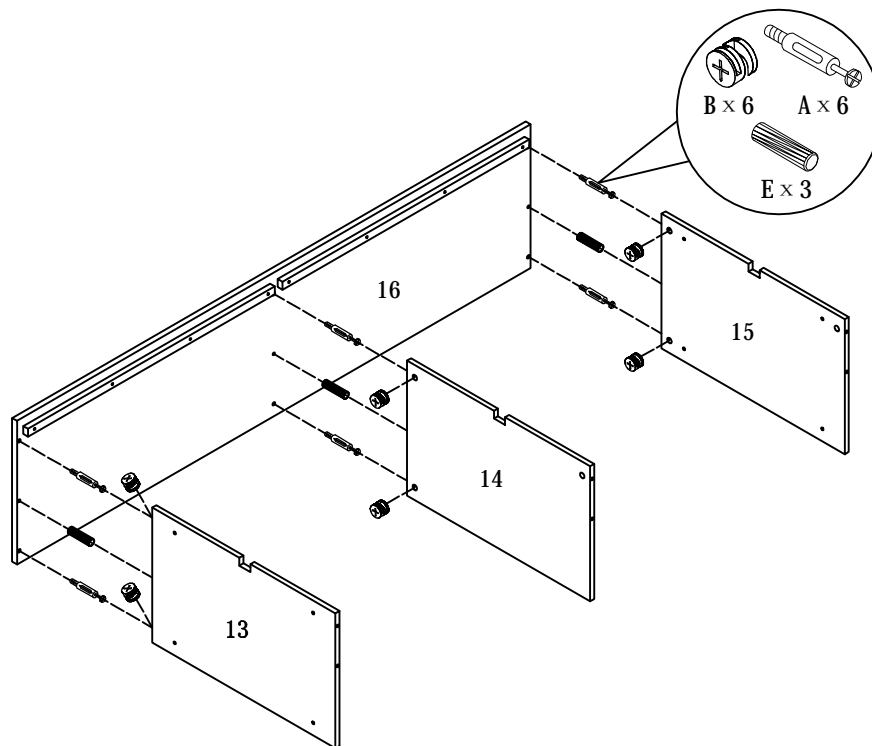
# ASSEMBLY INSTRUCTION

ITEM#: Y5802F



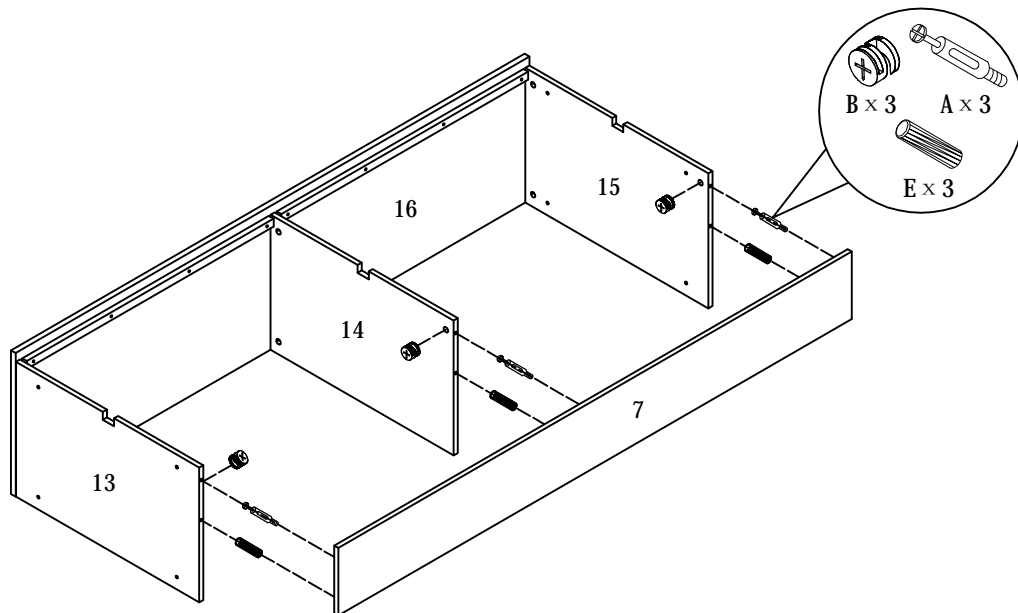
STEP3

STEP4



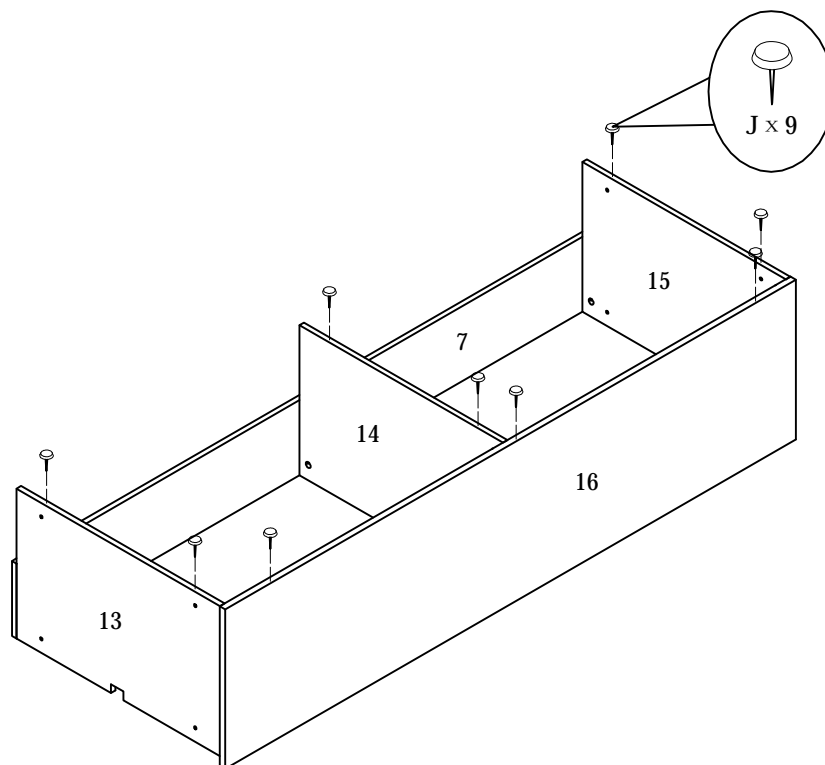
# ASSEMBLY INSTRUCTION

ITEM#: Y5802F



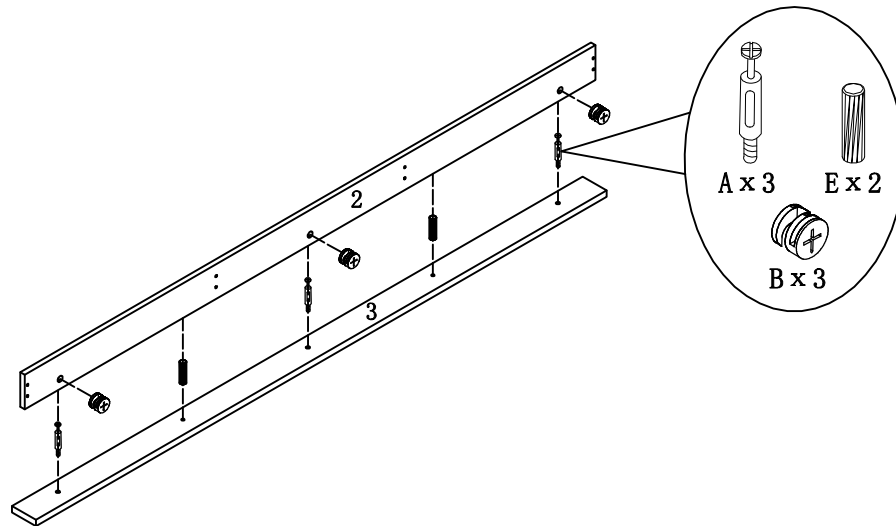
STEP5

STEP6



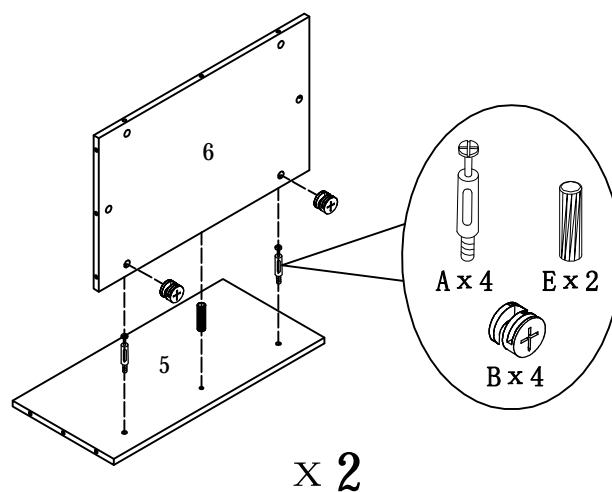
# ASSEMBLY INSTRUCTION

ITEM#: Y5802F



STEP7

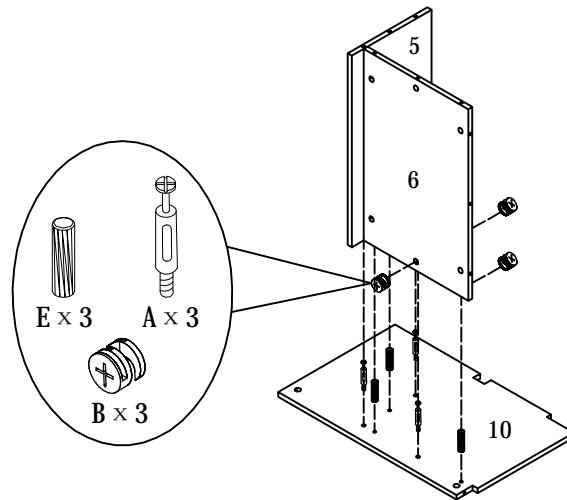
STEP8





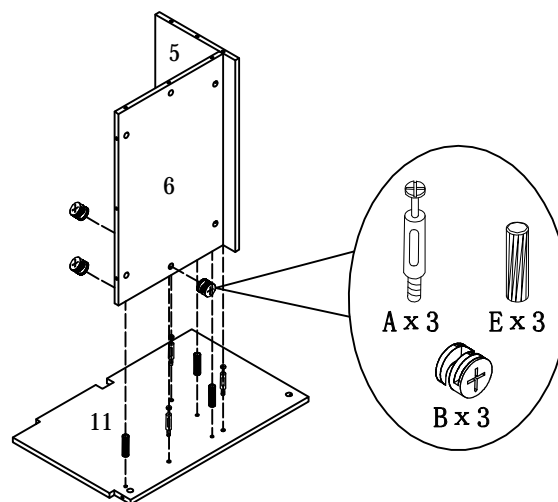
# ASSEMBLY INSTRUCTION

ITEM#: Y5802F



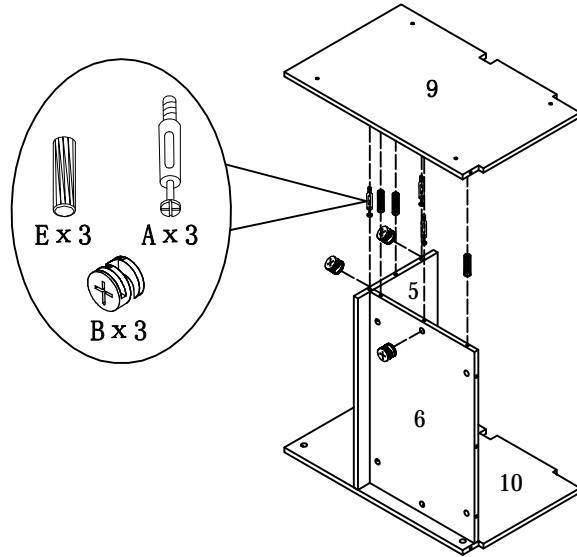
STEP9

STEP10



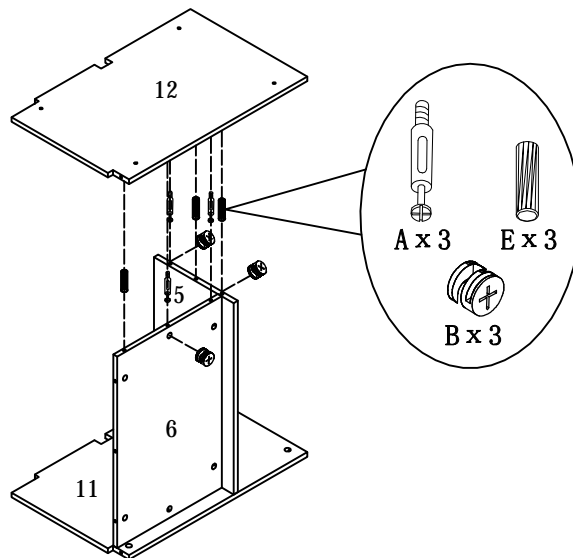
# ASSEMBLY INSTRUCTION

ITEM#: Y5802F



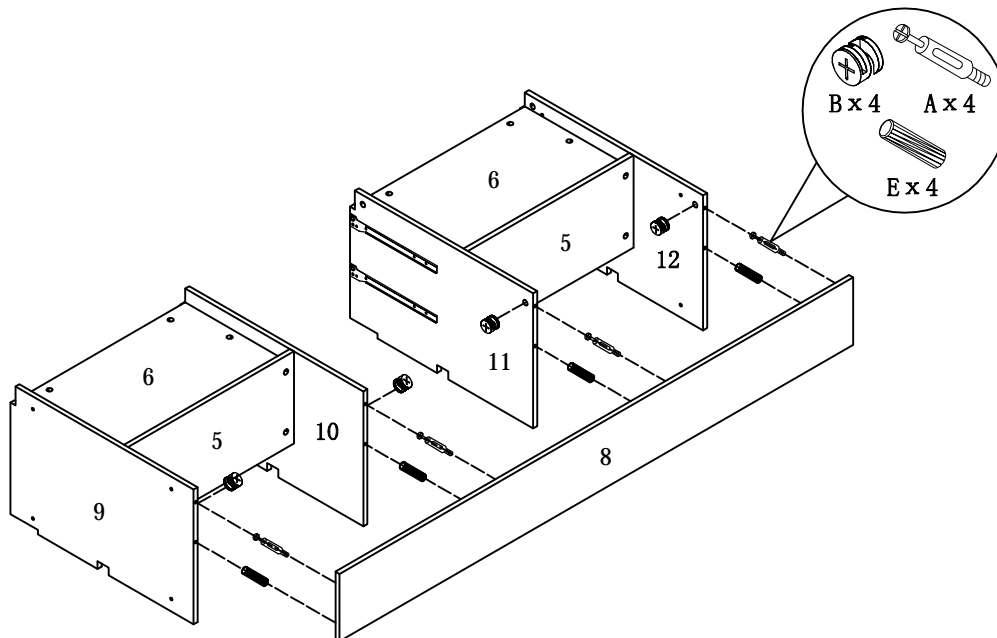
STEP11

STEP12



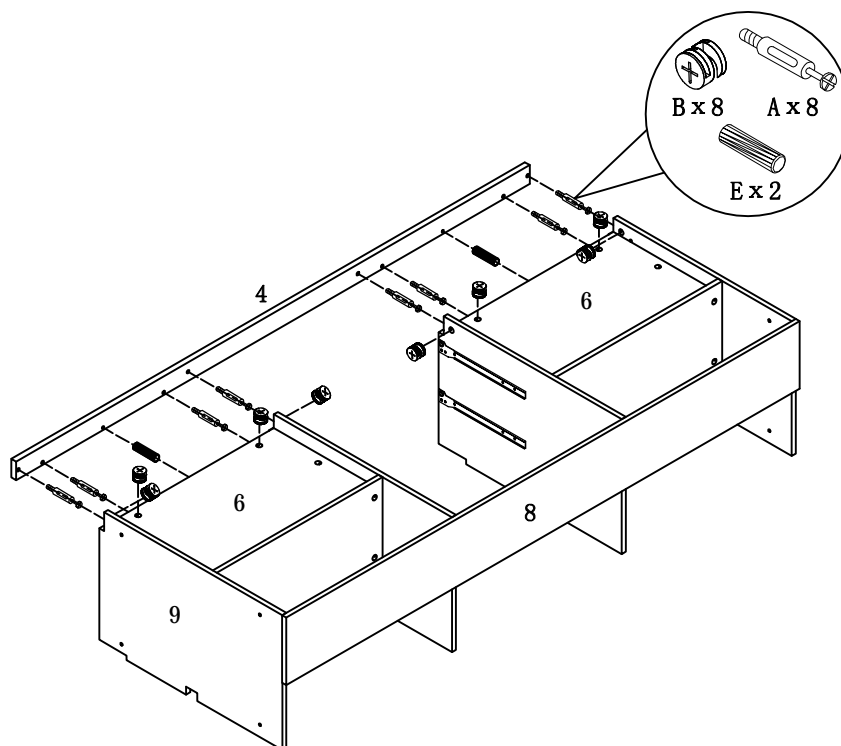
# ASSEMBLY INSTRUCTION

ITEM#: Y5802F



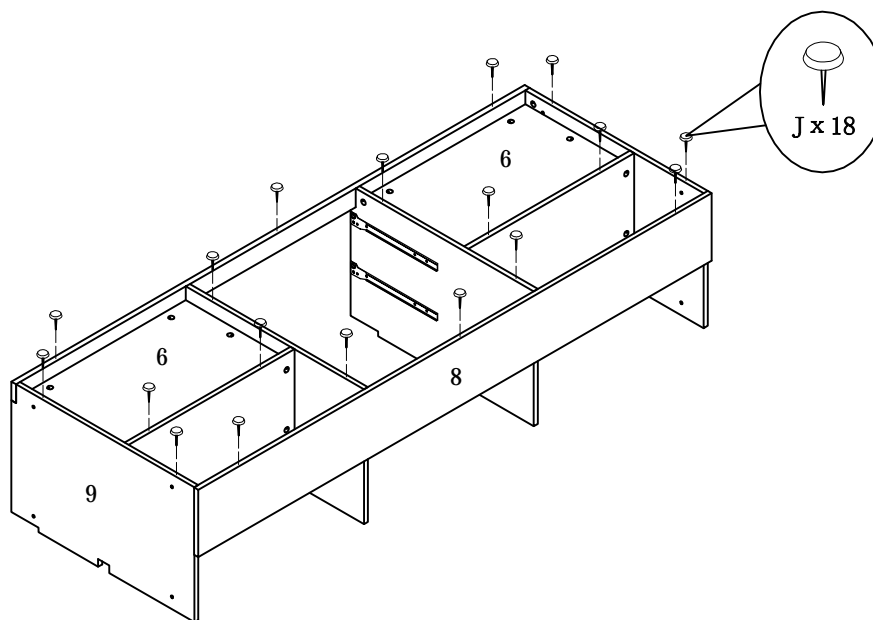
STEP13

STEP14



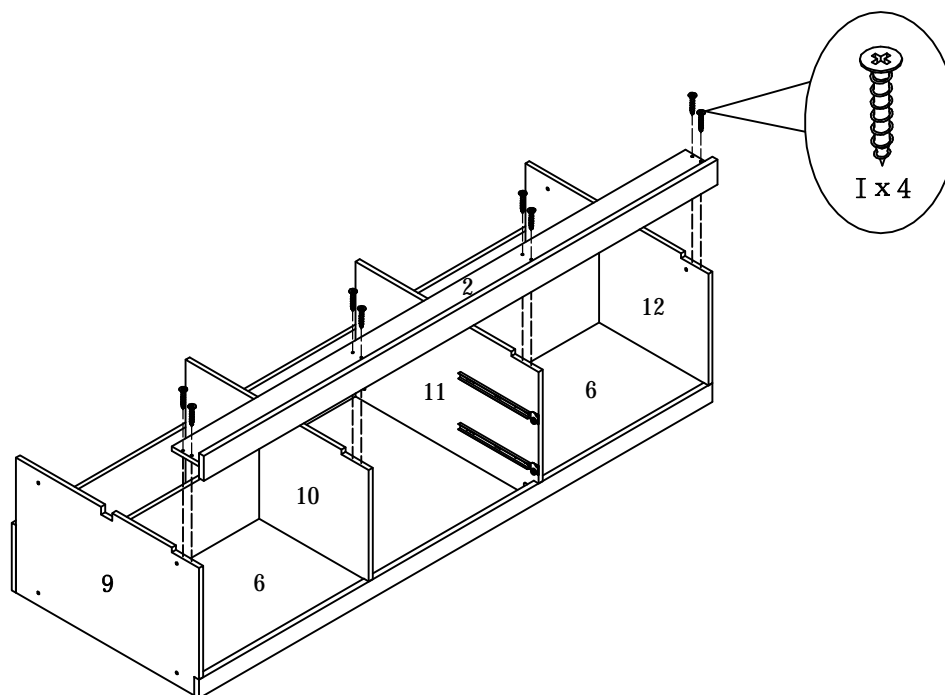
# ASSEMBLY INSTRUCTION

ITEM#: Y5802F



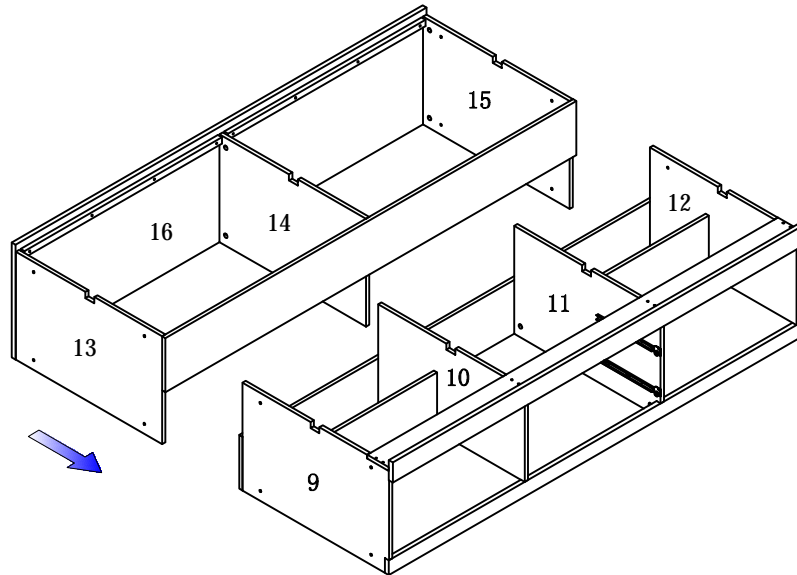
STEP15

STEP16



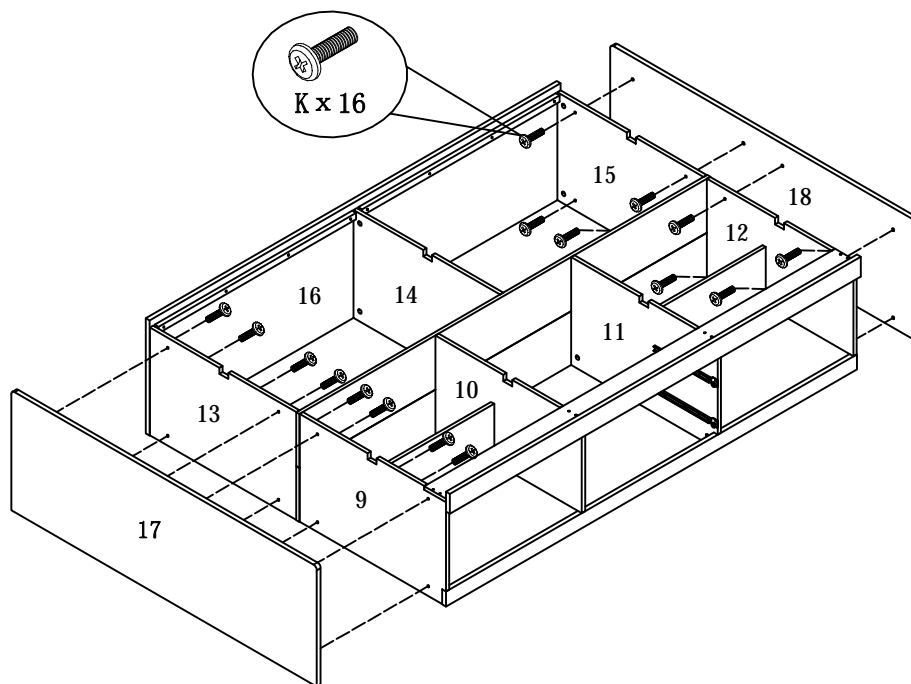
# ASSEMBLY INSTRUCTION

ITEM#: Y5802F



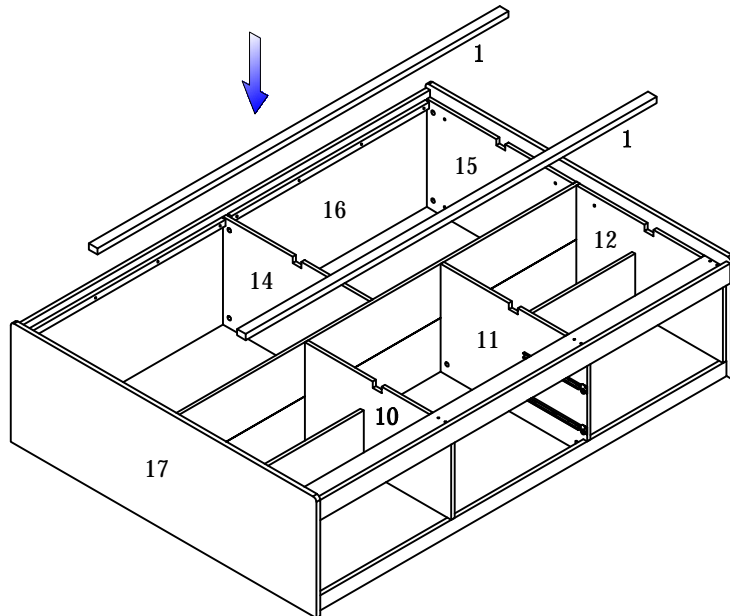
STEP15

STEP16



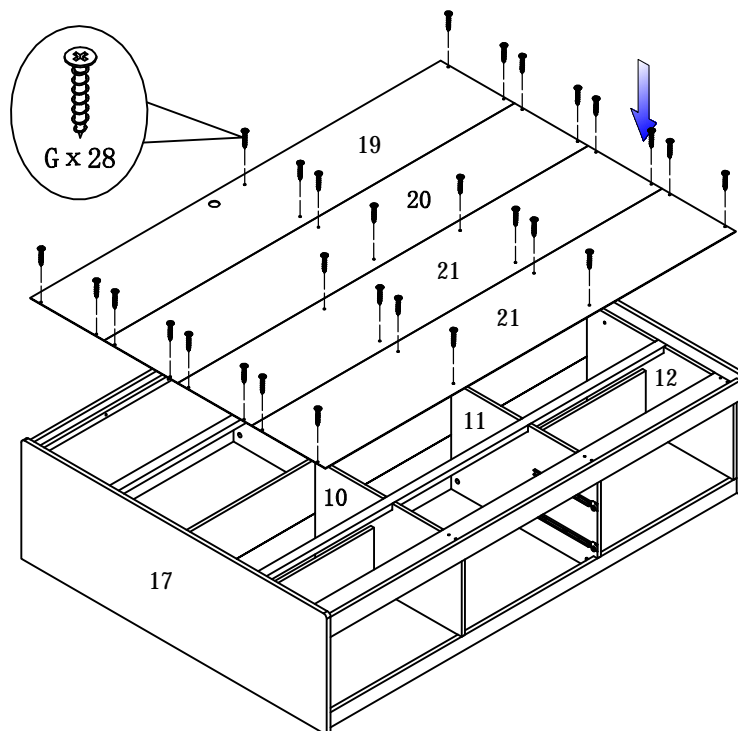
# ASSEMBLY INSTRUCTION

ITEM#: Y5802F



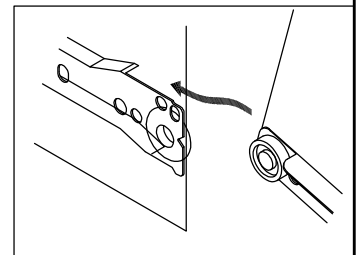
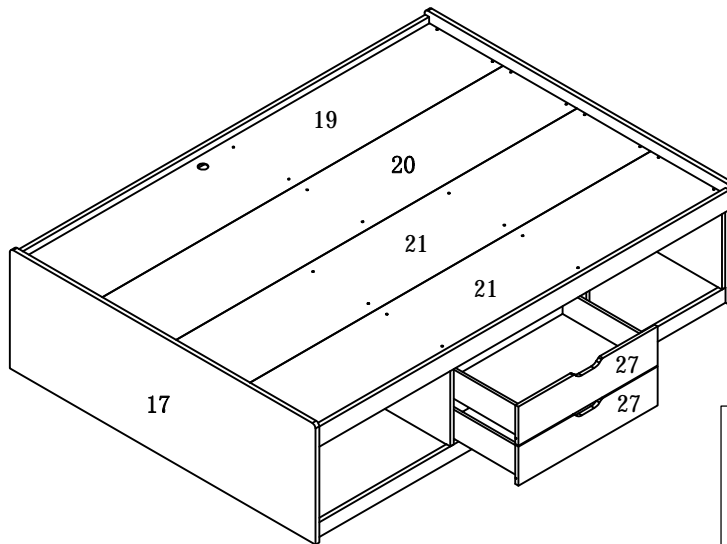
STEP15

STEP16



# ASSEMBLY INSTRUCTION

ITEM#: Y5802F



STEP15

STEP16

