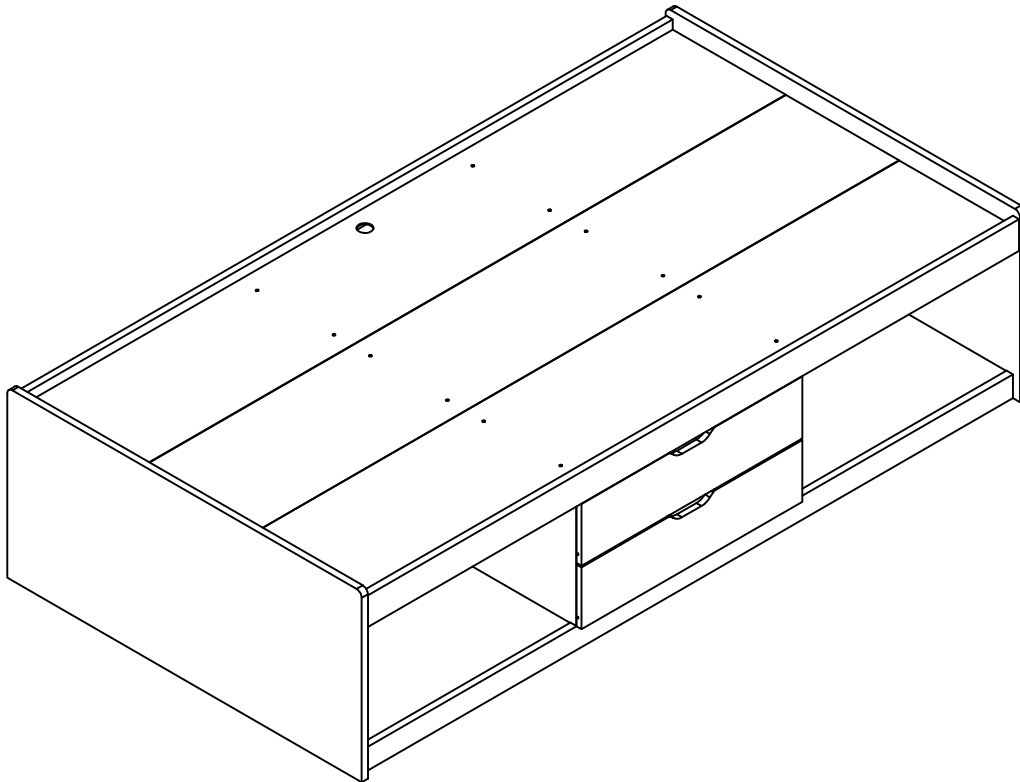


# ASSEMBLY INSTRUCTION

---

ITEM#: Y5802T



# ASSEMBLY INSTRUCTION

---

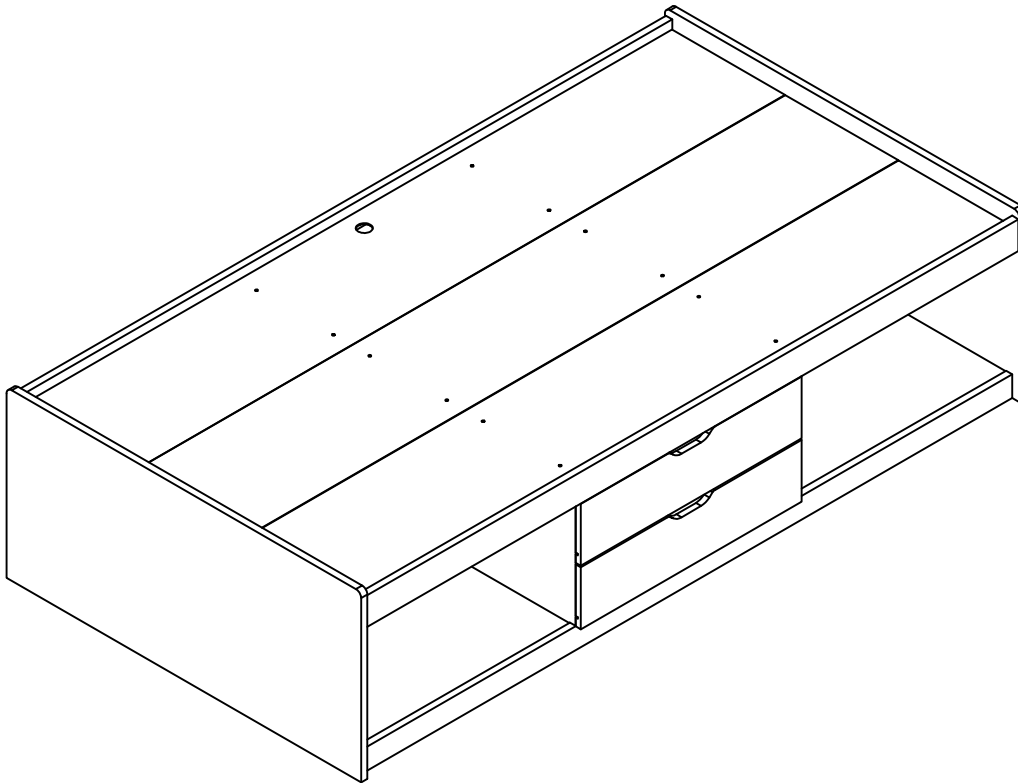
## PLEASE READ BEFORE ASSEMBLING!

Tip #1: Make sure you've taken all the pieces and hardware out of its packaging before discarding the box. Assembly on top of flattened box/blanket is recommended.

Tip #2: Using page 2 and/or page 3 of instruction manual make sure all pieces and hardware are accounted for.

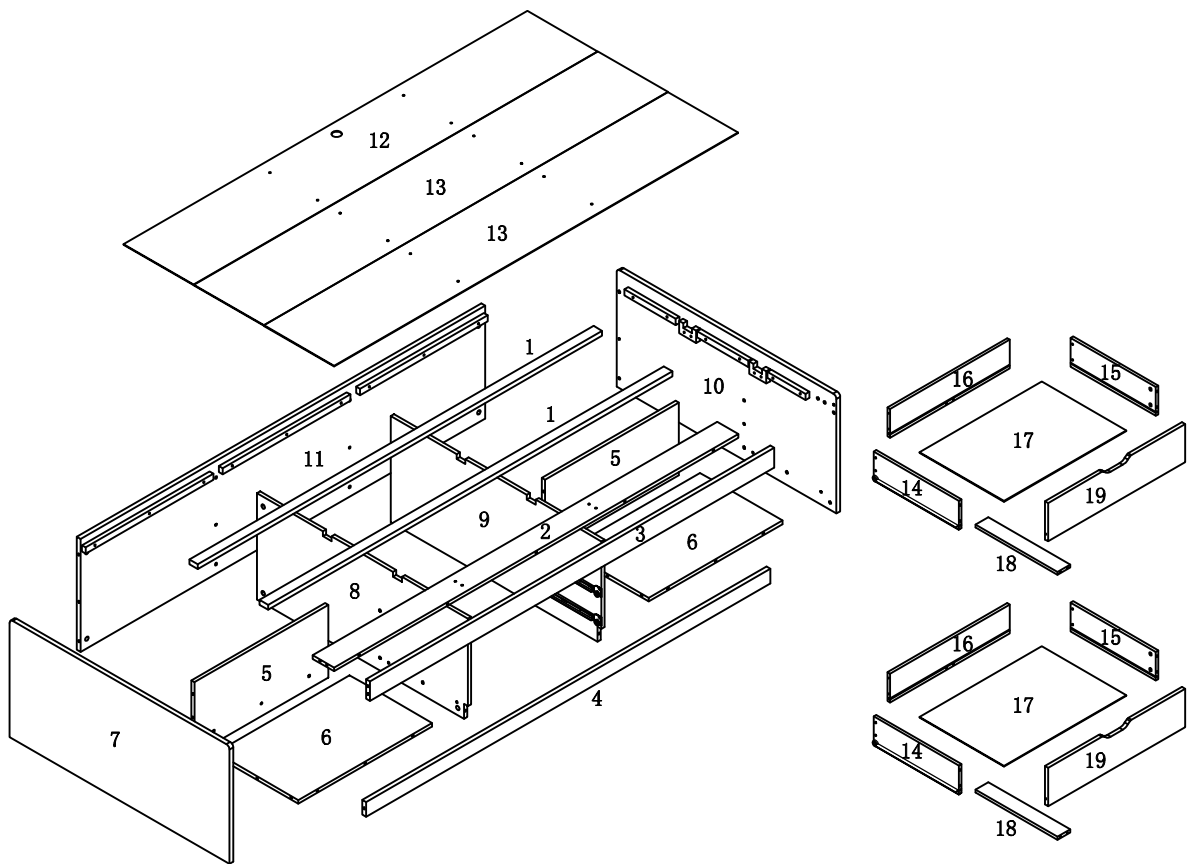
Tip #3: Note position of all holes on each panel during assembly.

ITEM#: Y5802T



# PARTS IDENTIFICATION

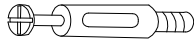

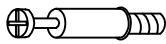



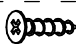
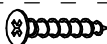
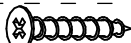

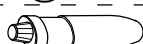
ITEM#: Y5802T



(1) 2pcs	(6) 2pcs	(11) 1pc	(16) 2pcs
(2) 1pc	(7) 1pc	(12) 1pc	(17) 2pcs
(3) 1pc	(8) 1pc	(13) 2pcs	(18) 2pcs
(4) 1pc	(9) 1pc	(14) 2pcs	(19) 2pcs
(5) 2pcs	(10) 1pc	(15) 2pcs	

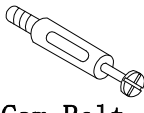

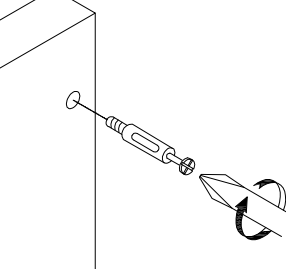
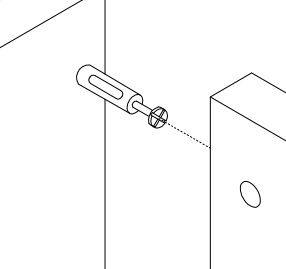
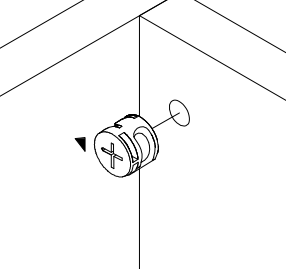
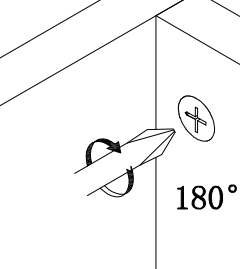
# HARDWARE IDENTIFICATION

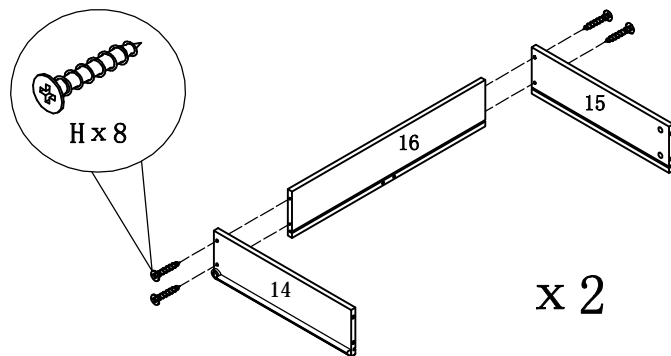
ITEM#: Y5802T

A		L29	41pcs
B		ø15	41pcs
C		L20	8pcs
D		ø12	8pcs
E		ø8x25	24pcs
F		ø6x30	4pcs
G		ø4x20	12pcs
H		ø4x30	12pcs
I		ø4x40	4pcs
J		ø16	18pcs
K		Glue: For securing please apply to wood dowel first before inserting into panel	1pc

# ASSEMBLY INSTRUCTION

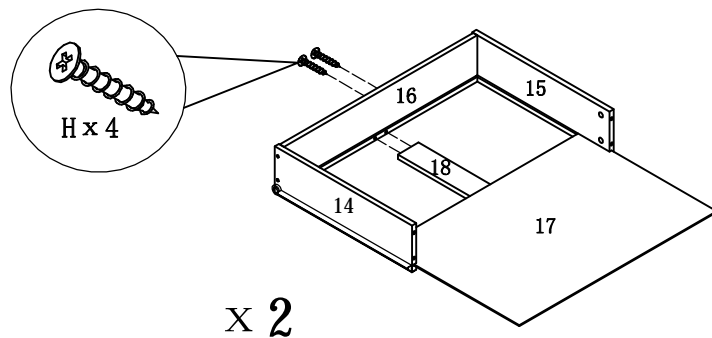
ITEM#: Y5802T

HOW TO	1	2	3	4
 Cam Bolt   Cam Lock				
	1. Screw Cam Bolt into panel.	2. Insert Cam Bolt into bolt hole of joining panel.	3. Insert Cam Lock. arrow facing bolt.	4. Gently turn Cam Lock clockwise to lock position.



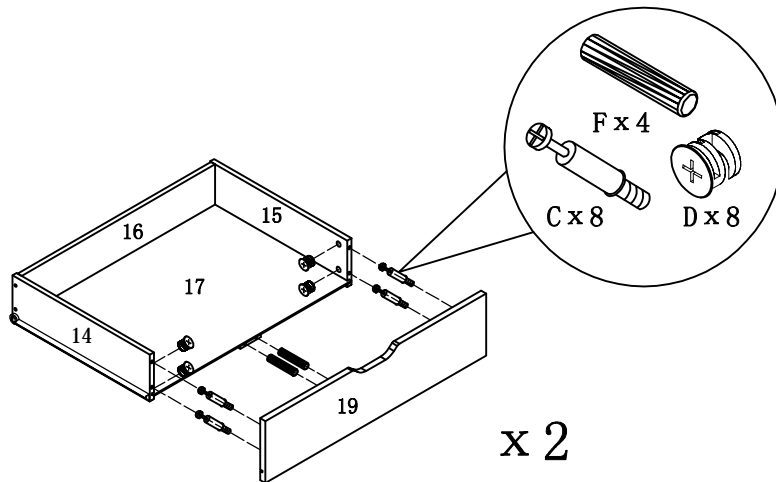
STEP1

STEP2



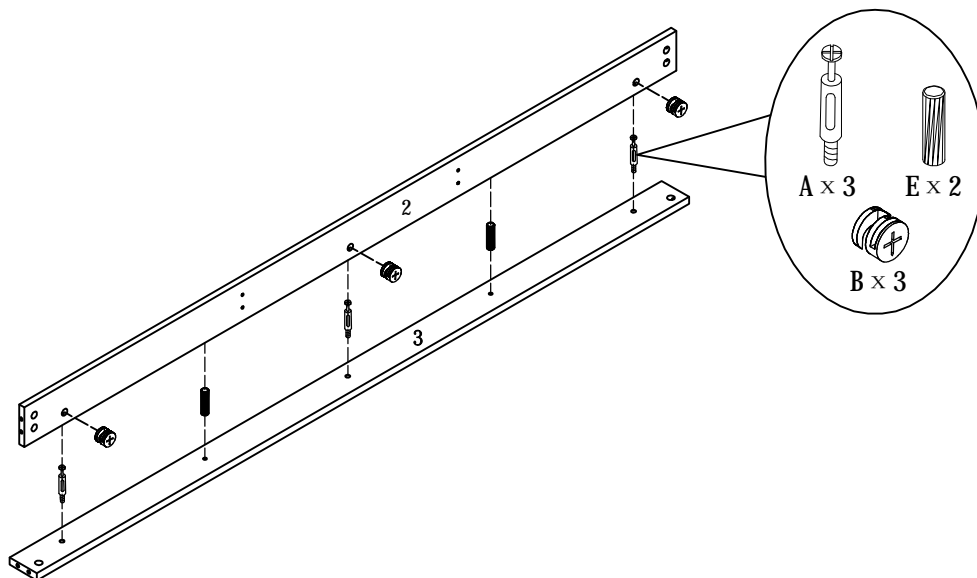
# ASSEMBLY INSTRUCTION

ITEM#: Y5802T



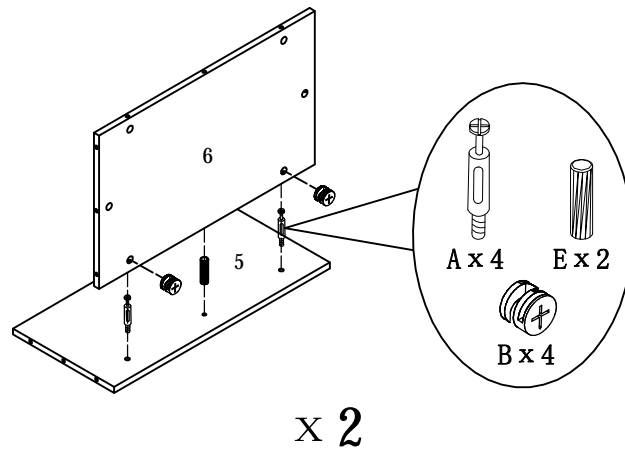
STEP3

STEP4



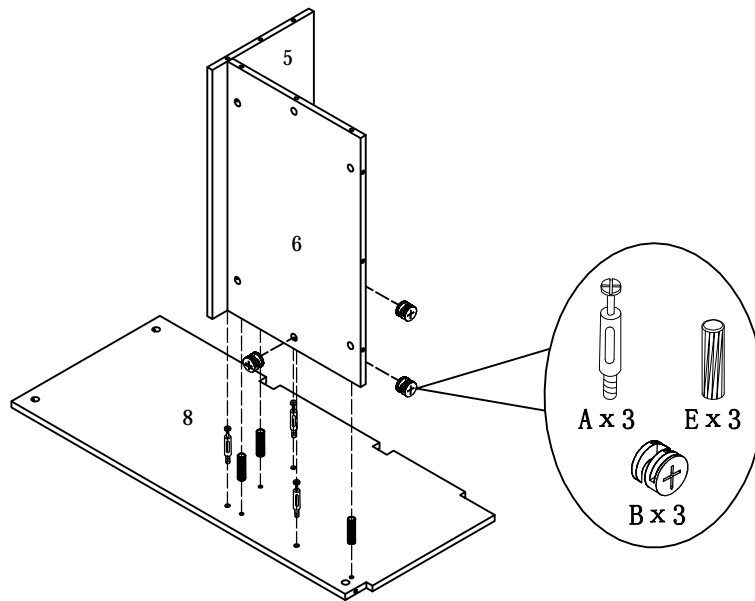
# ASSEMBLY INSTRUCTION

ITEM#: Y5802T



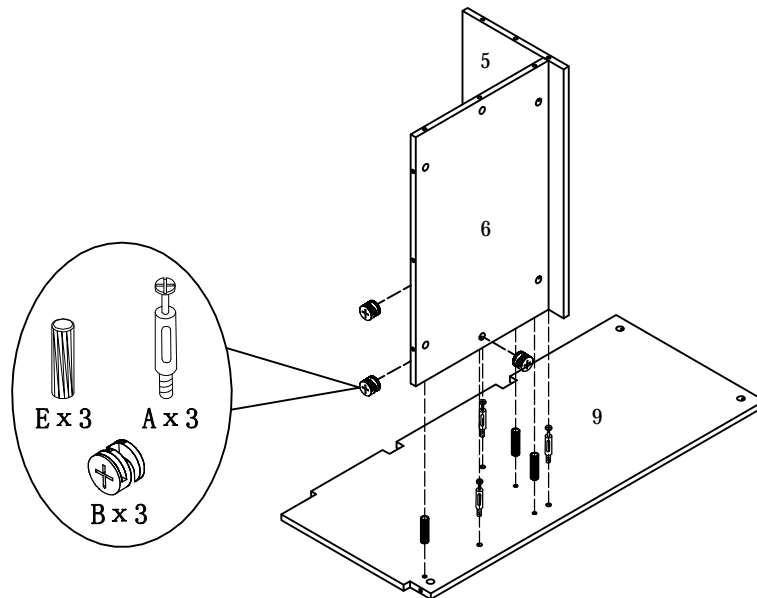
STEP5

STEP6



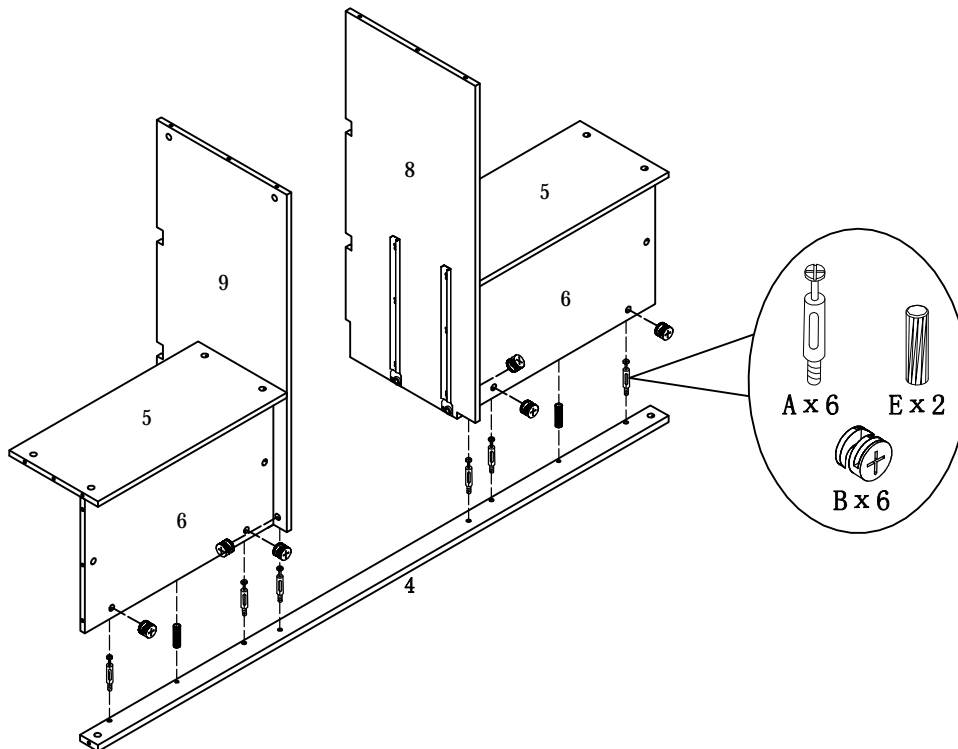
# ASSEMBLY INSTRUCTION

ITEM#: Y5802T



STEP 7

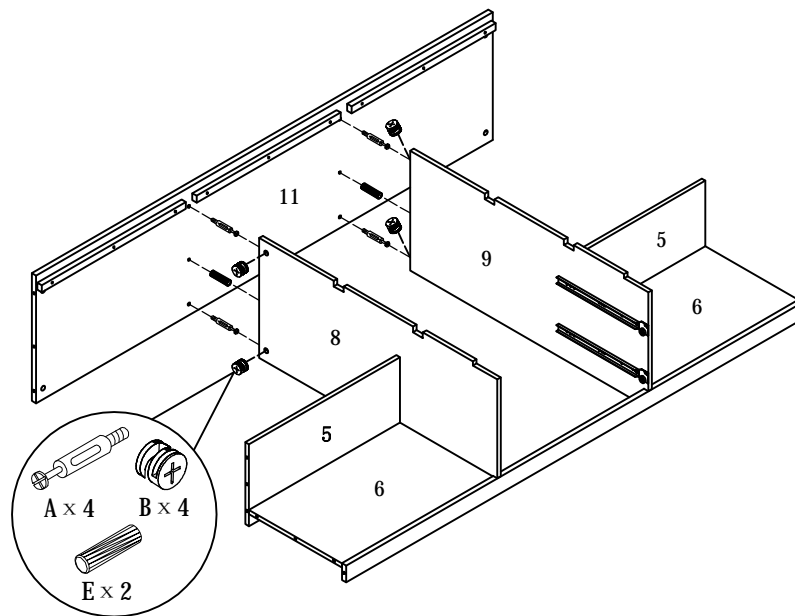
STEP 8





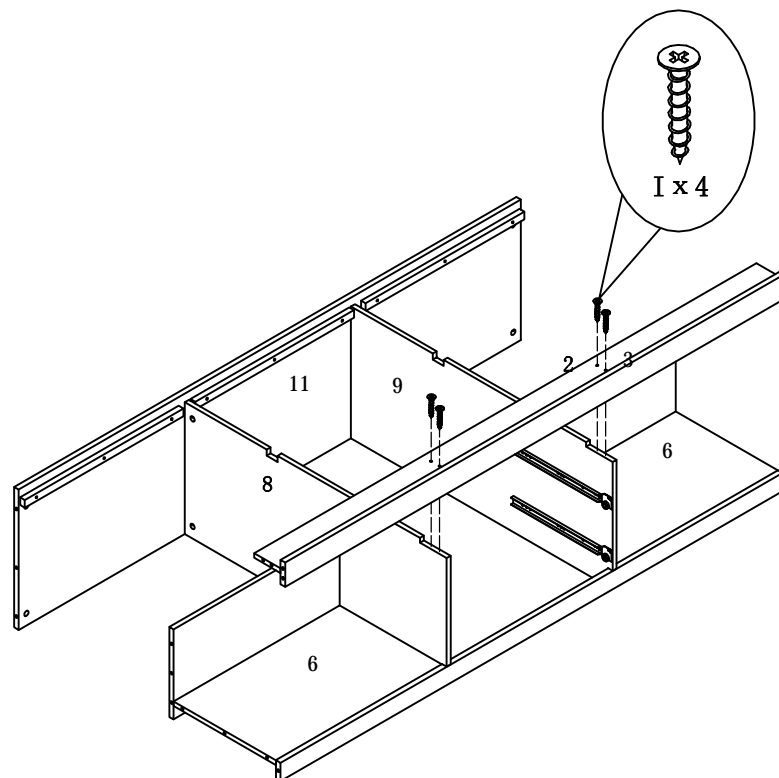
# ASSEMBLY INSTRUCTION

ITEM#: Y5802T



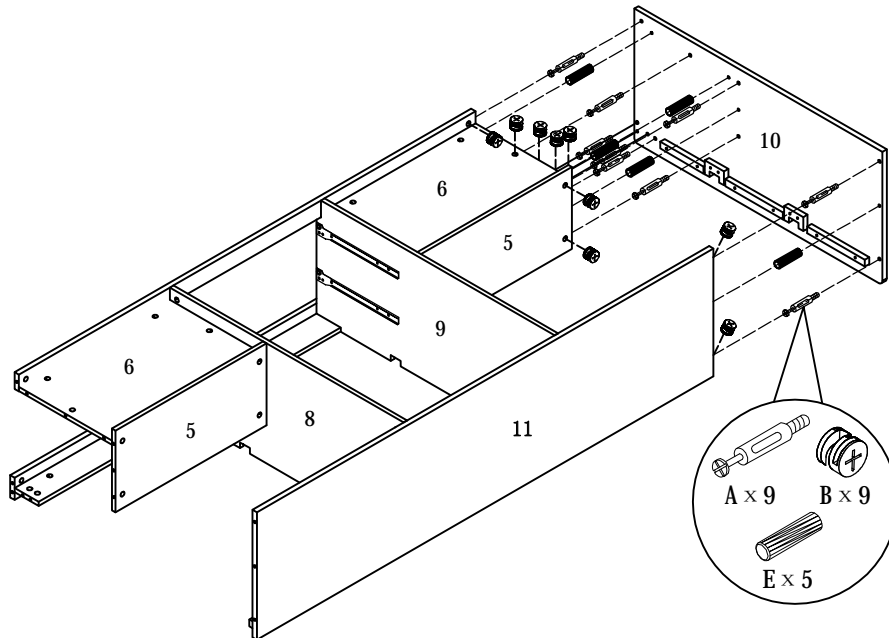
STEP9

STEP10



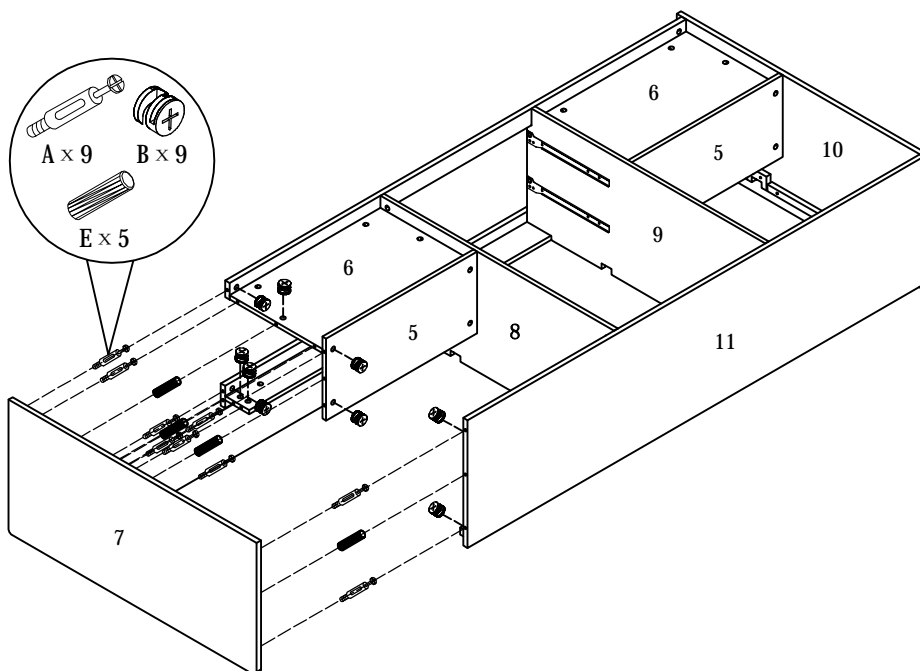
# ASSEMBLY INSTRUCTION

ITEM#: Y5802T



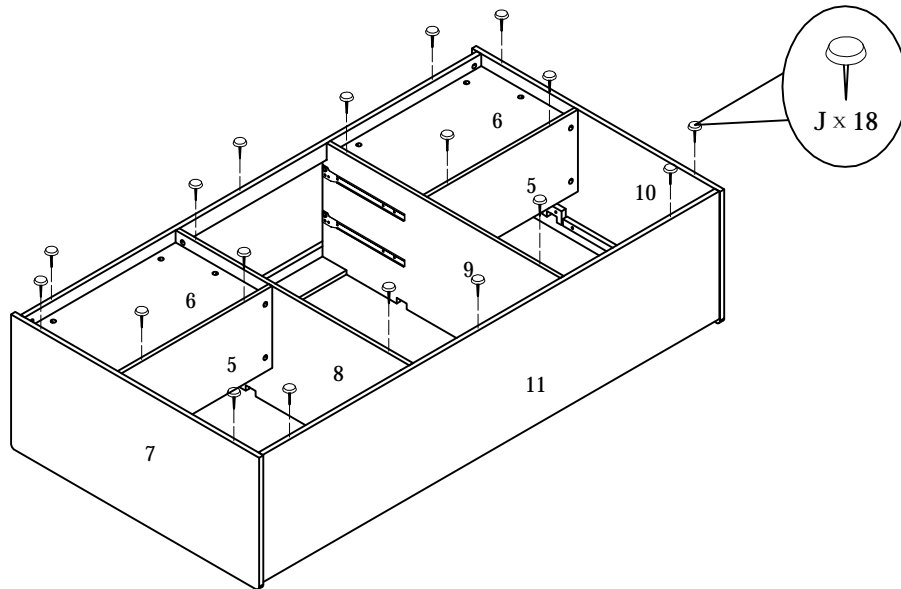
STEP 11

STEP 12



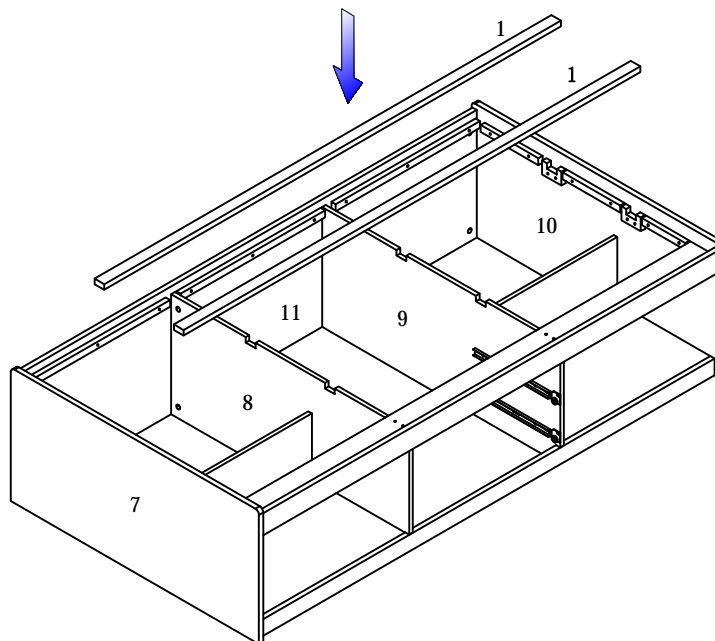
# ASSEMBLY INSTRUCTION

ITEM#: Y5802T



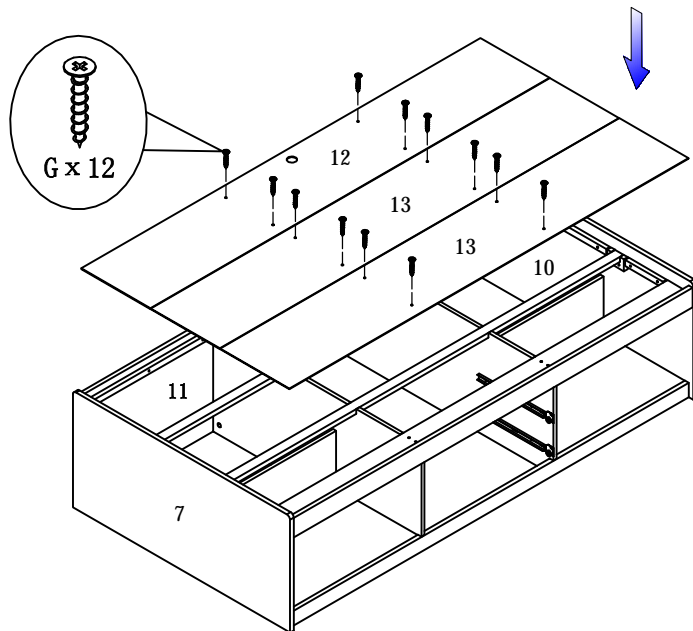
STEP13

STEP14



# ASSEMBLY INSTRUCTION

ITEM#: Y5802T



STEP 15

STEP 16

