

ASSEMBLY INSTRUCTION

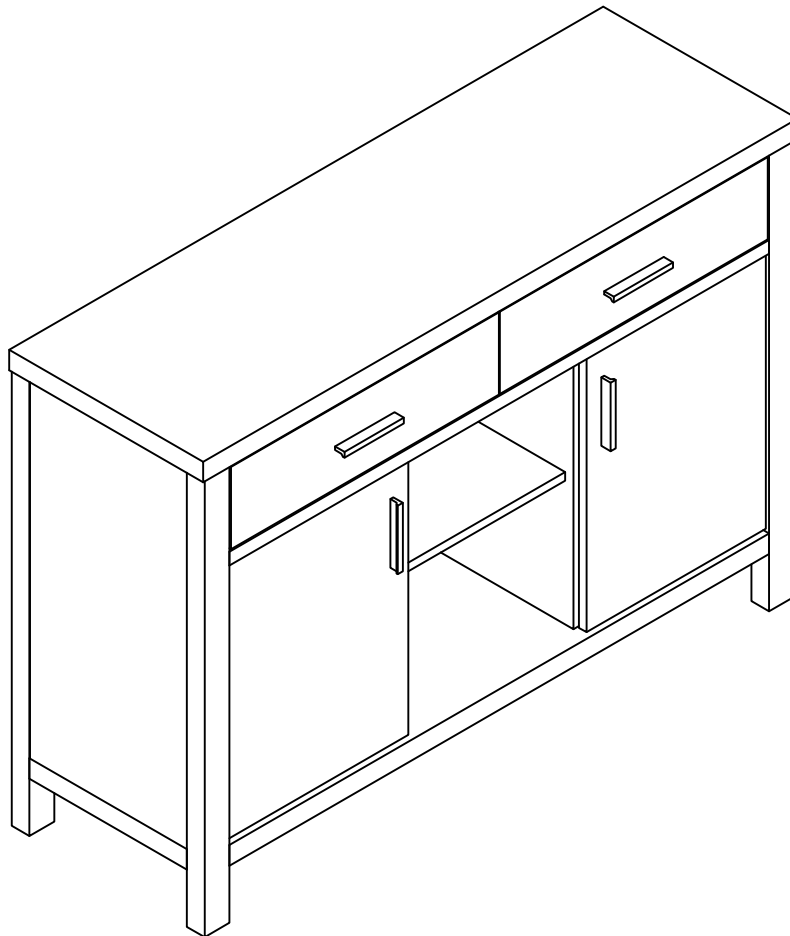
PLEASE READ BEFORE ASSEMBLING!

Tip #1: Make sure you've taken all the pieces and hardware out of its packaging before discarding the box.

Tip #2: Using page 2 and/or page 3 of instruction manual make sure all pieces and hardware are accounted for.

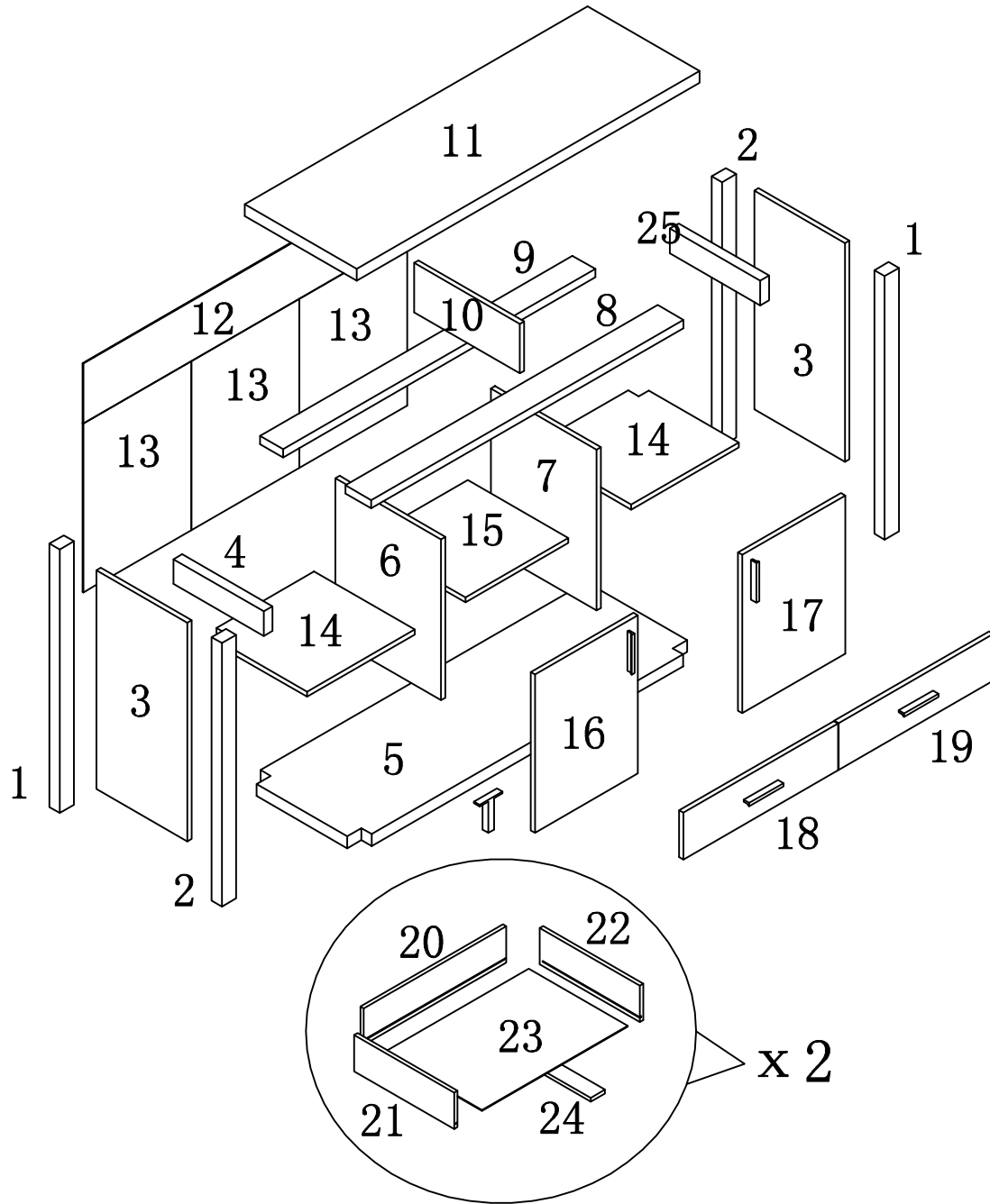
Tip #3: Read manual before assembling, it helps!

ITEM#: 11463 151199



PARTS IDENTIFICATION

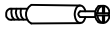


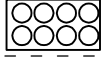
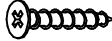
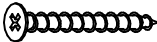
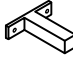


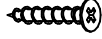
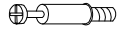


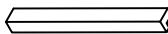







ITEM#: 11463 151199



(1)	2pcs	(8)	1pc	(15)	1pc	(22)	2pcs
(2)	2pcs	(9)	1pc	(16)	1pc	(23)	2pcs
(3)	2pcs	(10)	1pc	(17)	1pc	(24)	2pcs
(4)	1pc	(11)	1pc	(18)	1pc	(25)	1pc
(5)	1pc	(12)	1pc	(19)	1pc		
(6)	1pc	(13)	3pcs	(20)	2pcs		
(7)	1pc	(14)	2pcs	(21)	2pcs		

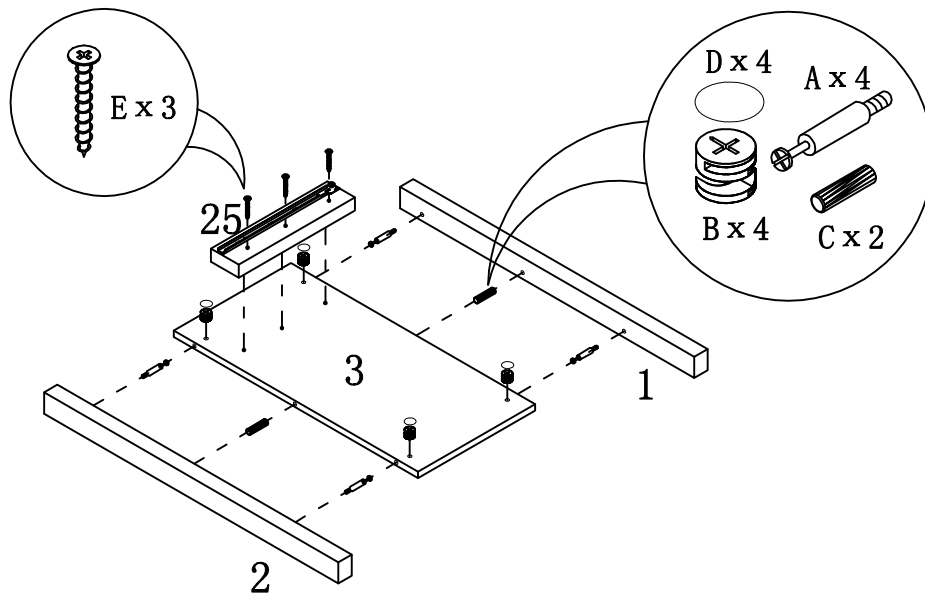
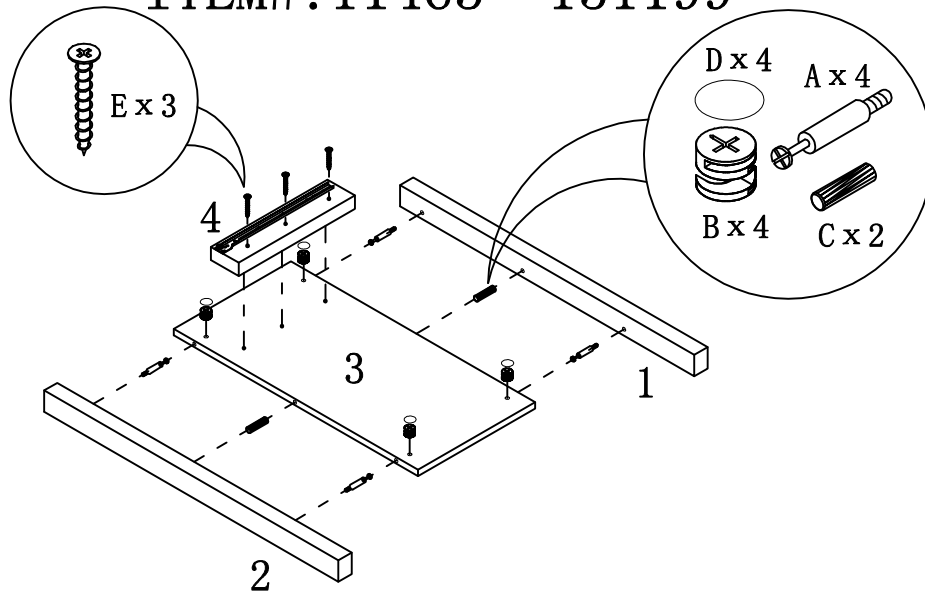
HARDWARE IDENTIFICATION

ITEM#: 11463 151199

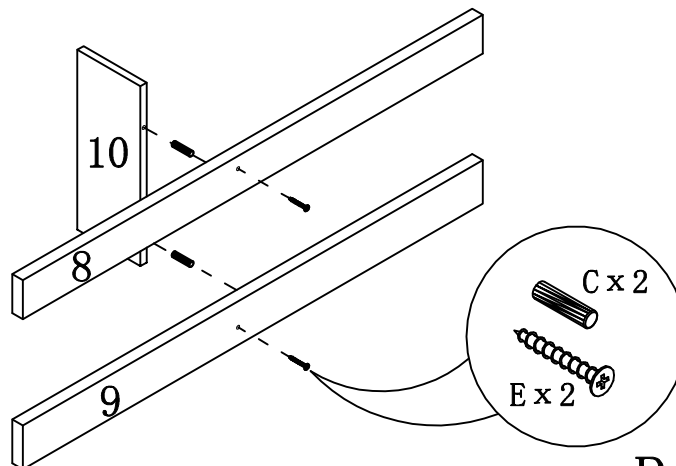
A		L29	22pcs
B		φ 15	22pcs
C		φ 8 x 25	19pcs
D		φ 18	8pcs
E		φ 4 x 30	20pcs
F		φ 4 x 50	8pcs
G		80 x 25 x 102H	1pc
H		φ 4 x 16	2pcs
I		Z1016	54pcs
J		φ 4 x 25	4pcs
K		L20	8pcs
L		φ 10	8pcs
M		φ 6 x 30	4pcs
N		96MM	4pcs
O		φ 4 x 22	8pcs
P		φ 5	12pcs
Q		φ 8	2sets
R			2sets
S		φ 3 x 16	4pcs
T		φ 3 x 14	4pcs
U		Glue: For securing please apply to wood dowel first before inserting into panel	1pc

ASSEMBLY INSTRUCTION

ITEM#: 11463 151199

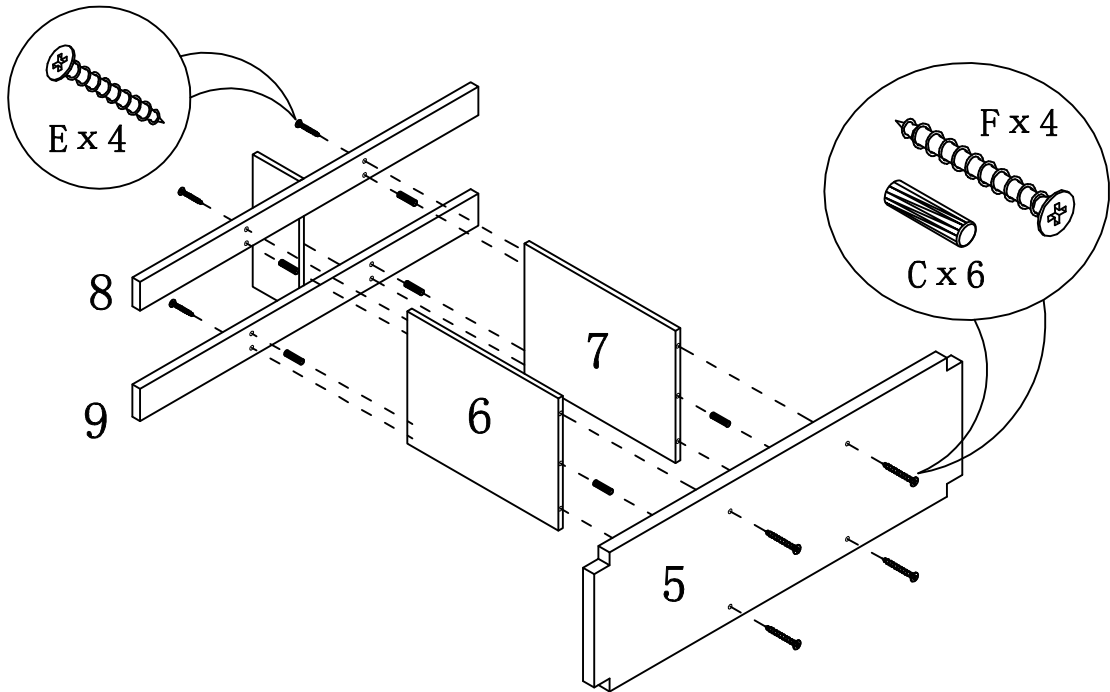


STEP 3



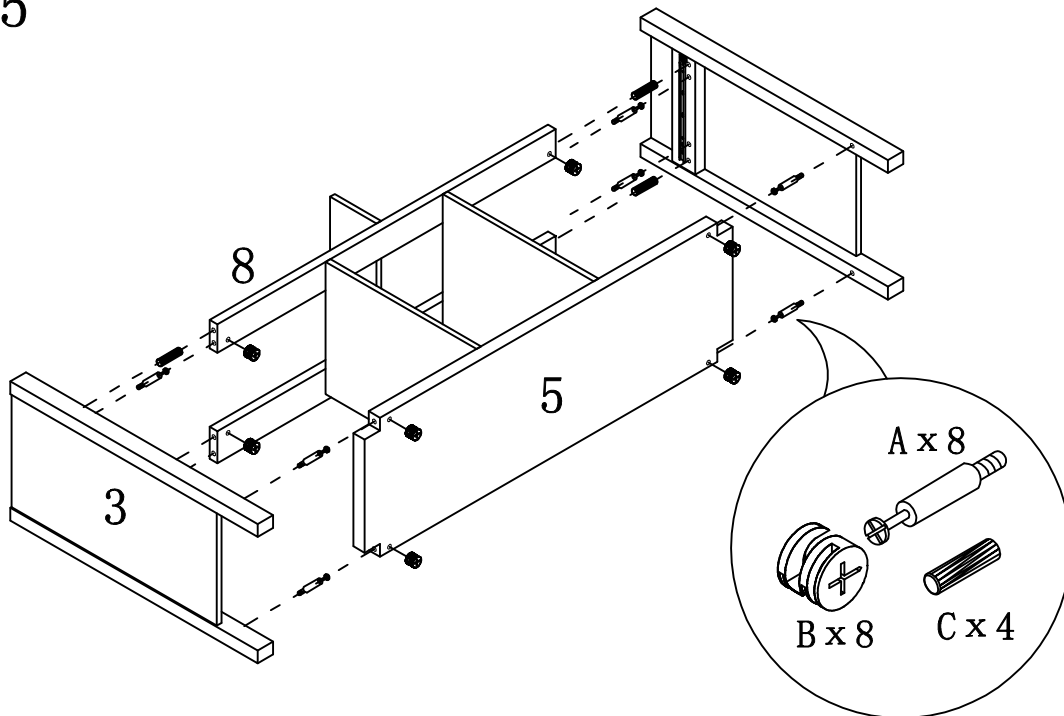
ASSEMBLY INSTRUCTION

ITEM#: 11463 151199



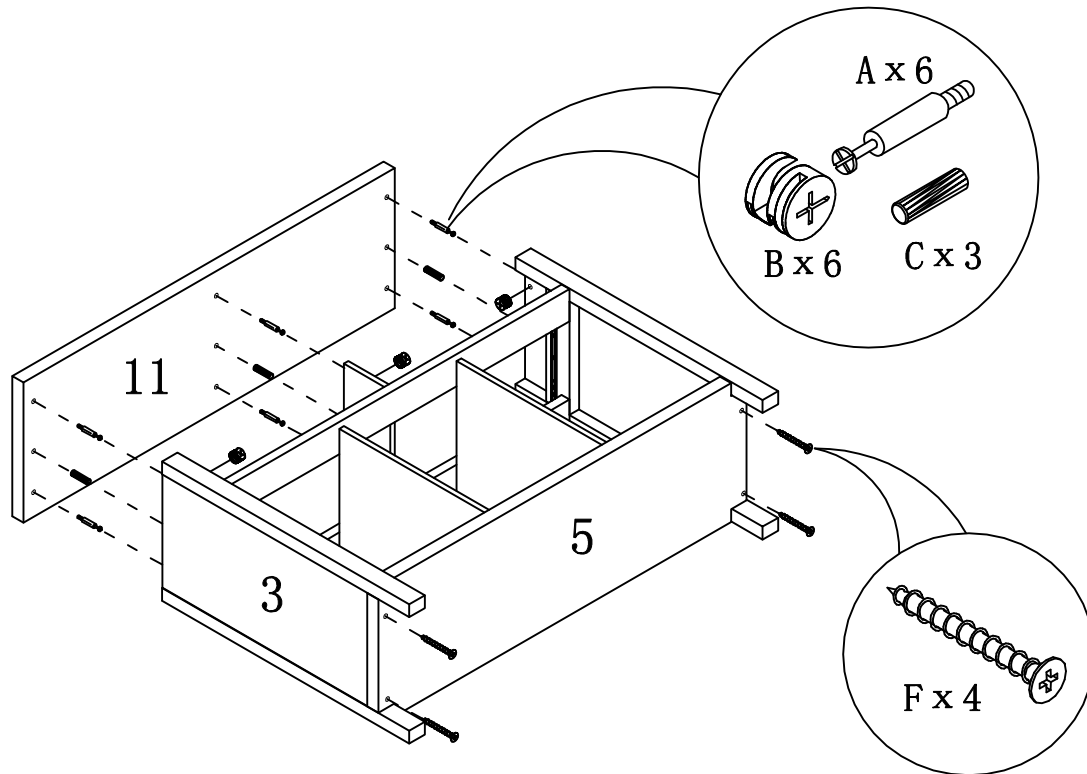
STEP4

STEP5



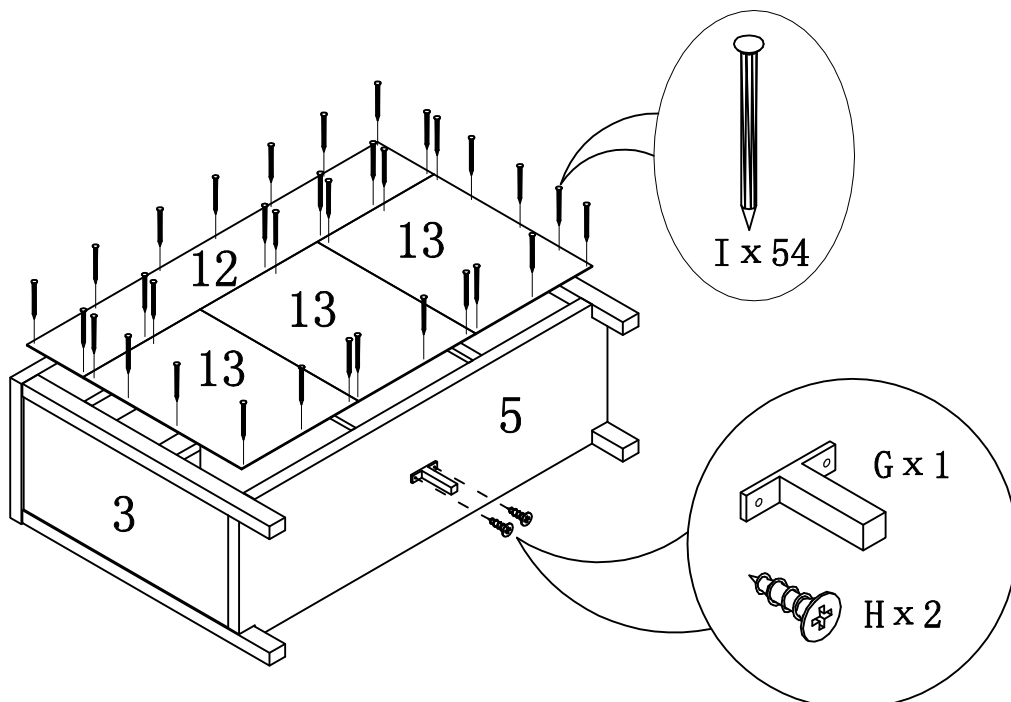
ASSEMBLY INSTRUCTION

ITEM#: 11463 151199



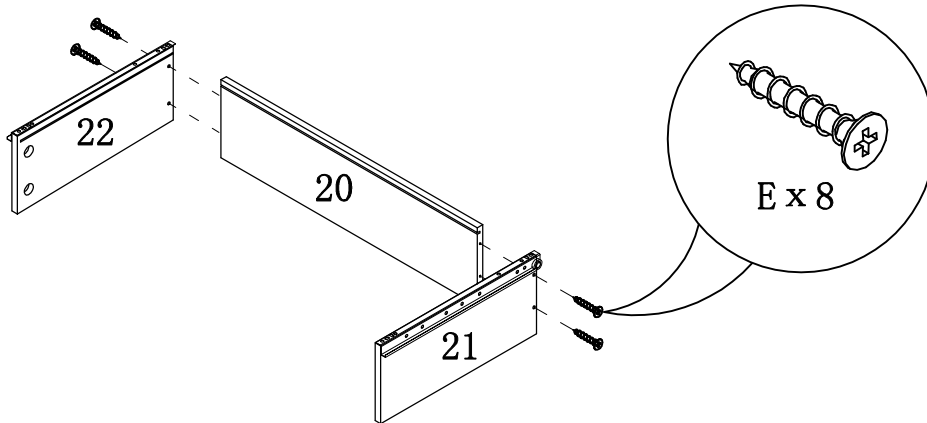
STEP 6

STEP 7



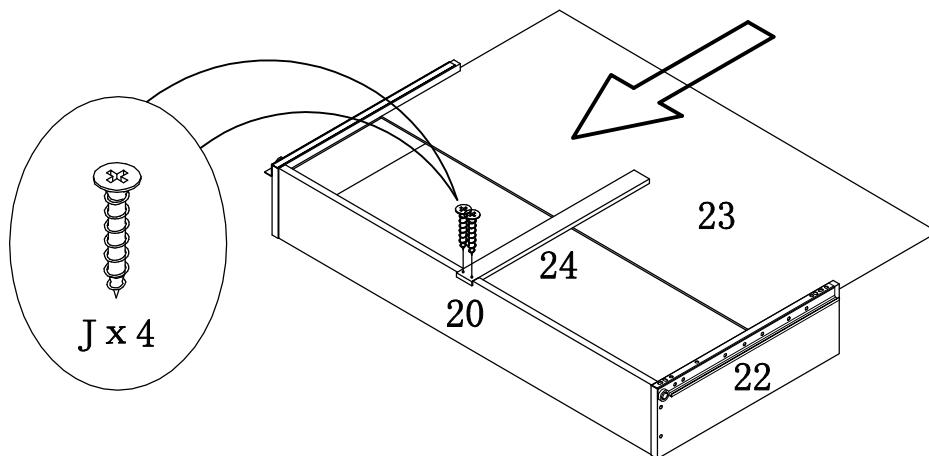
ASSEMBLY INSTRUCTION

ITEM#: 11463 151199

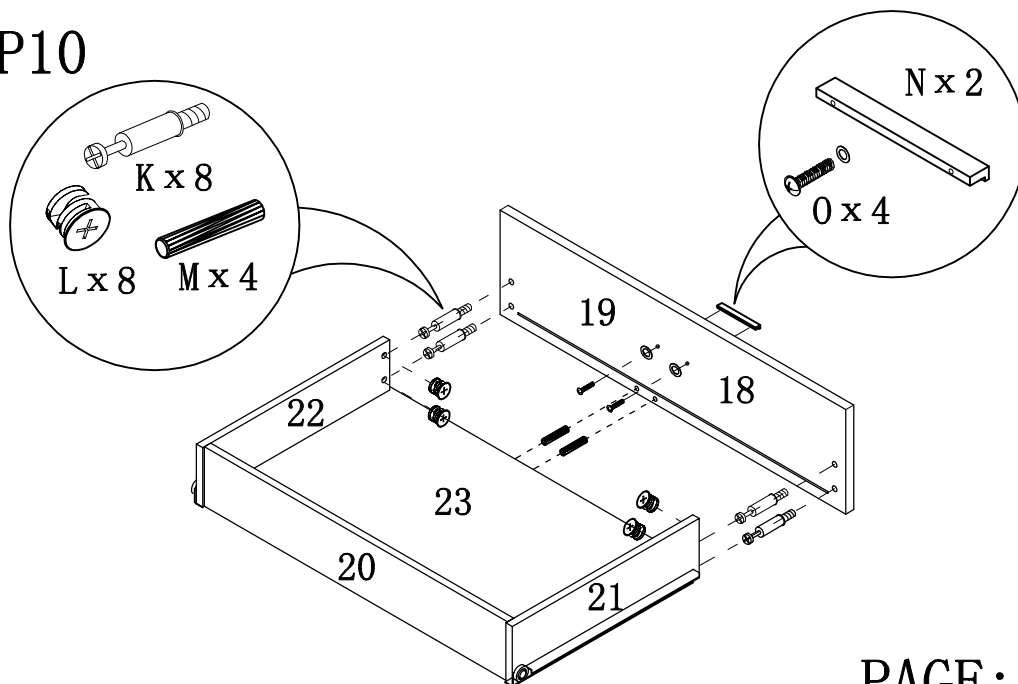


STEP 8

STEP 9

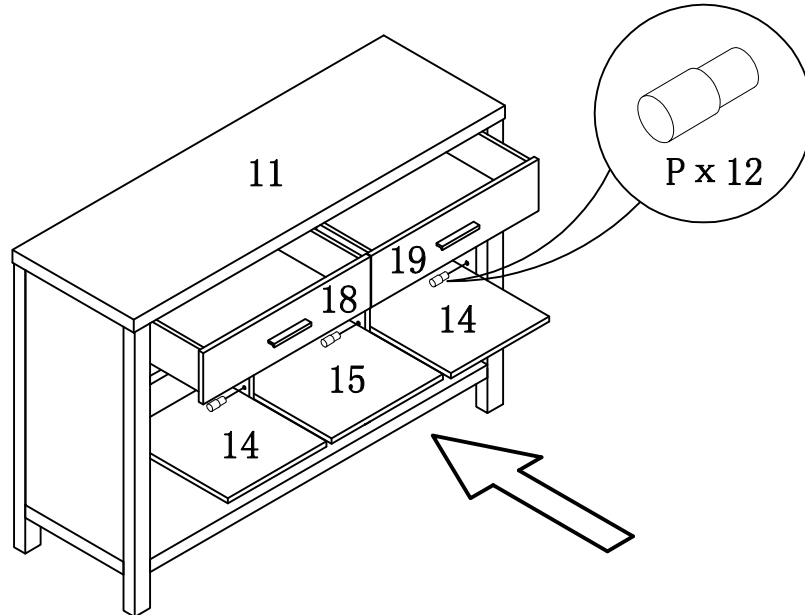


STEP 10



ASSEMBLY INSTRUCTION

ITEM#: 11463 151199



STEP 11

STEP 12

