

ASSEMBLY INSTRUCTION

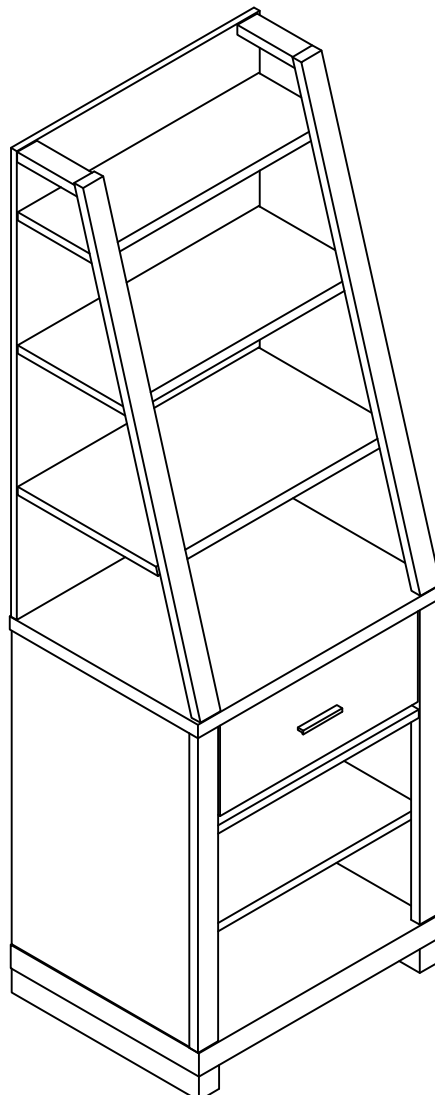
PLEASE READ BEFORE ASSEMBLING!

Tip #1: Make sure you've taken all the pieces and hardware out of its packaging before discarding the box.

Tip #2: Using page 2 and/or page 3 of instruction manual make sure all pieces and hardware are accounted for.

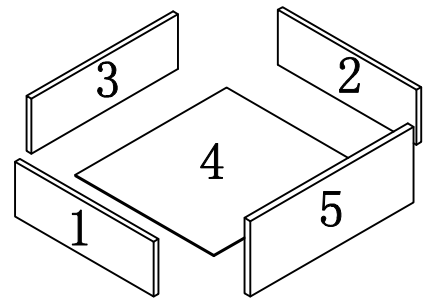
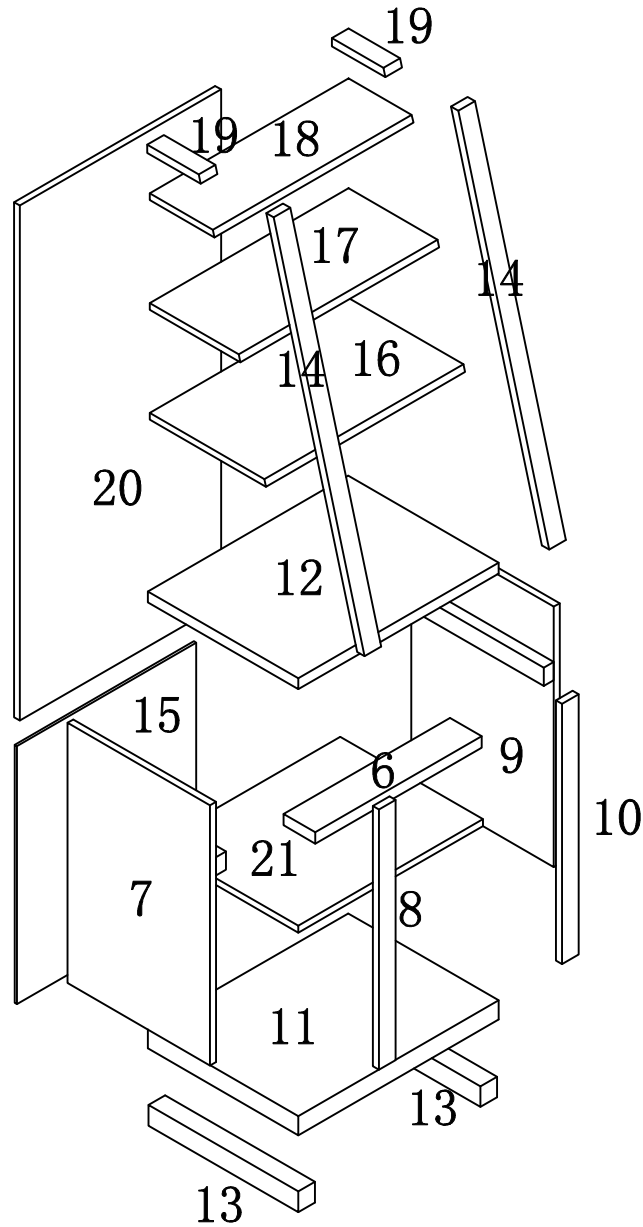
Tip #3: Read manual before assembling, it helps!

ITEM#: 13595



PARTS IDENTIFICATION

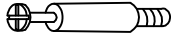


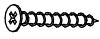
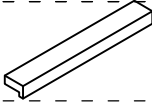

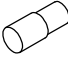

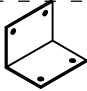
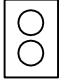
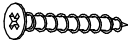

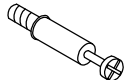

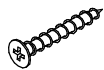


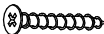

ITEM#: 13595



(1)	1pc	(8)	1pc	(15)	1pc
(2)	1pc	(9)	1pc	(16)	1pc
(3)	1pc	(10)	1pc	(17)	1pc
(4)	1pc	(11)	1pc	(18)	1pc
(5)	1pc	(12)	1pc	(19)	2pcs
(6)	1pc	(13)	2pcs	(20)	1pc
(7)	1pc	(14)	2pcs	(21)	1pc

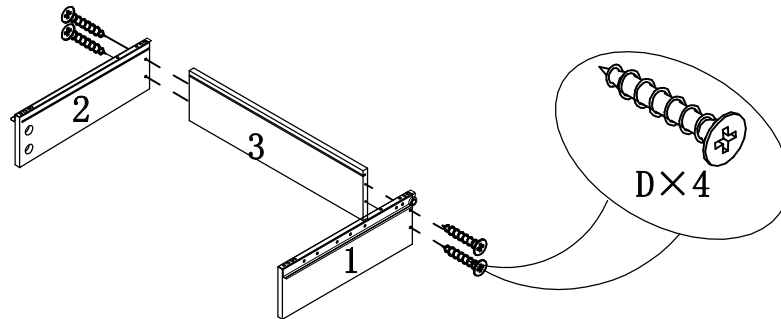
HARDWARE IDENTIFICATION

ITEM#: 13595

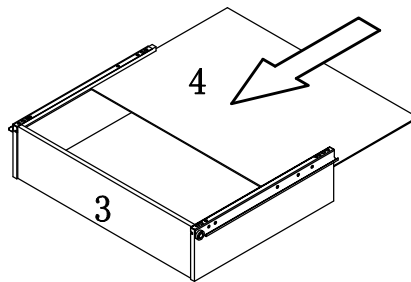
A		L=29	10pcs
B		ø15	10pcs
C		ø8 x 25	13pcs
D		ø4 x 30	4pcs
E		64#	1pc
F		ø4 x 22	2pcs
G		ø5	4pcs
H		ø4x16	16pcs
I		30x30x30	4pcs
J		ø18	2pcs
K		ø4x50	8pcs
L		ø16	4pcs
M		L20	4pcs
N		φ 12	4pcs
O	 BK	ø4 x 30	8pcs
P		ø6 x 30	9pcs
Q		Z1016	20pcs
R		ø4 x 40	4pcs
S		Glue: For securing please apply to wood dowel first before inserting into panel	1pc

ASSEMBLY INSTRUCTION

ITEM#: 13595

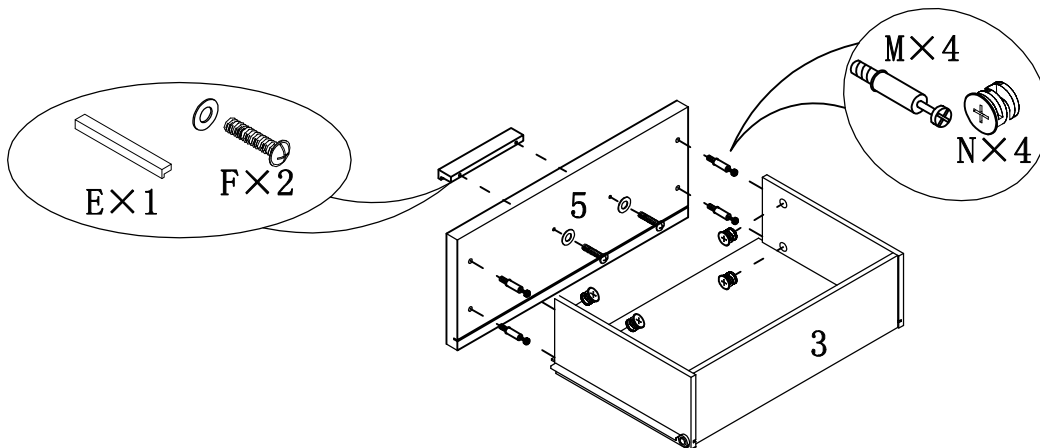


STEP 1



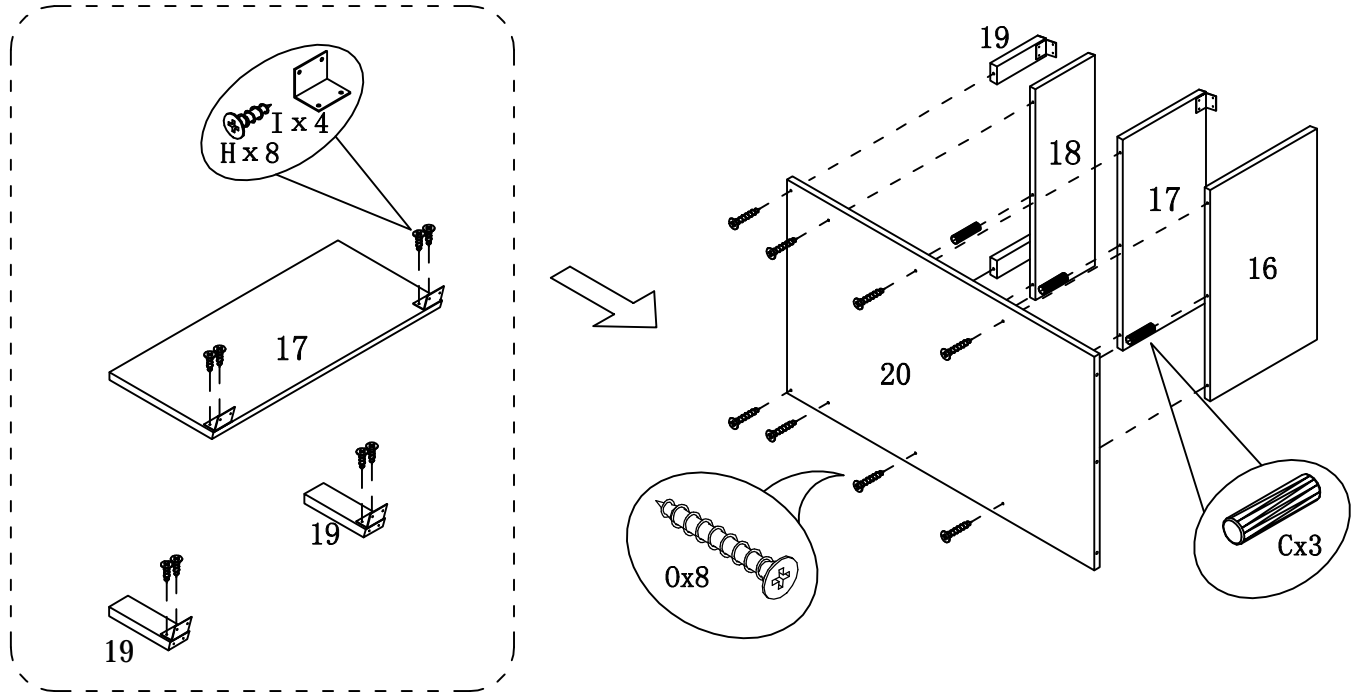
STEP 2

STEP 3



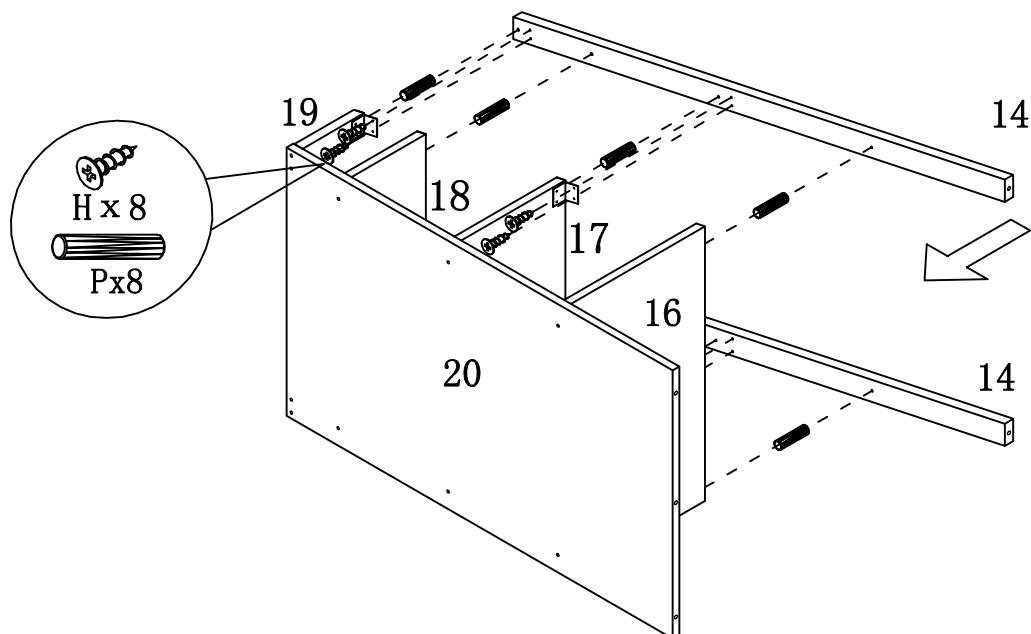
ASSEMBLY INSTRUCTION

ITEM#: 13595



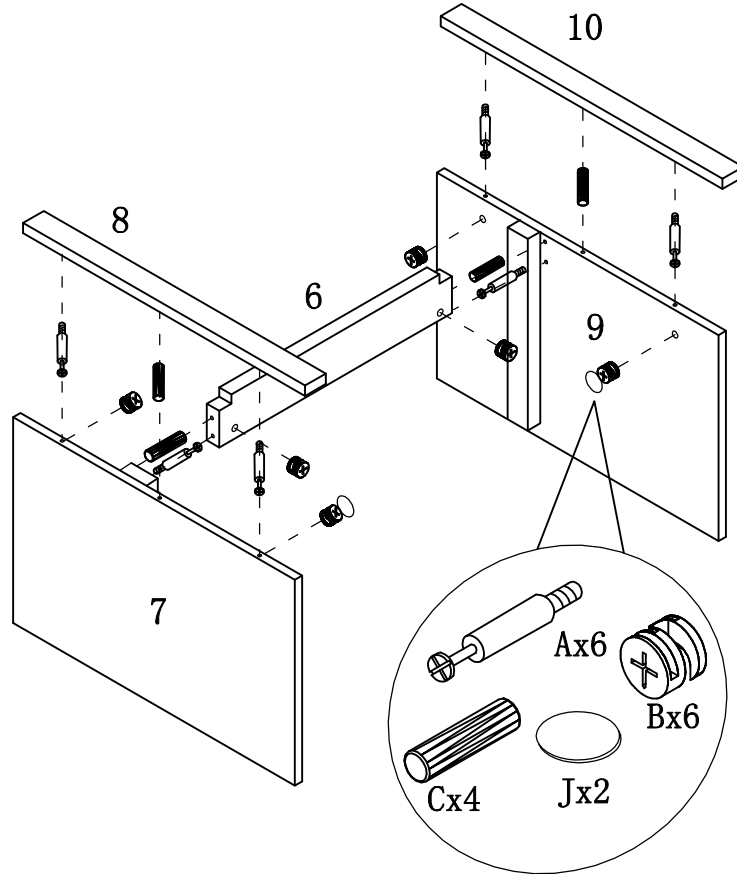
STEP 4

STEP 5



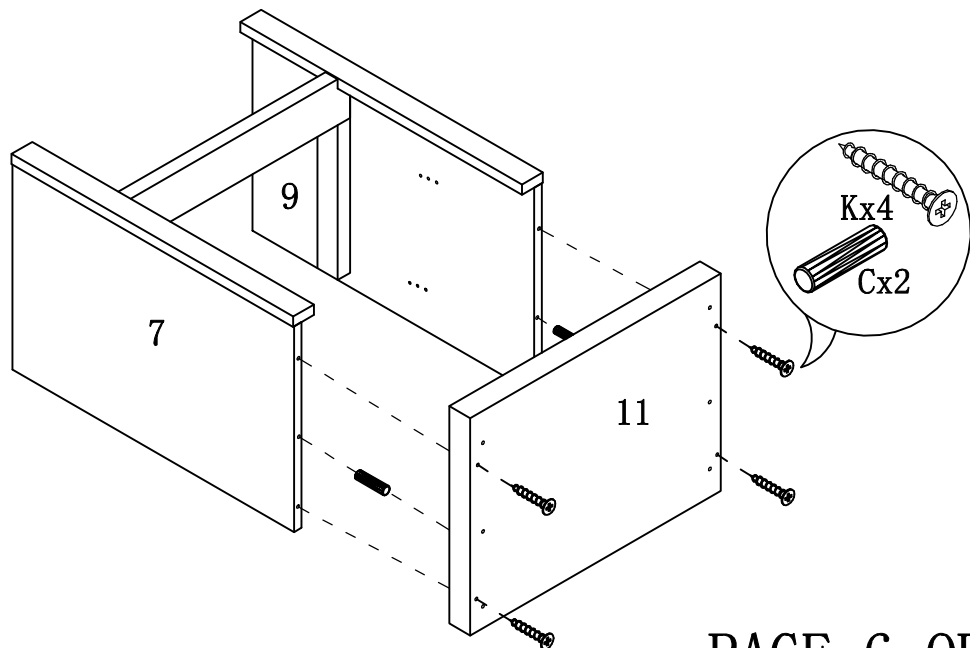
ASSEMBLY INSTRUCTION

ITEM#: 13595



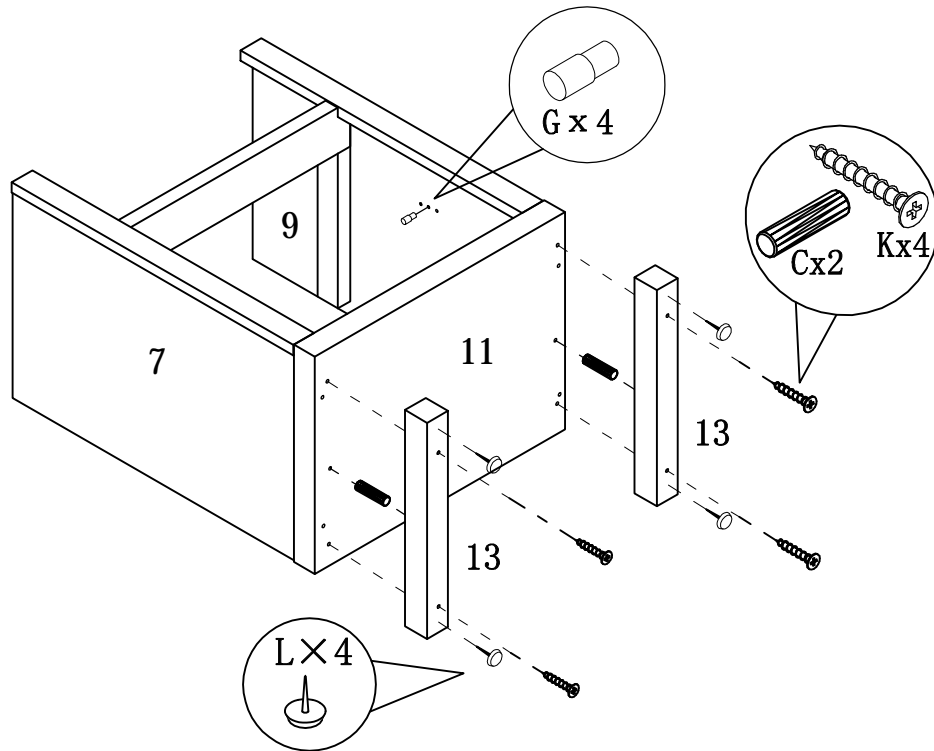
STEP 6

STEP 7



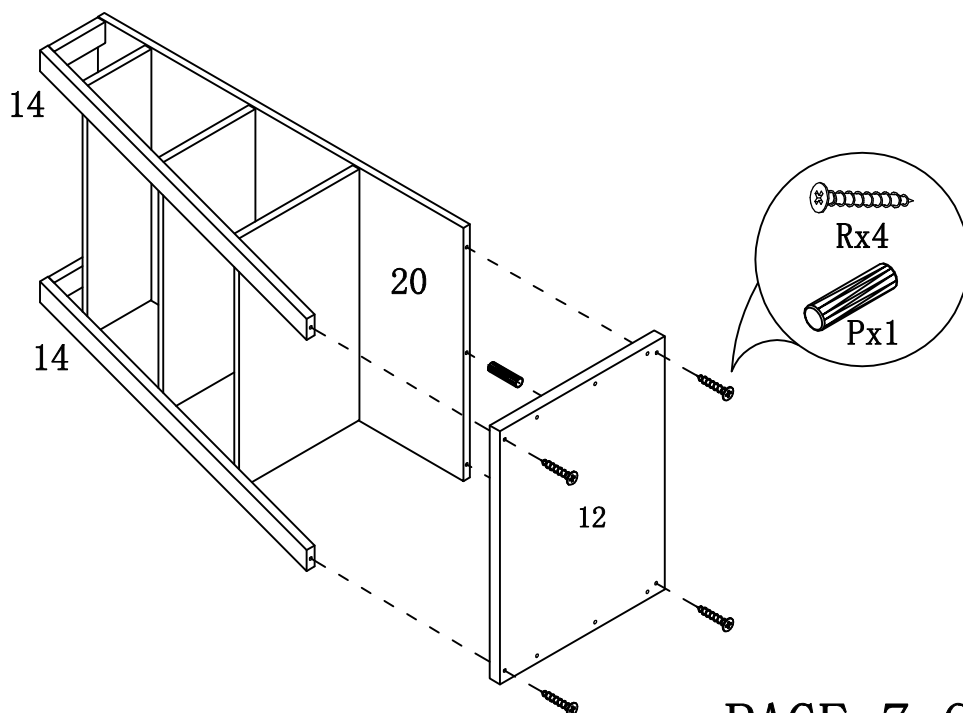
ASSEMBLY INSTRUCTION

ITEM#: 13595



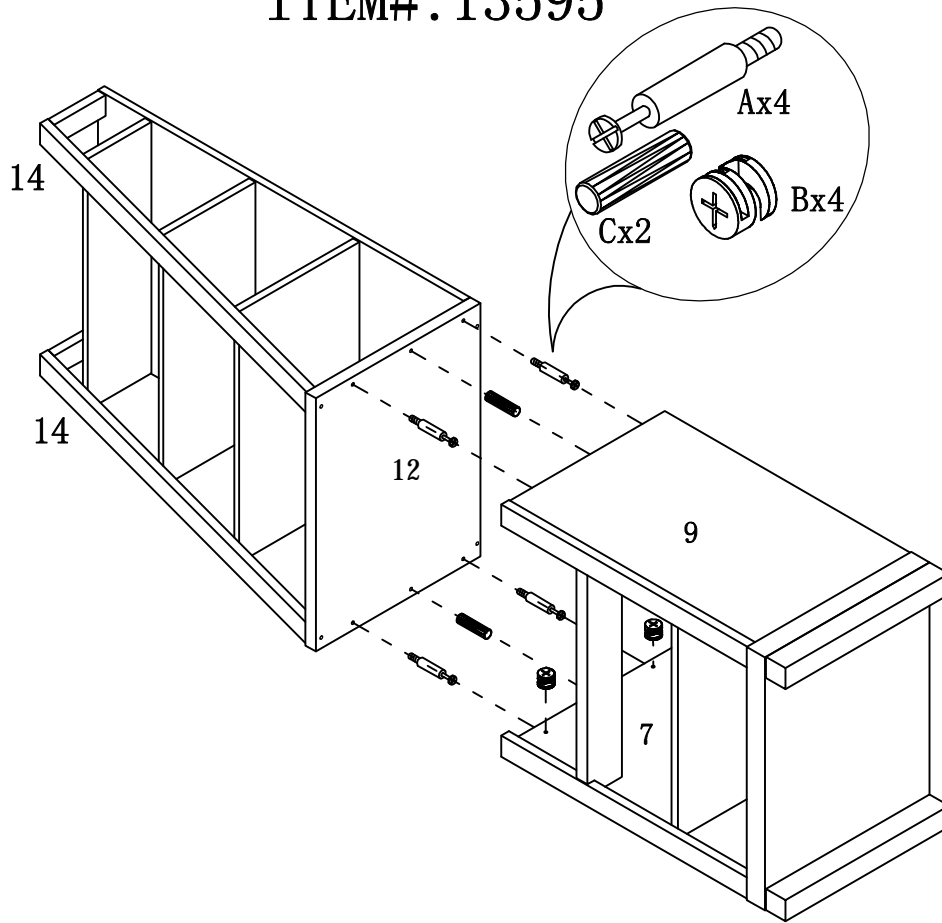
STEP 8

STEP 9



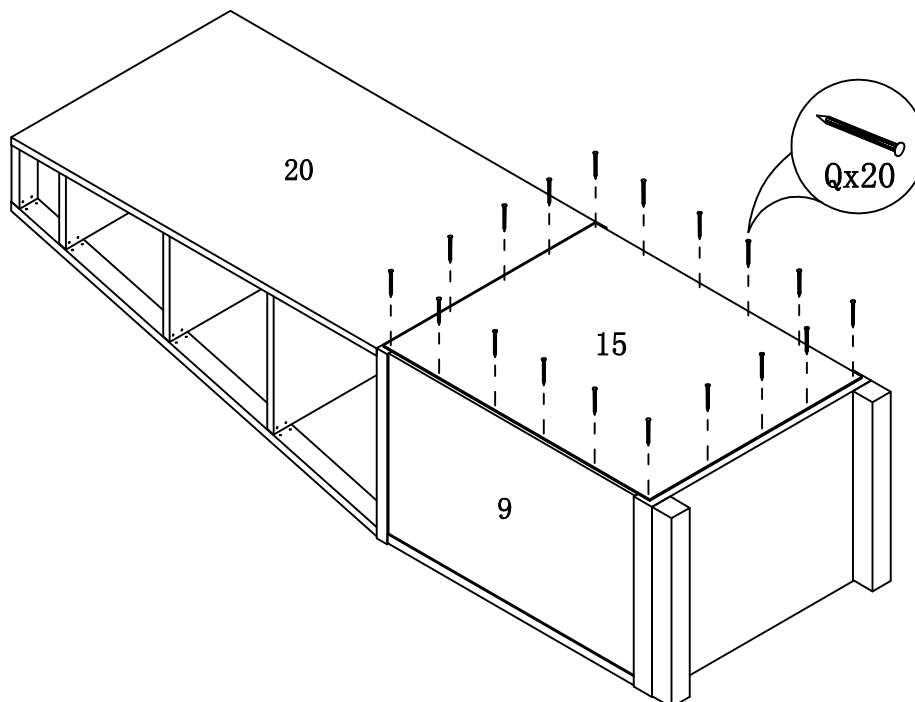
ASSEMBLY INSTRUCTION

ITEM#: 13595



STEP 10

STEP 11



ASSEMBLY INSTRUCTION

ITEM#: 13595

