

ASSEMBLY INSTRUCTION

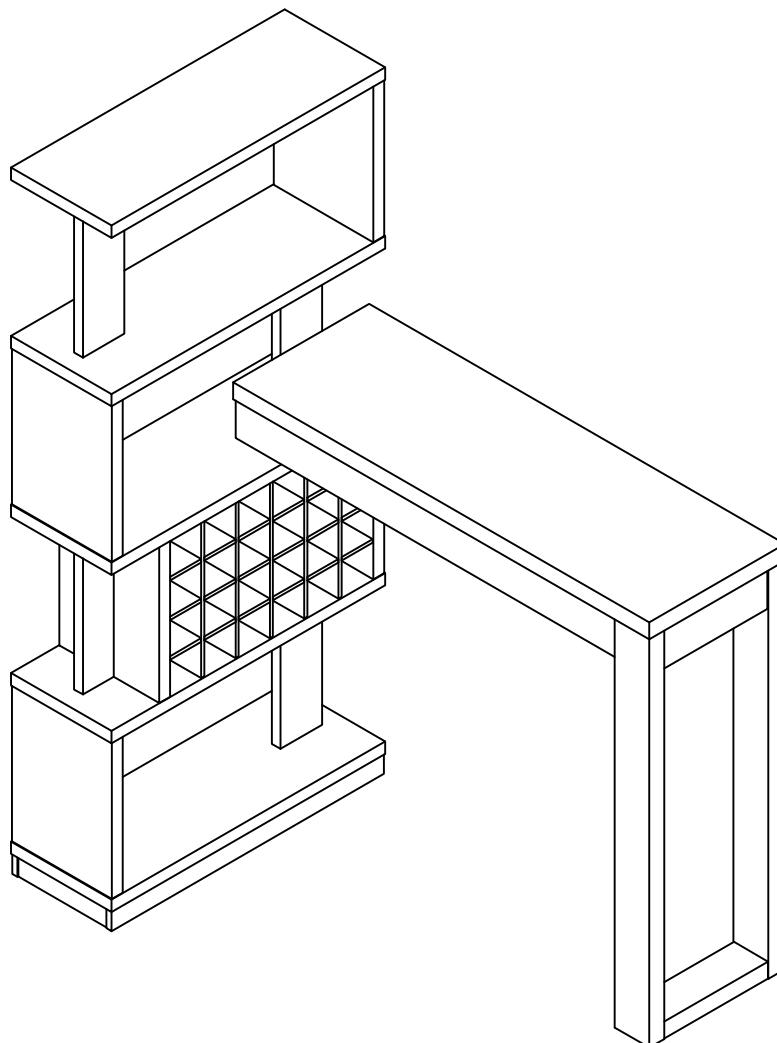
PLEASE READ BEFORE ASSEMBLING!

Tip #1: Make sure you've taken all the pieces and hardware out of its packaging before discarding the box.

Tip #2: Using page 2 and/or page 3 of instruction manual make sure all pieces and hardware are accounted for.

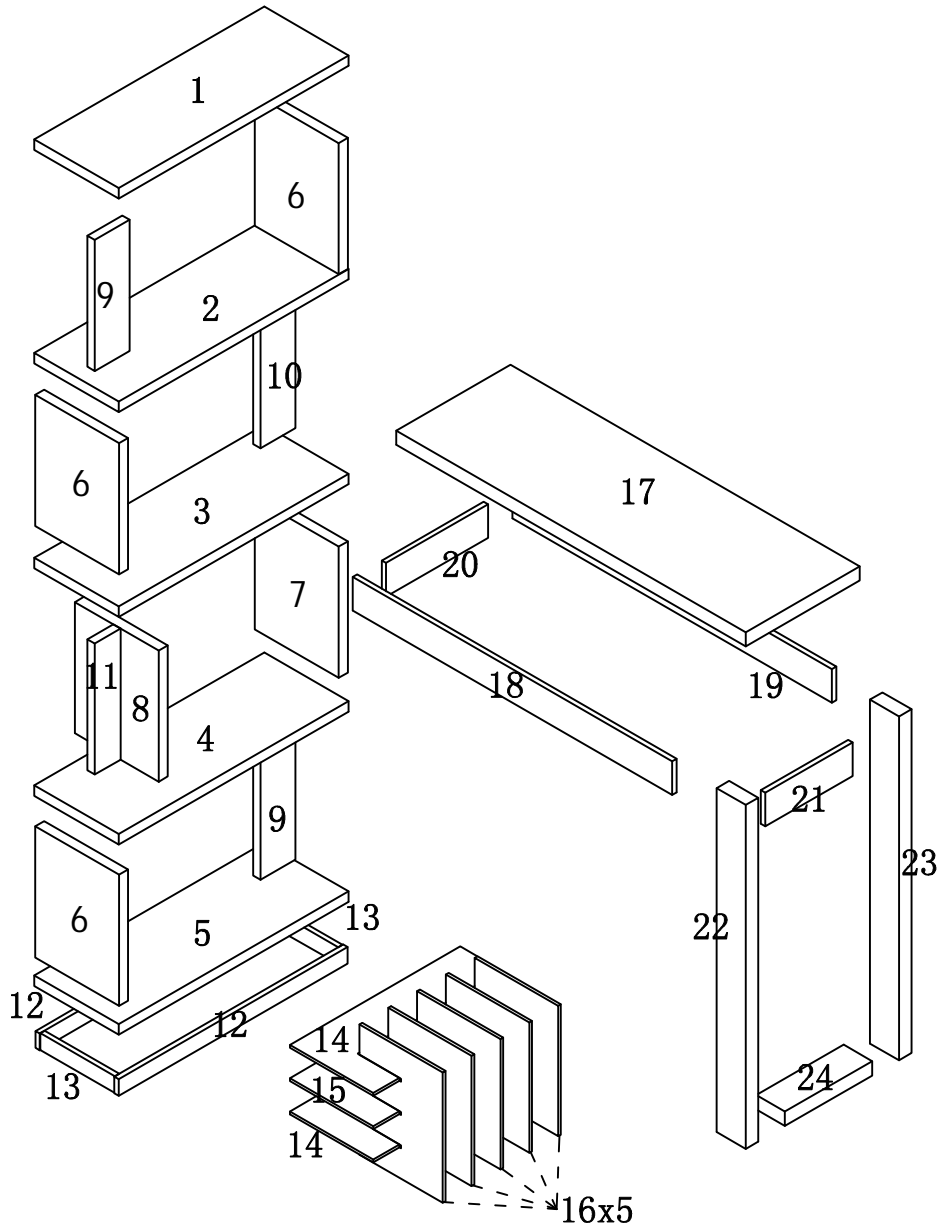
Tip #3: Read manual before assembling, it helps!

ITEM#: 14902



PARTS IDENTIFICATION

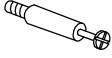

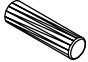



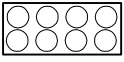
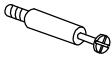



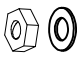

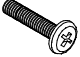
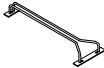
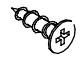

ITEM#: 14902



(1)	1pc	(9)	1pc	(17)	1pc
(2)	1pc	(10)	1pc	(18)	1pc
(3)	1pc	(11)	1pc	(19)	1pc
(4)	1pc	(12)	2pcs	(20)	1pc
(5)	1pc	(13)	4pcs	(21)	1pc
(6)	3pcs	(14)	2pcs	(22)	1pc
(7)	1pc	(15)	1pc	(23)	1pc
(8)	1pc	(16)	5pcs	(24)	1pc

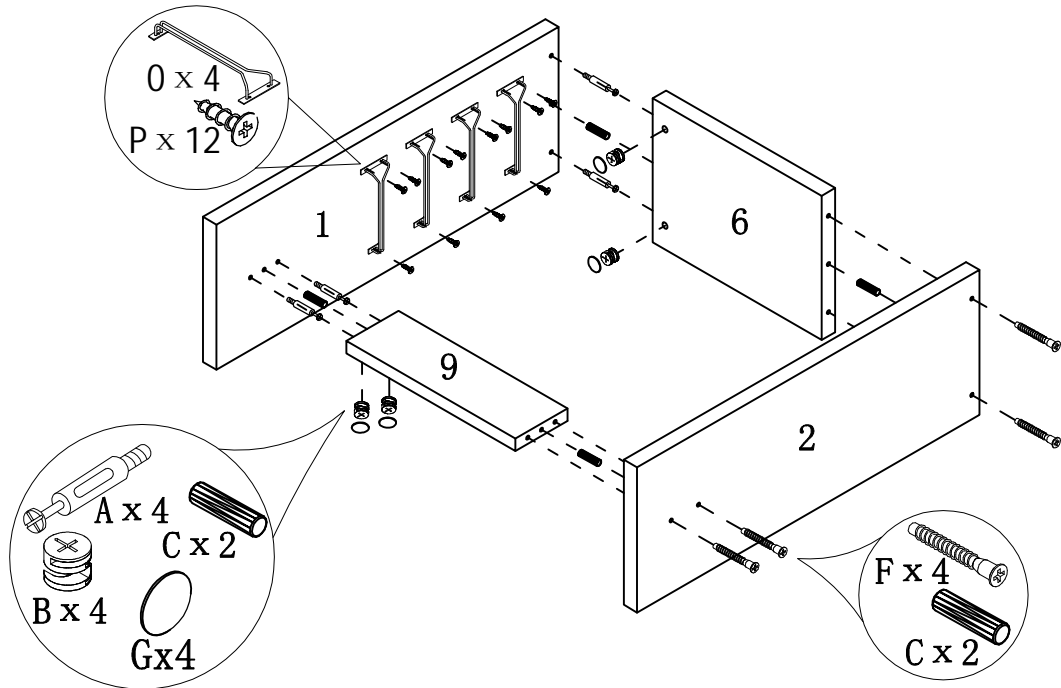
HARDWARE IDENTIFICATION

ITEM#: 14902

A		L29	42pcs
B		ø15	42pcs
C		ø8×25	35pcs
D		ø4×50	10pcs
E		ø5	2pcs
F		ø7×48	18pcs
G		ø20	20pcs
H		L23	4pcs
I		ø12	4pcs
J		ø8×70	4pcs
K		M8	4pcs
L		M8	4sets
M		M13	1pc
N		M6×30	2pcs
O		L250	4pcs
P		ø4×16	12pcs
Q		Glue: For securing please apply to wood dowel first before inserting into panel	5pcs

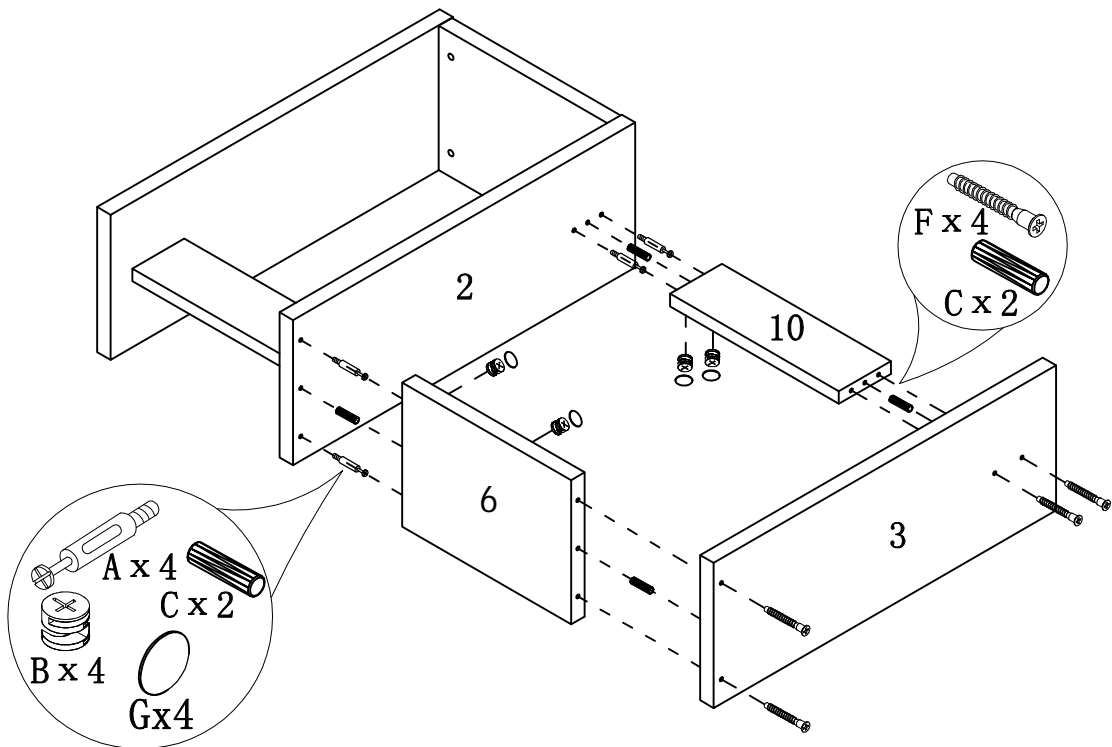
ASSEMBLY INSTRUCTION

ITEM#: 14902



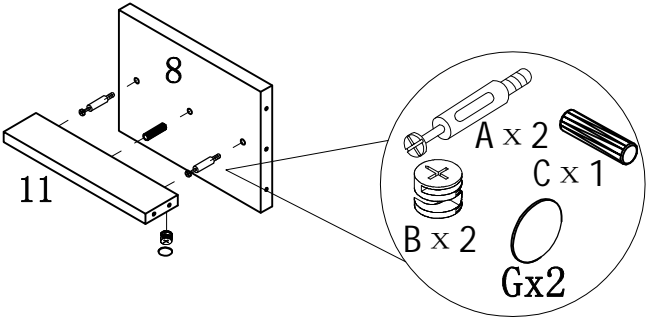
STEP 1

STEP 2



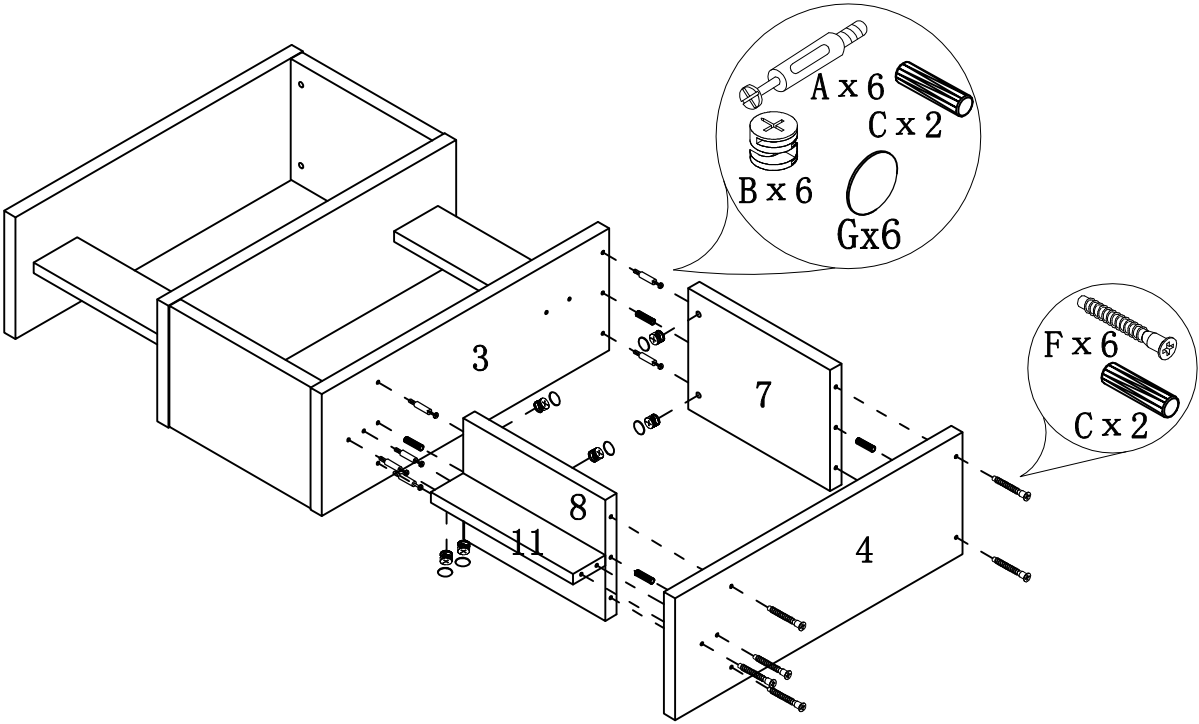
ASSEMBLY INSTRUCTION

ITEM#: 14902



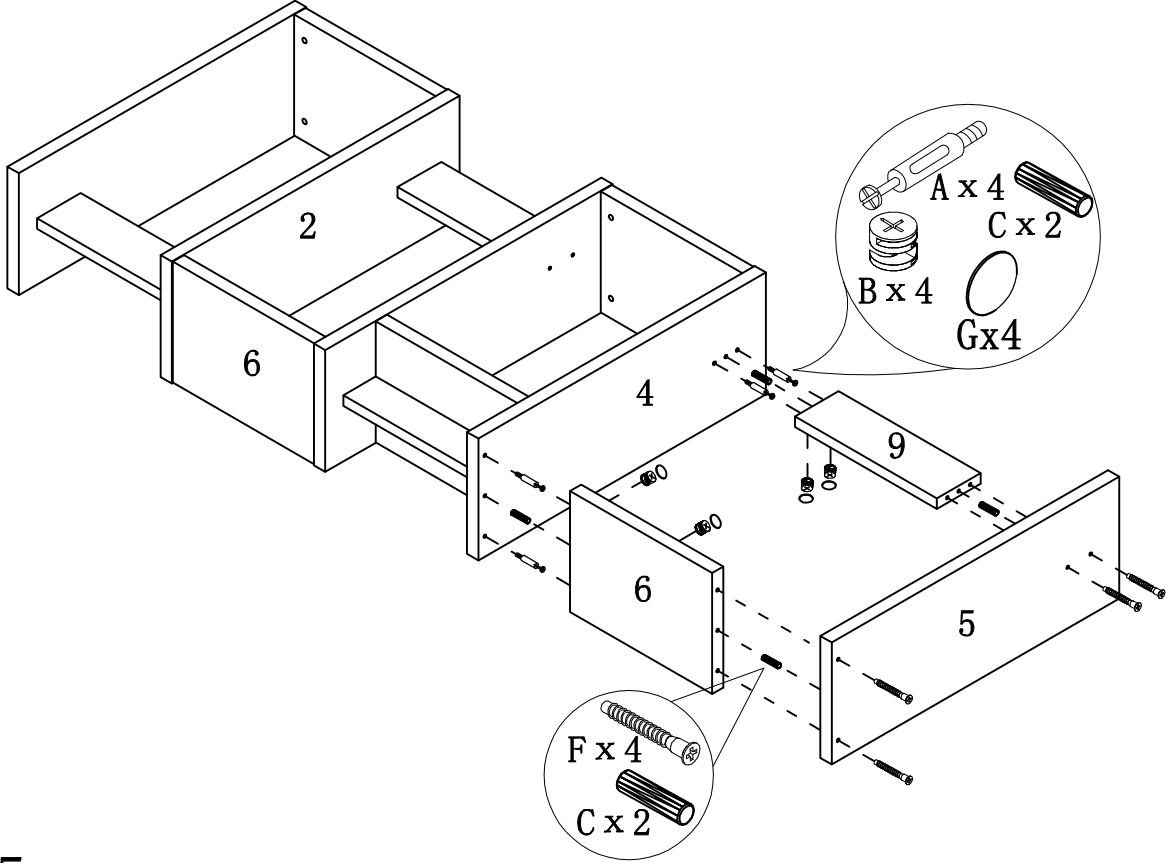
STEP3

STEP4



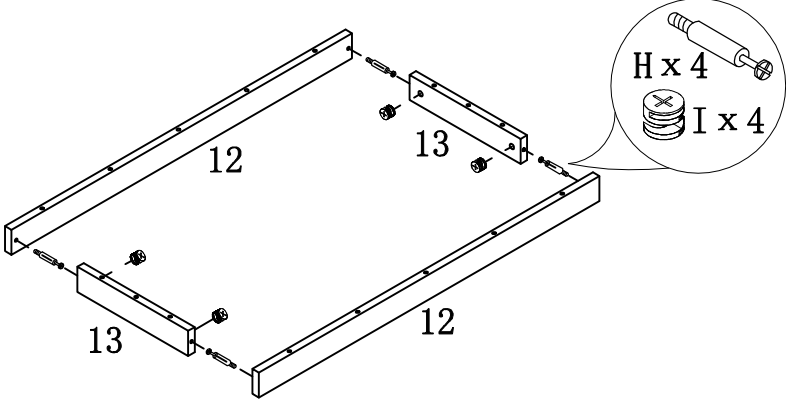
ASSEMBLY INSTRUCTION

ITEM#: 14902



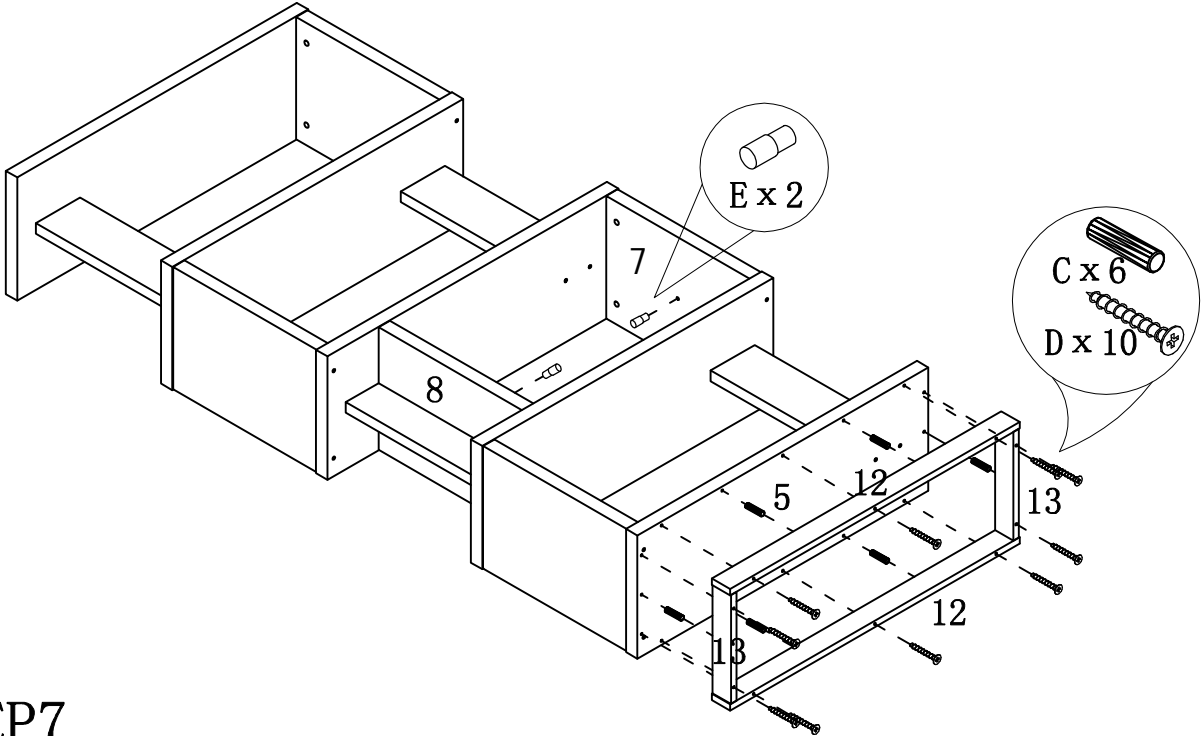
STEP5

STEP6



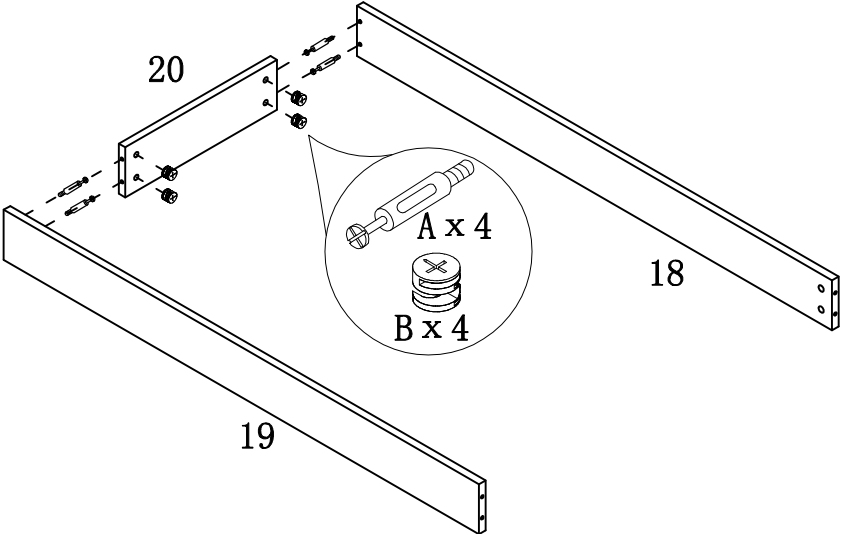
ASSEMBLY INSTRUCTION

ITEM#: 14902



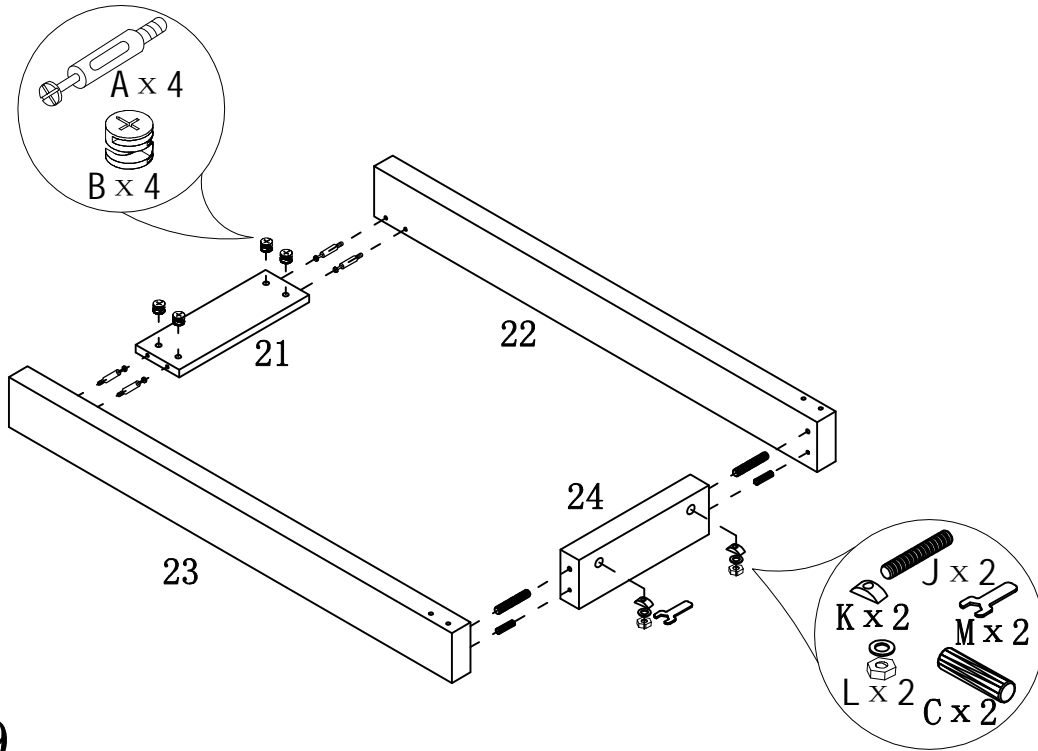
STEP 7

STEP 8



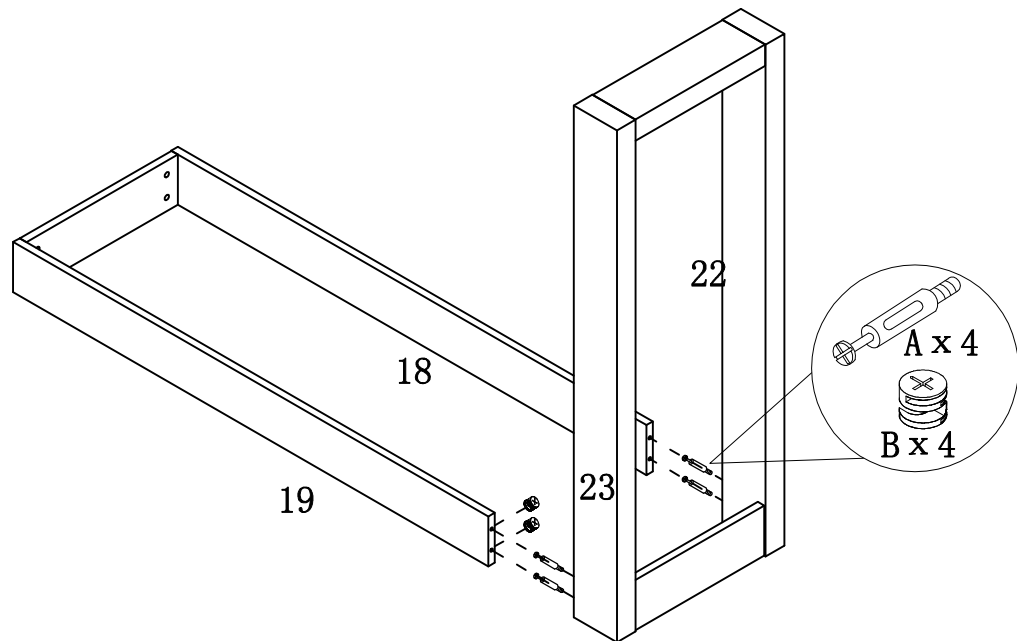
ASSEMBLY INSTRUCTION

ITEM#: 14902



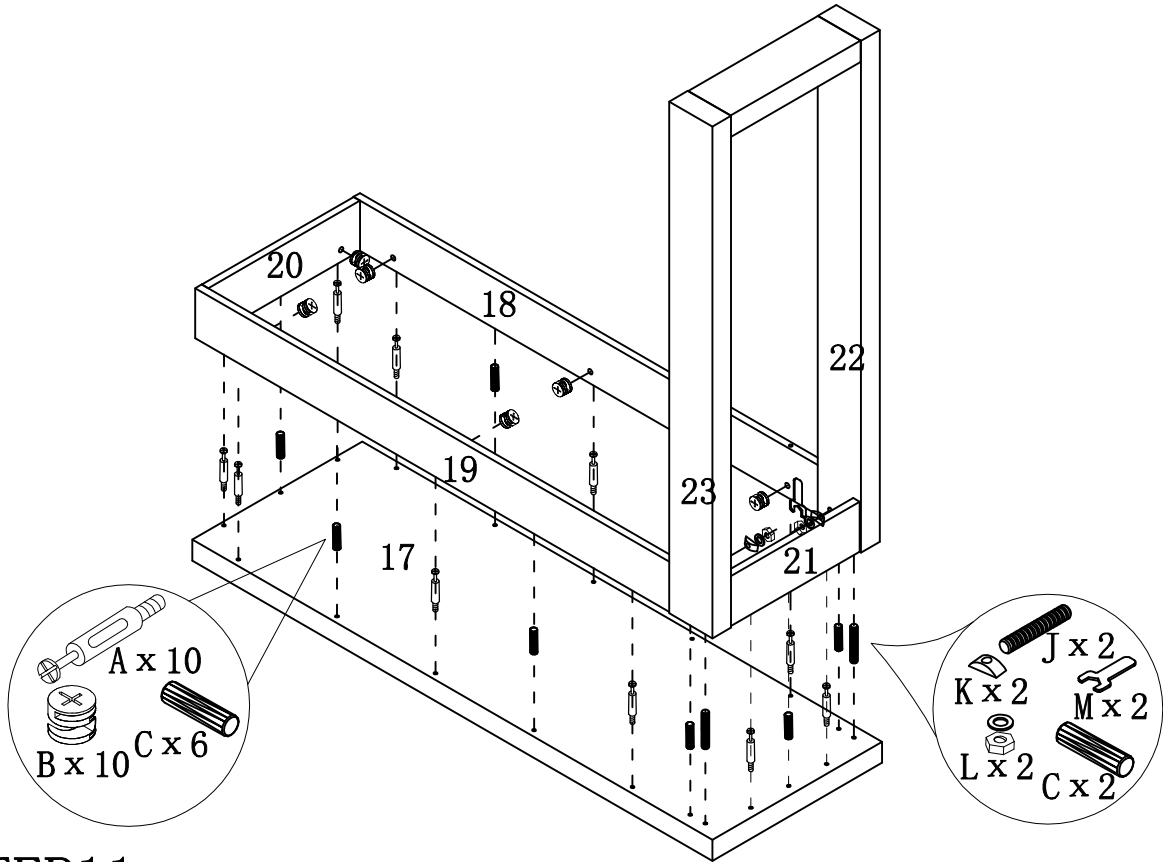
STEP 9

STEP 10



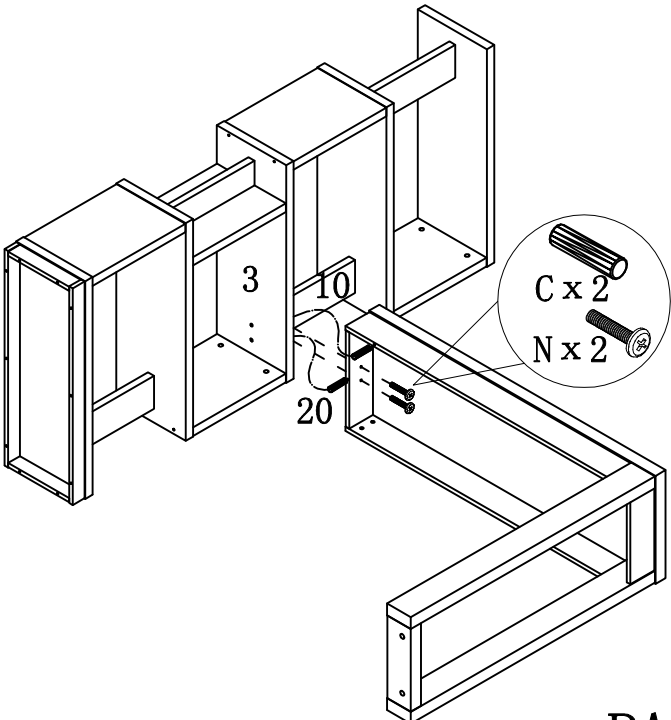
ASSEMBLY INSTRUCTION

ITEM#: 14902



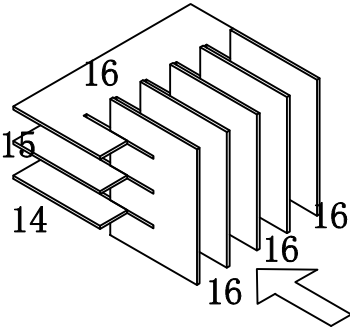
STEP 11

STEP 12



ASSEMBLY INSTRUCTION

ITEM#: 14902



STEP 13

STEP 14

