

ASSEMBLY INSTRUCTION

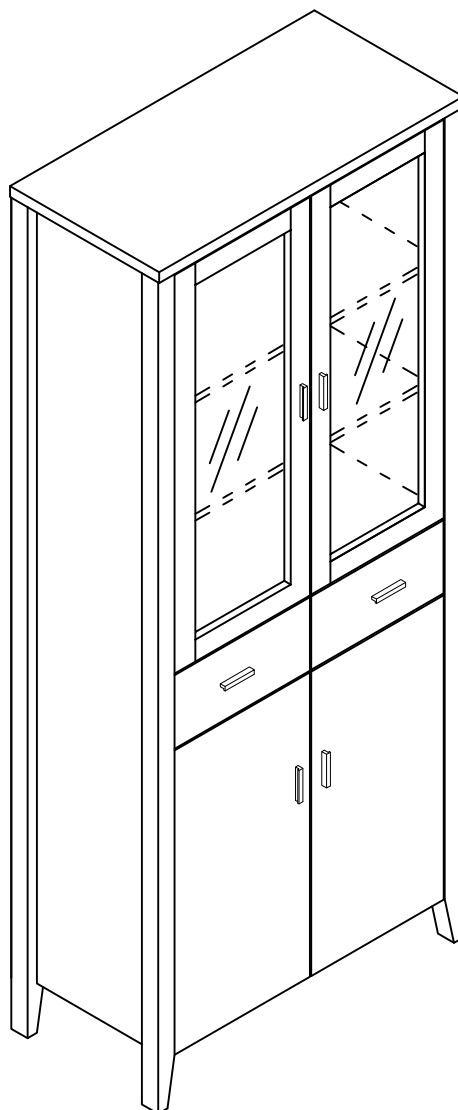
PLEASE READ BEFORE ASSEMBLING!

Tip #1: Make sure you've taken all the pieces and hardware out of its packaging before discarding the box.

Tip #2: Using page 2 and/or page 3 of instruction manual make sure all pieces and hardware are accounted for.

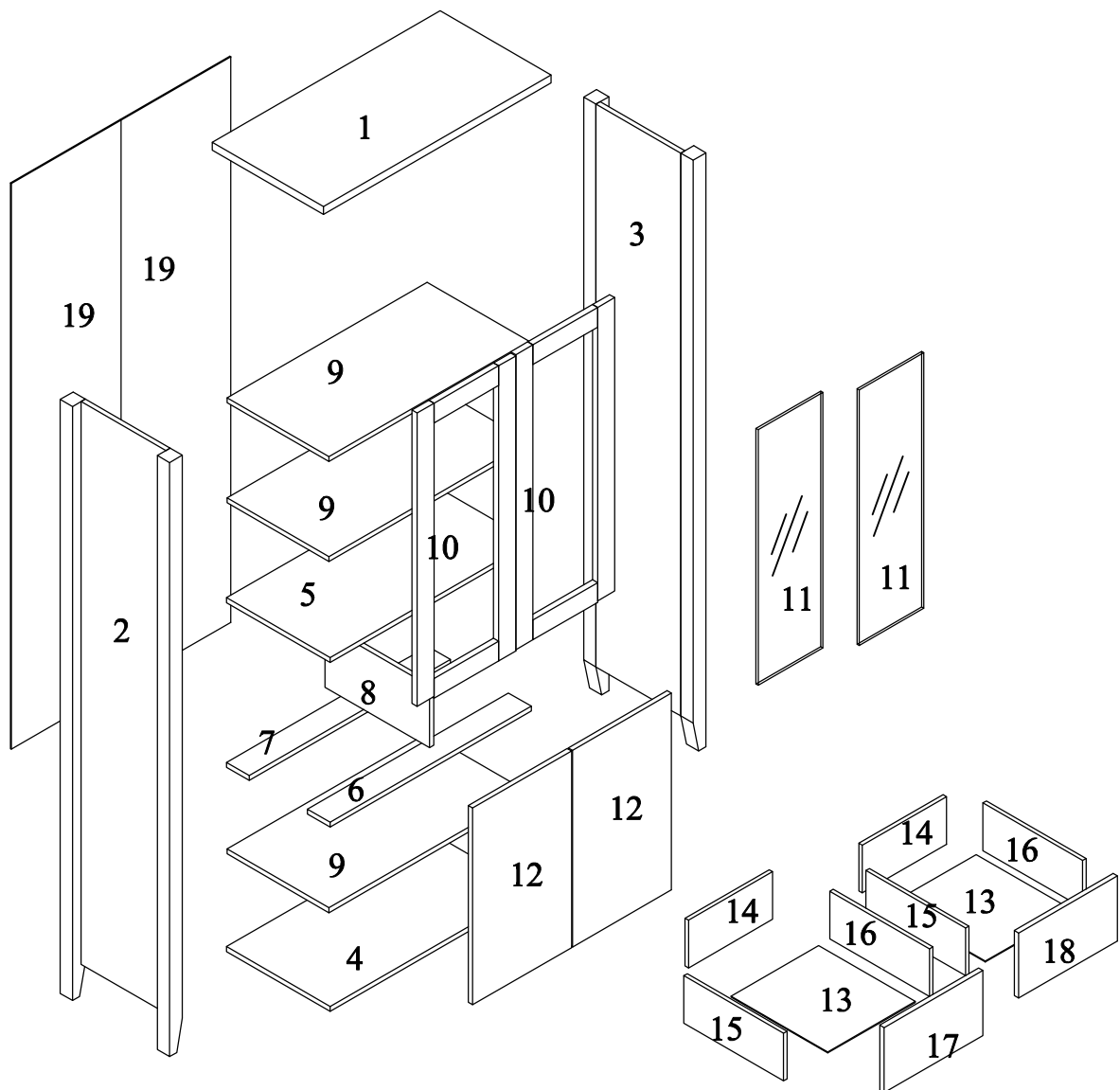
Tip #3: Read manual before assembling, it helps!

ITEM#: 14904



PARTS IDENTIFICATION

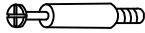


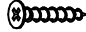







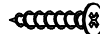


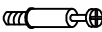






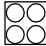
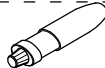
ITEM#: 14904



(1)	1pc	(8)	2pcs	(15)	2pcs
(2)	1pc	(9)	2pcs	(16)	2pcs
(3)	1pc	(10)	2pcs	(17)	1pc
(4)	1pc	(11)	2pcs	(18)	1pc
(5)	1pc	(12)	2pcs	(19)	2pcs
(6)	1pc	(13)	2pcs		
(7)	1pc	(14)	2pcs		

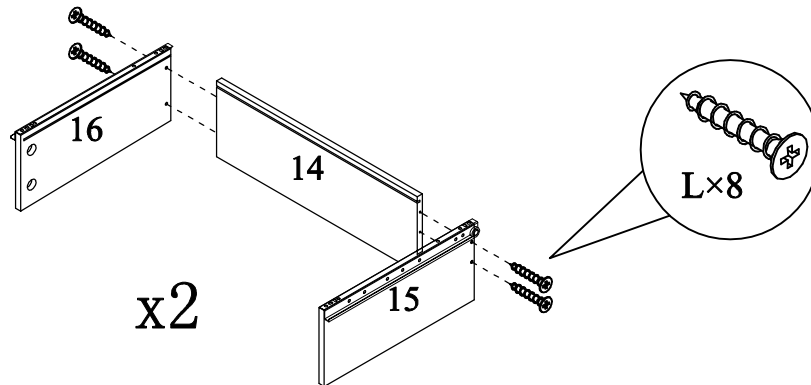
HARDWARE IDENTIFICATION

ITEM#: 14904

A		L29	18pcs
B		Φ 15	18pcs
C		Φ 8x25	15pcs
D		Φ 4x35	2pcs
E		Φ 6	12pcs
F			12pcs
G		ø3.5x12	12pcs
H		301C	8pcs
I		Φ 4x16	32pcs
J			1pc
K		Φ 3x16	2pcs
L		Φ 4x30	8pcs
M		#96	6pcs
N		Φ 4x22 (BK)	12pcs
O		L20	8pcs
P		Φ 4x22	8pcs
Q			40pcs
R			1pc
S		Φ 4x25	1pc
T		Φ 5x40	1pc
U		Φ 8x40	1pc
V		ø18	16pcs
W		Glue: For securing please apply to wood dowel first before inserting into panel	1pc

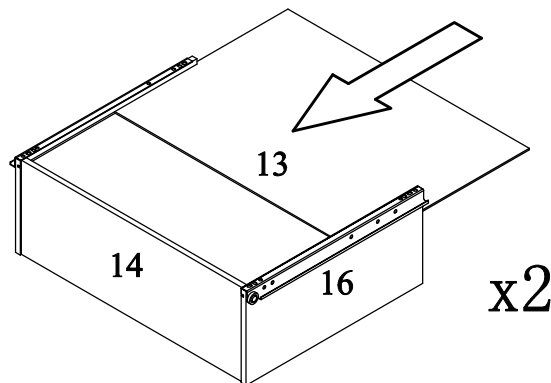
ASSEMBLY INSTRUCTION

ITEM#: 14904

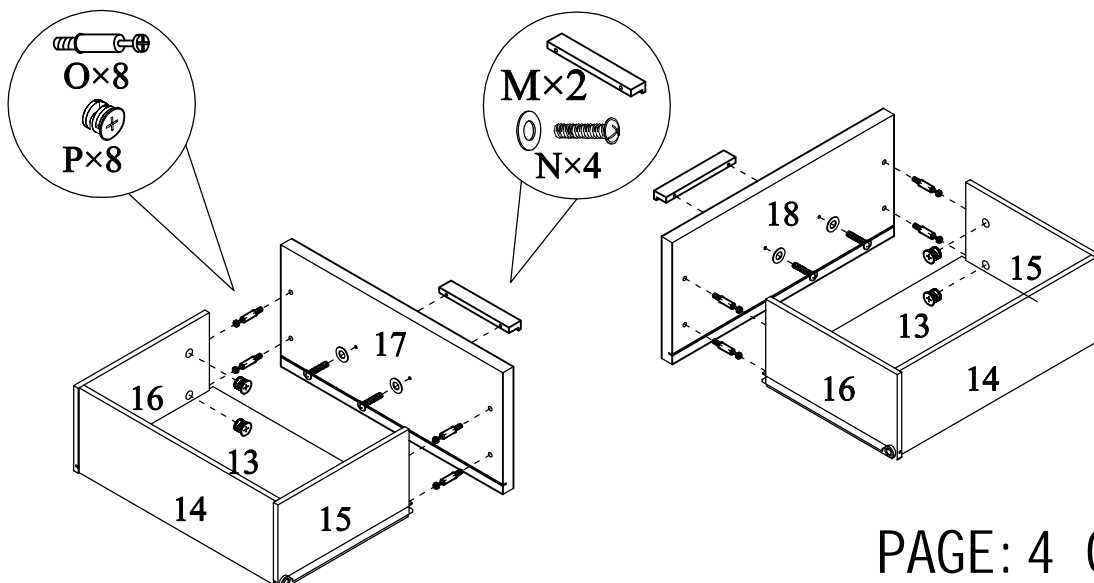


STEP 1

STEP 2

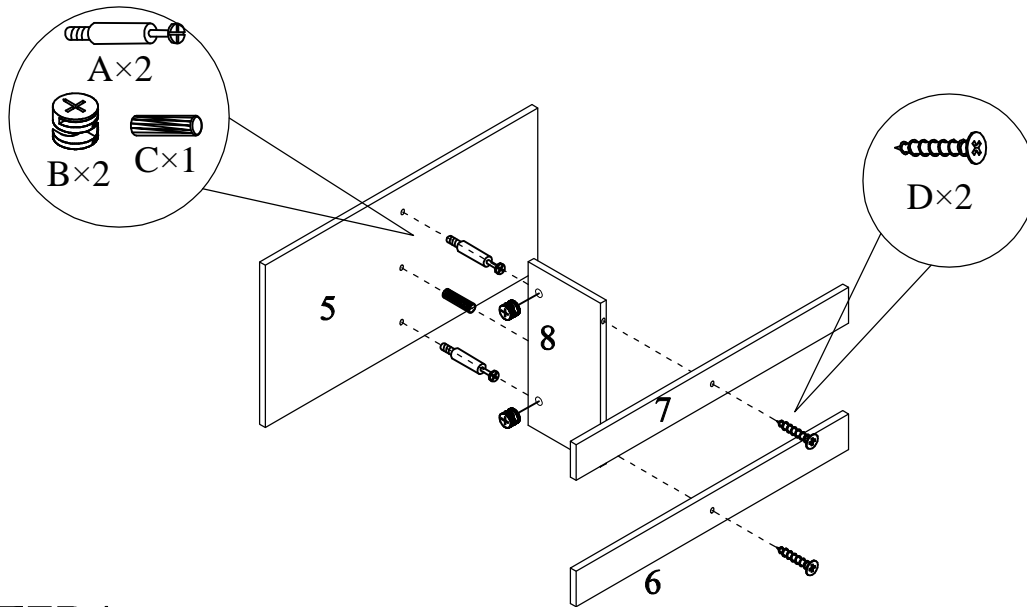


STEP 3



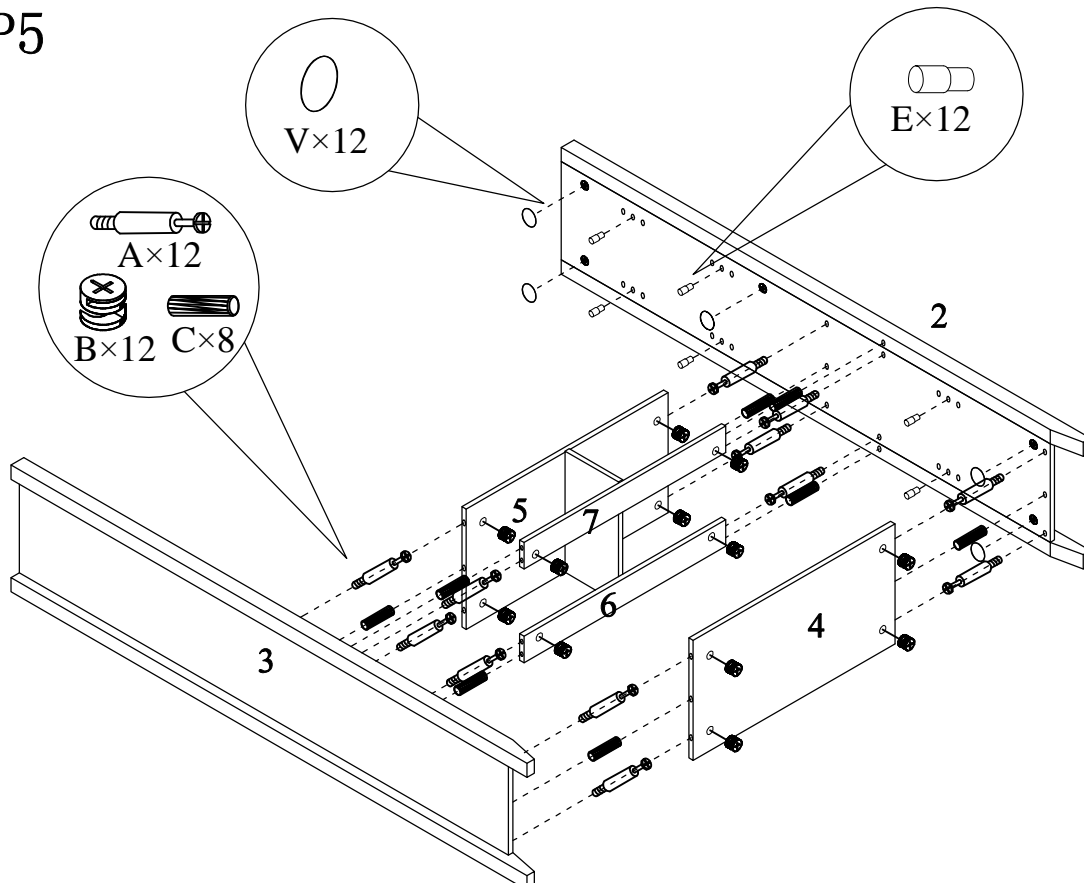
ASSEMBLY INSTRUCTION

ITEM#: 14904



STEP 4

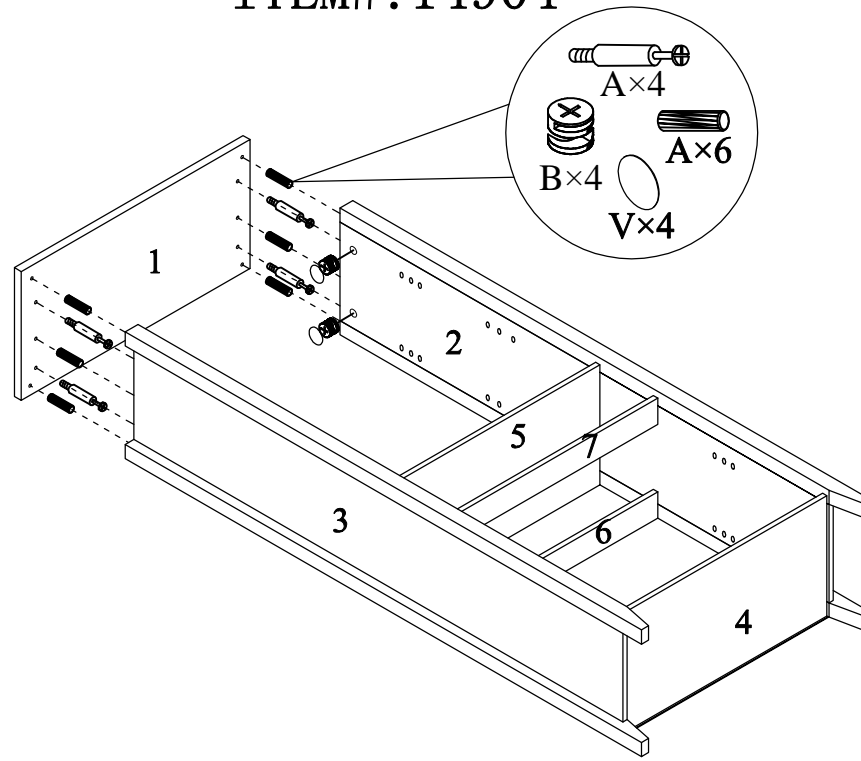
STEP 5



PAGE: 5 OF 8

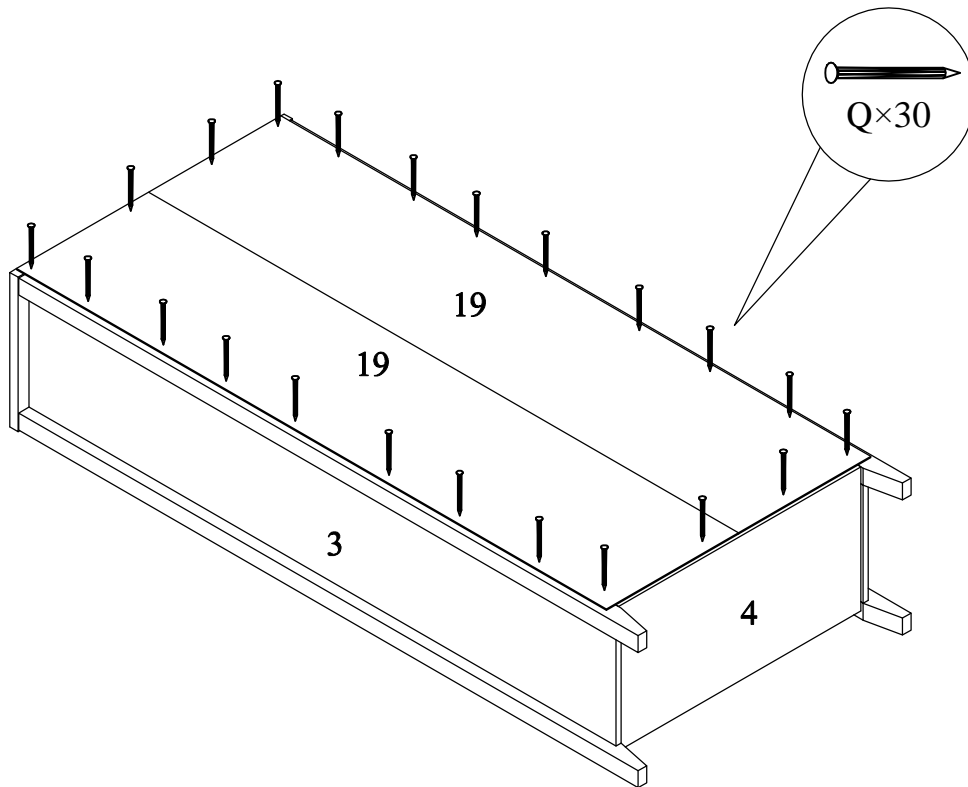
ASSEMBLY INSTRUCTION

ITEM#: 14904



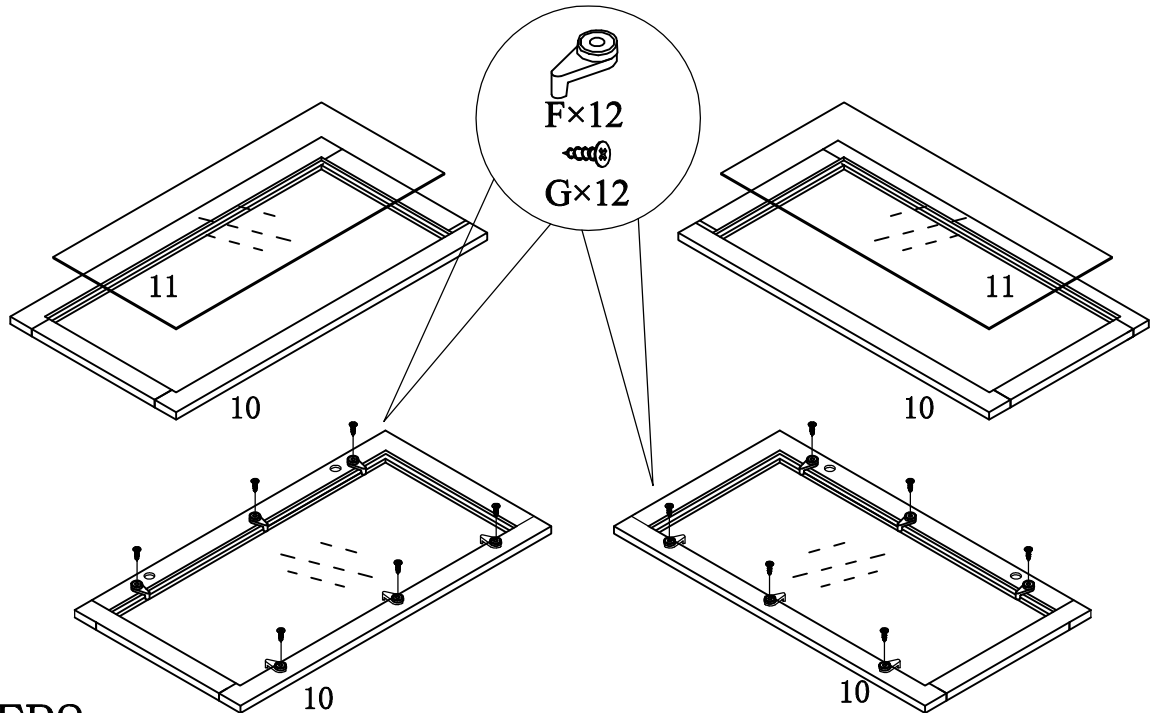
STEP6

STEP7



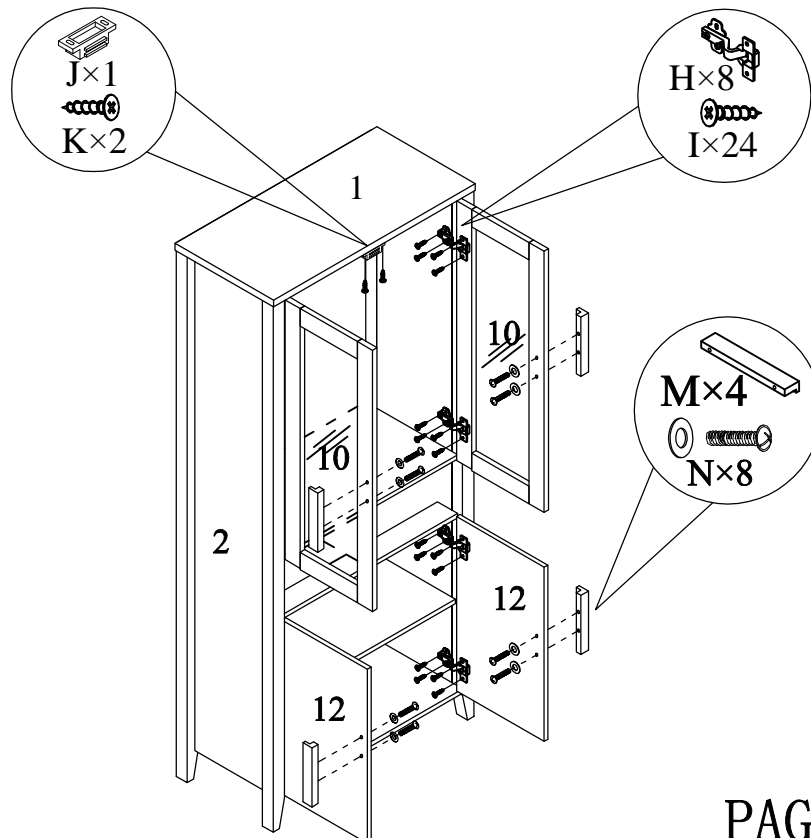
ASSEMBLY INSTRUCTION

ITEM#: 14904



STEP8

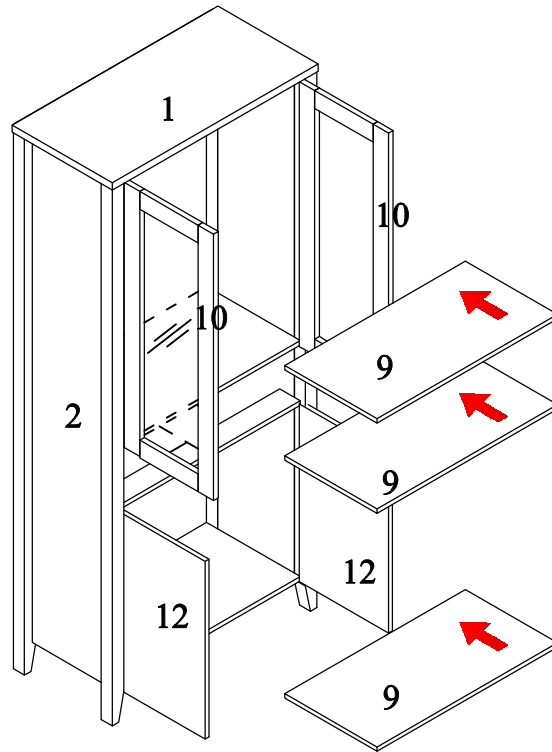
STEP9



PAGE: 7 OF 8

ASSEMBLY INSTRUCTION

ITEM#: 14904



STEP10

STEP11

