

ASSEMBLY INSTRUCTION

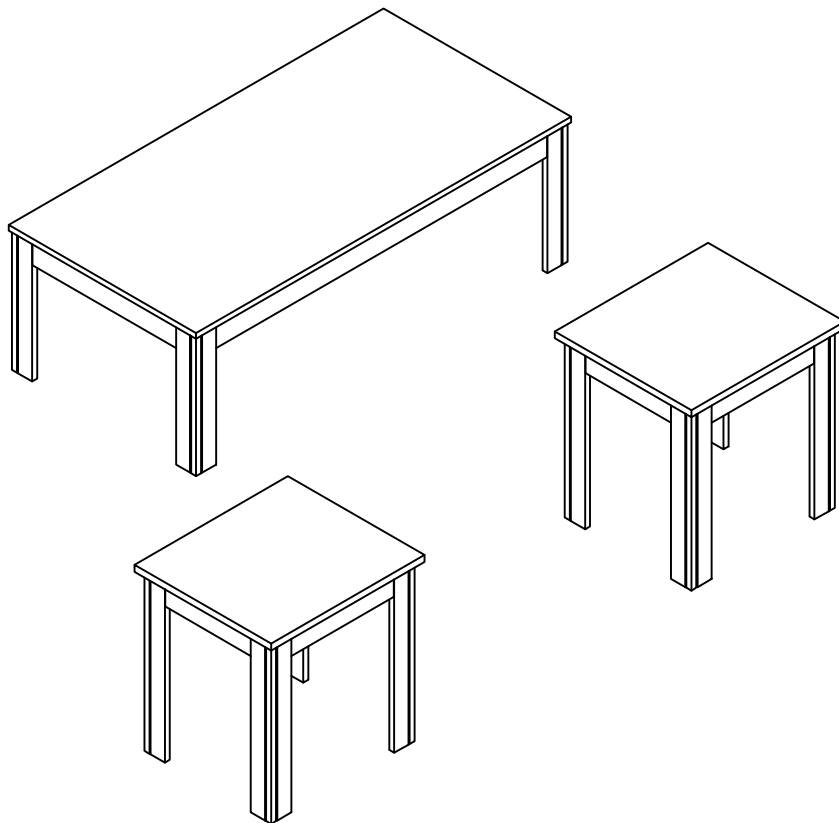
PLEASE READ BEFORE ASSEMBLING!

Tip #1: Make sure you've taken all the pieces and hardware out of its packaging before discarding the box.

Tip #2: Using page 2 and/or page 3 of instruction manual make sure all pieces and hardware are accounted for.

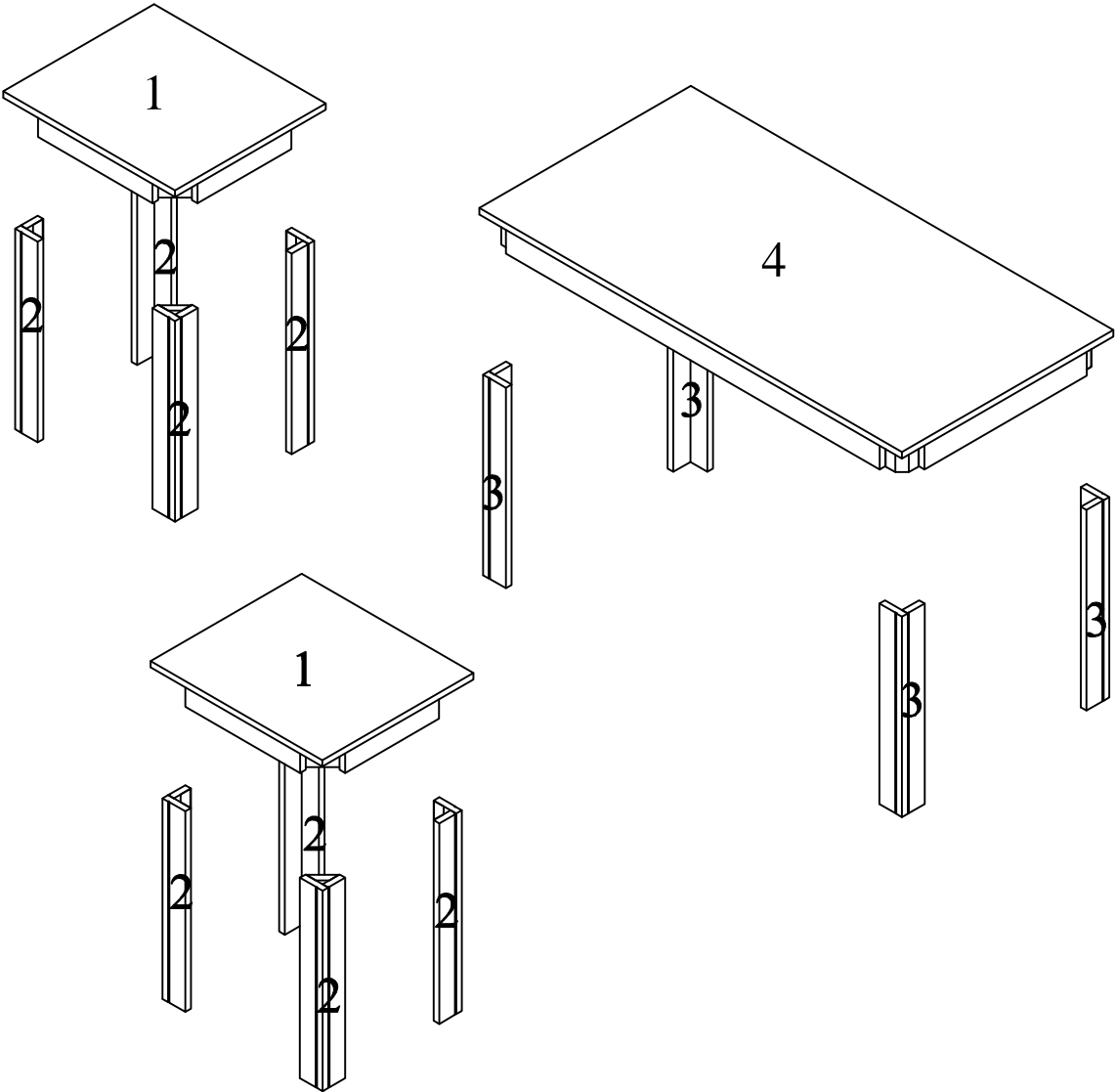
Tip #3: Read manual before assembling, it helps!

ITEM#: 14953-x3



PARTS IDENTIFICATION





ITEM#: 14953-x3



- (1) 2pcs
- (2) 4pcs
- (3) 4pcs
- (4) 1pc
- (5) 2pcs
- (6) 2pcs

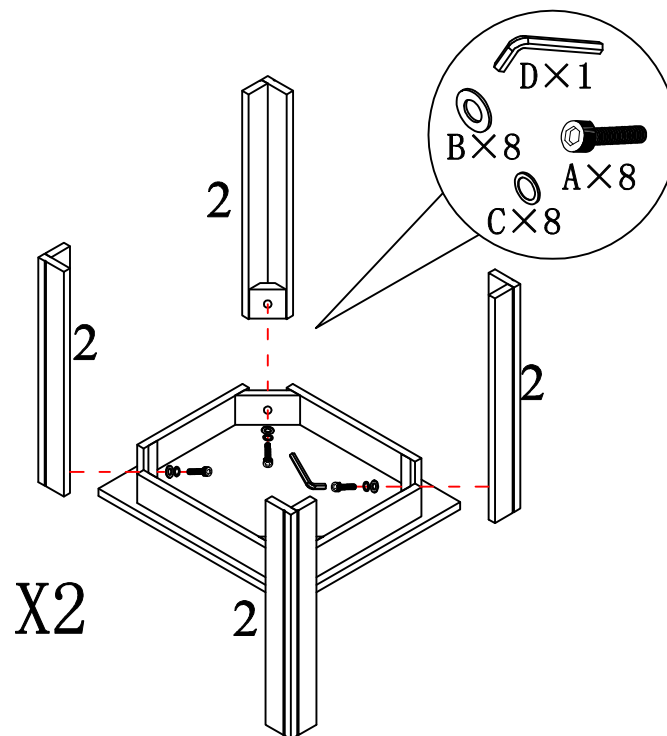
HARDWARE IDENTIFICATION

ITEM#: 14953-x3

A		M8×45	12pcs
B		Ø16×2	12pcs
C			12pcs
D		M5	1pc

ASSEMBLY INSTRUCTION

ITEM#: 14953-x3

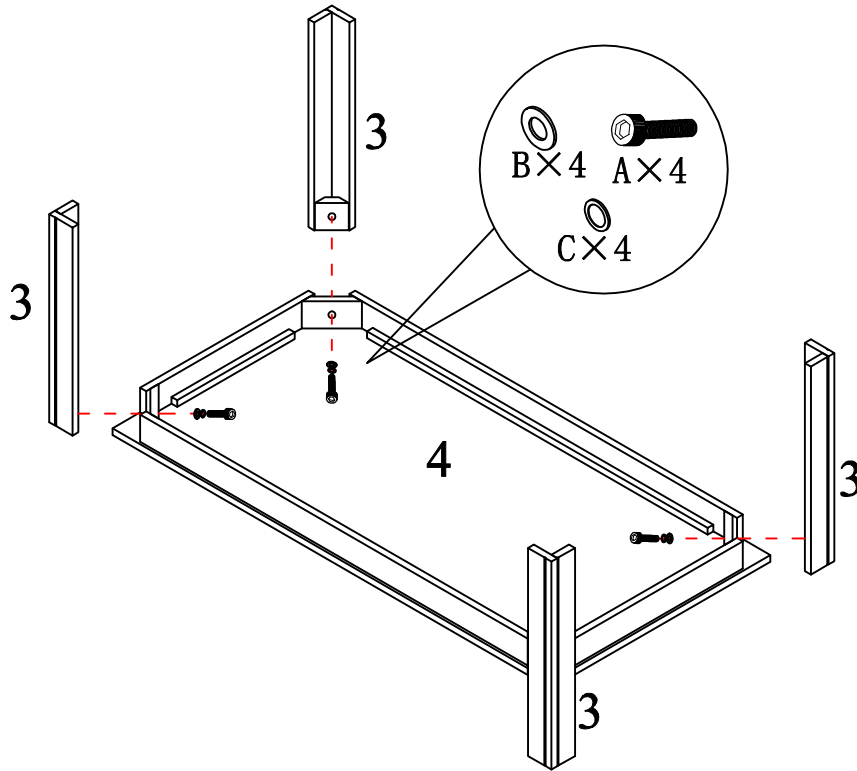


STEP 1

PAGE: 3 OF 4

HARDWARE IDENTIFICATION

ITEM#: 14953-x3



STEP 2

STEP 3

