

ASSEMBLY INSTRUCTION

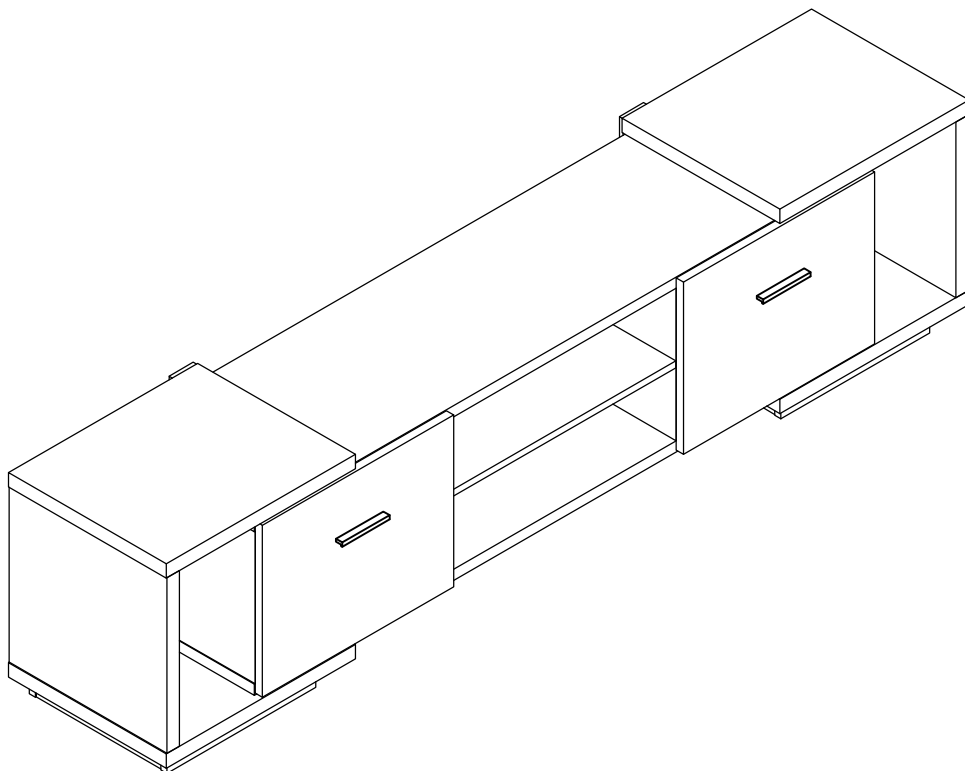
PLEASE READ BEFORE ASSEMBLING!

Tip #1: Make sure you've taken all the pieces and hardware out of its packaging before discarding the box.

Tip #2: Using page 2 and/or page 3 of instruction manual make sure all pieces and hardware are accounted for.

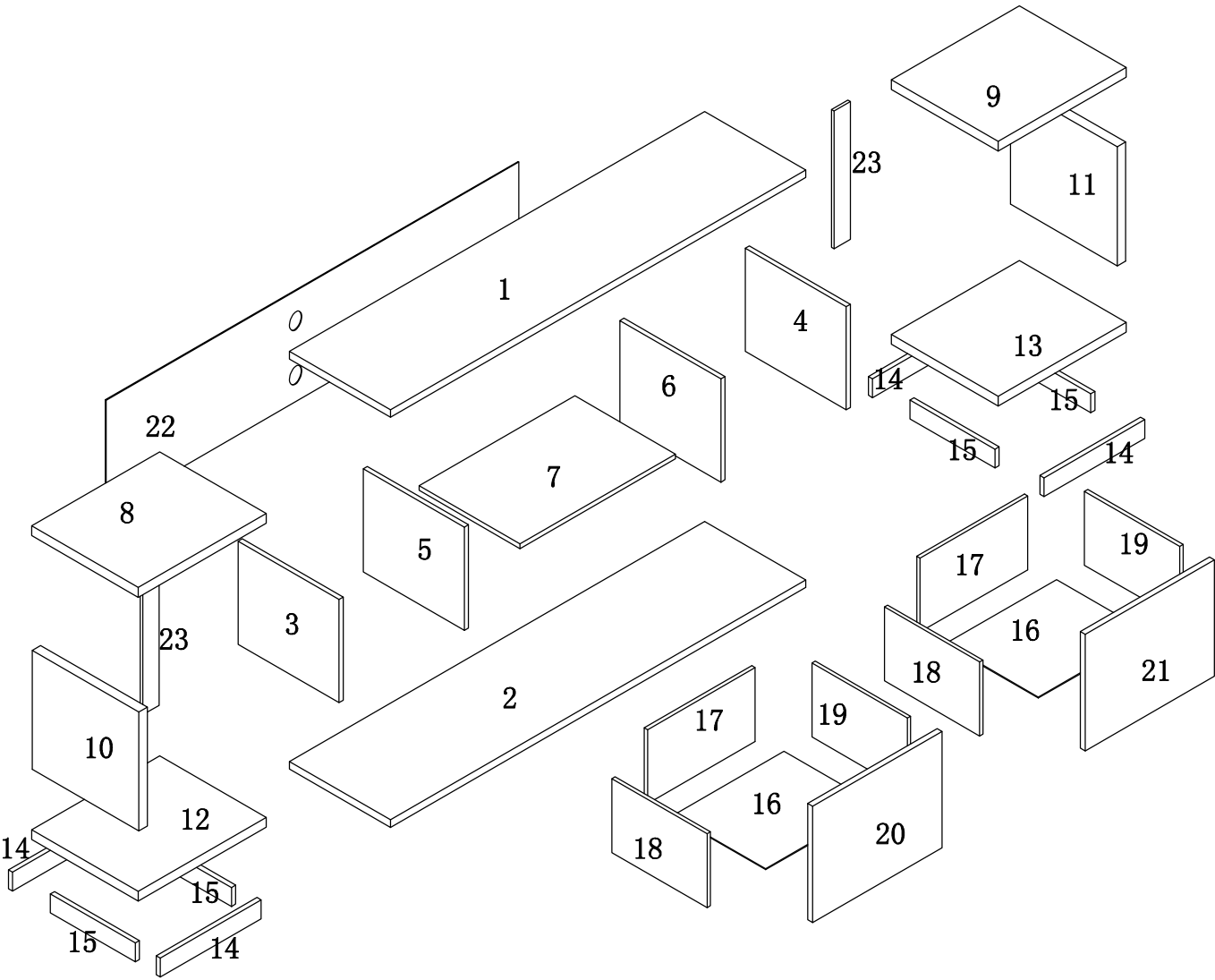
Tip #3: Read manual before assembling, it helps!

ITEM#: 151128



PARTS IDENTIFICATION

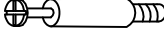


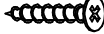
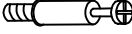




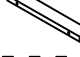

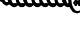
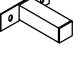



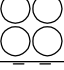
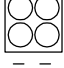




ITEM#: 151128



(1)	1pc	(8)	1pc	(16)	2pcs
(2)	1pc	(9)	1pc	(17)	2pcs
(3)	1pc	(10)	1pc	(18)	2pcs
(4)	1pc	(11)	1pc	(19)	2pcs
(5)	1pc	(12)	1pc	(20)	1pc
(6)	1pc	(13)	1pc	(21)	1pc
(7)	1pc	(14)	2pcs	(22)	1pc
		(15)	4pcs	(23)	2pcs

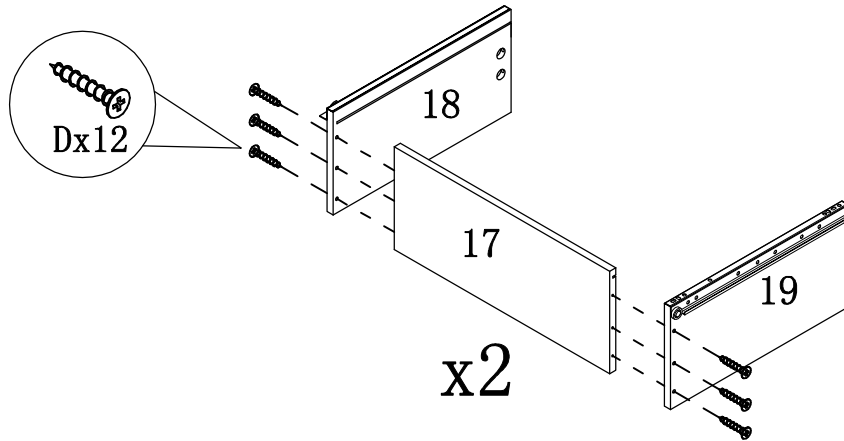
HARDWARE IDENTIFICATION

ITEM#: 151128

A		L29	24pcs
B		Φ 15	24pcs
C		Φ 8x25	30pcs
D		Φ 4x30	20pcs
E		L20	8pcs
F		Φ 12	8pcs
G		Φ 6x30	4pcs
H		Φ 6x85	4pcs
I			4pcs
J		#96	2pcs
K		M4x22	4pcs
L		□ 4x45	24pcs
M		85x25x92	2pcs
N		□ 4x16	4pcs
O			50pcs
P		M4	1pc
Q		Φ 22 (DTP)	4pcs
R		Φ 13 (DTP)	4pcs
S			2pcs
T		Φ 3x16	10pcs
U		Φ 16	8pcs
V		Glue: For securing please apply to wood dowel first before inserting into panel	1pc

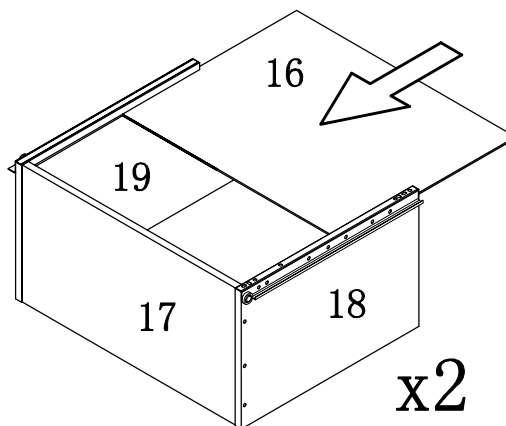
ASSEMBLY INSTRUCTION

ITEM#: 151128

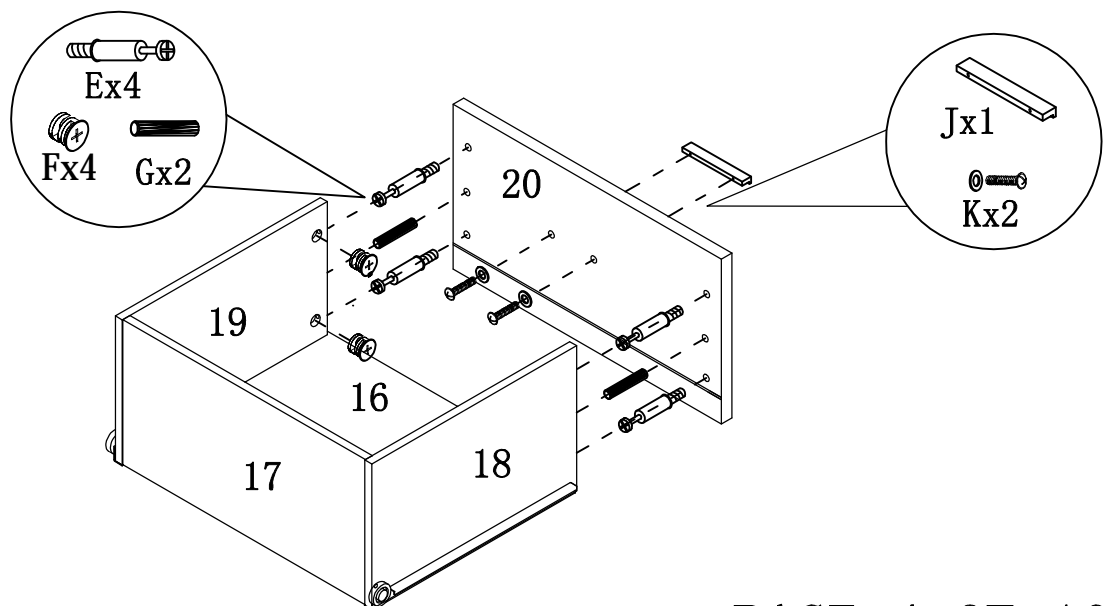


STEP 1

STEP 2

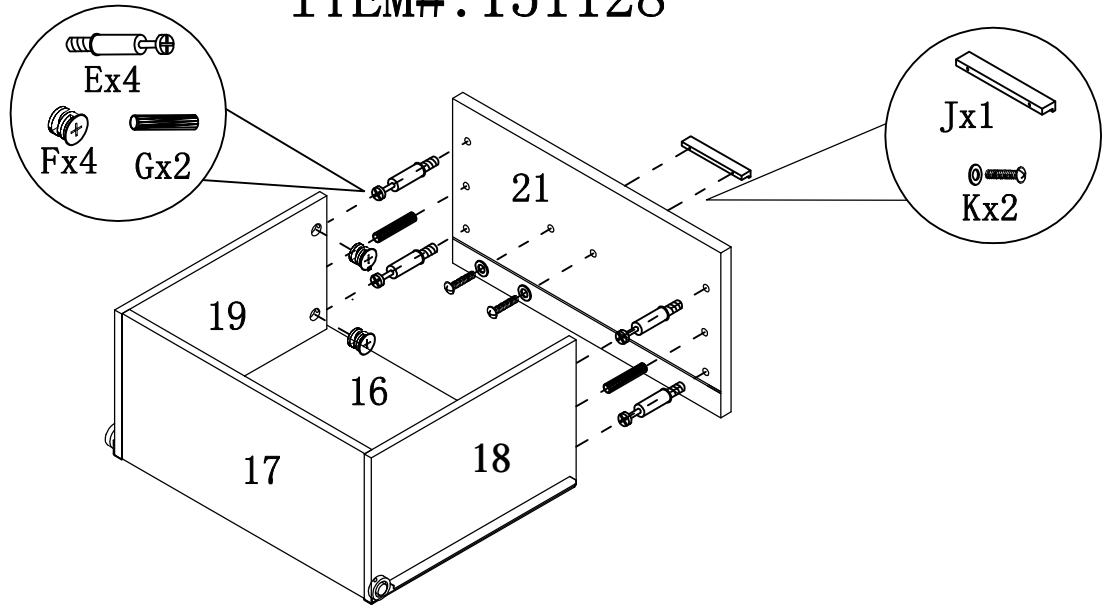


STEP 3



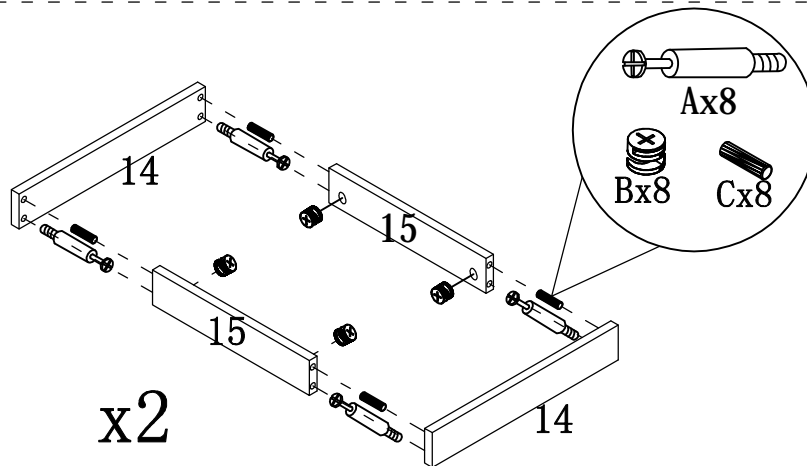
ASSEMBLY INSTRUCTION

ITEM#: 151128

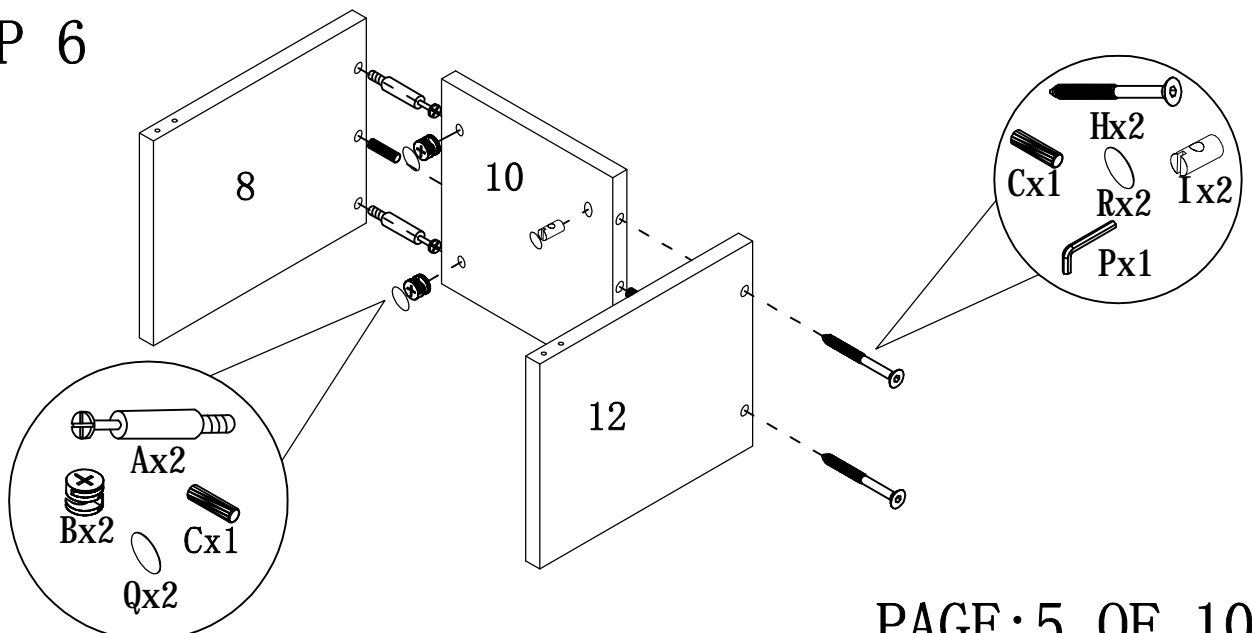


STEP 4

STEP 5

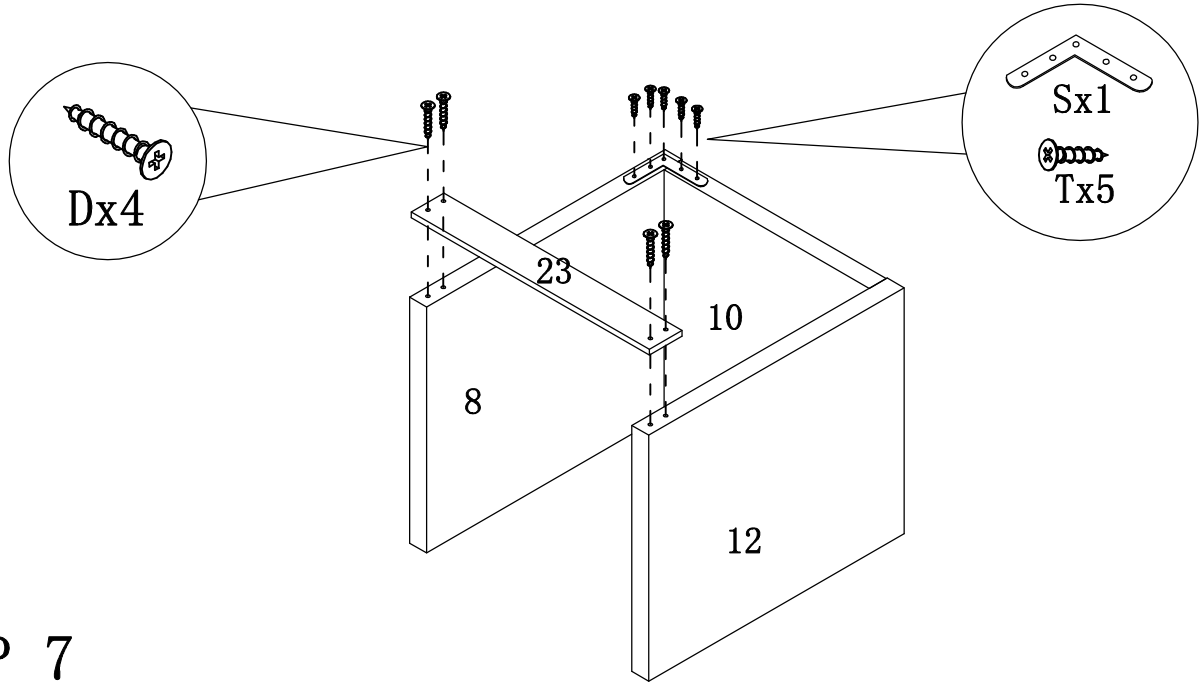


STEP 6

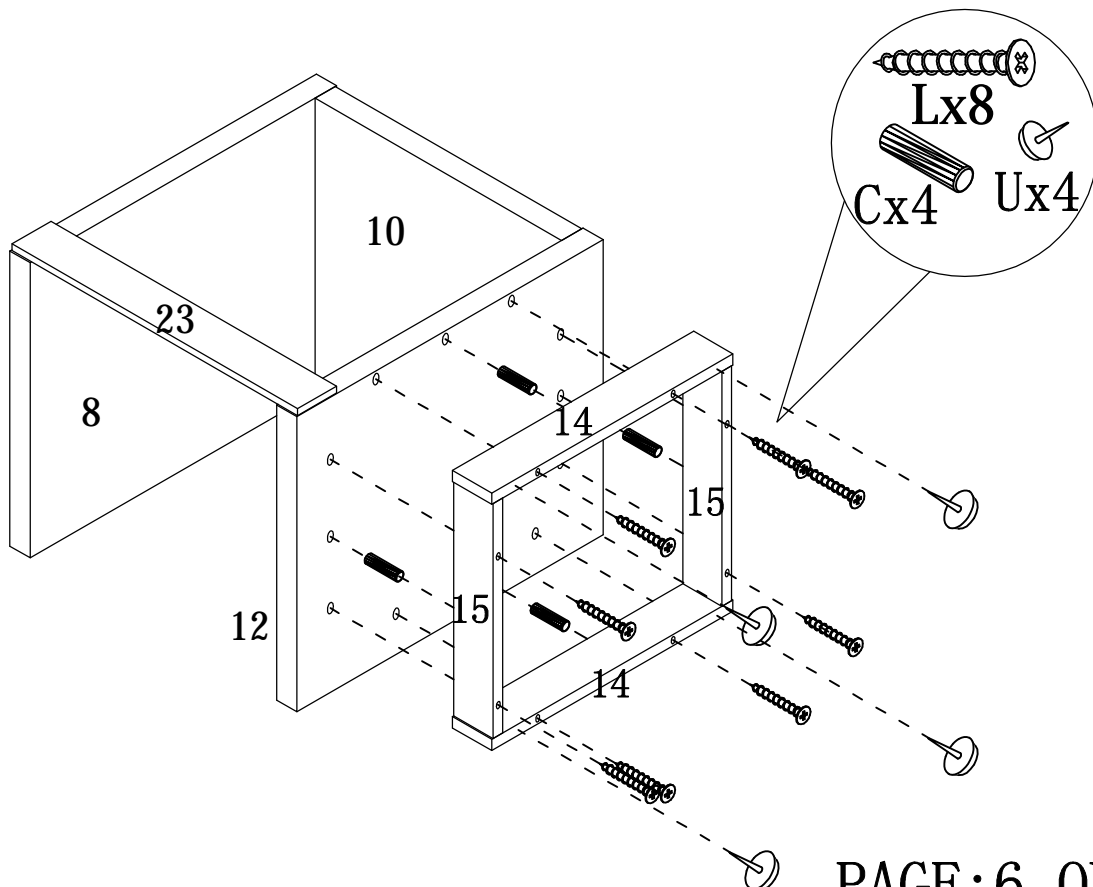


ASSEMBLY INSTRUCTION

ITEM#: 151128

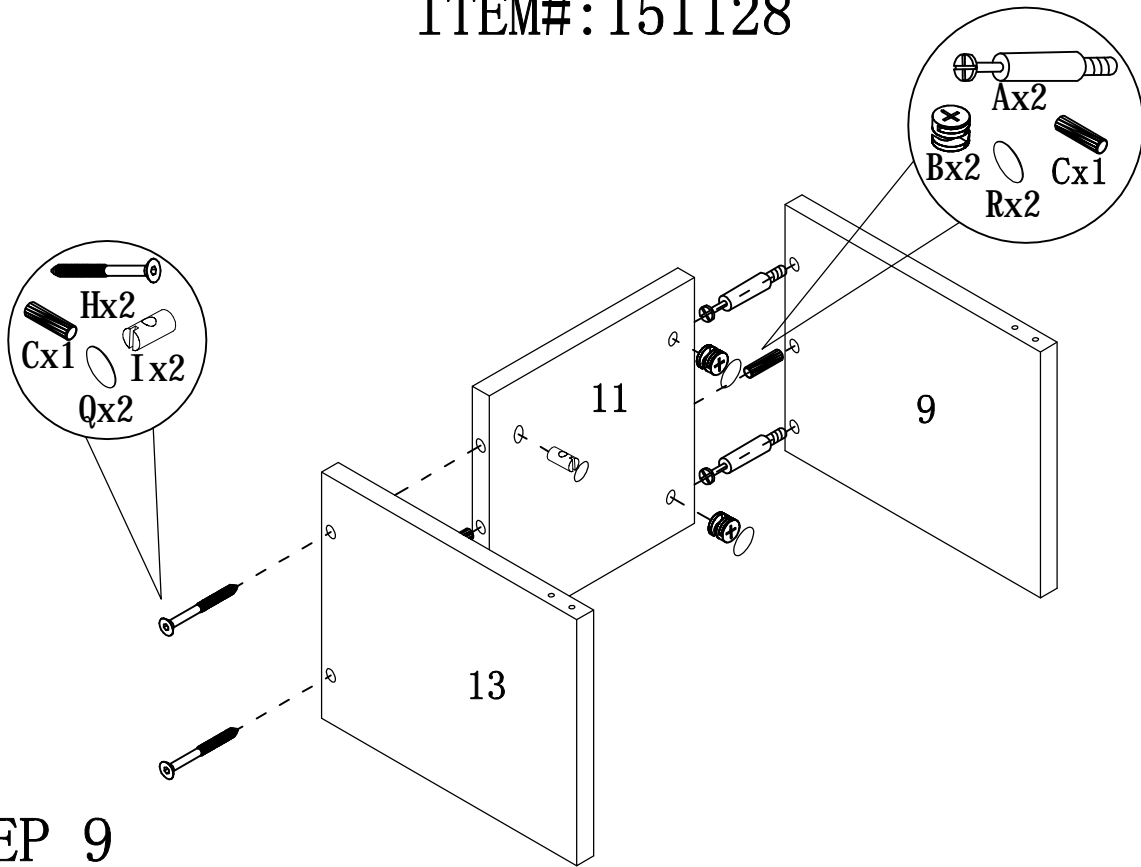


STEP 8



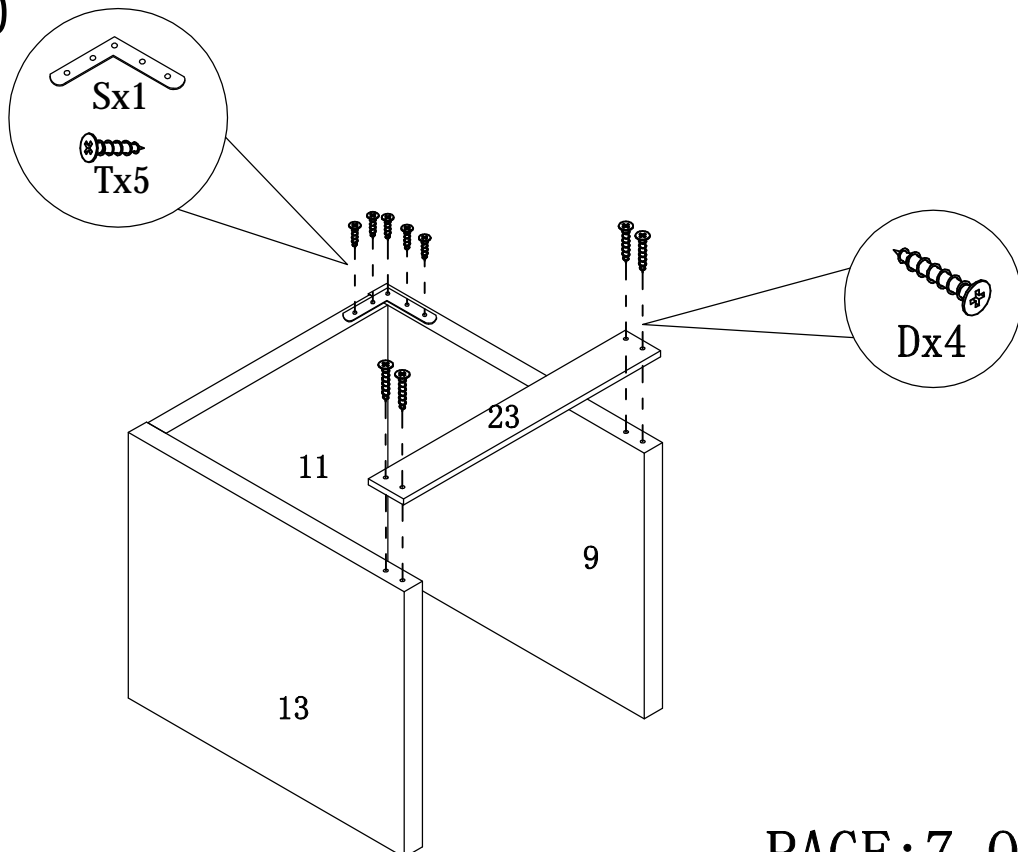
ASSEMBLY INSTRUCTION

ITEM#: 151128



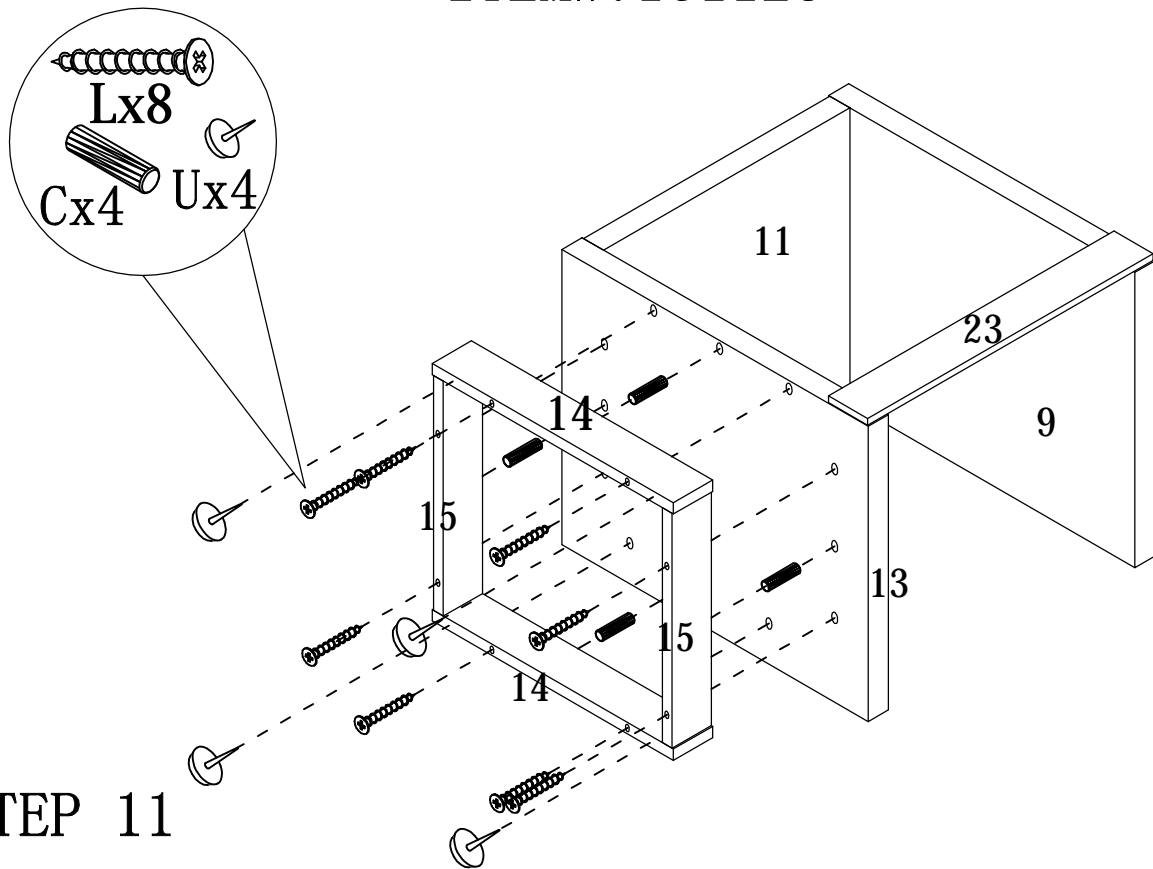
STEP 9

STEP 10



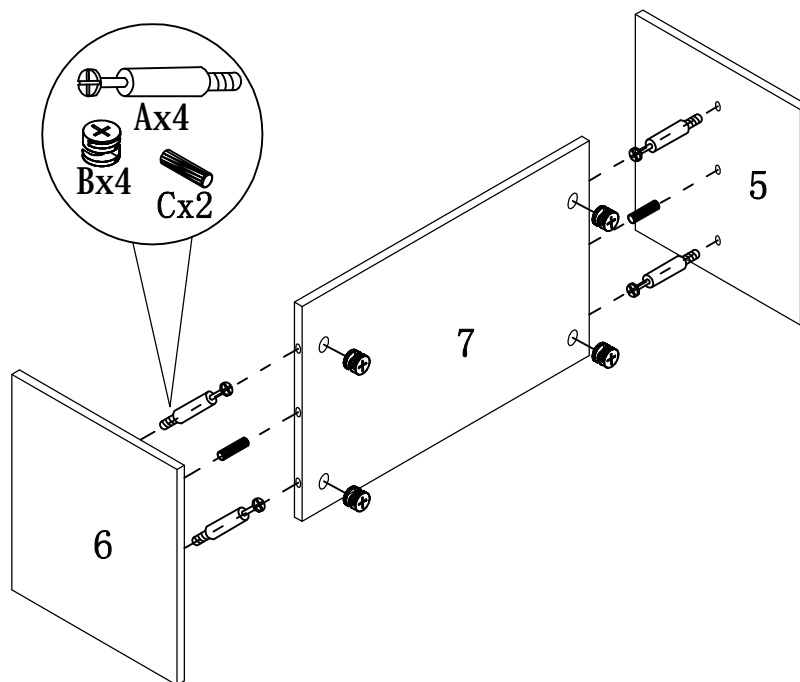
ASSEMBLY INSTRUCTION

ITEM#: 151128



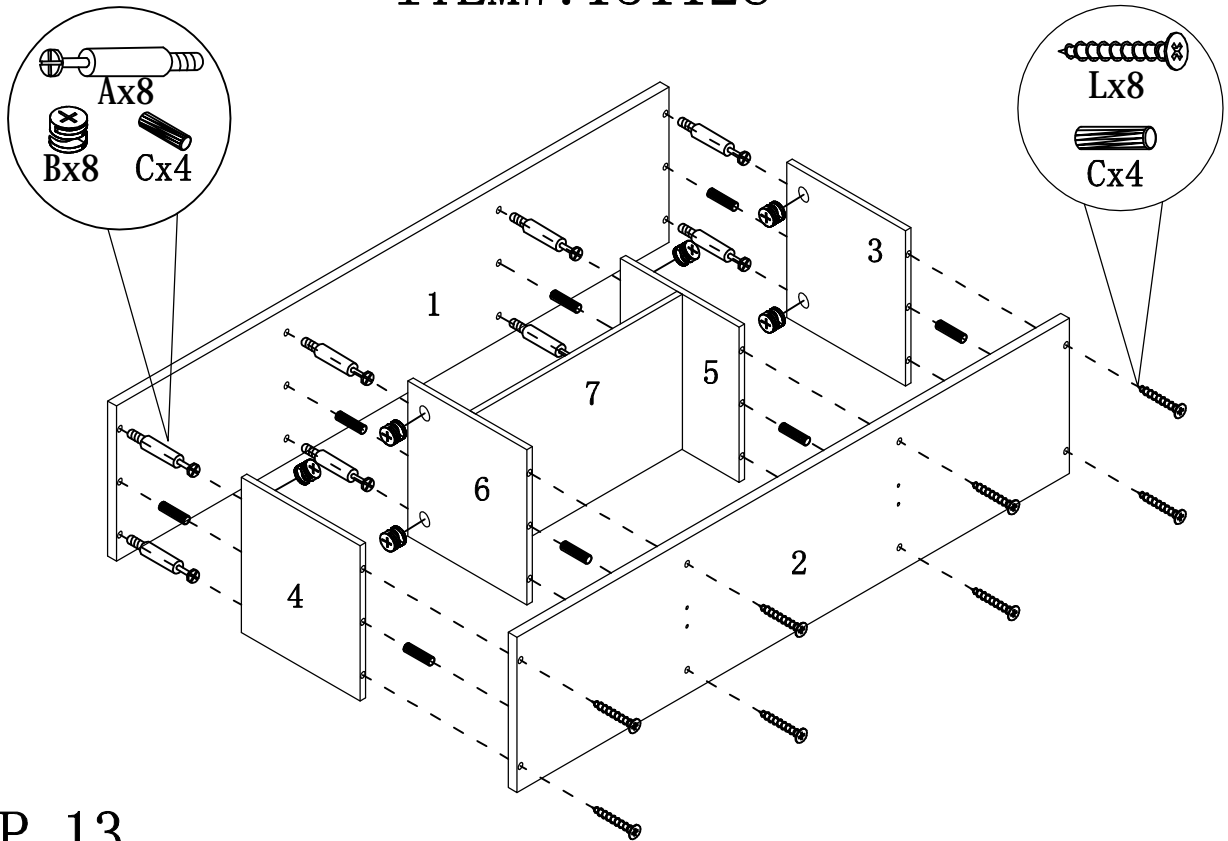
STEP 11

STEP 12



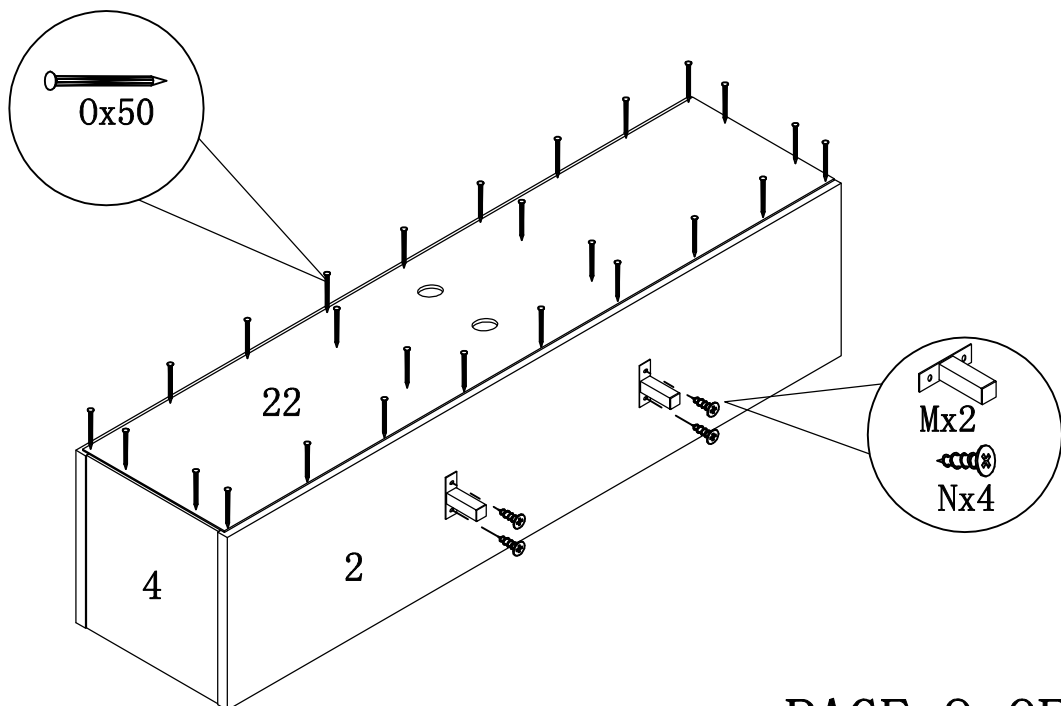
ASSEMBLY INSTRUCTION

ITEM#: 151128



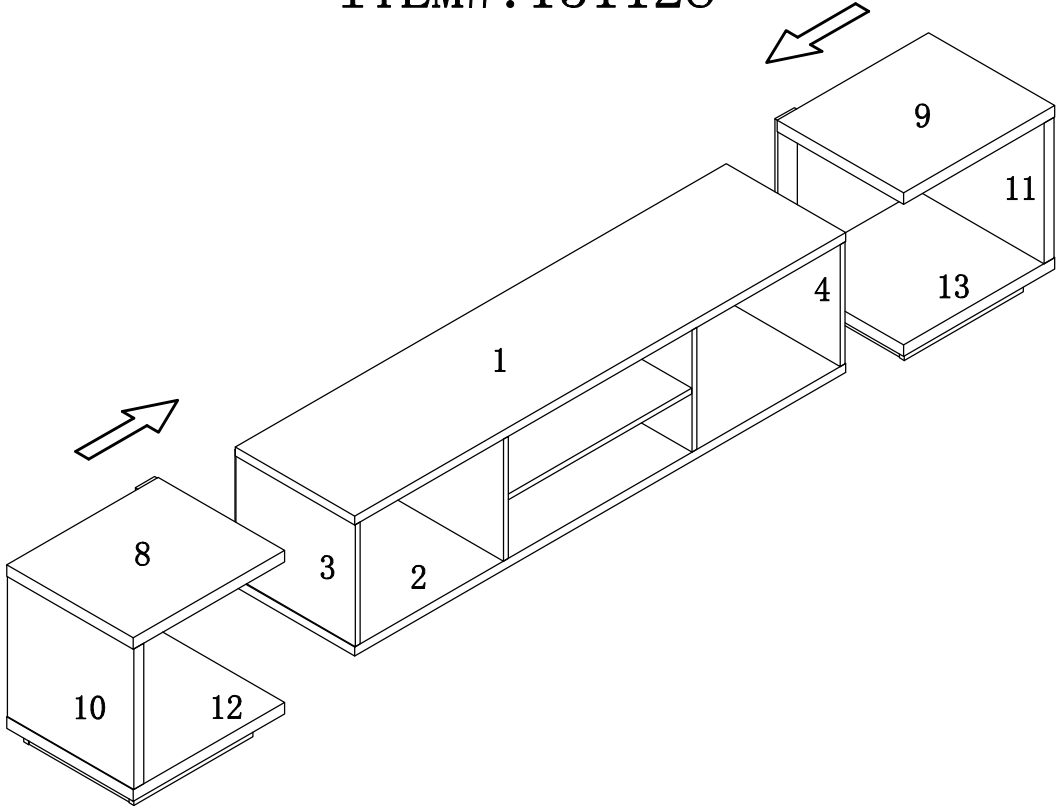
STEP 13

STEP 14



ASSEMBLY INSTRUCTION

ITEM#: 151128



STEP 15

STEP 16

