

# ASSEMBLY INSTRUCTION

---

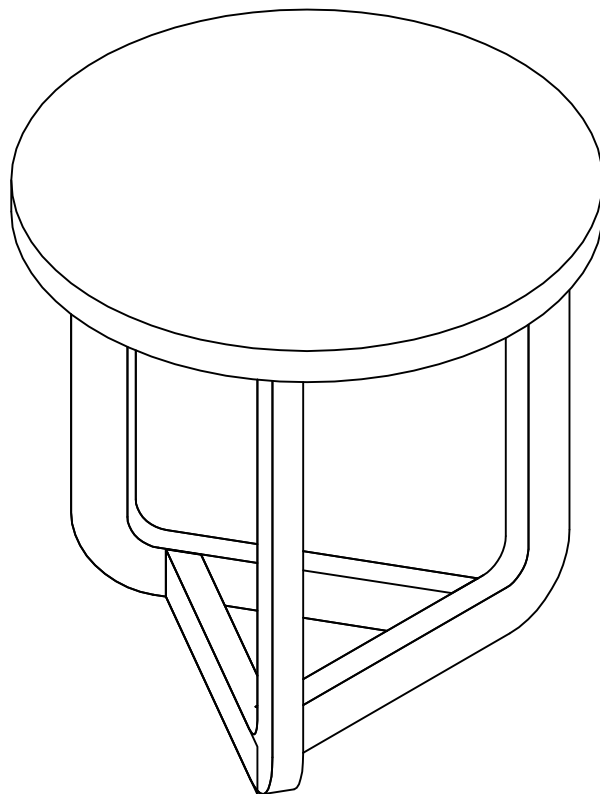
## **PLEASE READ BEFORE ASSEMBLING!**

Tip #1: Make sure you've taken all the pieces and hardware out of its packaging before discarding the box.

Tip #2: Using page 2 and/or page 3 of instruction manual make sure all pieces and hardware are accounted for.

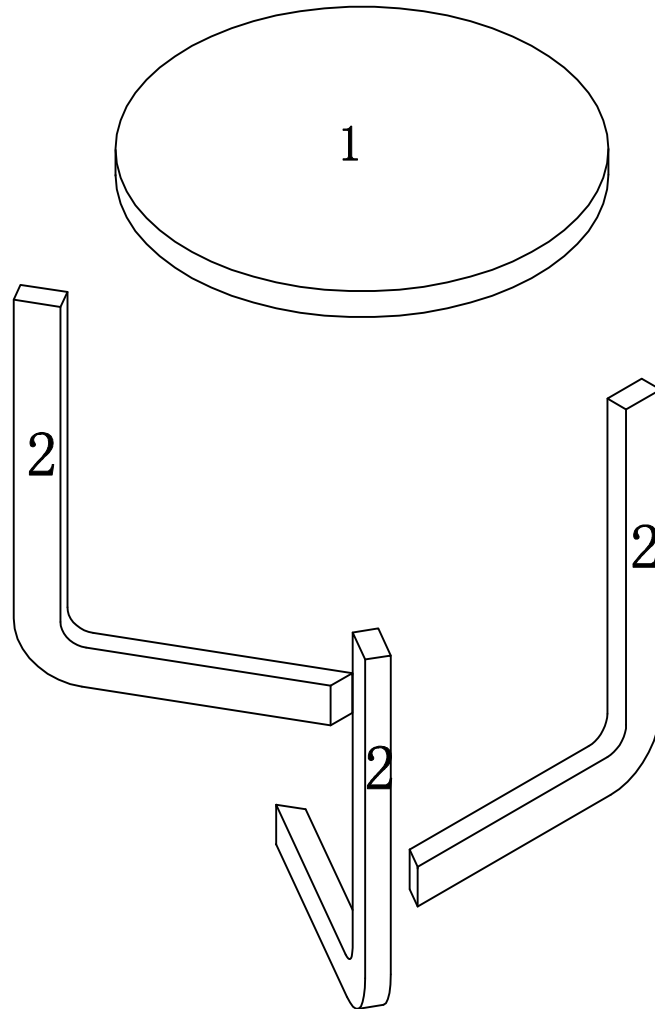
Tip #3: Read manual before assembling, it helps!

ITEM#: 151129ET



# PARTS IDENTIFICATION






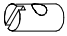


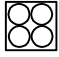
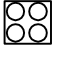
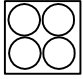


ITEM#: 151129ET



(1)	1pc
(2)	3pcs

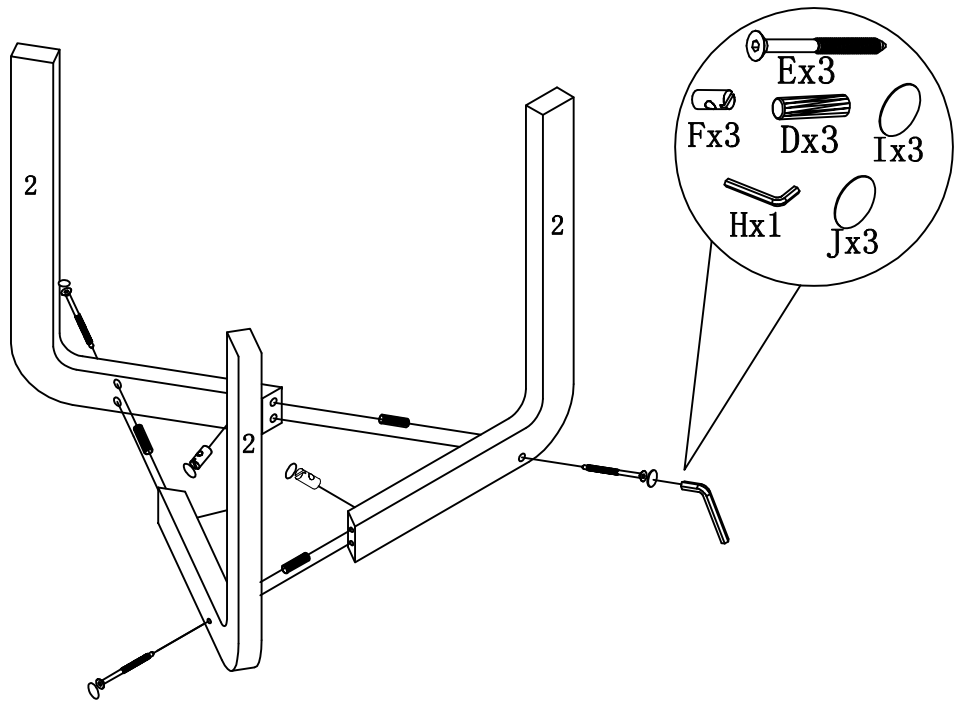
# HARDWARE IDENTIFICATION

ITEM#: 151129ET

A		M8x65	3pcs
B			3pcs
C		M8	3pcs
D		□8x25	3pcs
E		φ 6X55	3pcs
F		φ 10x15	3pcs
G		M13	1pc
H		M4	1pc
I		φ 20	3pcs
J		φ 13	3pcs
K		φ 45	3pcs
L		φ 16	3pcs
M		Glue: For securing please apply to wood dowel first before inserting into panel	1pc

# ASSEMBLY INSTRUCTION

ITEM#: 151129ET



STEP1

STEP2

