

ASSEMBLY INSTRUCTION

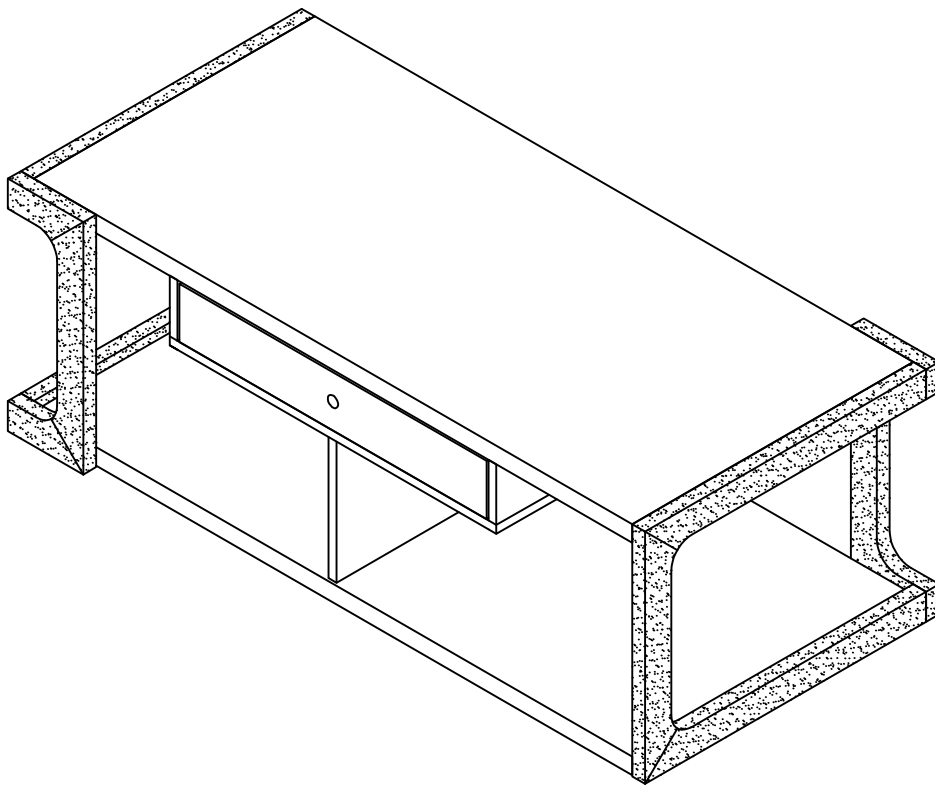
PLEASE READ BEFORE ASSEMBLING!

Tip #1: Make sure you've taken all the pieces and hardware out of its packaging before discarding the box.

Tip #2: Using page 2 and/or page 3 of instruction manual make sure all pieces and hardware are accounted for.

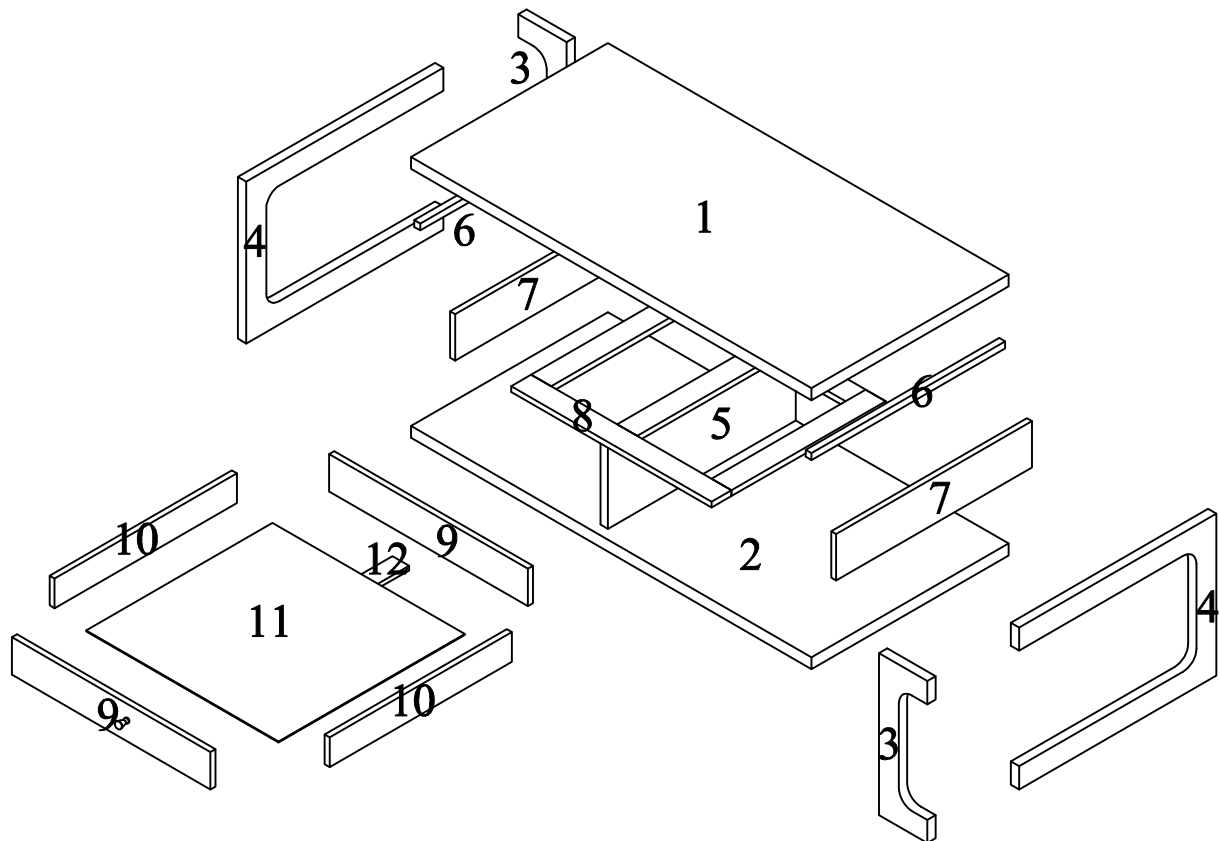
Tip #3: Read manual before assembling, it helps!

ITEM#: 151224CT



PARTS IDENTIFICATION

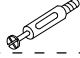



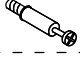

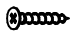



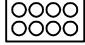

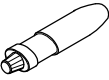
ITEM#: 151224CT



(1)	1pc	(7)	2pcs
(2)	1pc	(8)	1pc
(3)	2pcs	(9)	2pcs
(4)	2pcs	(10)	2pcs
(5)	1pc	(11)	1pc
(6)	2pcs	(12)	1pc

HARDWARE IDENTIFICATION

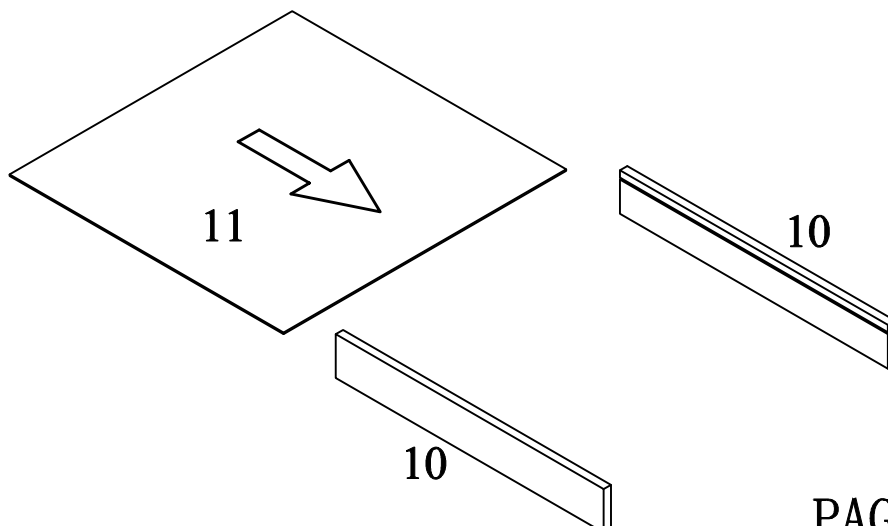
ITEM#: 151224CT

A		L29	22pcs
B		Φ15	22pcs
C		Φ8x25	26pcs
D		ET12	8pcs
E		L20	8pcs
F		Φ6x30	4pcs
G		Φ4x35	20pcs
H		M4x22	2pcs
I			2pcs
J		Φ16	6pcs
K		Φ 20 (DTP)	2pcs
L		Φ 20 (BLK3)	2pcs
M		Glue: For securing please apply to wood dowel first before inserting into panel	1pcs

ASSEMBLY INSTRUCTION

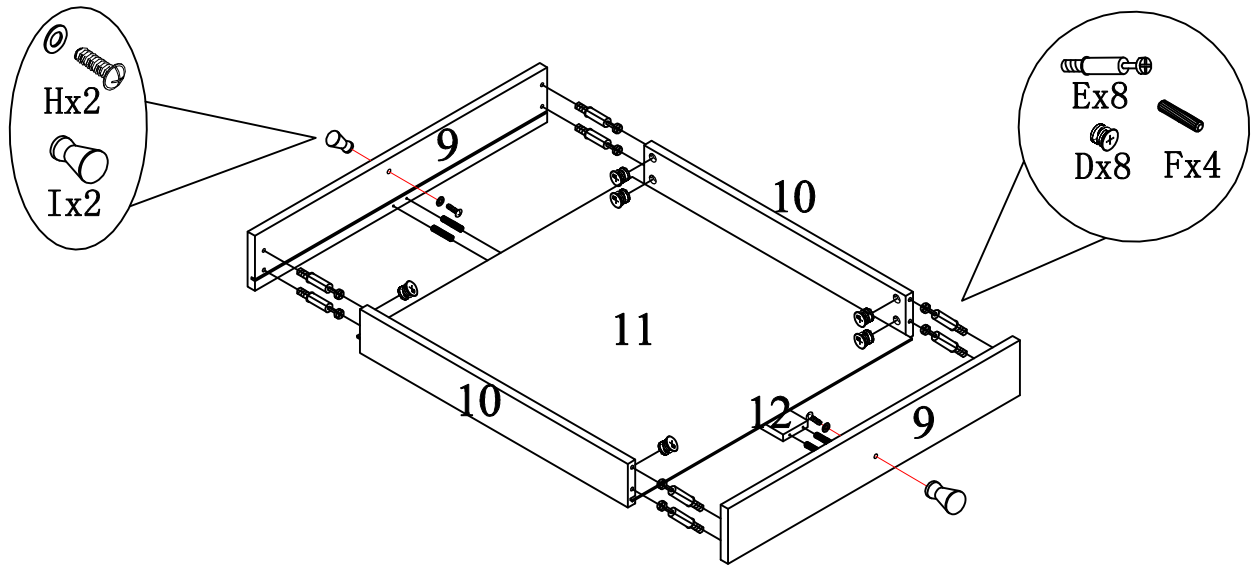
ITEM#: 151224CT

STEP1



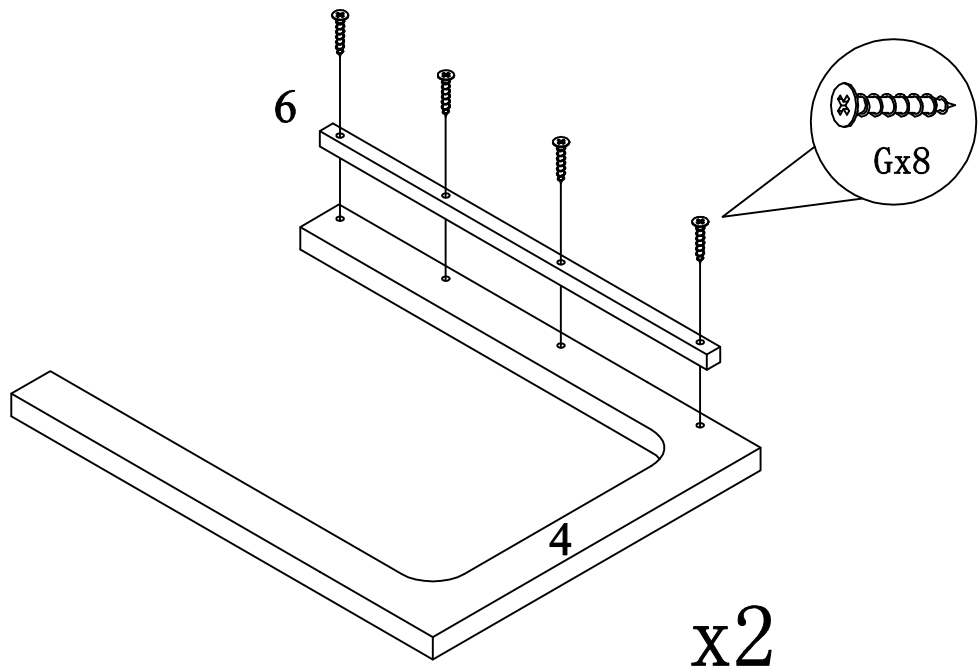
ASSEMBLY INSTRUCTION

ITEM#: 151224CT



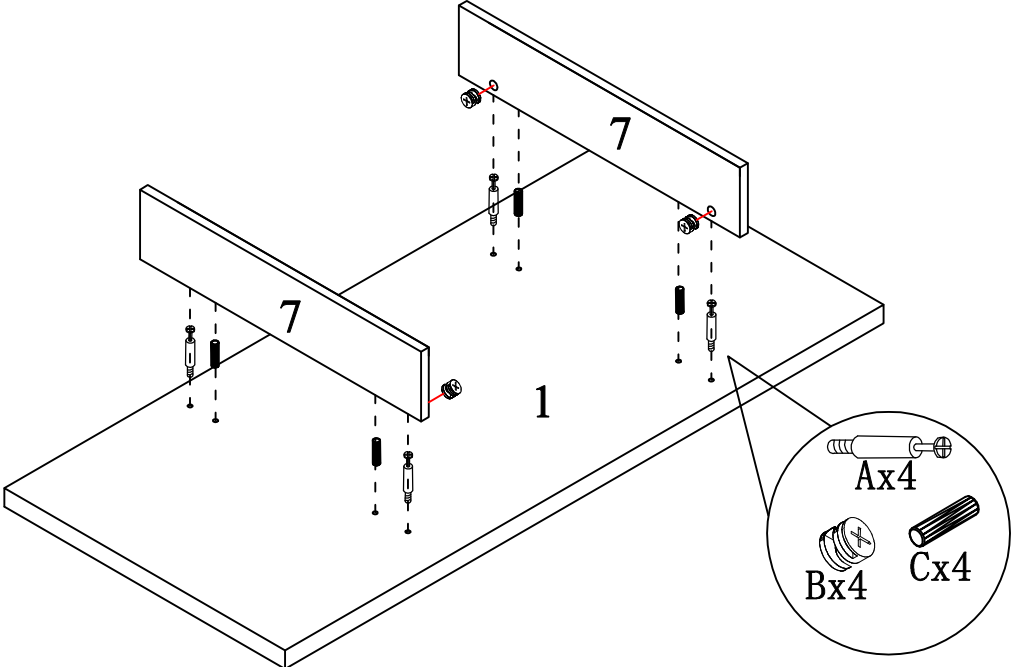
STEP 2

STEP 3



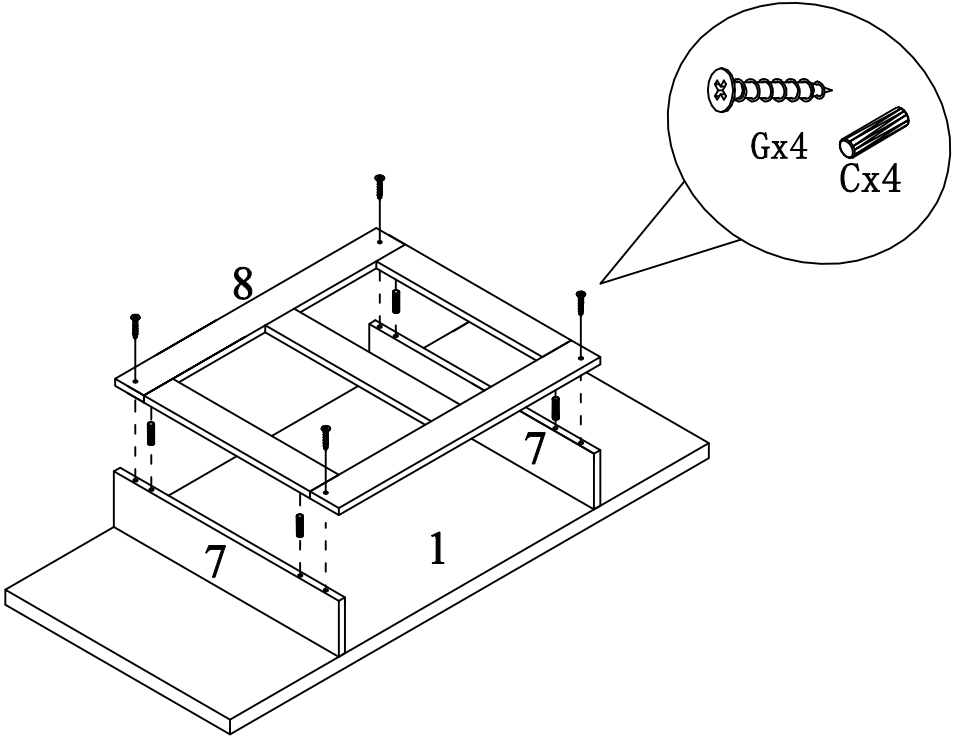
ASSEMBLY INSTRUCTION

ITEM#: 151224CT



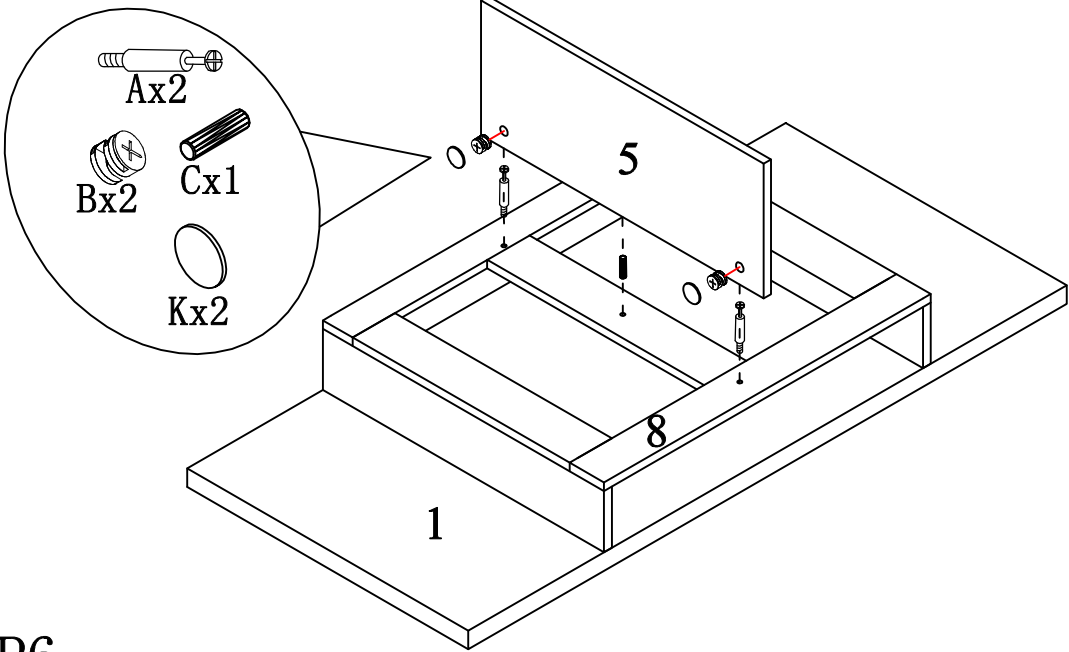
STEP4

STEP5



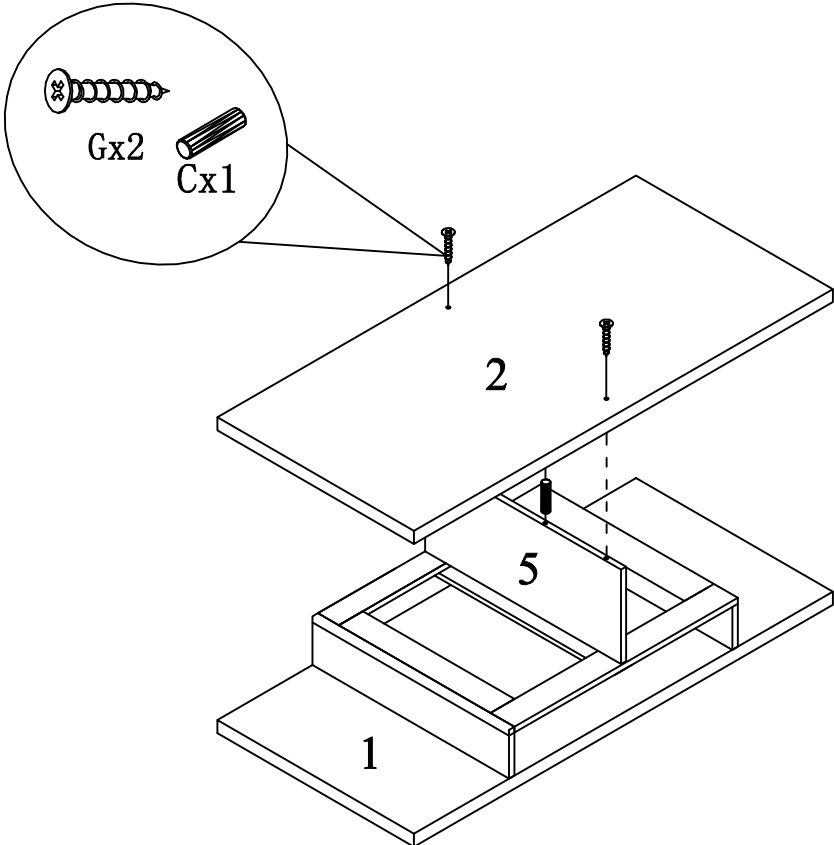
ASSEMBLY INSTRUCTION

ITEM#: 151224CT



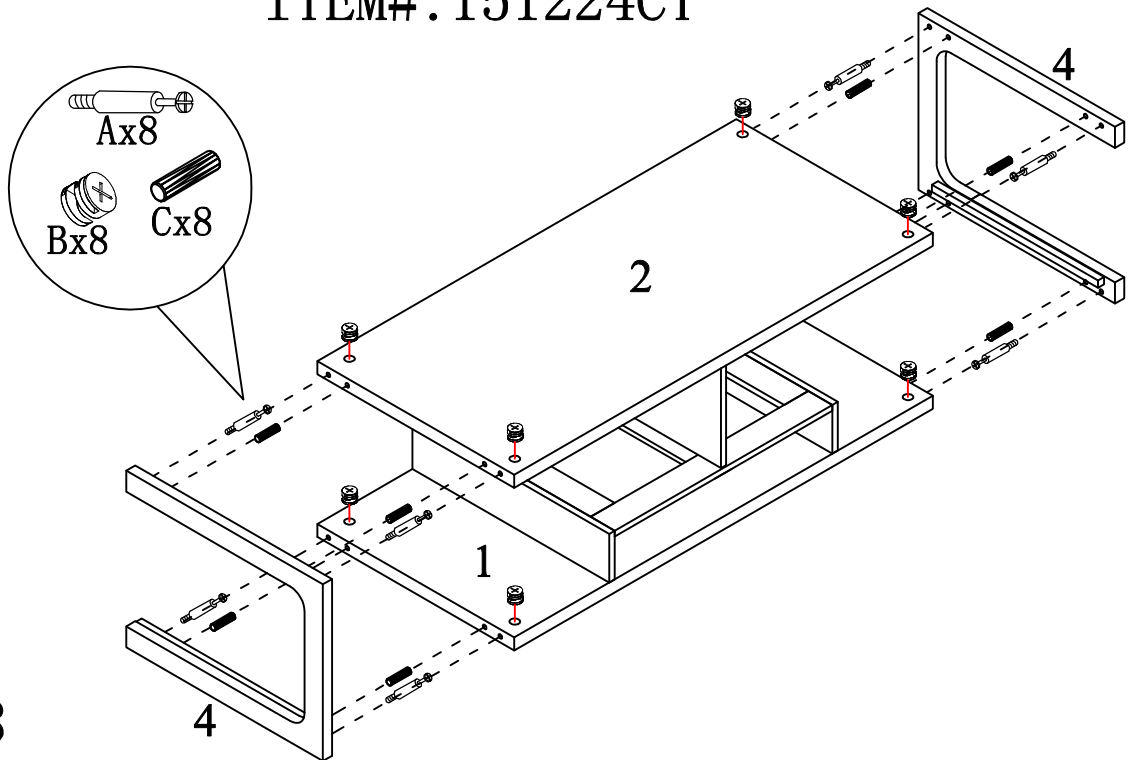
STEP6

STEP7



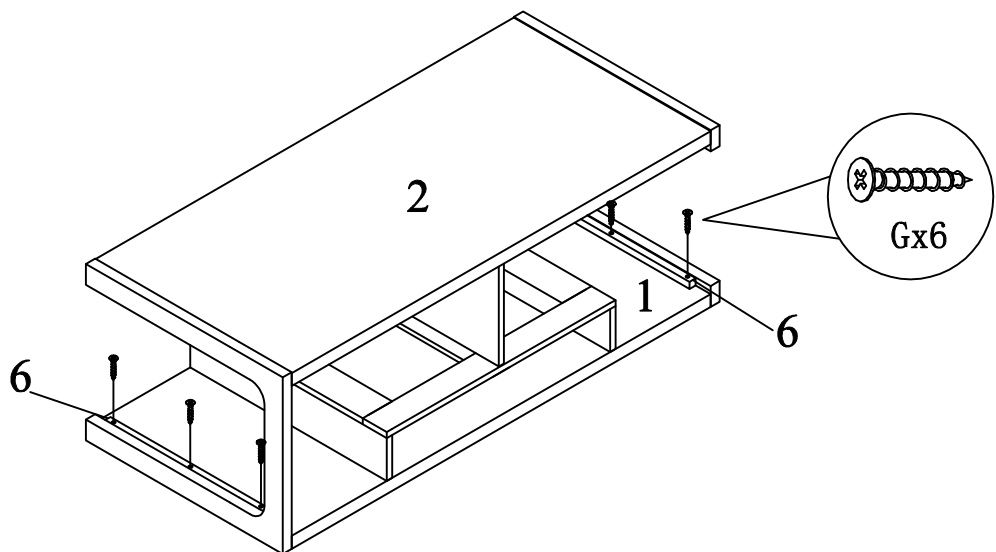
ASSEMBLY INSTRUCTION

ITEM#: 151224CT



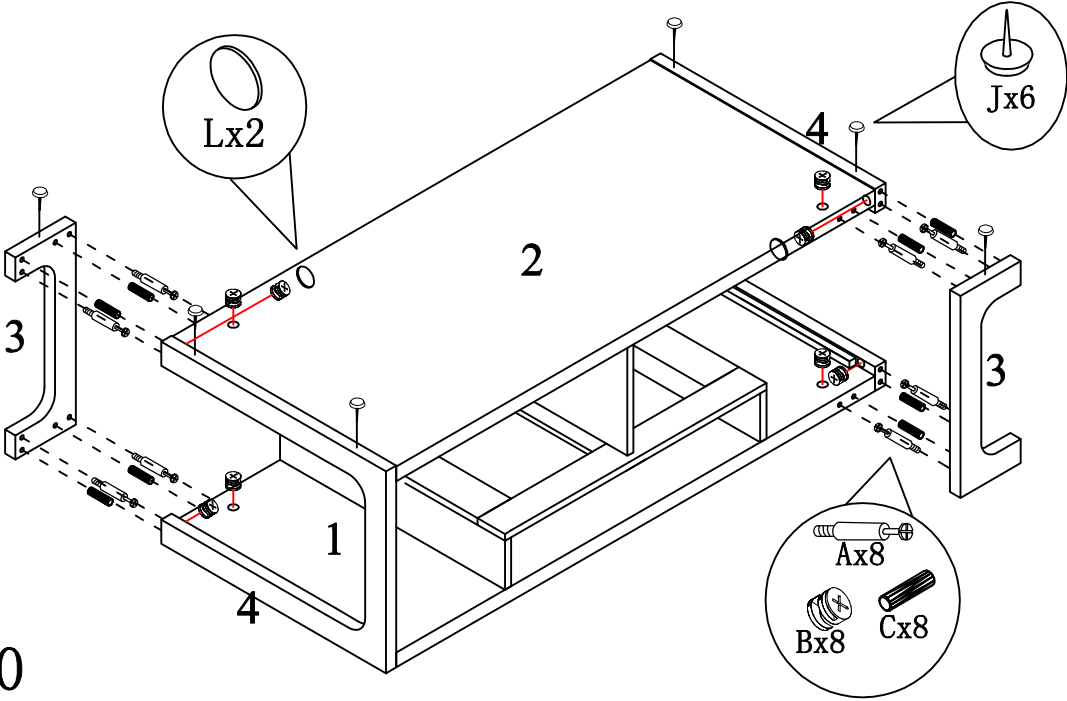
STEP8

STEP9



ASSEMBLY INSTRUCTION

ITEM#: 151224CT



STEP 10

STEP 11

