

ASSEMBLY INSTRUCTION

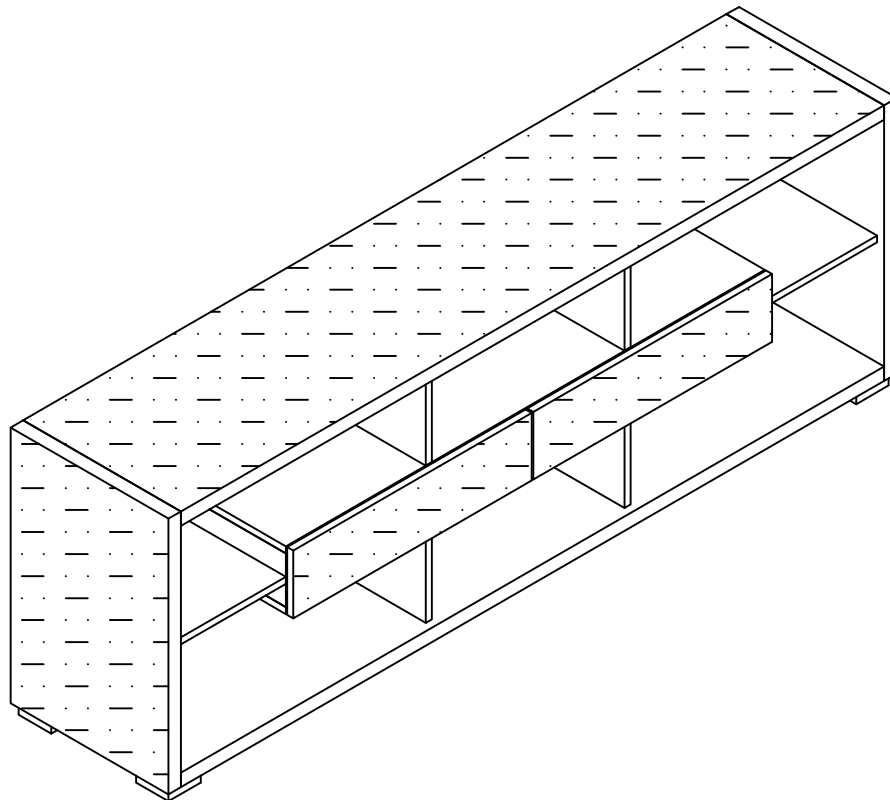
PLEASE READ BEFORE ASSEMBLING!

Tip #1: Make sure you've taken all the pieces and hardware out of its packaging before discarding the box.

Tip #2: Using page 2 and/or page 3 of instruction manual make sure all pieces and hardware are accounted for.

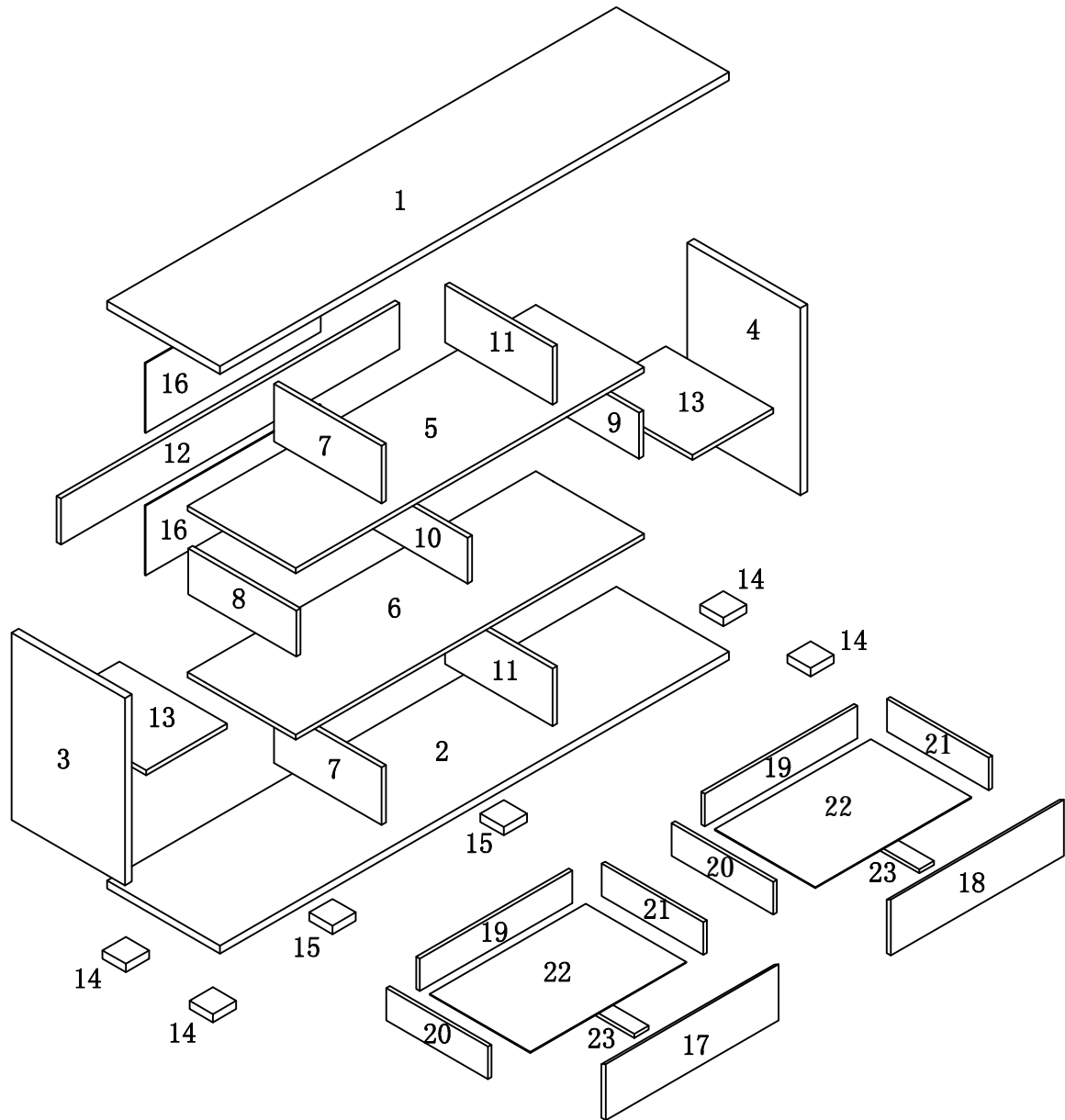
Tip #3: Read manual before assembling, it helps!

ITEM#: 151279



PARTS IDENTIFICATION

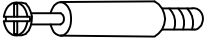


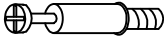


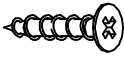

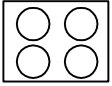


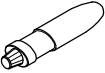
ITEM#: 151279



(1)	1pc	(9)	1pc	(17)	1pc
(2)	1pc	(10)	1pc	(18)	1pc
(3)	1pc	(11)	2pcs	(19)	2pcs
(4)	1pc	(12)	1pc	(20)	2pcs
(5)	1pc	(13)	2pcs	(21)	2pcs
(6)	1pc	(14)	4pcs	(22)	2pcs
(7)	2pcs	(15)	2pcs	(23)	2pcs
(8)	1pc	(16)	2pcs		

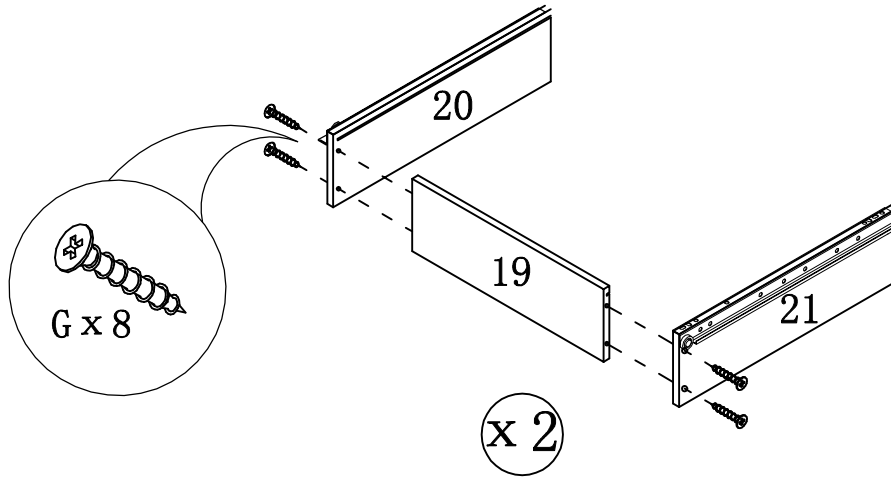
HARDWARE IDENTIFICATION

ITEM#: 151279

A		L29	35pcs
B		ϕ 15	35pcs
C		ϕ 8 x 25	28pcs
D		L20	8pcs
E		ϕ 12	8pcs
F		ϕ 6 x 30	4pcs
G		ϕ 4 x 30	29pcs
H		ϕ 4 x 40	12pcs
I		ϕ 20	8pcs
J		Z1016	30pcs
K		ϕ 16	6pcs
L		Glue: For securing please apply to wood dowel first before inserting into panel	1pc

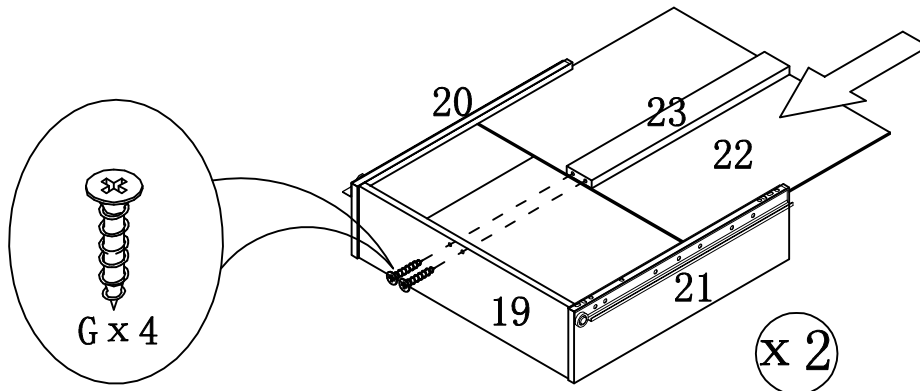
ASSEMBLY INSTRUCTION

ITEM#: 151279

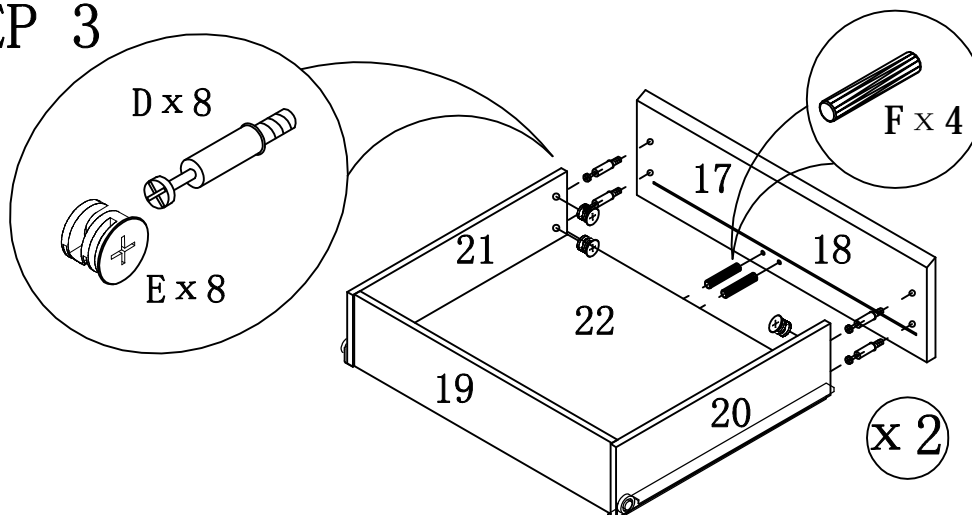


STEP 1

STEP 2

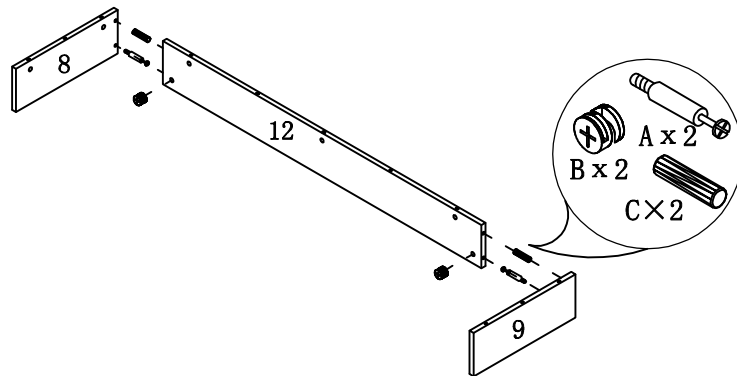


STEP 3



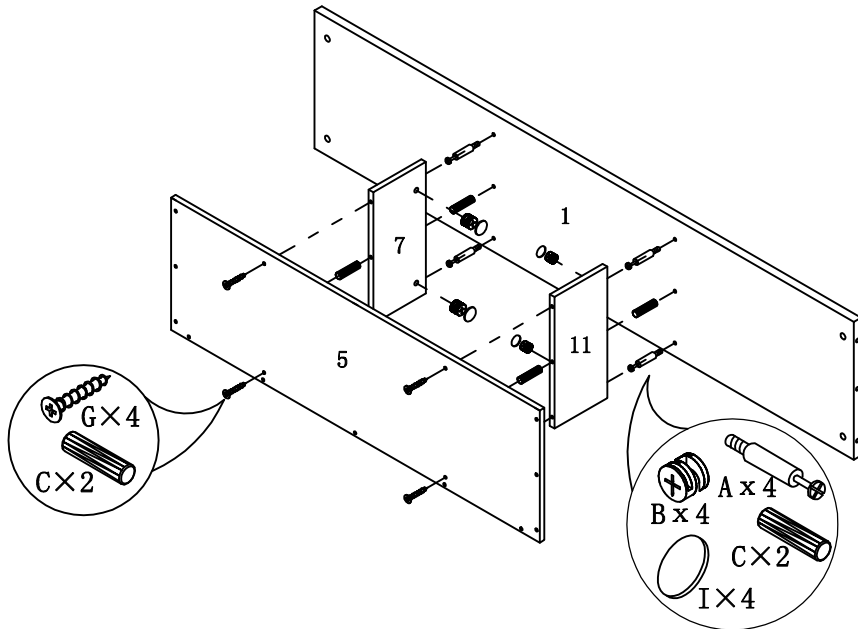
ASSEMBLY INSTRUCTION

ITEM#: 151279

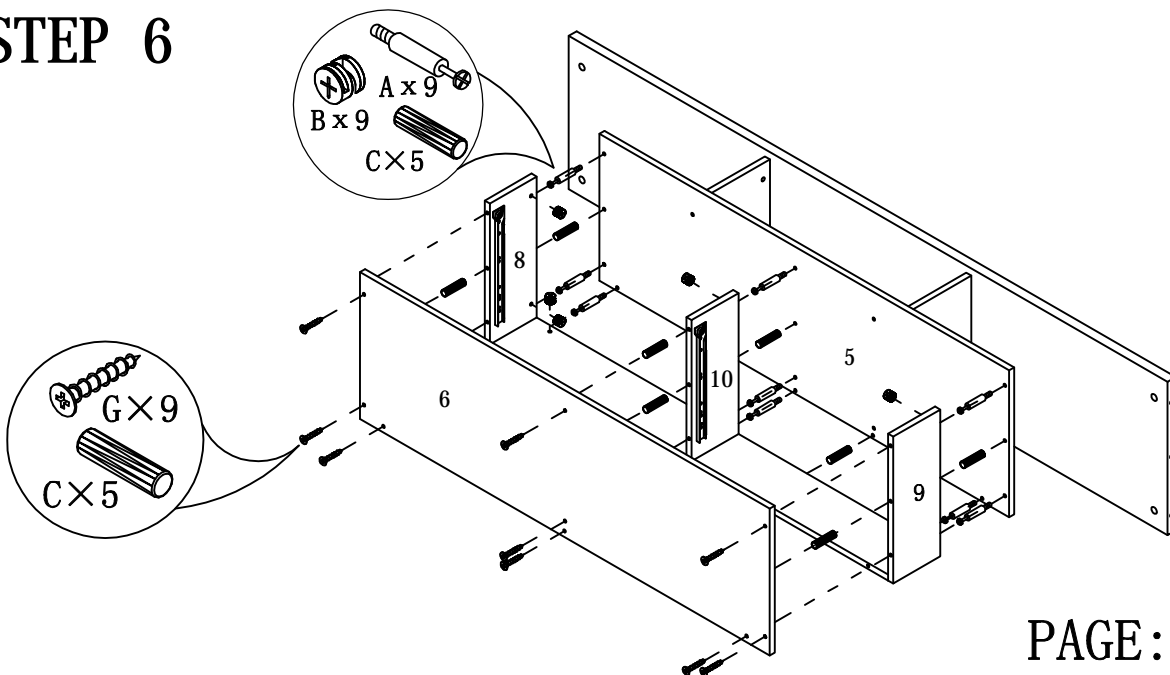


STEP 4

STEP 5

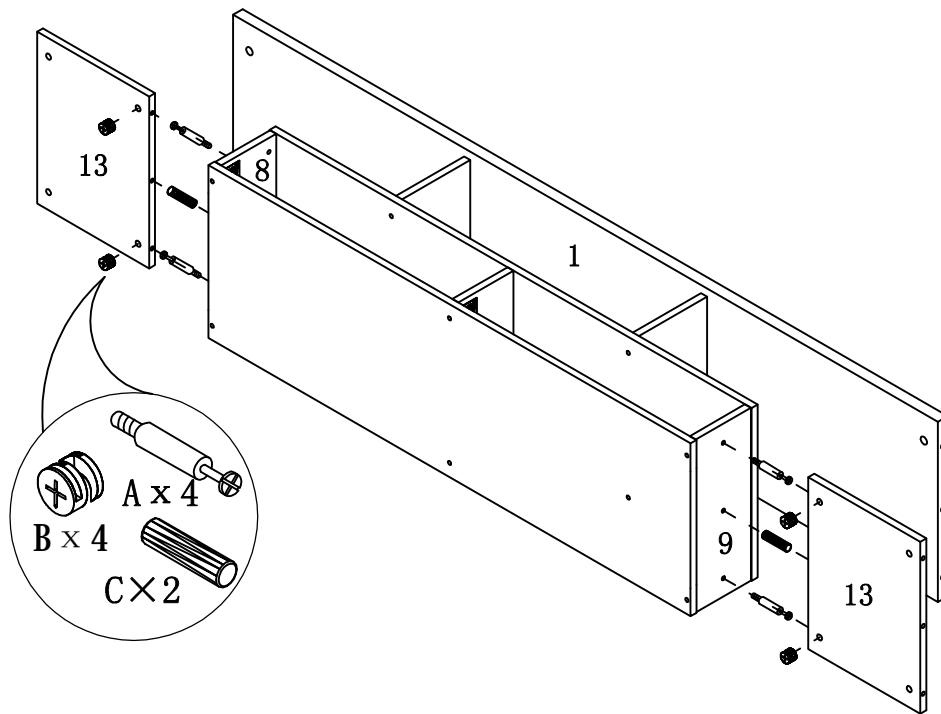


STEP 6



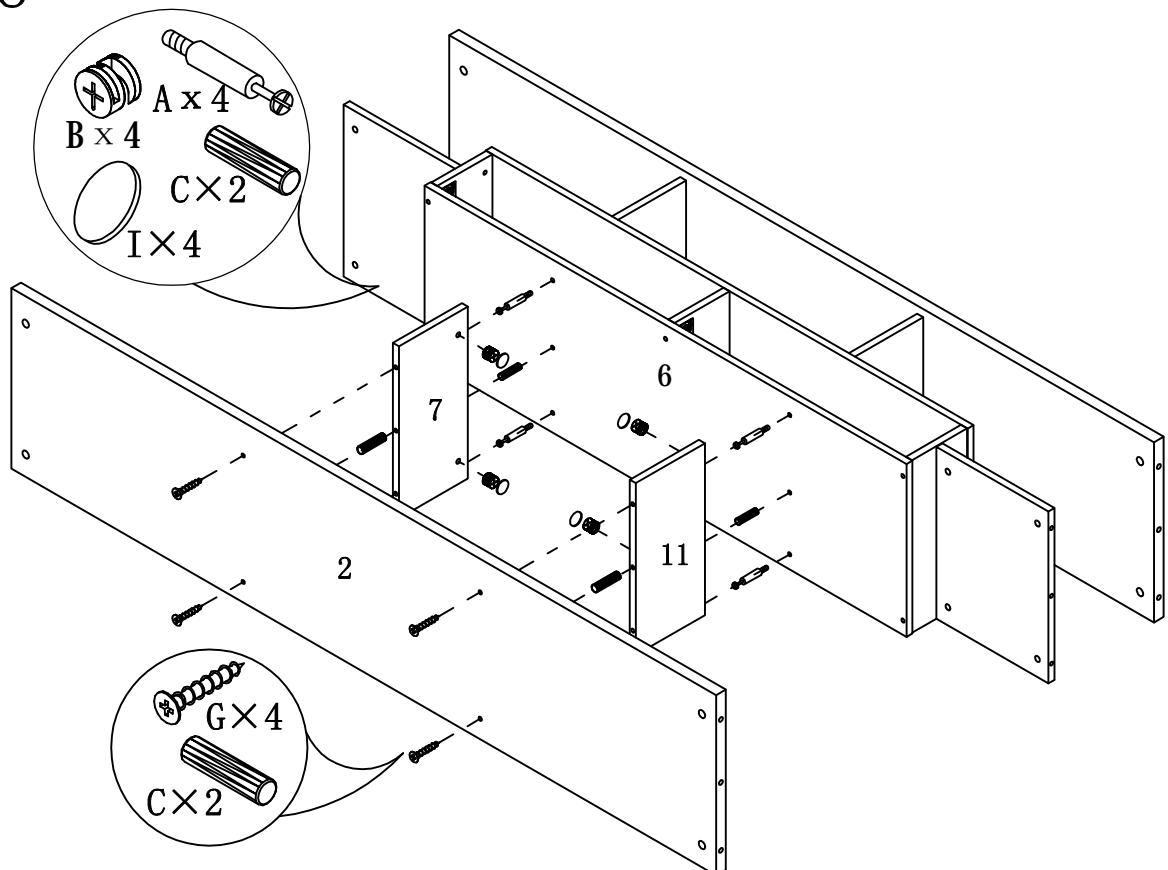
ASSEMBLY INSTRUCTION

ITEM#: 151279



STEP 7

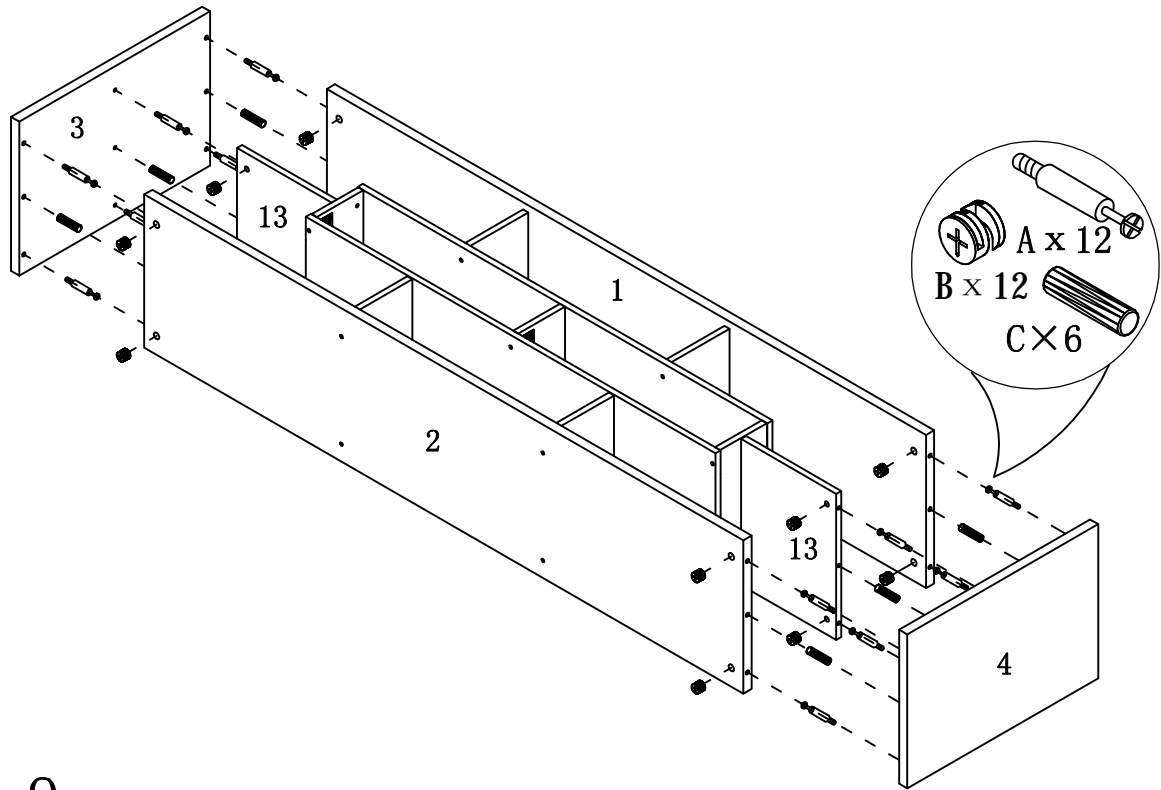
STEP 8



PAGE: 6 OF 8

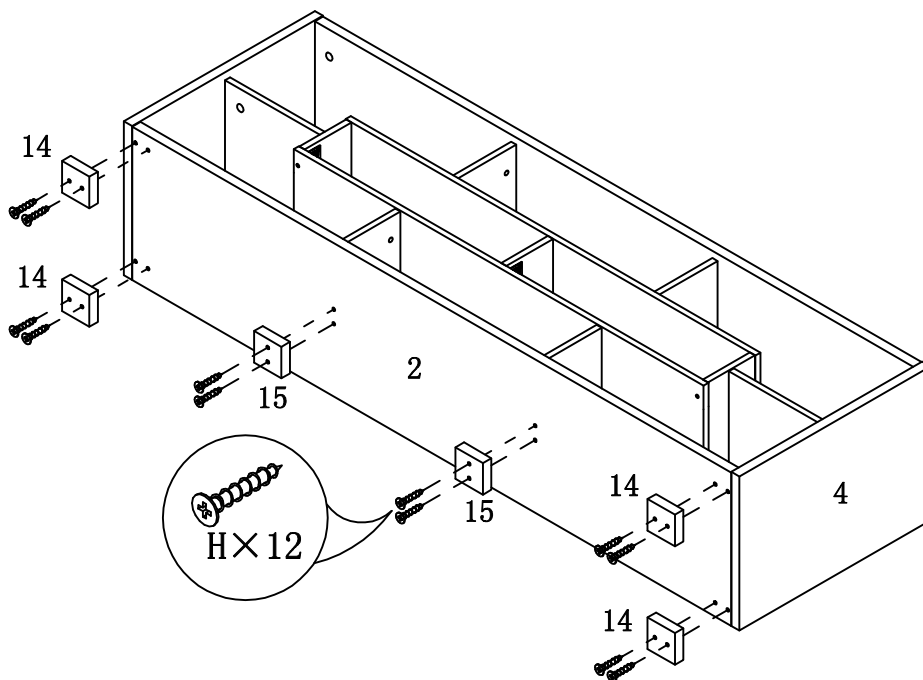
ASSEMBLY INSTRUCTION

ITEM#: 151279



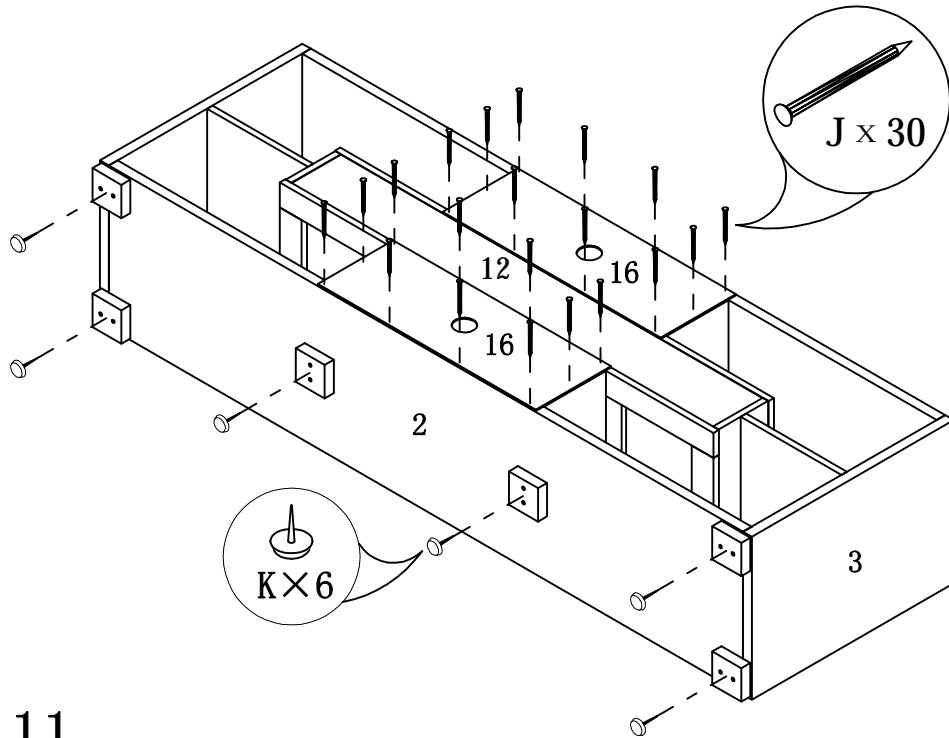
STEP 9

STEP 10



ASSEMBLY INSTRUCTION

ITEM#: 151279



STEP 11

STEP 12

