

# ASSEMBLY INSTRUCTION

---

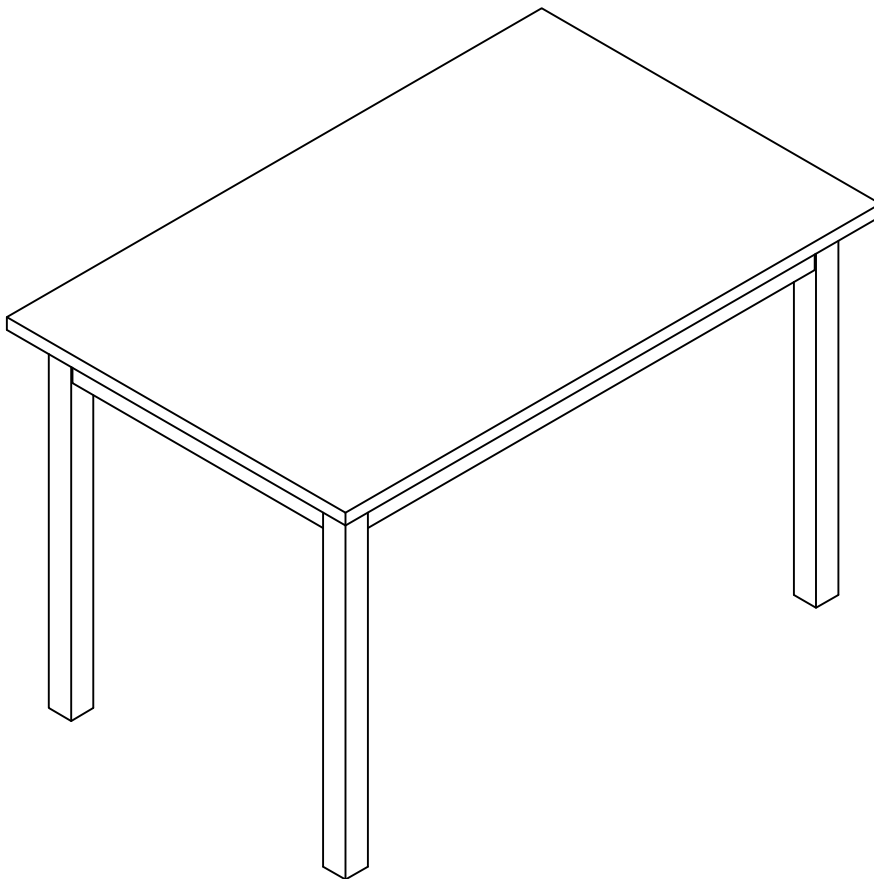
## **PLEASE READ BEFORE ASSEMBLING!**

Tip #1: Make sure you've taken all the pieces and hardware out of its packaging before discarding the box.

Tip #2: Using page 2 and/or page 3 of instruction manual make sure all pieces and hardware are accounted for.

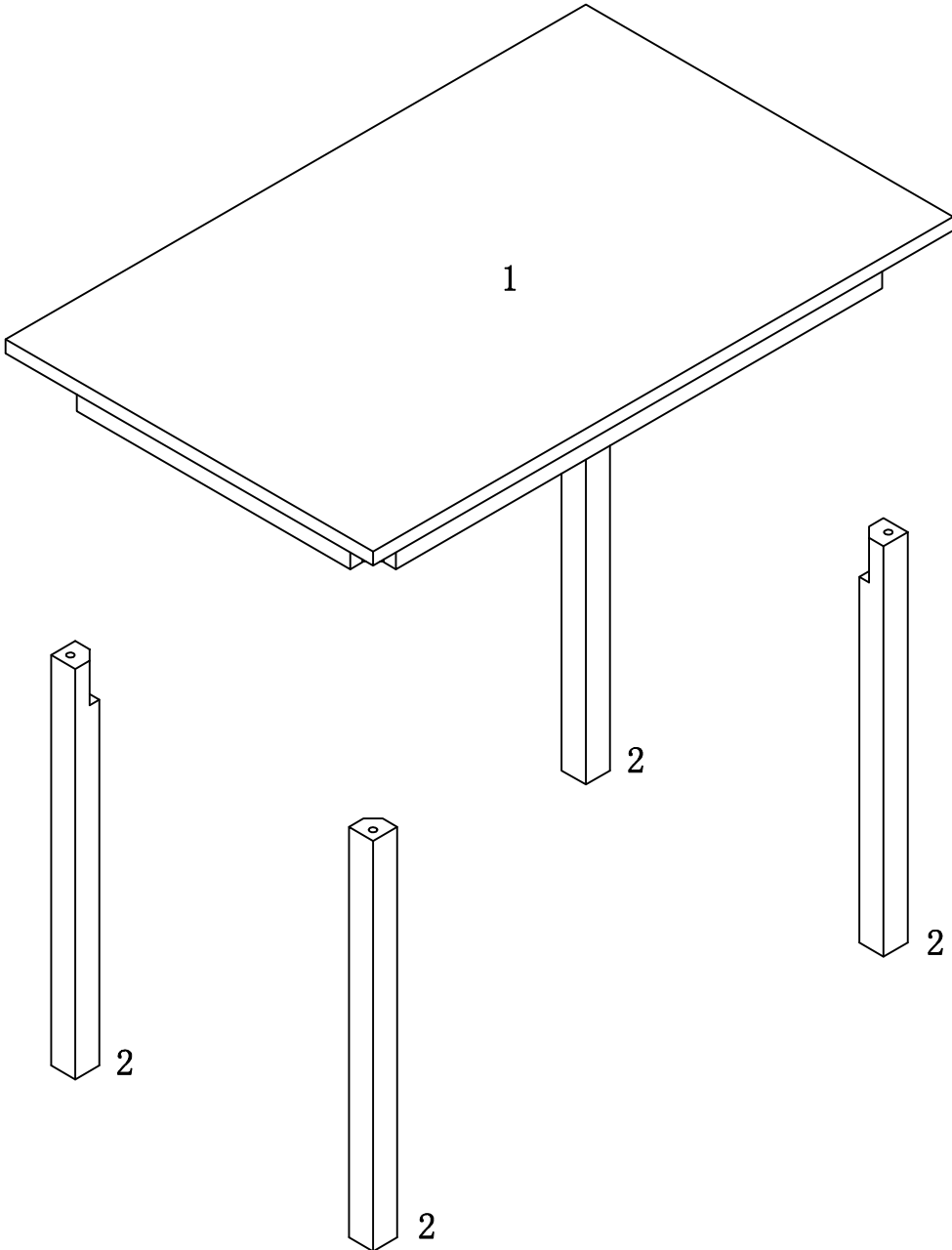
Tip #3: Read manual before assembling, it helps!

ITEM#: 151317、 151269



# PARTS IDENTIFICATION


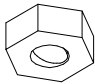
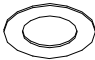

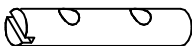

ITEM#: 151317、151269



(1)	1pc
(2)	4pcs

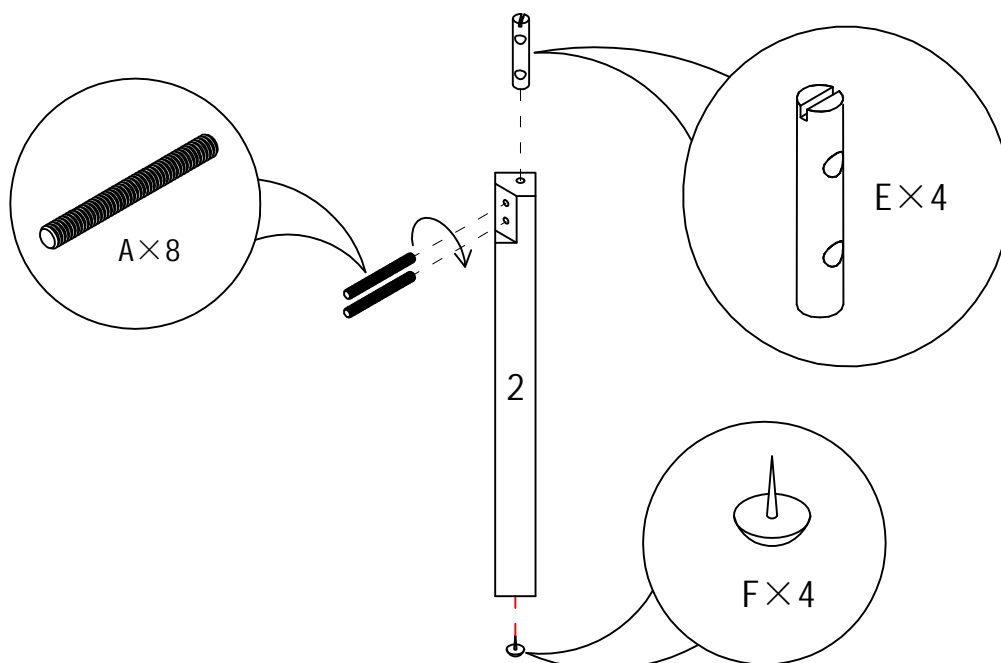
# HARDWARE IDENTIFICATION

ITEM#: 151317、 151269

A		$\phi 8 \times 85$	8pcs
B		M8	8pcs
C		$\phi 8 \times 16 \times 2$	8pcs
D		M13	1pc
E		$\phi 12 \times 60$	4pcs
F		$\phi 16$	4pcs

# ASSEMBLY INSTRUCTION

ITEM#: 151317、 151269

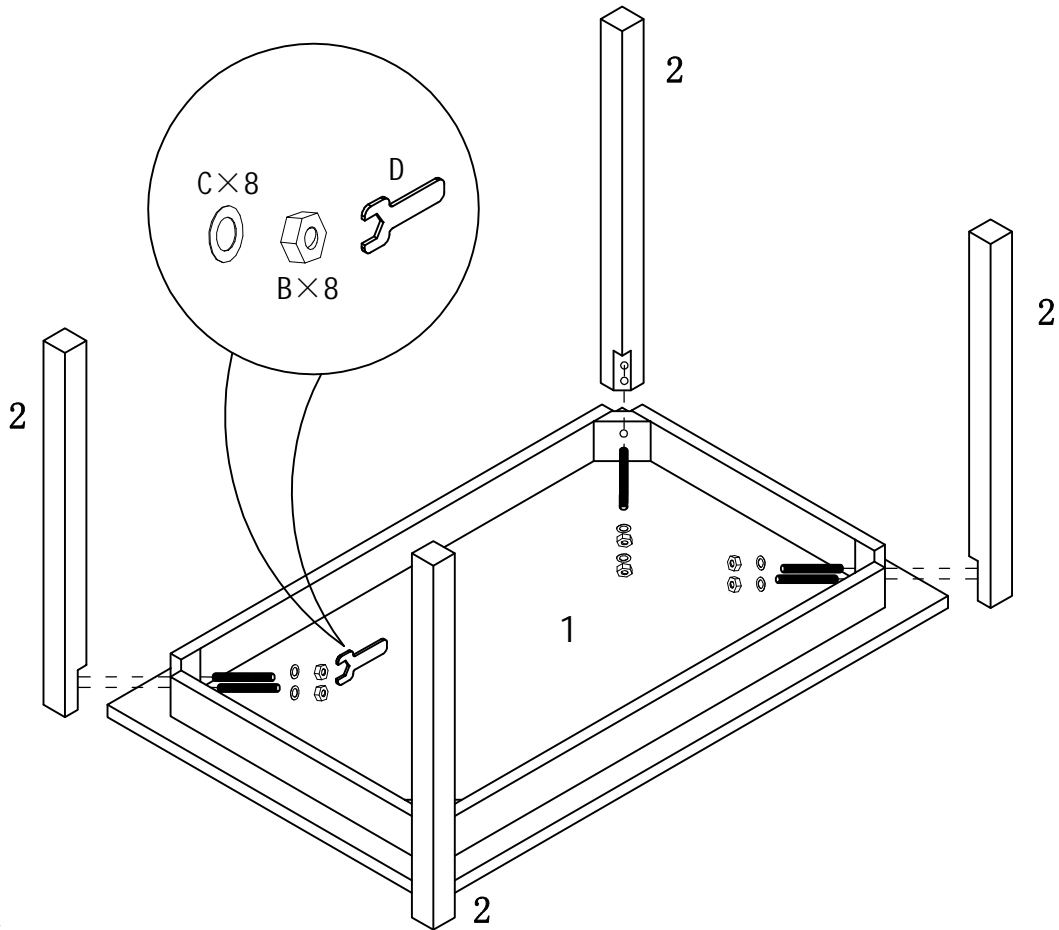


STEP1

PAGE: 3 OF 4

# ASSEMBLY INSTRUCTION

ITEM#: 151317、151269



STEP2

STEP3

