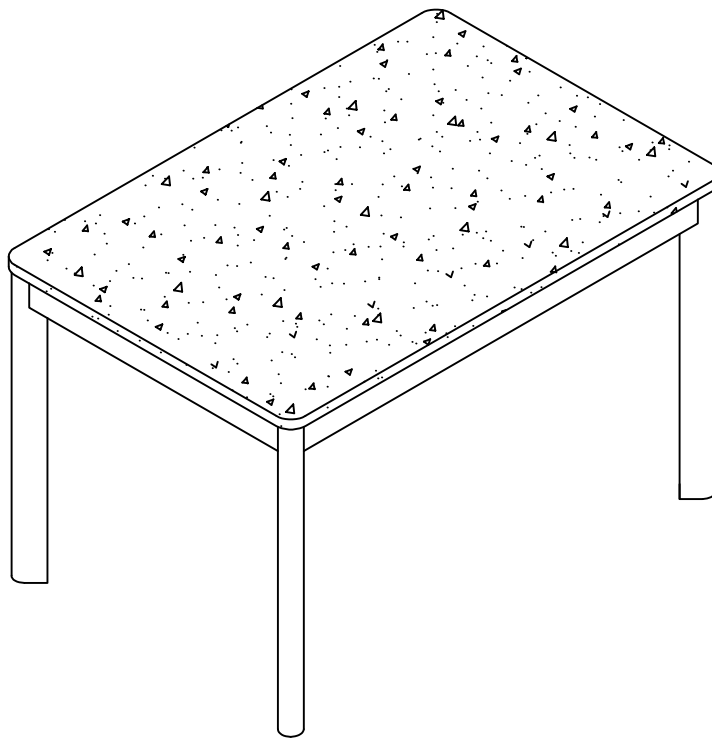


ASSEMBLY INSTRUCTION

ITEM#: 151409/161496



VERSION: 20160618

ASSEMBLY INSTRUCTION

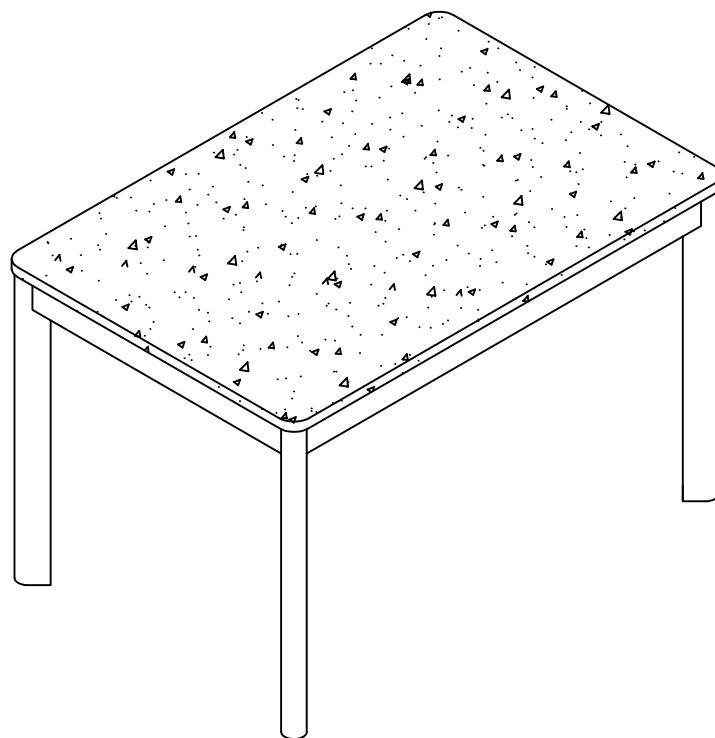
PLEASE READ BEFORE ASSEMBLING!

Tip #1: Make sure you've taken all the pieces and hardware out of its packaging before discarding the box.

Tip #2: Using page 2 and/or page 3 of instruction manual make sure all pieces and hardware are accounted for.

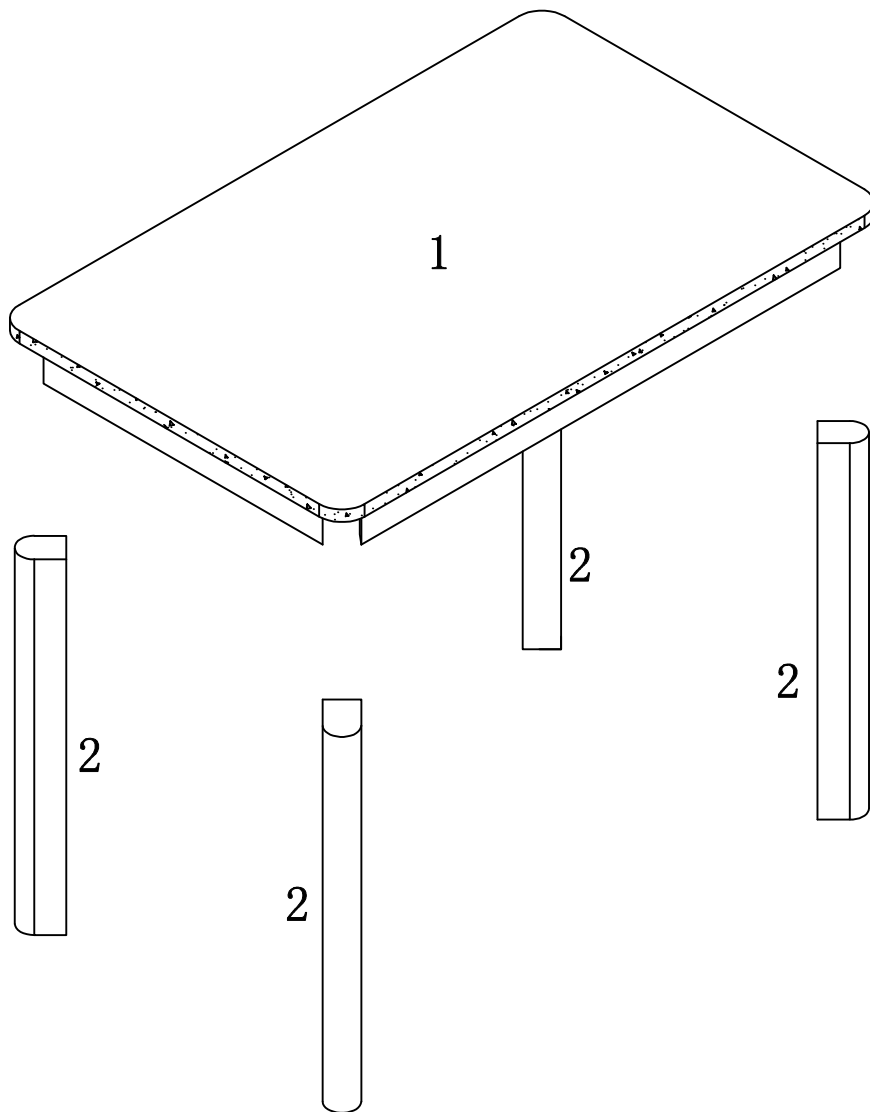
Tip #3: Read manual before assembling, it helps!

ITEM#: 151409/161496



PARTS IDENTIFICATION


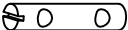




ITEM#: 151409/161496



(1)	1pc
(2)	4pcs

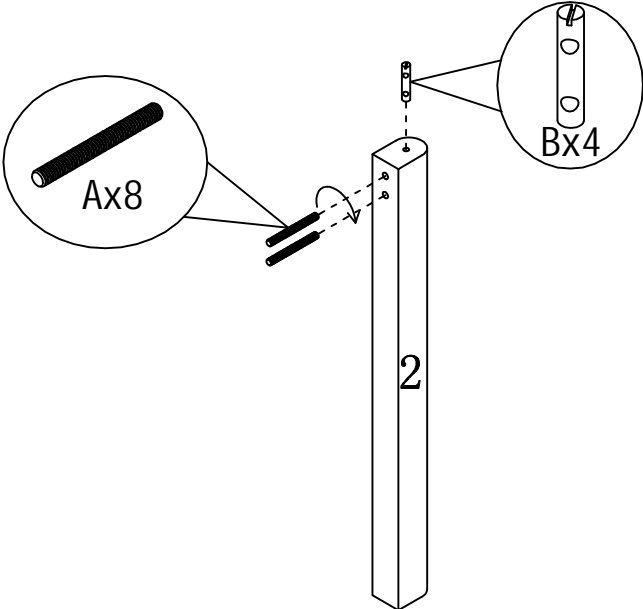
HARDWARE IDENTIFICATION

ITEM#: 151409/161496

A		M8x100	8pcs
B		Ø12x60	4pcs
C		Ø8x16x2	8pcs
D		M8	8pcs
E		M13	1pc
F		Ø16	4pcs

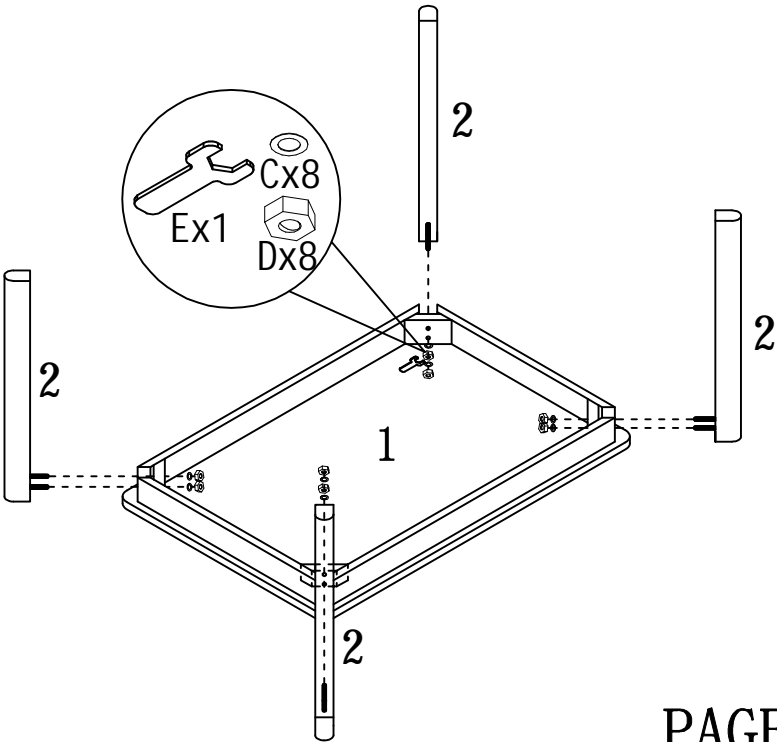
ASSEMBLY INSTRUCTION

ITEM#: 151409/161496



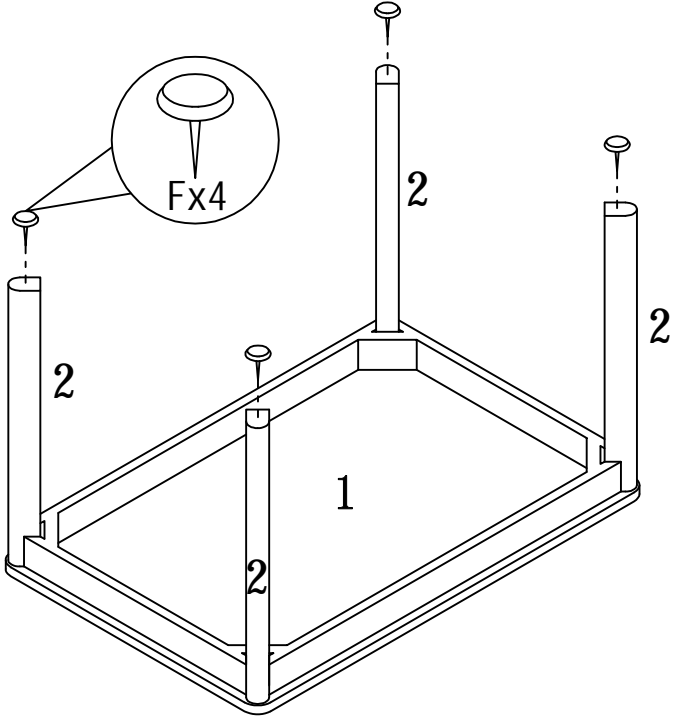
STEP1

STEP2



ASSEMBLY INSTRUCTION

ITEM#: 151409/161496



STEP3

STEP4

