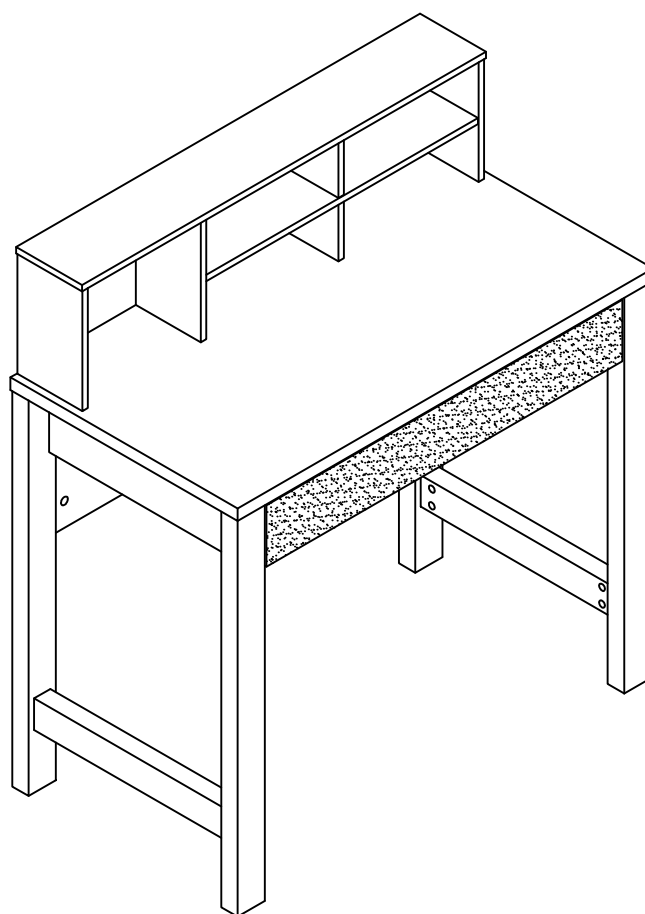


ASSEMBLY INSTRUCTION

ITEM#: 151417/161474



ASSEMBLY INSTRUCTION

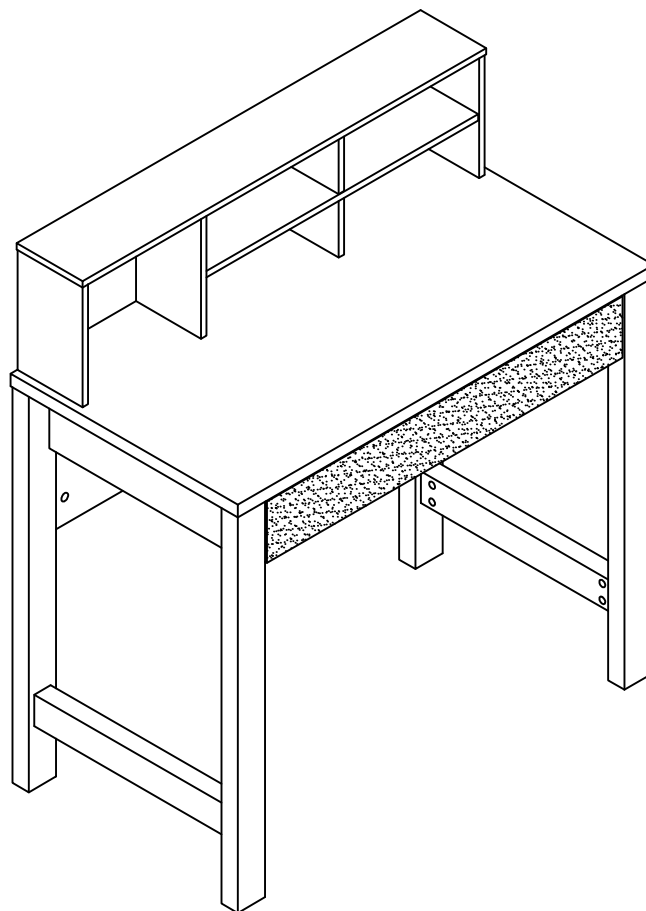
PLEASE READ BEFORE ASSEMBLING!

Tip #1: Make sure you've taken all the pieces and hardware out of its packaging before discarding the box.

Tip #2: Using page 2 and/or page 3 of instruction manual make sure all pieces and hardware are accounted for.

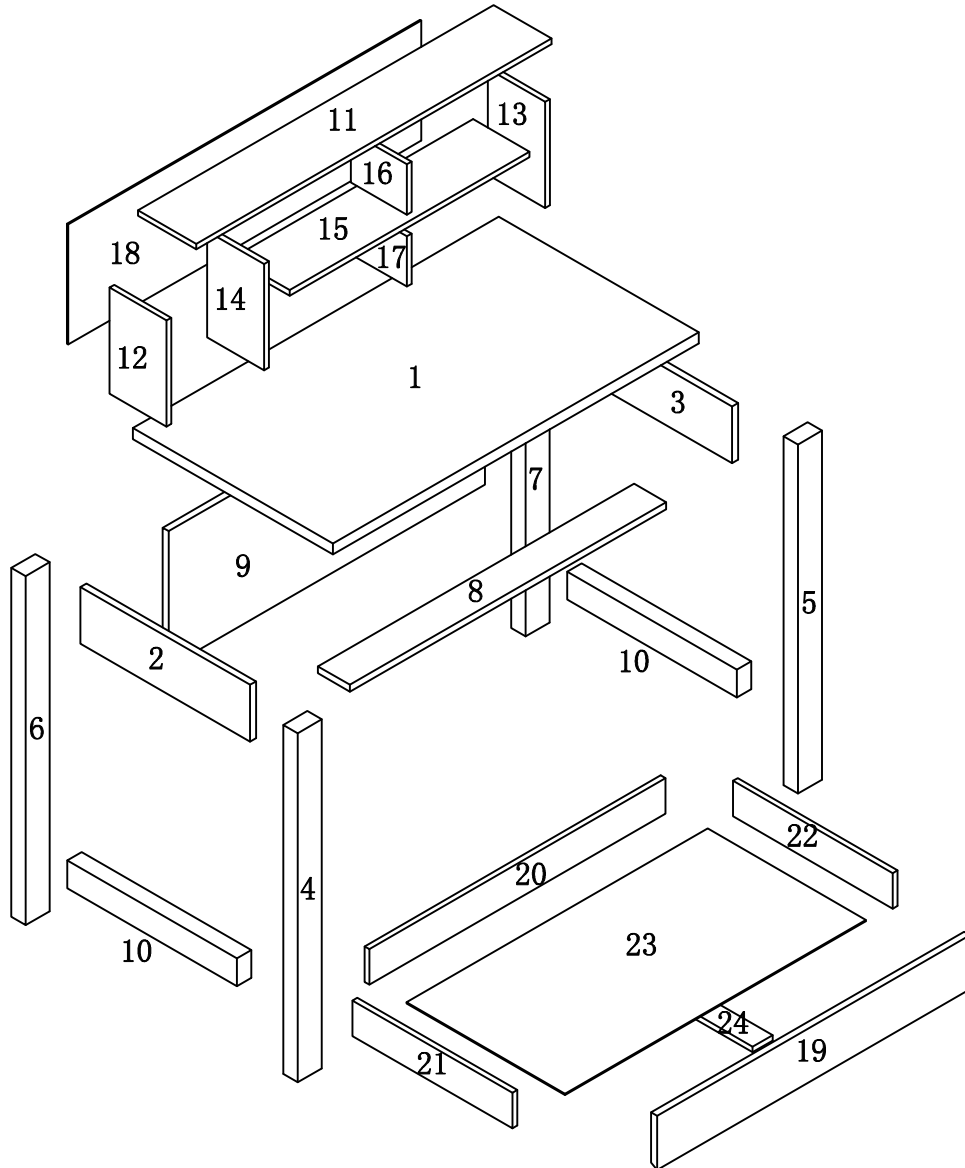
Tip #3: Read manual before assembling, it helps!

ITEM#: 151417/161474



PARTS IDENTIFICATION


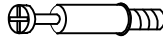

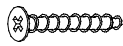

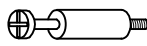

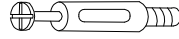

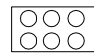


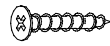

ITEM#: 151417/161474



(1)	1pc	(11)	1pc	(21)	1pc
(2)	1pc	(12)	1pc	(22)	1pc
(3)	1pc	(13)	1pc	(23)	1pc
(4)	1pc	(14)	1pc	(24)	1pc
(5)	1pc	(15)	1pc		
(6)	1pc	(16)	1pc		
(7)	1pc	(17)	1pc		
(8)	1pc	(18)	1pc		
(9)	1pc	(19)	1pc		
(10)	2pcs	(20)	1pc		

HARDWARE IDENTIFICATION

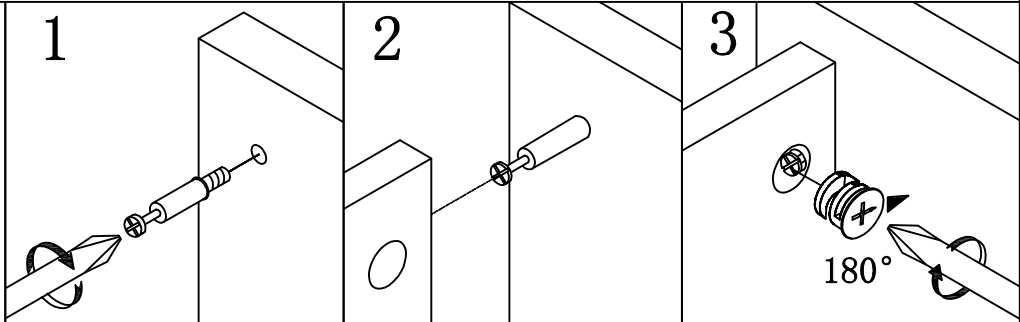
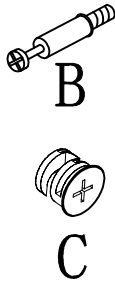
ITEM#: 151417/161474

A		Ø6x30	4pcs
B		L20	16pcs
C		Ø12	16pcs
D		Ø4x40	8pcs
E		Ø8x25	14pcs
F		L24	4pcs
G		Ø12	4pcs
H		L29	27pcs
I		Ø15	27pcs
J		Ø20	14pcs
K		Ø16	4pcs
L			20pcs
M		Ø4x30	6pcs
S		Glue: For securing please apply to wood dowel first before inserting into panel	1pc

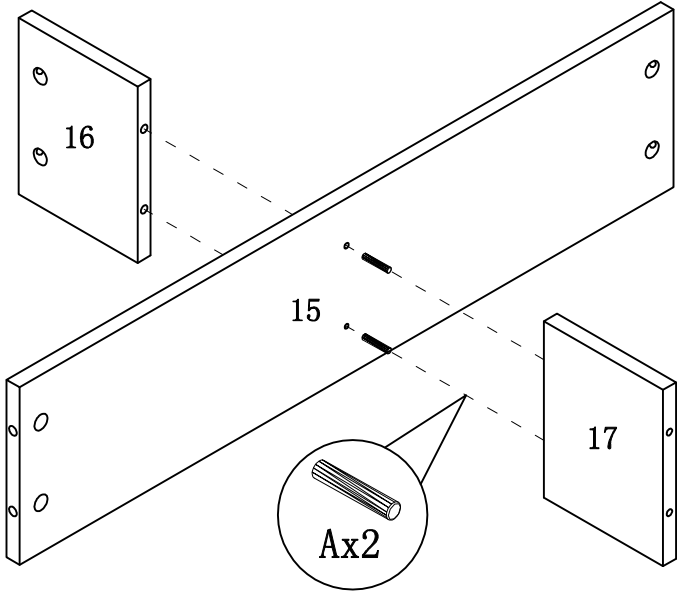
ASSEMBLY INSTRUCTION

ITEM#: 151417/161474

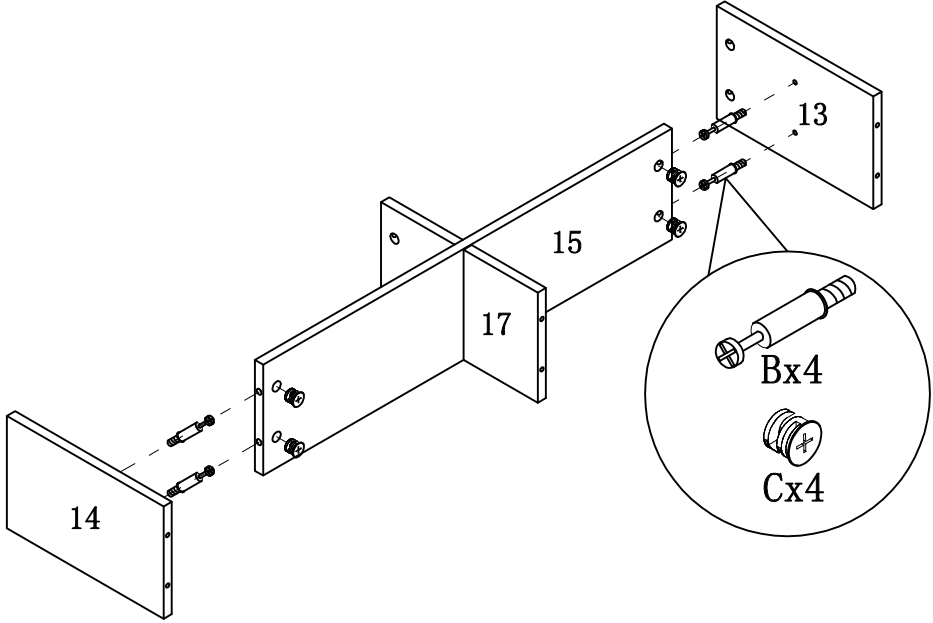
HOW TO



STEP1

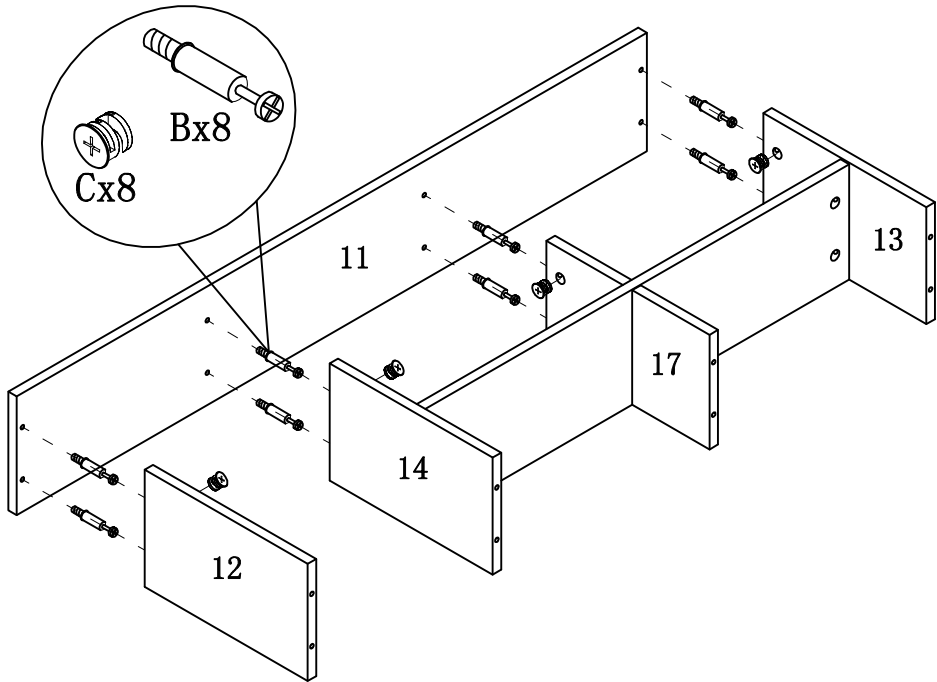


STEP2



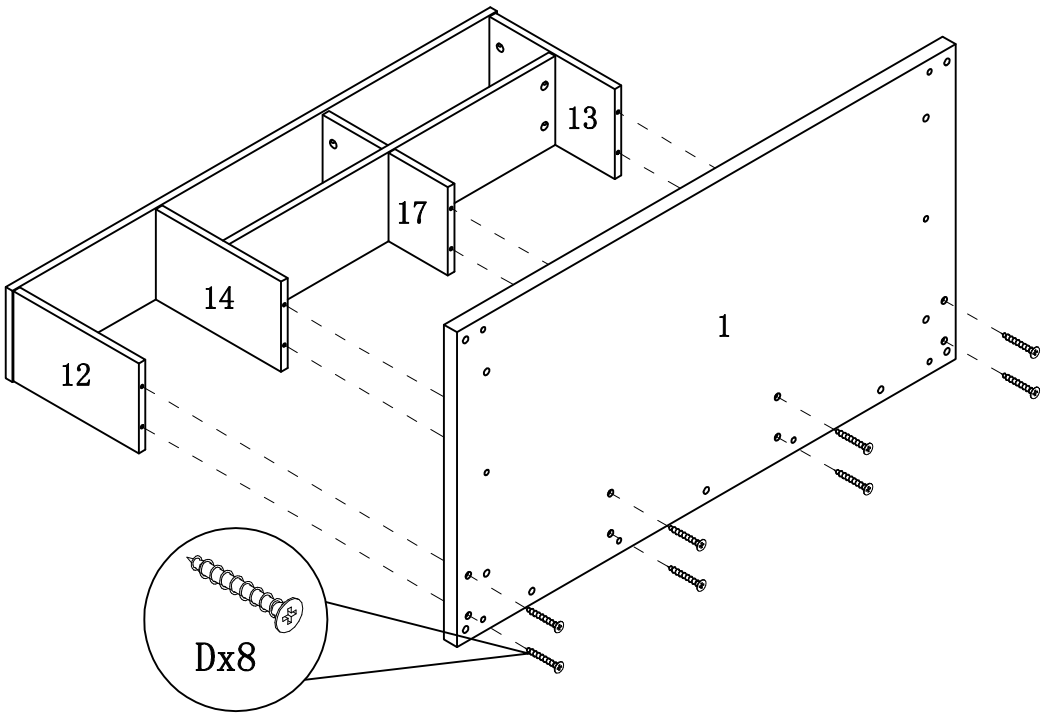
ASSEMBLY INSTRUCTION

ITEM#: 151417/161474



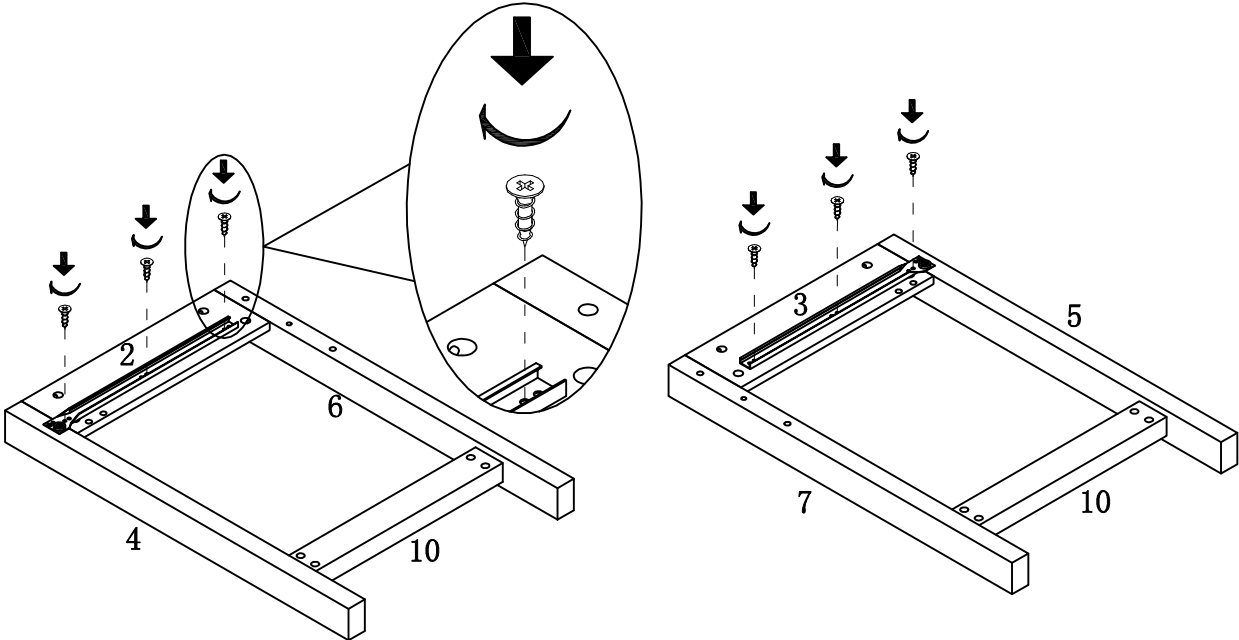
STEP3

STEP4



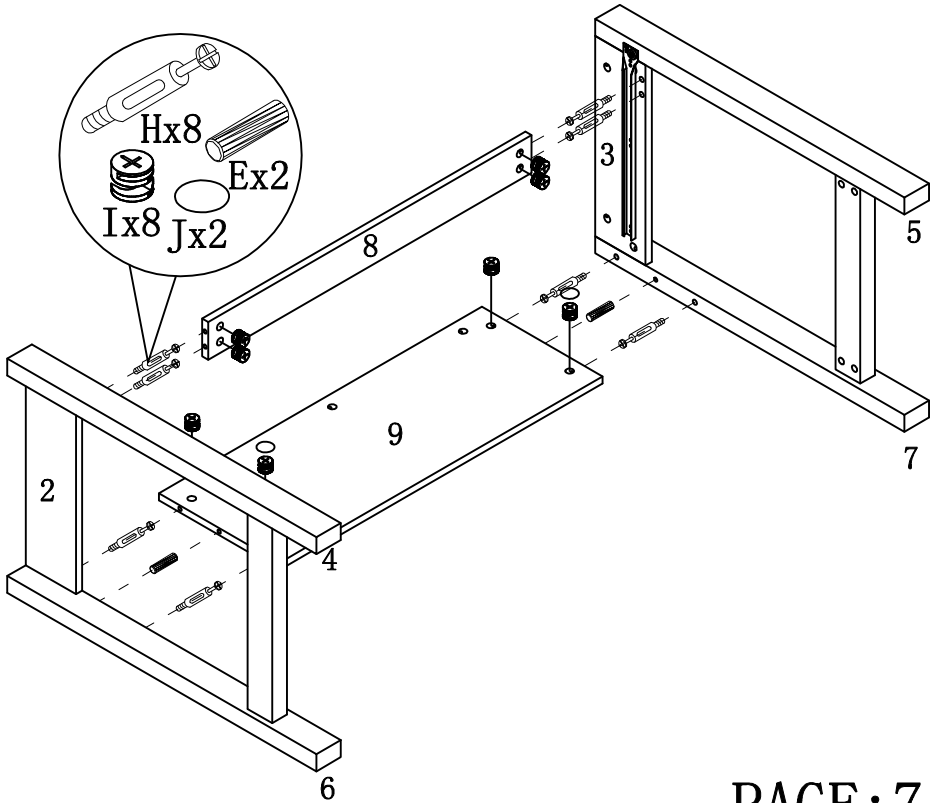
ASSEMBLY INSTRUCTION

ITEM#: 151417/161474



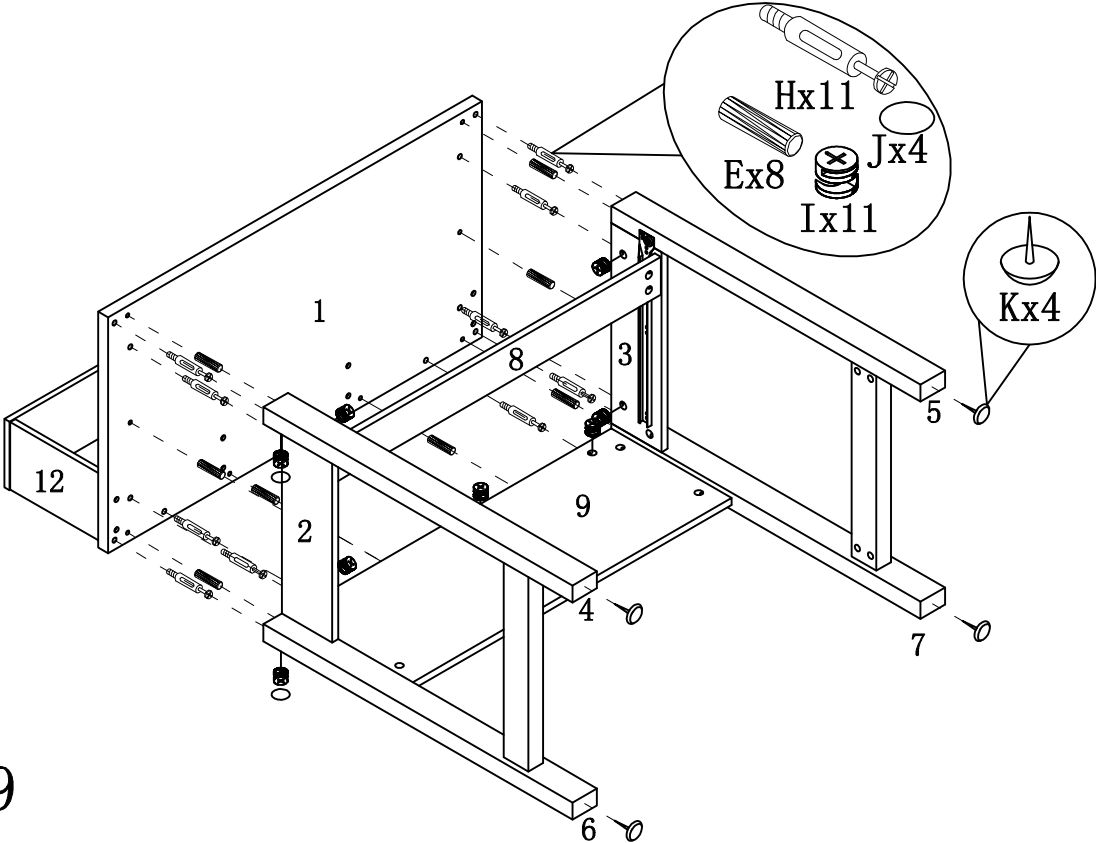
STEP 7

STEP 8



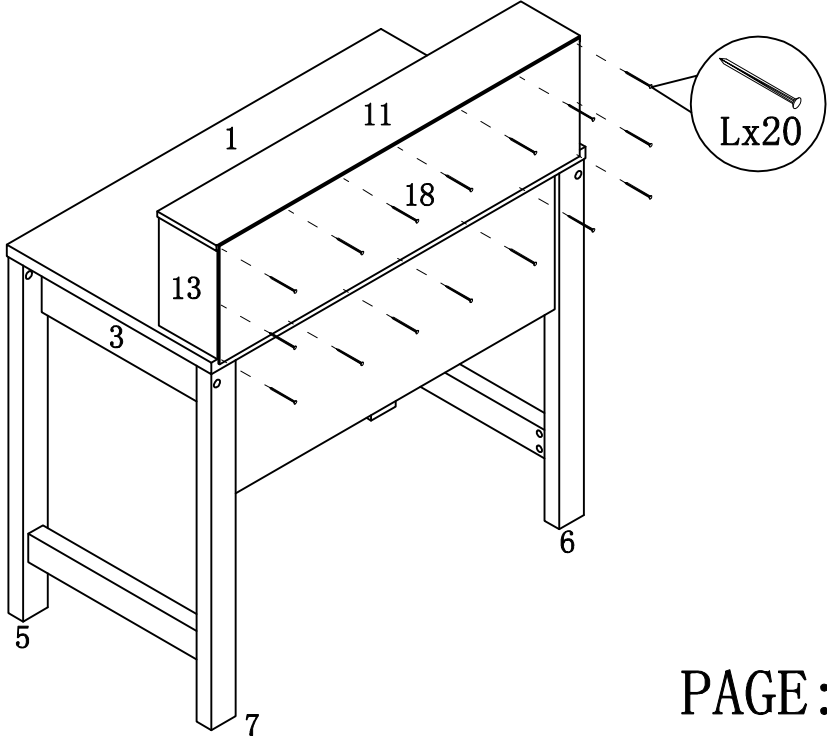
ASSEMBLY INSTRUCTION

ITEM#: 151417/161474



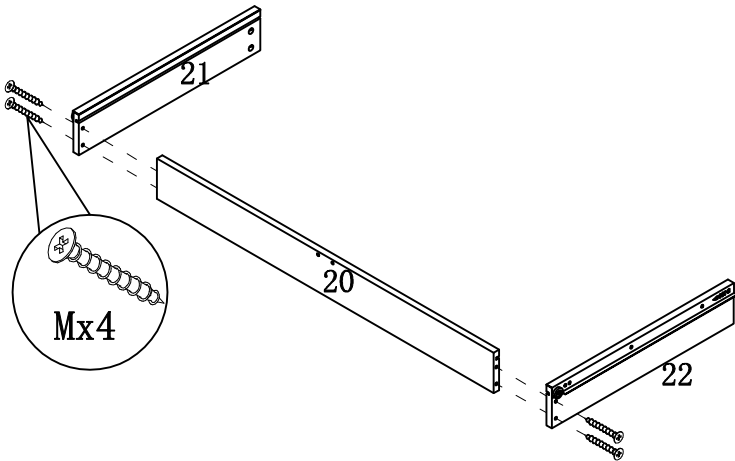
STEP9

STEP10



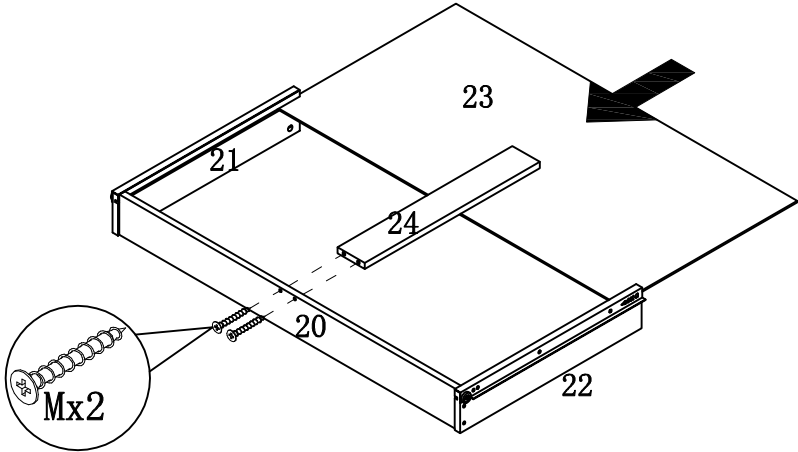
ASSEMBLY INSTRUCTION

ITEM#: 151417/161474

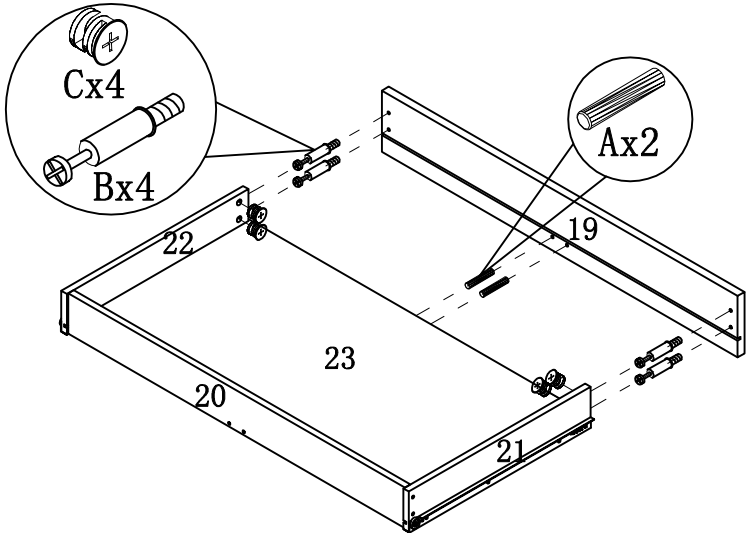


STEP11

STEP12

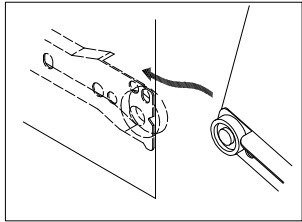
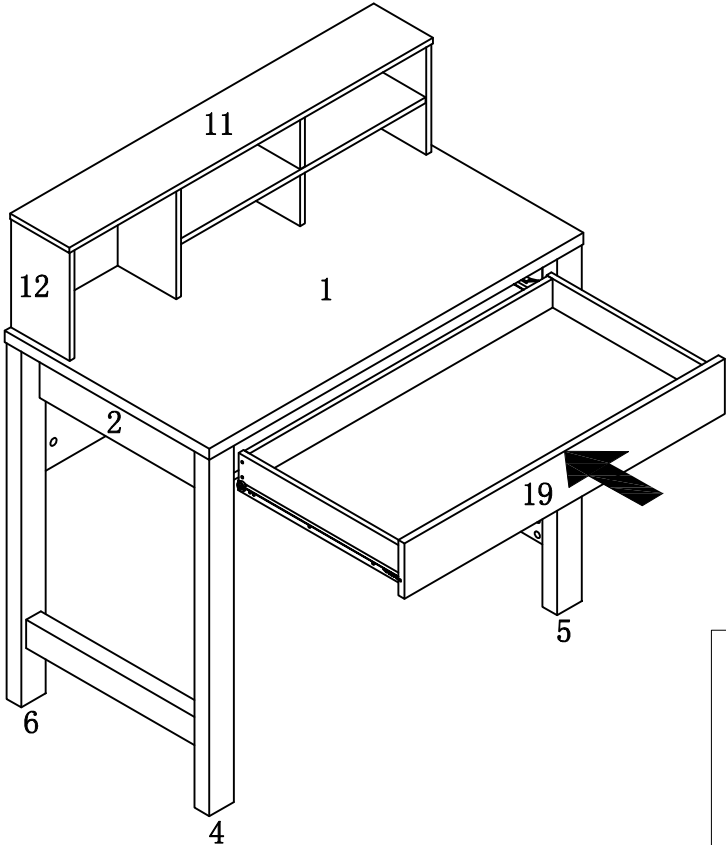


STEP13



ASSEMBLY INSTRUCTION

ITEM#: 151417/161474



STEP 14

STEP 15

