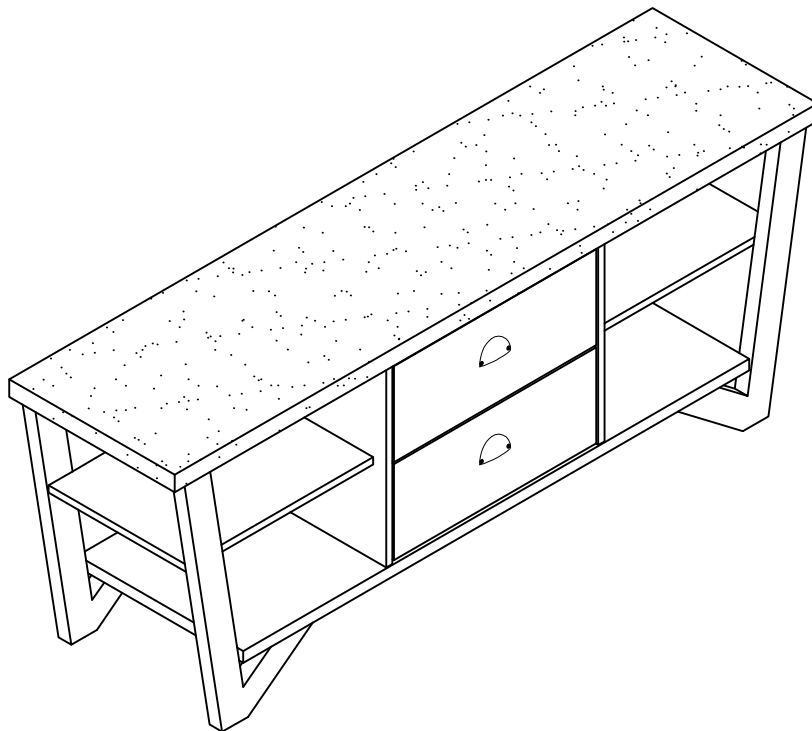


ASSEMBLY INSTRUCTION

ITEM#: 161626



ASSEMBLY INSTRUCTION

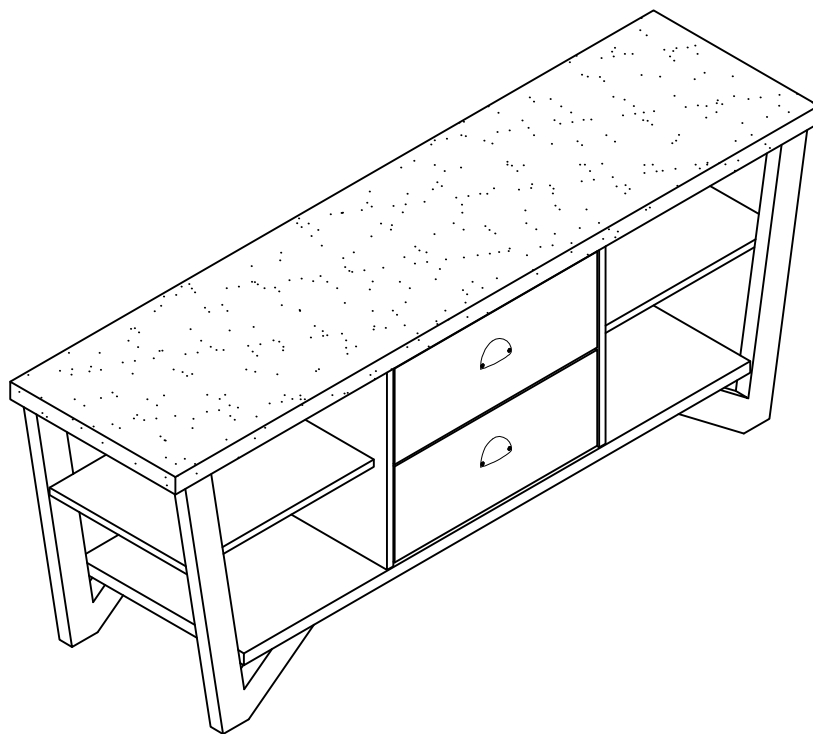
PLEASE READ BEFORE ASSEMBLING!

Tip #1: Make sure you've taken all the pieces and hardware out of its packaging before discarding the box.

Tip #2: Using page 2 and/or page 3 of instruction manual make sure all pieces and hardware are accounted for.

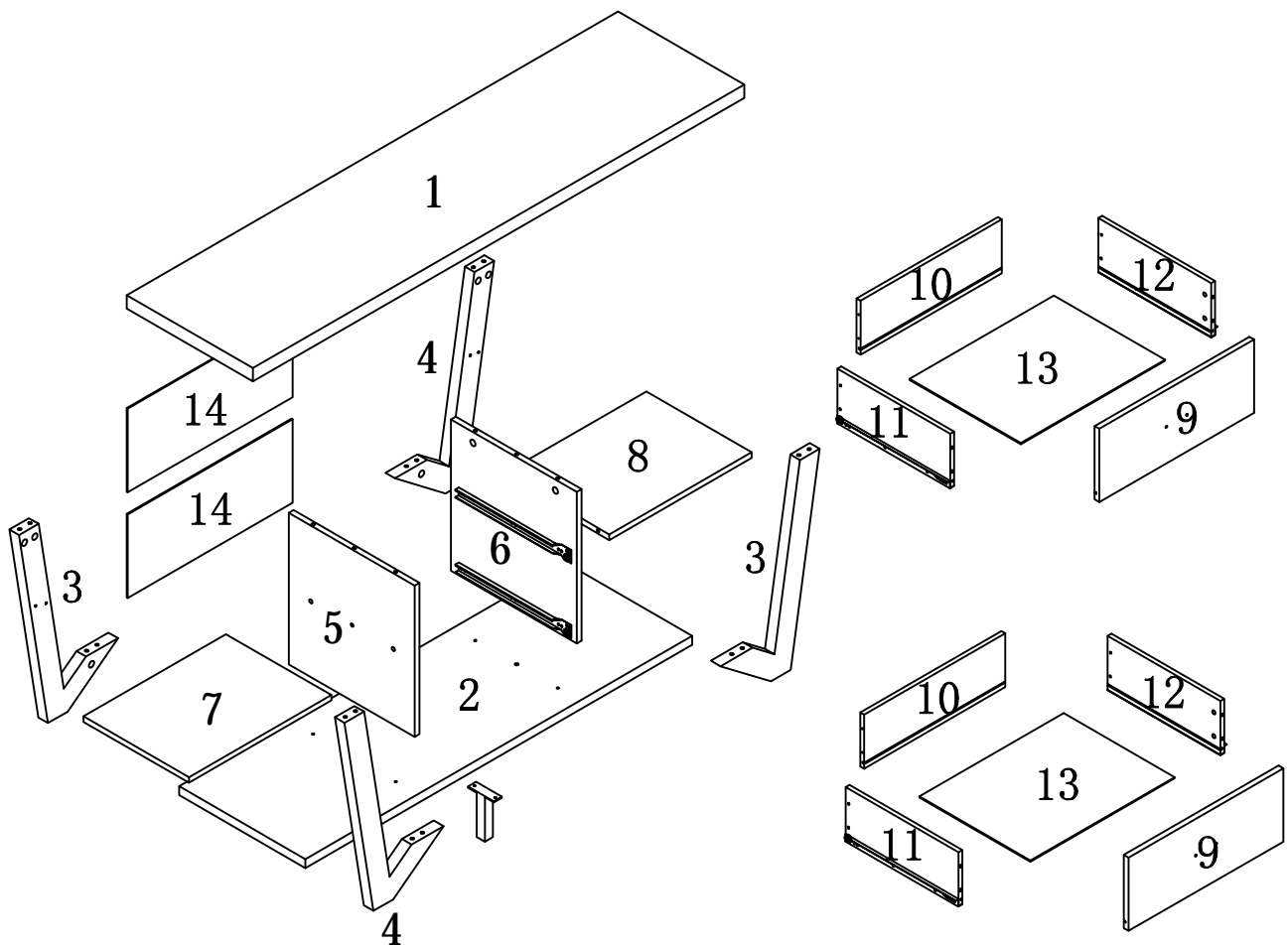
Tip #3: Read manual before assembling, it helps!

ITEM#: 161626



PARTS IDENTIFICATION





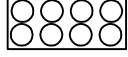



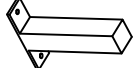


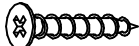
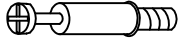

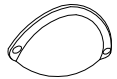


ITEM#: 161626



(1)	1pc	(8)	1pc
(2)	1pc	(9)	2pcs
(3)	2pcs	(10)	2pcs
(4)	2pcs	(11)	2pcs
(5)	1pc	(12)	2pcs
(6)	1pc	(13)	2pcs
(7)	1pc	(14)	2pcs

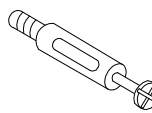

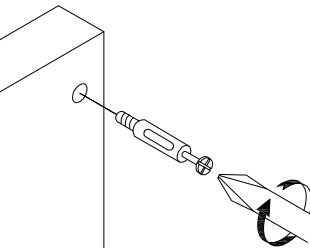
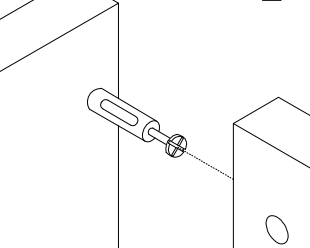
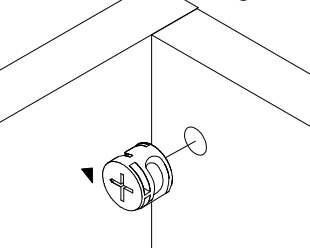
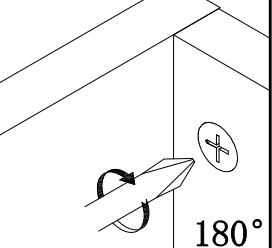
HARDWARE IDENTIFICATION

ITEM#: 161626

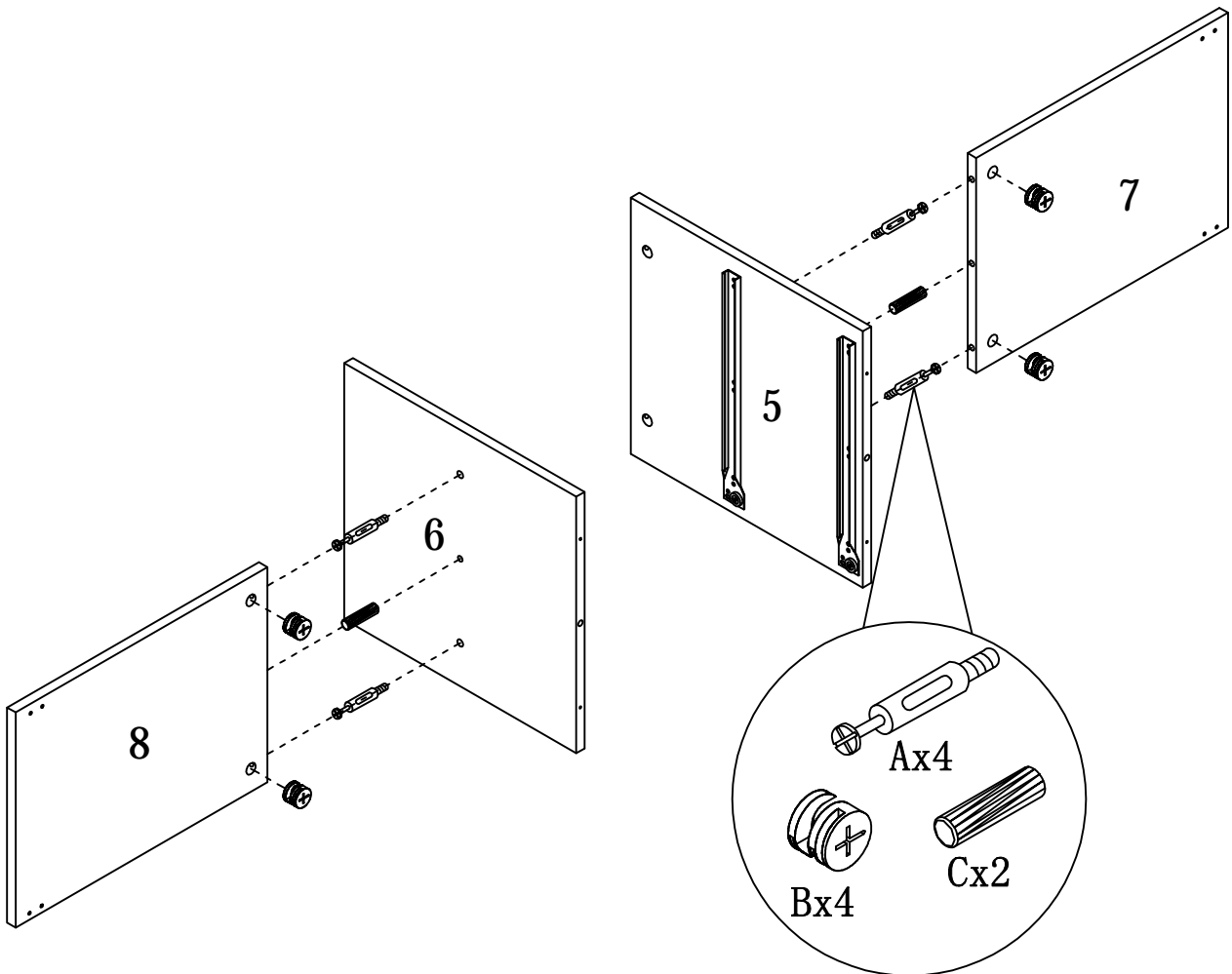
A		L29	20pcs
B		ϕ 15	20pcs
C		ϕ 8 x 25	10pcs
D		ϕ 4 x 40	4pcs
E		ϕ 20	12pcs
F		38 x 20x20	4pcs
G		ϕ 3.5 x 14	16pcs
H			18pcs
I		80 x 25x122	1pc
J		ϕ 4 x 16	2pcs
K		ϕ 16	4pcs
L		ϕ 4 x 30	8pcs
M		L20	16pcs
N		ϕ 12	16pcs
O		81 x 37x18	2pcs
P		ϕ 4 x 16 (cyan)	4pcs
Q		Glue: For securing please apply to wood dowel first before inserting into panel	1pc

ASSEMBLY INSTRUCTION

ITEM#: 161626

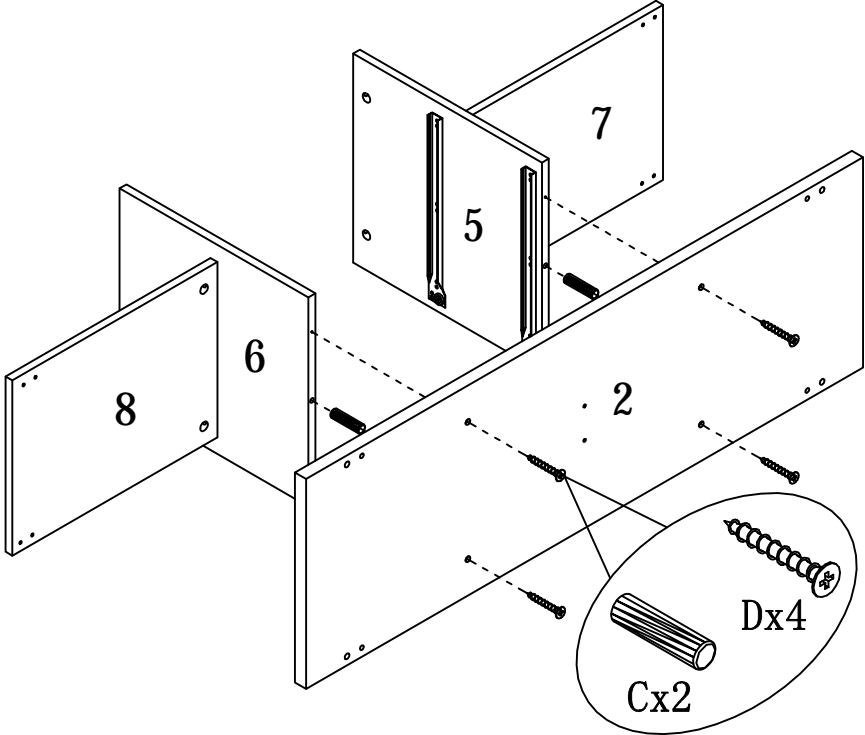
<p>HOW TO</p>  <p>Cam Bolt</p>  <p>Cam Lock</p>	<p>1</p>  <p>1. Screw Cam Bolt into panel.</p>	<p>2</p>  <p>2. Insert Cam Bolt into bolt hole of joining panel.</p>	<p>3</p>  <p>3. Insert Cam Lock. arrow facing bolt.</p>	<p>4</p>  <p>4. Gently turn Cam Lock clockwise to lock position.</p> <p>180°</p>
--	---	---	---	---

STEP1



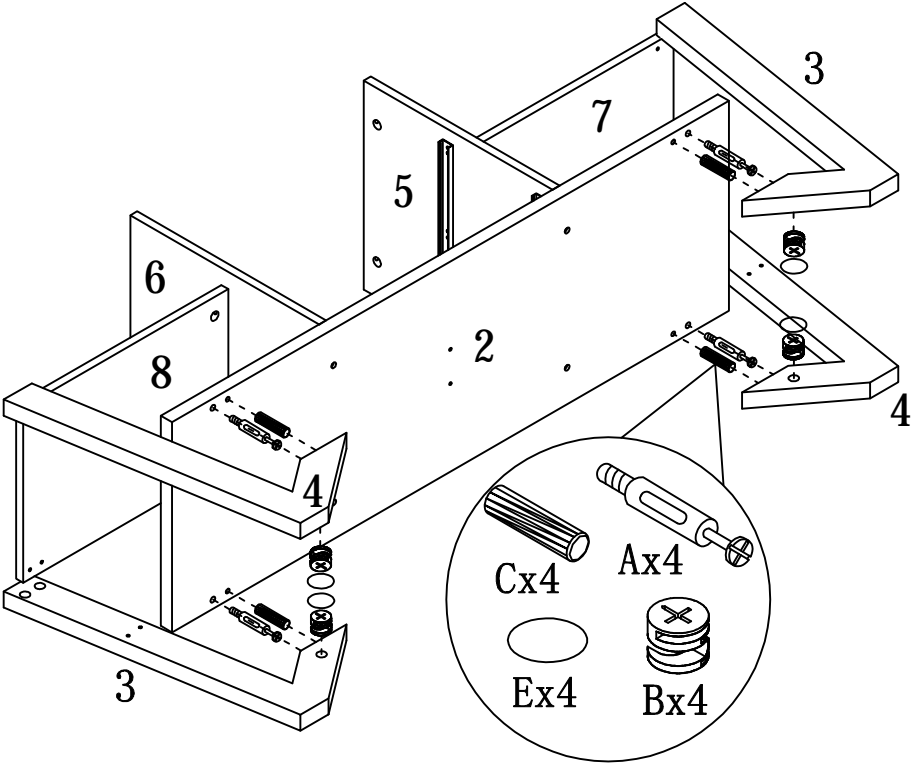
ASSEMBLY INSTRUCTION

ITEM#: 161626



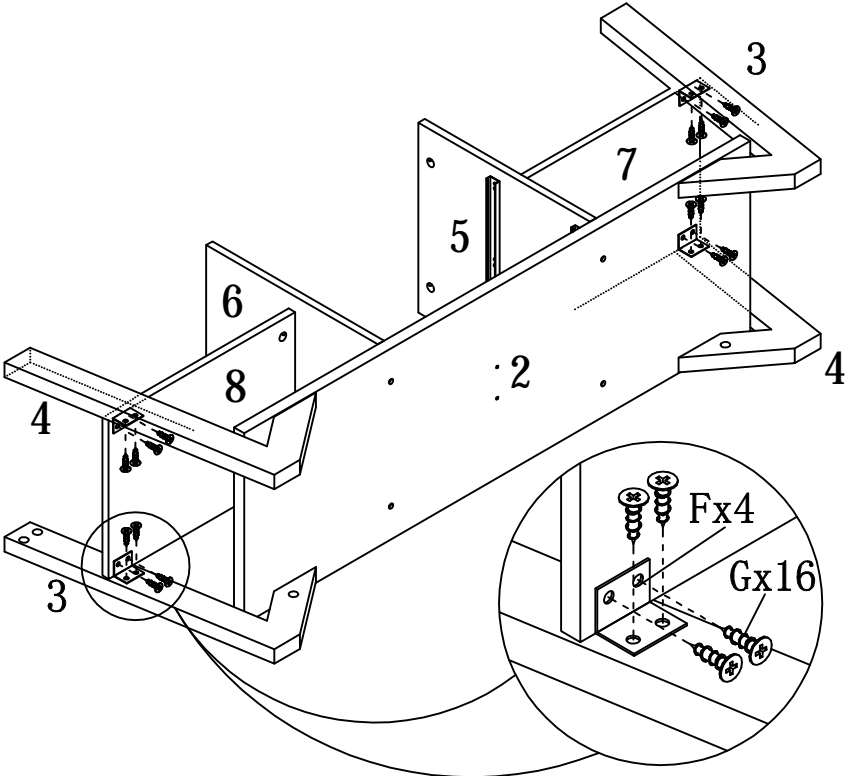
STEP2

STEP3



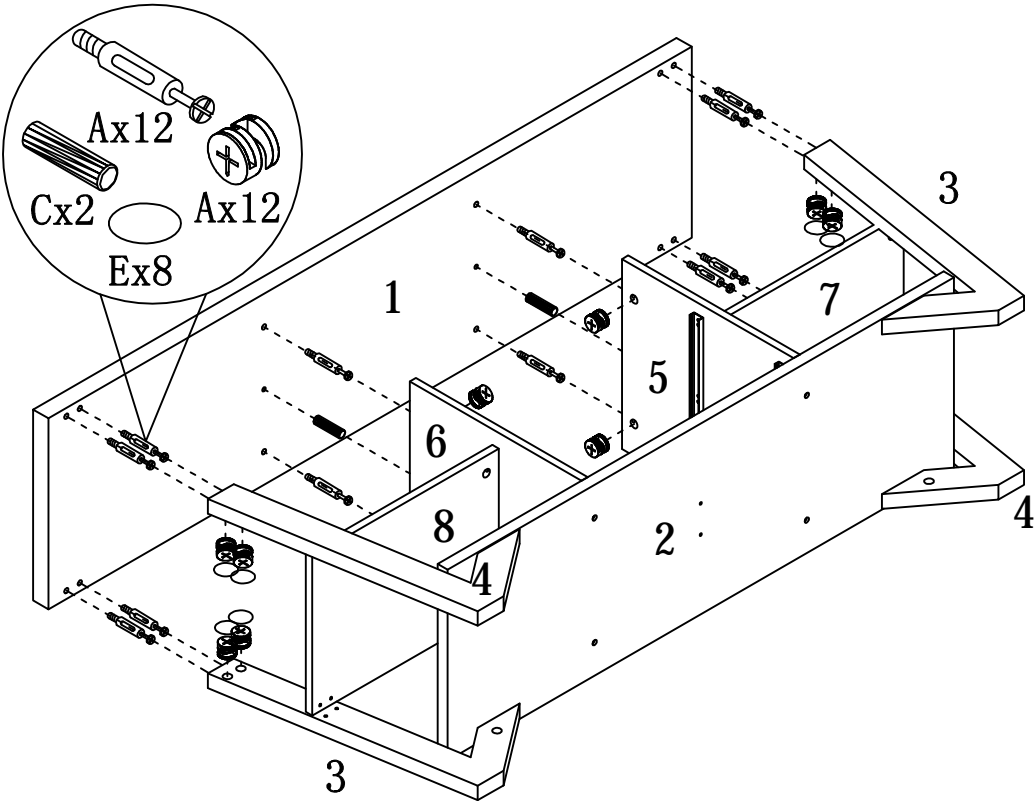
ASSEMBLY INSTRUCTION

ITEM#: 161626



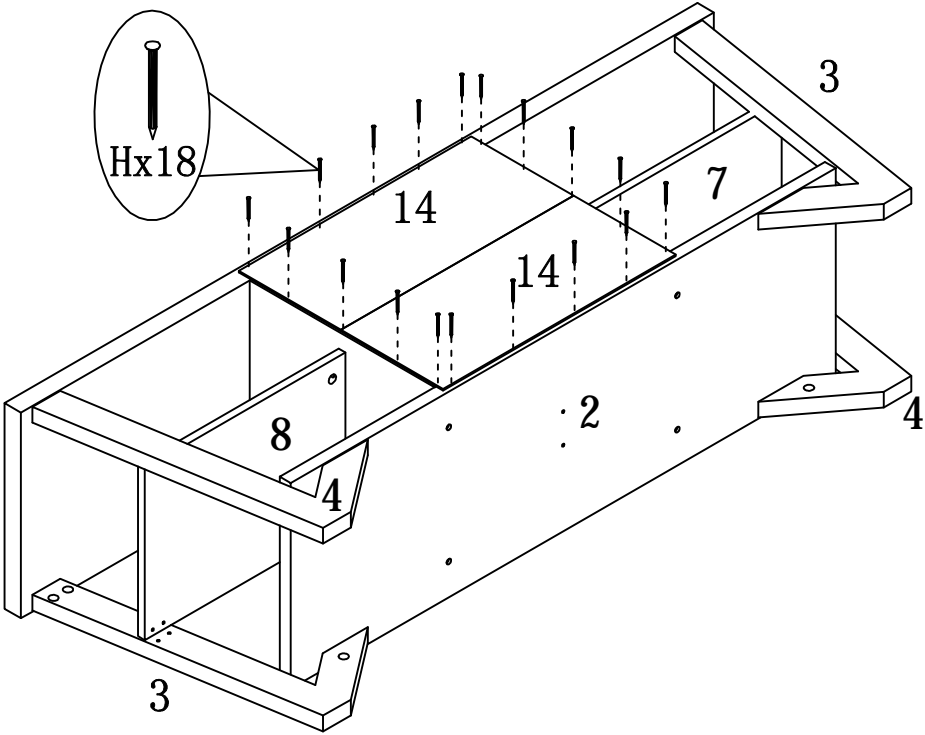
STEP4

STEP5



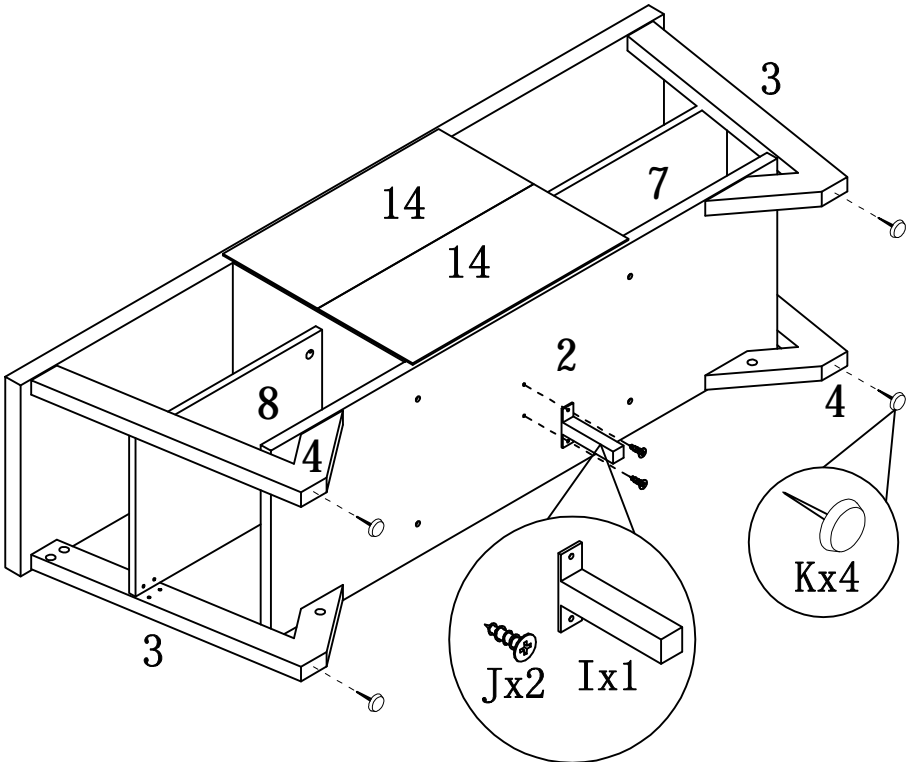
ASSEMBLY INSTRUCTION

ITEM#: 161626



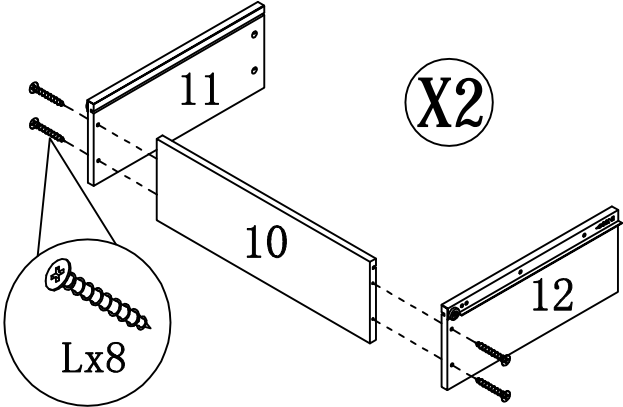
STEP6

STEP7



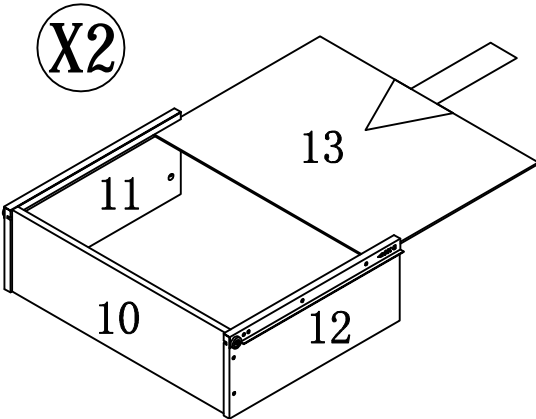
ASSEMBLY INSTRUCTION

ITEM#: 161626

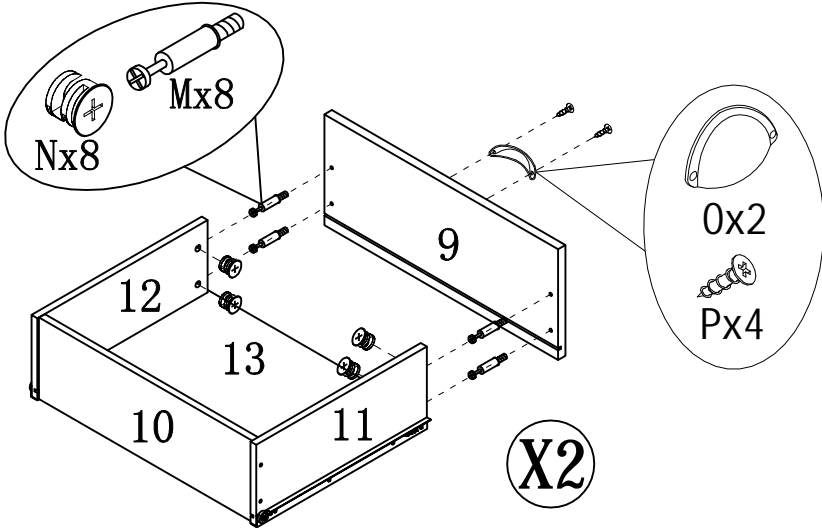


STEP8

STEP9

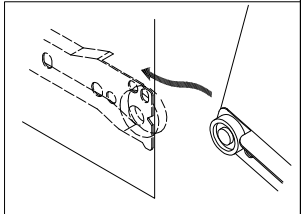
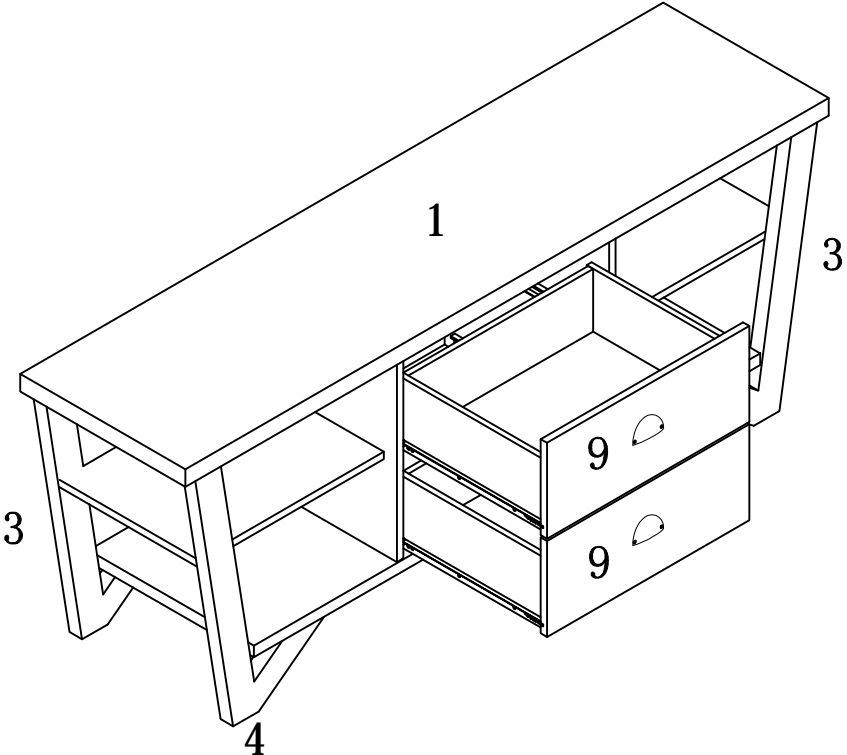


STEP10



ASSEMBLY INSTRUCTION

ITEM#: 161626



STEP 11

STEP 12

