

ASSEMBLY INSTRUCTION

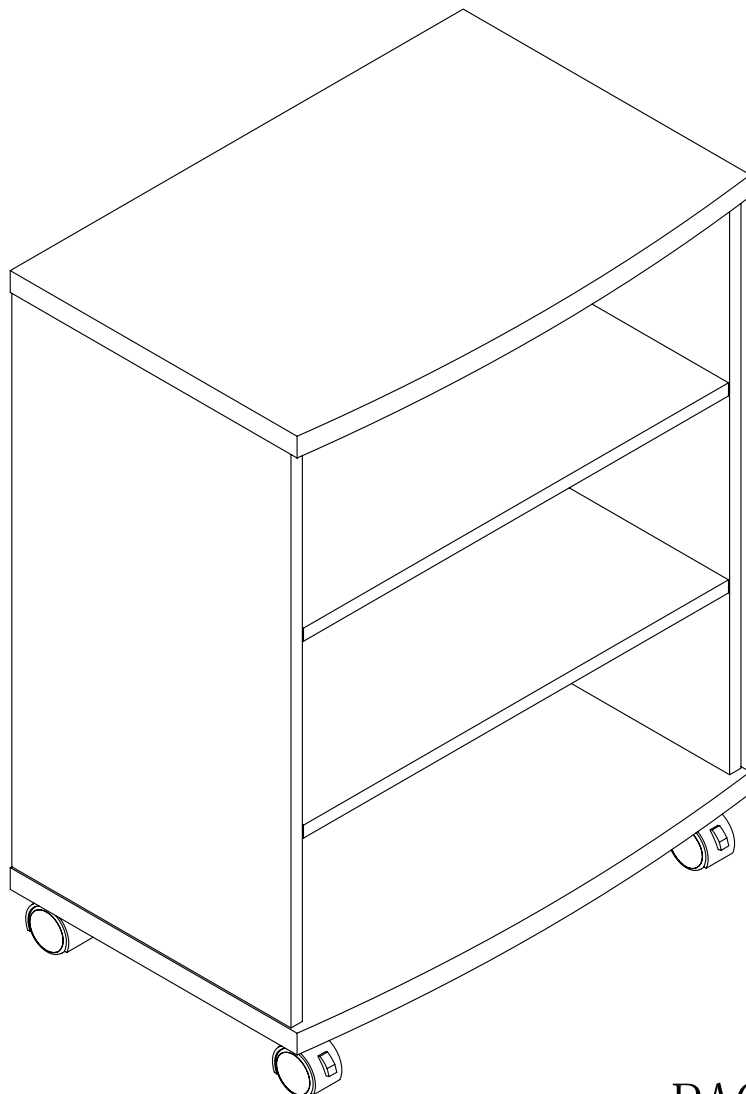
PLEASE READ BEFORE ASSEMBLING!

Tip #1: Make sure you've taken all the pieces and hardware out of its packaging before discarding the box.

Tip #2: Using page 2 and/or page 3 of instruction manual make sure all pieces and hardware are accounted for.

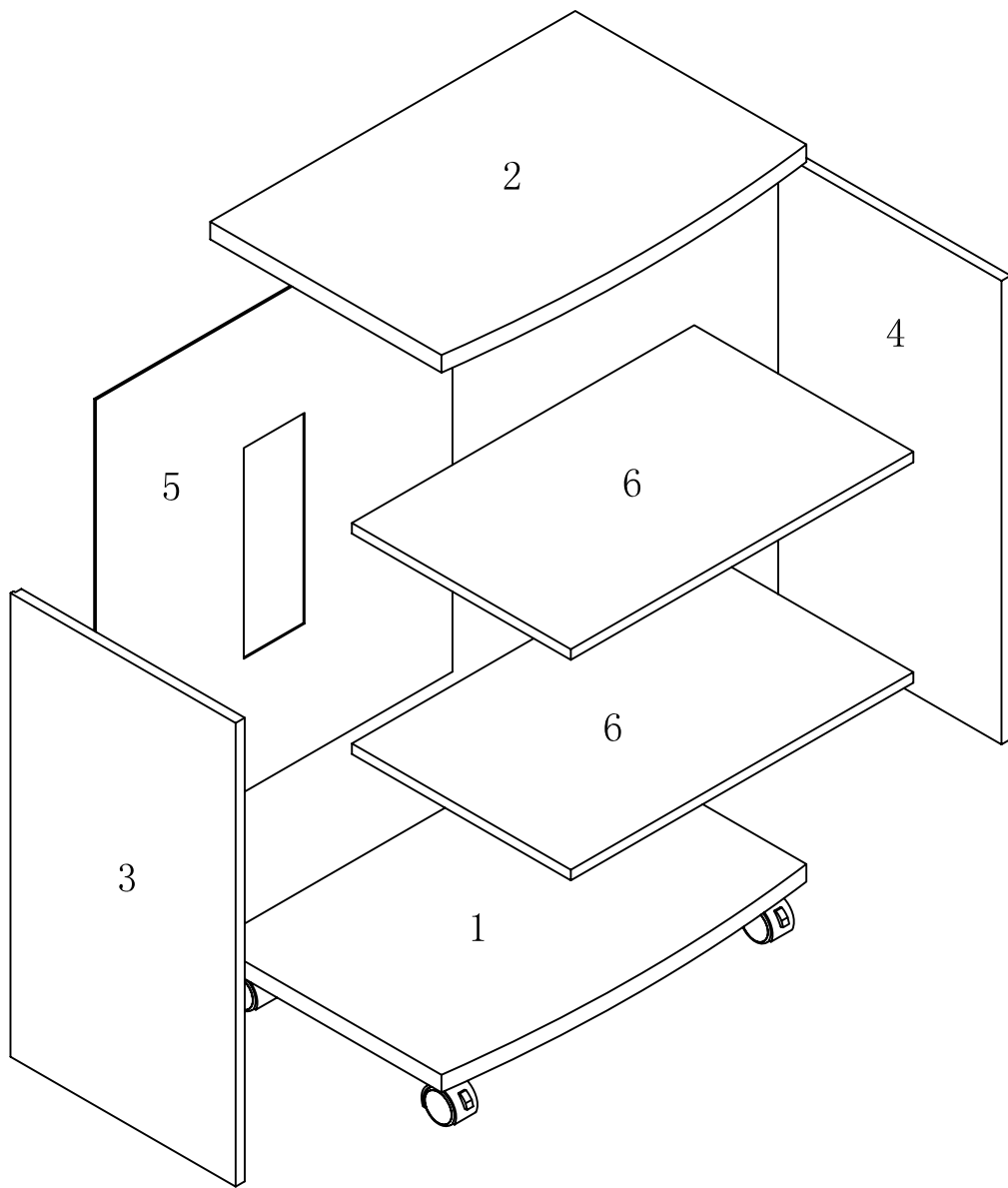
Tip #3: Read manual before assembling, it helps!

ITEM#: TV-25、26025



PARTS IDENTIFICATION

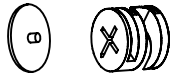

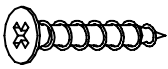




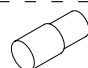
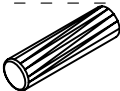

ITEM#:TV-25、26025



(1)	1pc	(4)	1pc
(2)	1pc	(5)	1pc
(3)	1pc	(6)	2pcs

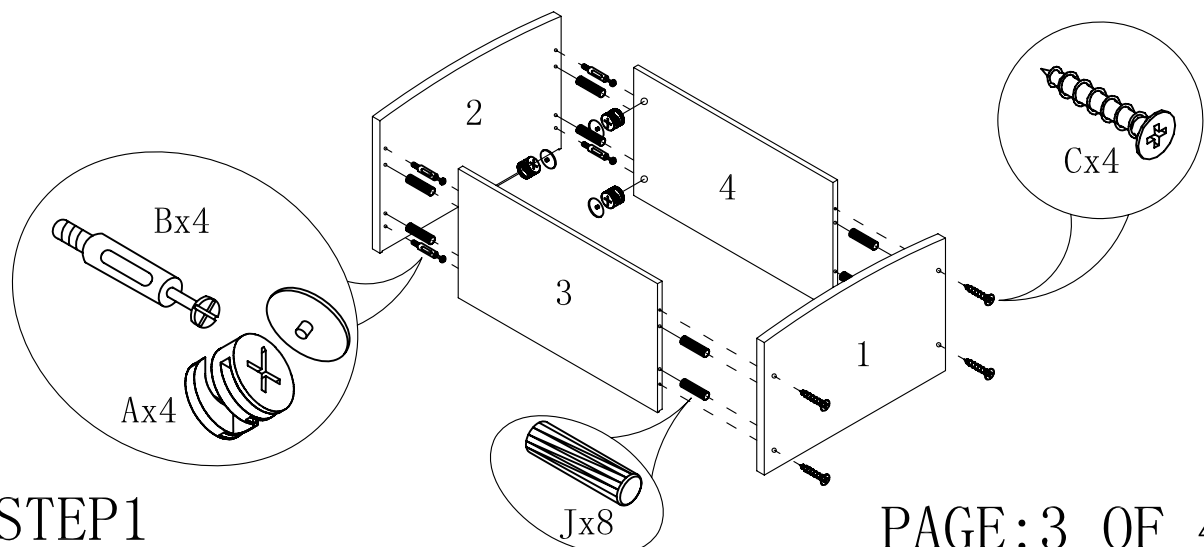
HARDWARE IDENTIFICATION

ITEM#:TV-25、26025

A		$\phi 15$	4pcs
B		L29	4pcs
C		$\phi 5 \times 40$	4pcs
D		$\phi 4 \times 16$	16pcs
E			2pcs
F			2pcs
G			30pcs
H		$\phi 5$	8pcs
J		$\phi 8 \times 30$	8pcs
K	 It's used for stick the stopper to the connecting hole firmly		1pc

ASSEMBLY INSTRUCTION

ITEM#:TV-25、26025

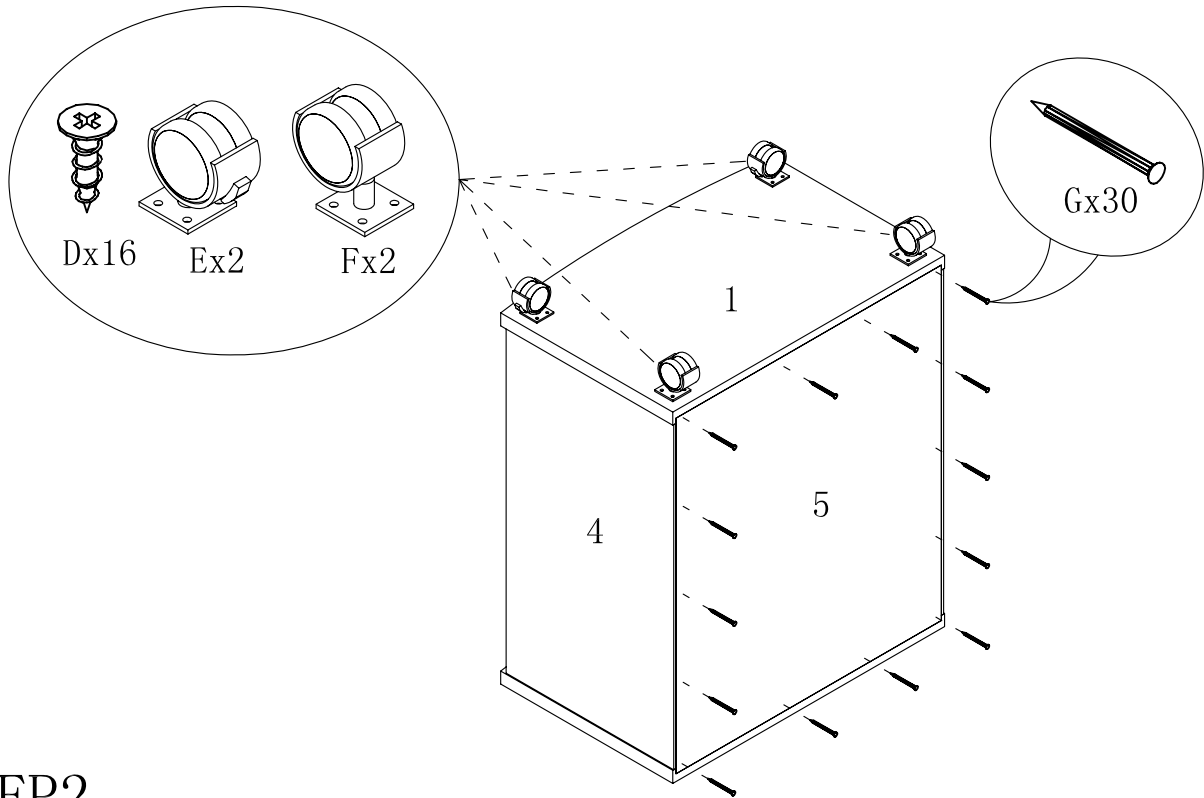


STEP1

PAGE:3 OF 4

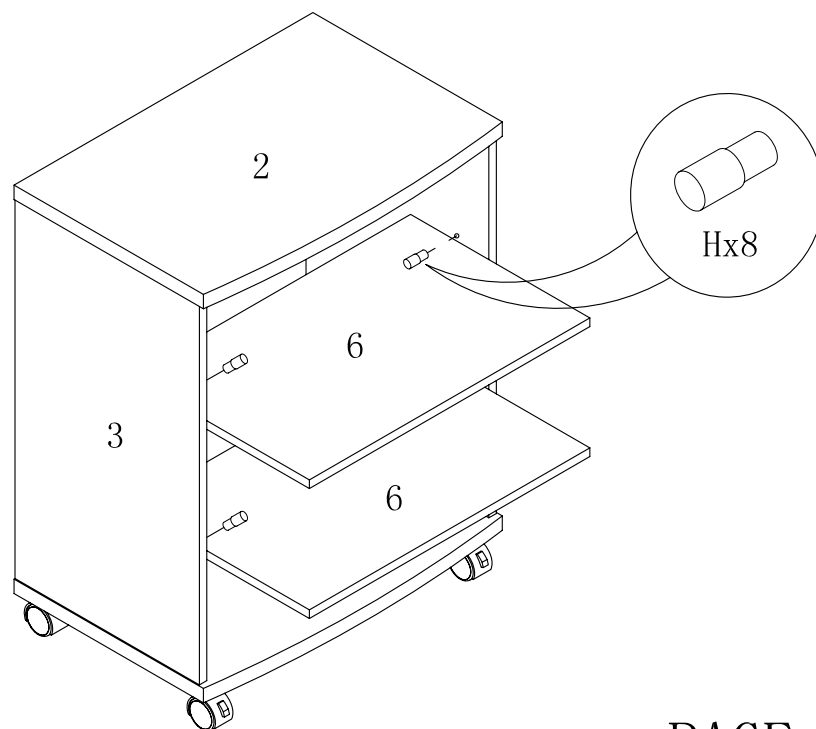
ASSEMBLY INSTRUCTION

ITEM#:TV-25、26025



STEP2

STEP3



PAGE:4 OF 4