

# ASSEMBLY INSTRUCTION

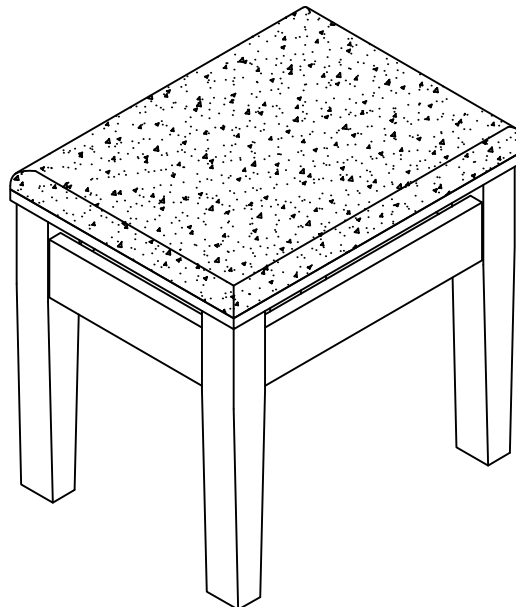
## **PLEASE READ BEFORE ASSEMBLING!**

Tip #1: Make sure you've taken all the pieces and hardware out of its packaging before discarding the box.

Tip #2: Using page 2 and/or page 3 of instruction manual make sure all pieces and hardware are accounted for.

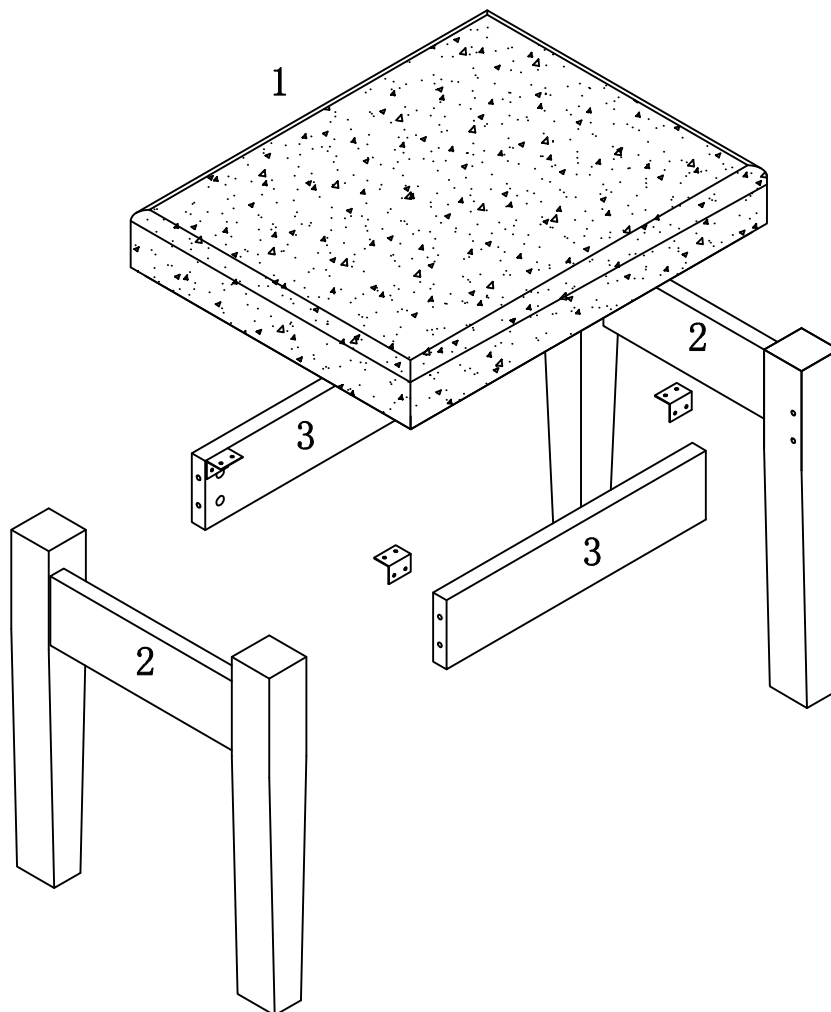
Tip #3: Read manual before assembling, it helps!

ITEM#:K16030 K16032



# PARTS IDENTIFICATION

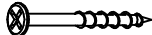

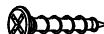
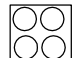


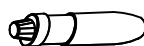
ITEM#:K16030 K16032



- |     |      |
|-----|------|
| (1) | 1pc  |
| (2) | 2pcs |
| (3) | 2pcs |
| (4) | 2pcs |

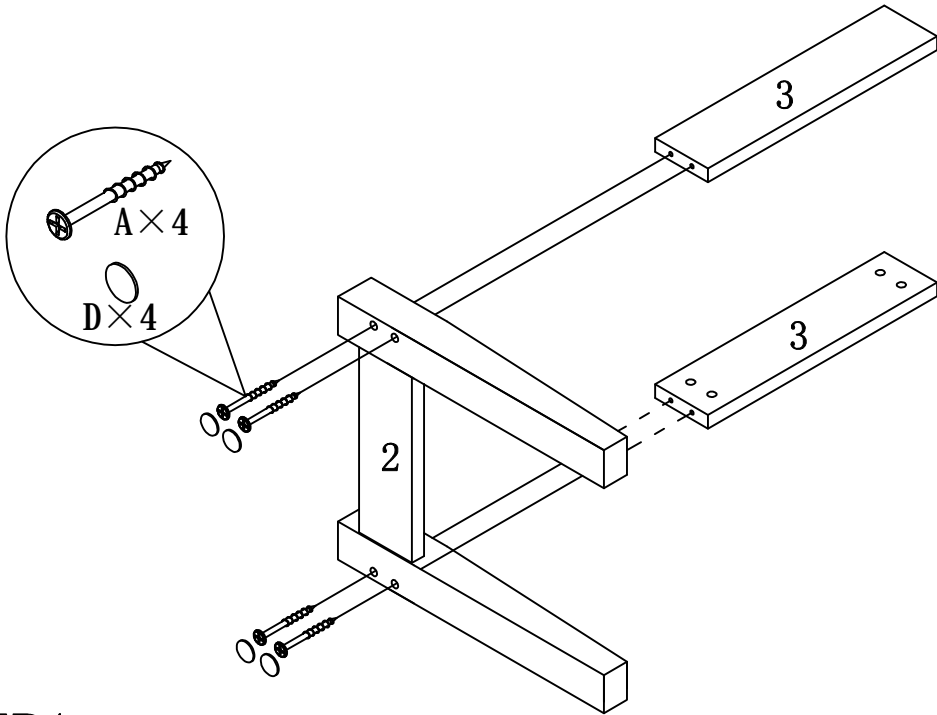
# HARDWARE IDENTIFICATION

ITEM#:K16030 K16032

A		$\Phi$ 4. 2x60	8pcs
B		20x20x2	4pcs
C		$\Phi$ 4x12	8pcs
D		$\Phi$ 13	8pcs
E		$\Phi$ 16	4pcs
F		$\Phi$ 8x25	4pcs
G		Glue: For securing please apply to wood dowel first before inserting into panel	1pc

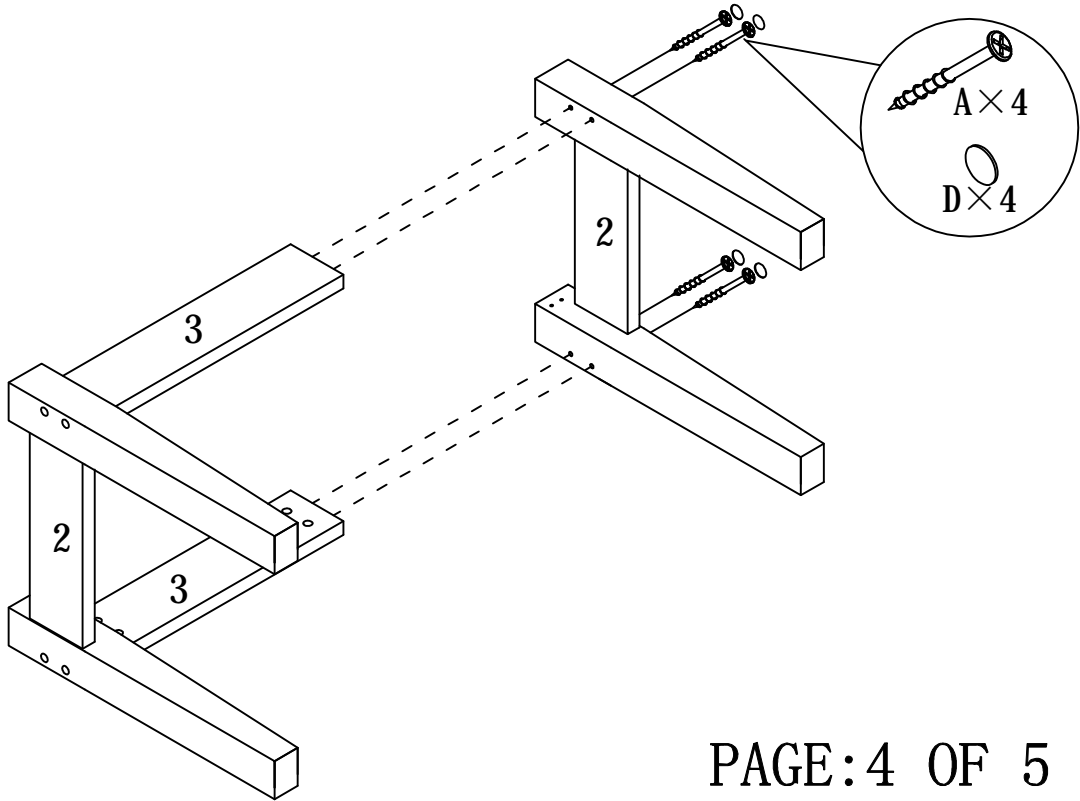
# ASSEMBLY INSTRUCTION

ITEM#:K16030 K16032



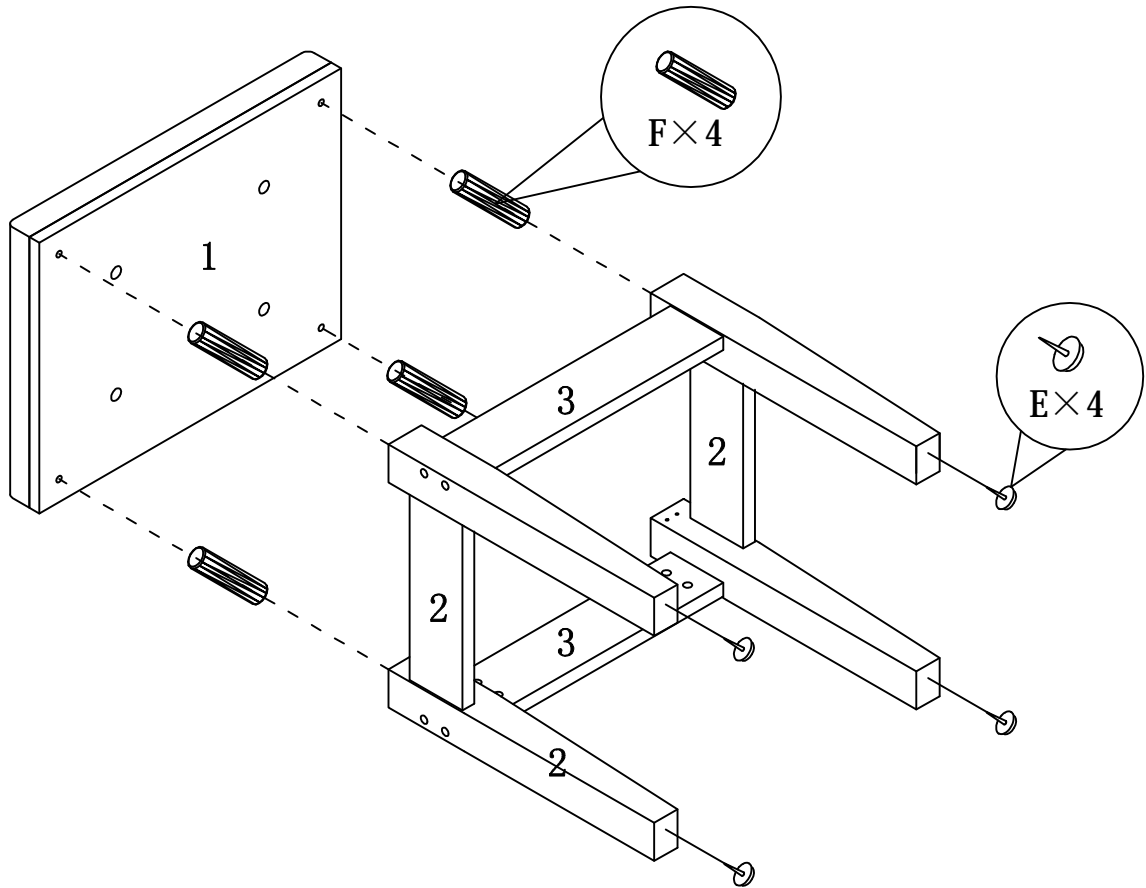
STEP1

STEP2



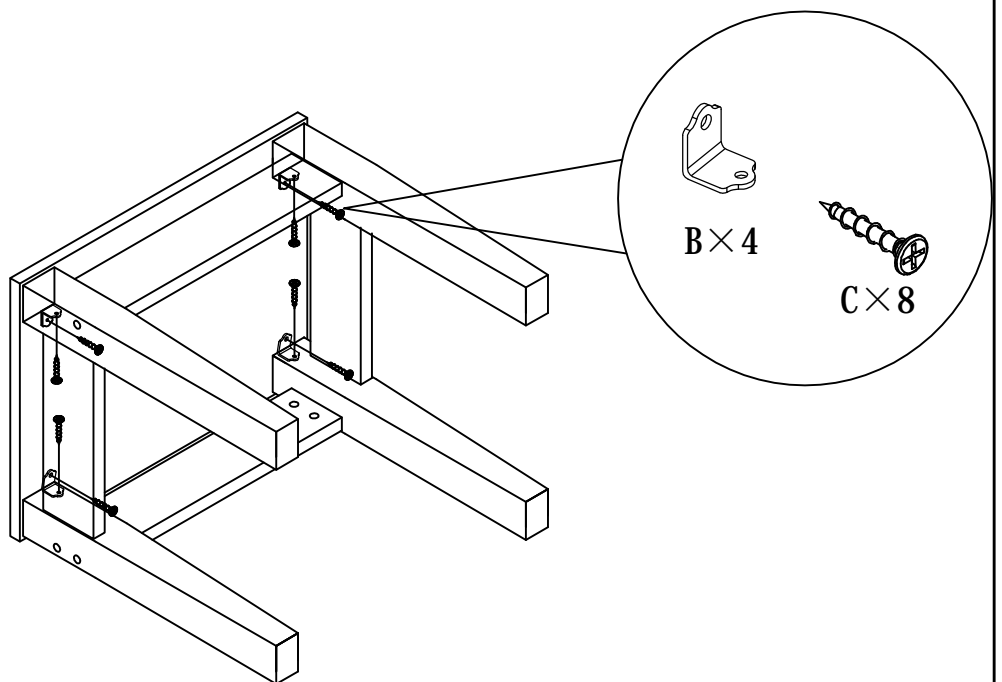
# ASSEMBLY INSTRUCTION

ITEM#:K16030 K16032



STEP3

STEP4



PAGE:5 OF 5