

ASSEMBLY INSTRUCTION

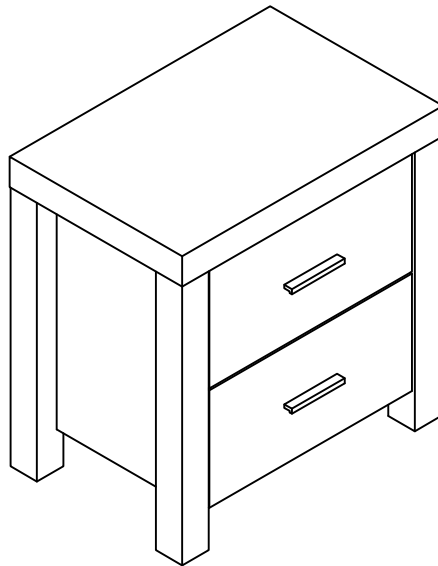
PLEASE READ BEFORE ASSEMBLING!

Tip #1: Make sure you've taken all the pieces and hardware out of its packaging before discarding the box.

Tip #2: Using page 2 and/or page 3 of instruction manual make sure all pieces and hardware are accounted for.

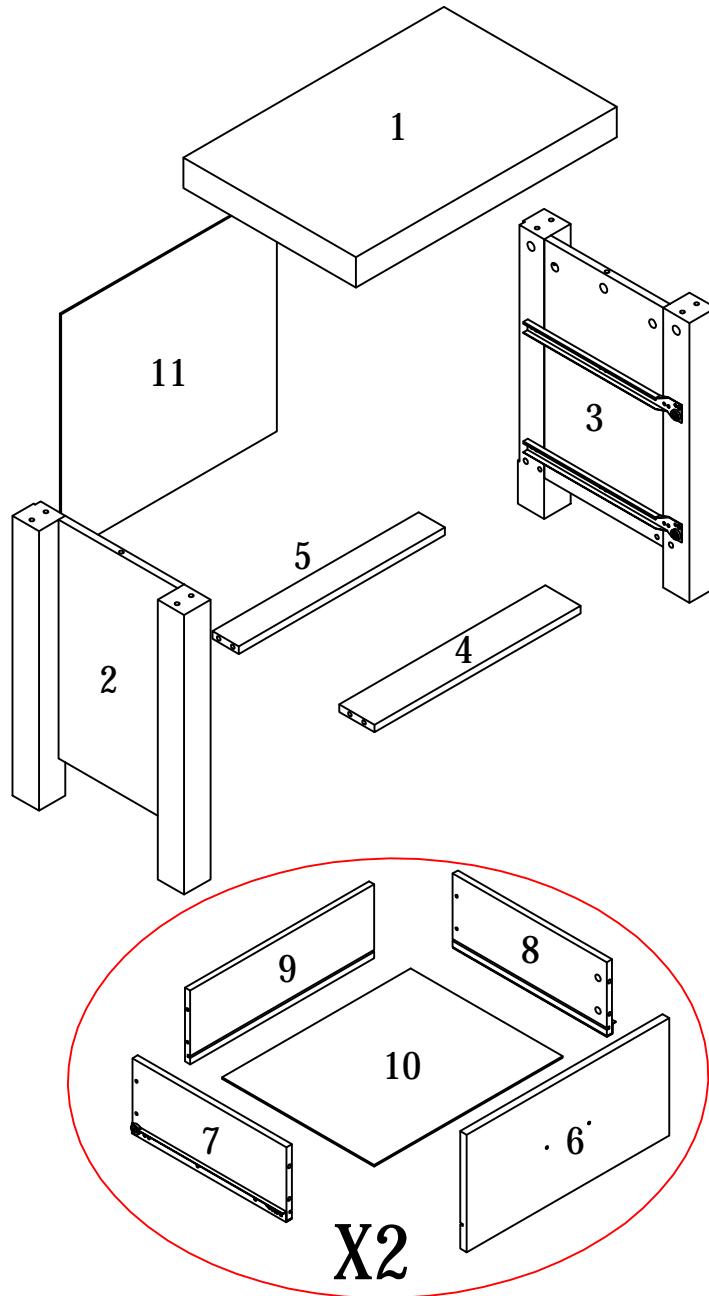
Tip #3: Read manual before assembling, it helps!

ITEM#: MB8903



PARTS IDENTIFICATION

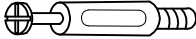





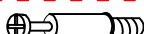



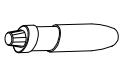
ITEM#: MB8903



(1)	1pc	(6)	2pcs	(11)	1pc
(2)	1pc	(7)	2pcs		
(3)	1pc	(8)	2pcs		
(4)	1pc	(9)	2pcs		
(5)	1pc	(10)	2pcs		

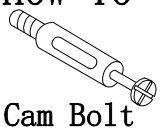

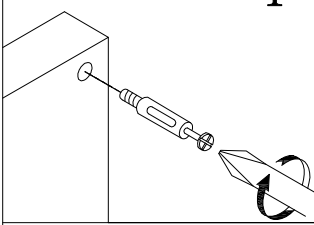
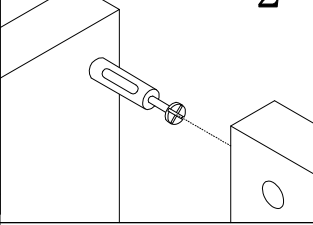
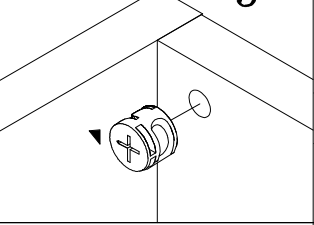
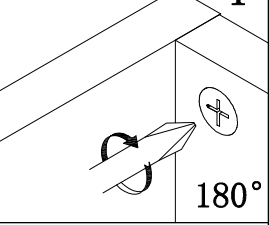
HARDWARE IDENTIFICATION

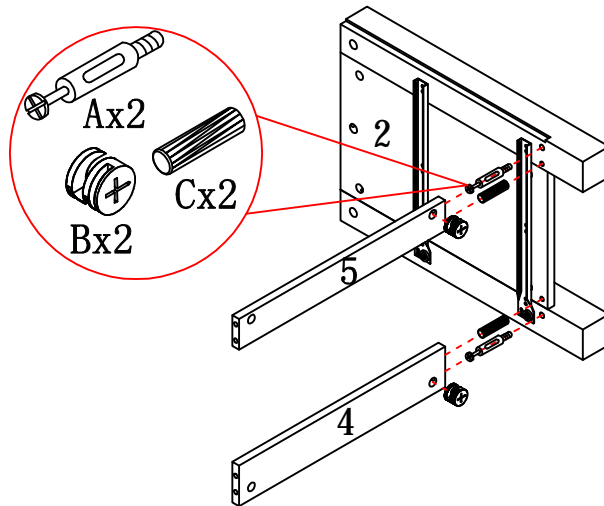
ITEM#: MB8903

A		L29	10pcs
B		φ 15	10pcs
C		φ 8 x 25	8pcs
D			20pcs
E		φ 16	4pcs
F		∅4 x 30	8pcs
G		L20	8pcs
H		φ 12	8pcs
I		96#	2pcs
J		∅4 x 22	4pcs
K		Glue: For securing please apply to wood dowel first before inserting into panel	1pc

ASSEMBLY INSTRUCTION

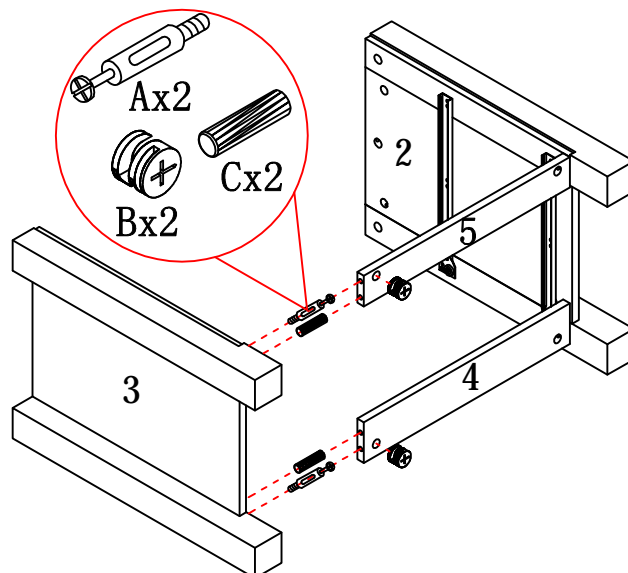
ITEM#:MB8903

HOW TO  Cam Bolt  Cam Lock	1 	2 	3 	4  180°
	1. Screw Cam Bolt into panel.	2. Insert Cam Bolt into bolt hole of joining panel.	3. Insert Cam Lock. arrow facing bolt.	4. Gently turn Cam Lock clockwise to lock position.



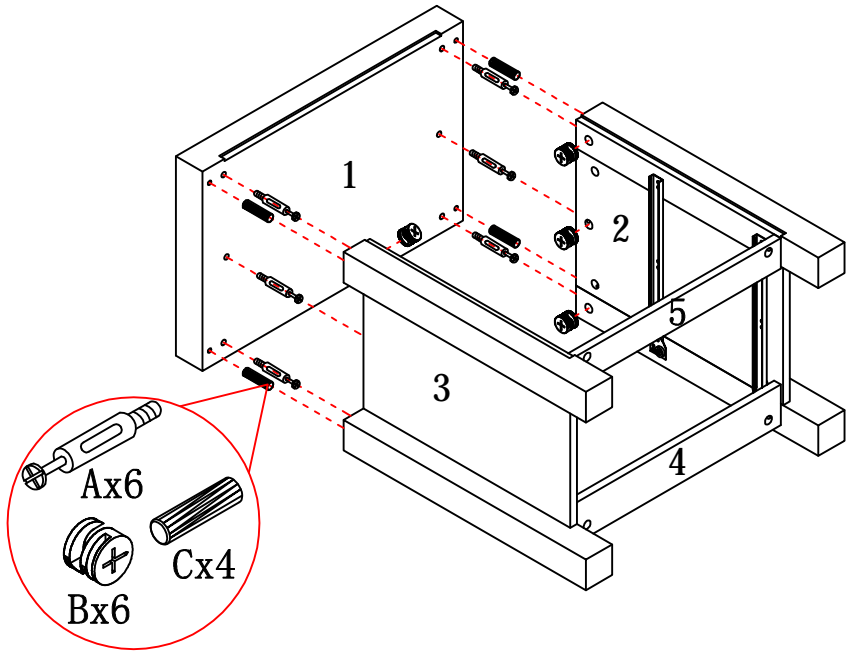
STEP1

STEP2



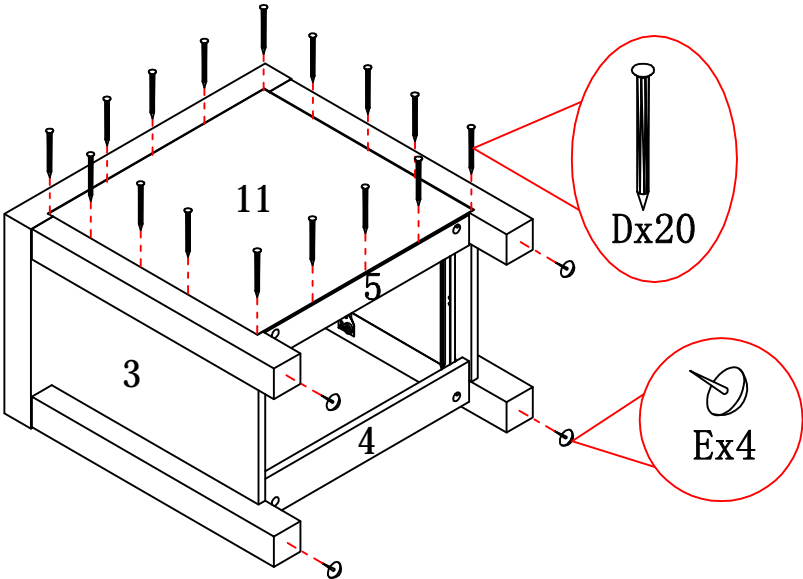
ASSEMBLY INSTRUCTION

ITEM#:MB8903



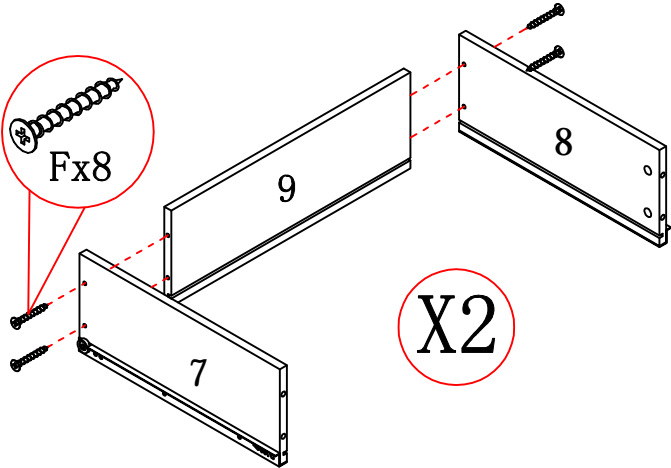
STEP3

STEP4



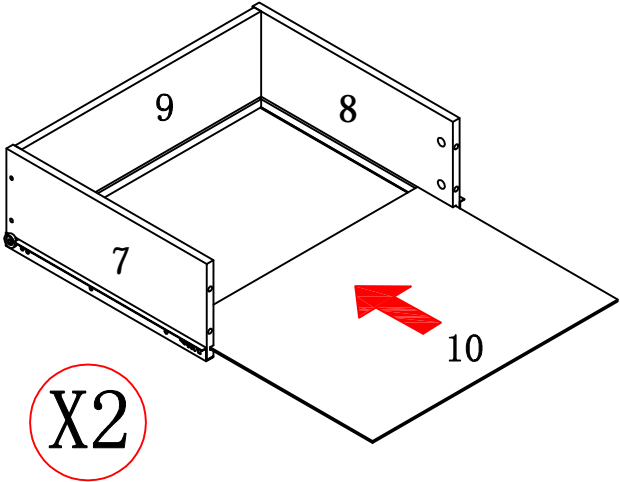
ASSEMBLY INSTRUCTION

ITEM#:MB8903



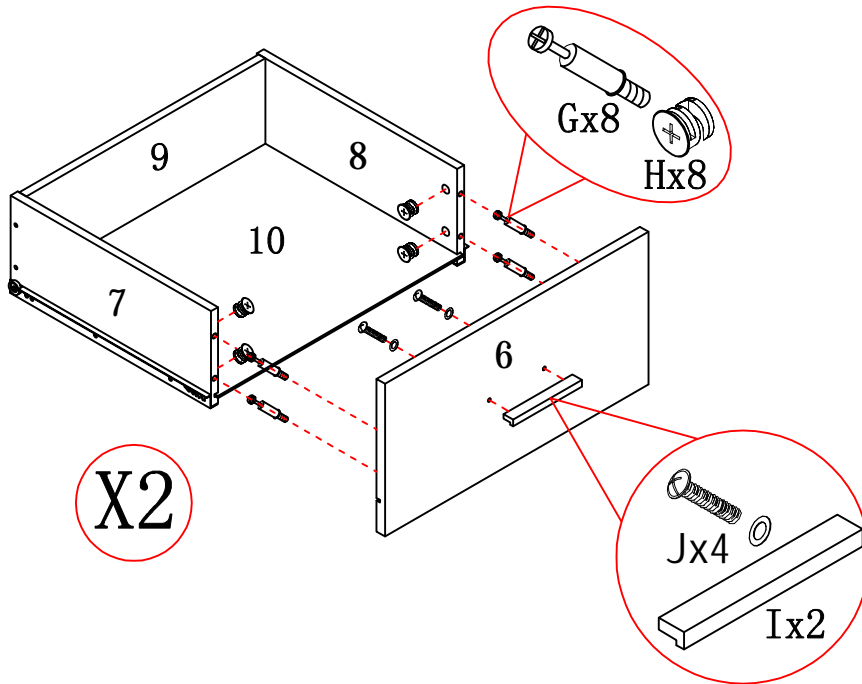
STEP5

STEP6



ASSEMBLY INSTRUCTION

ITEM#: MB8903



STEP 7

STEP 8

