

ASSEMBLY INSTRUCTION

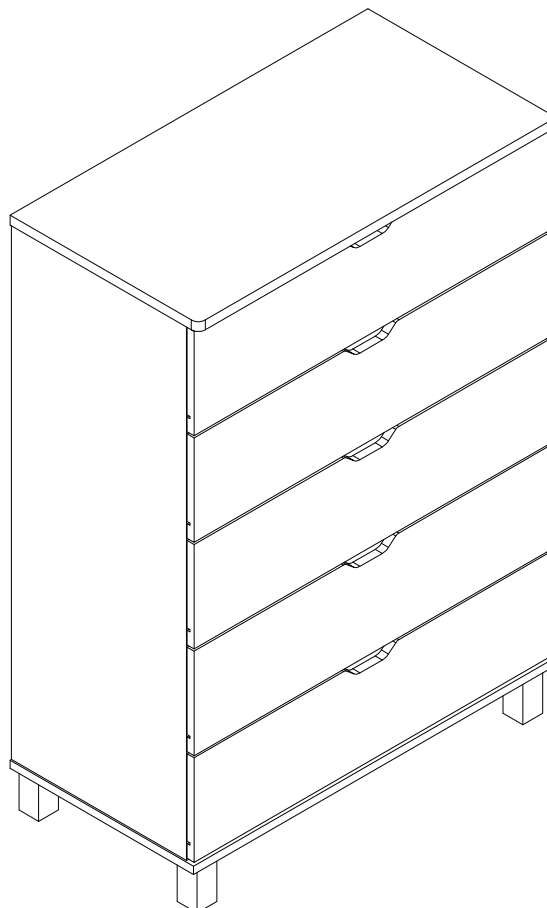
PLEASE READ BEFORE ASSEMBLING!

Tip #1: Make sure you've taken all the pieces and hardware out of its packaging before discarding the box. Assembly on top of flattened box/blanket is recommended.

Tip #2: Using page 2 and/or page 3 of instruction manual make sure all pieces and hardware are accounted for.

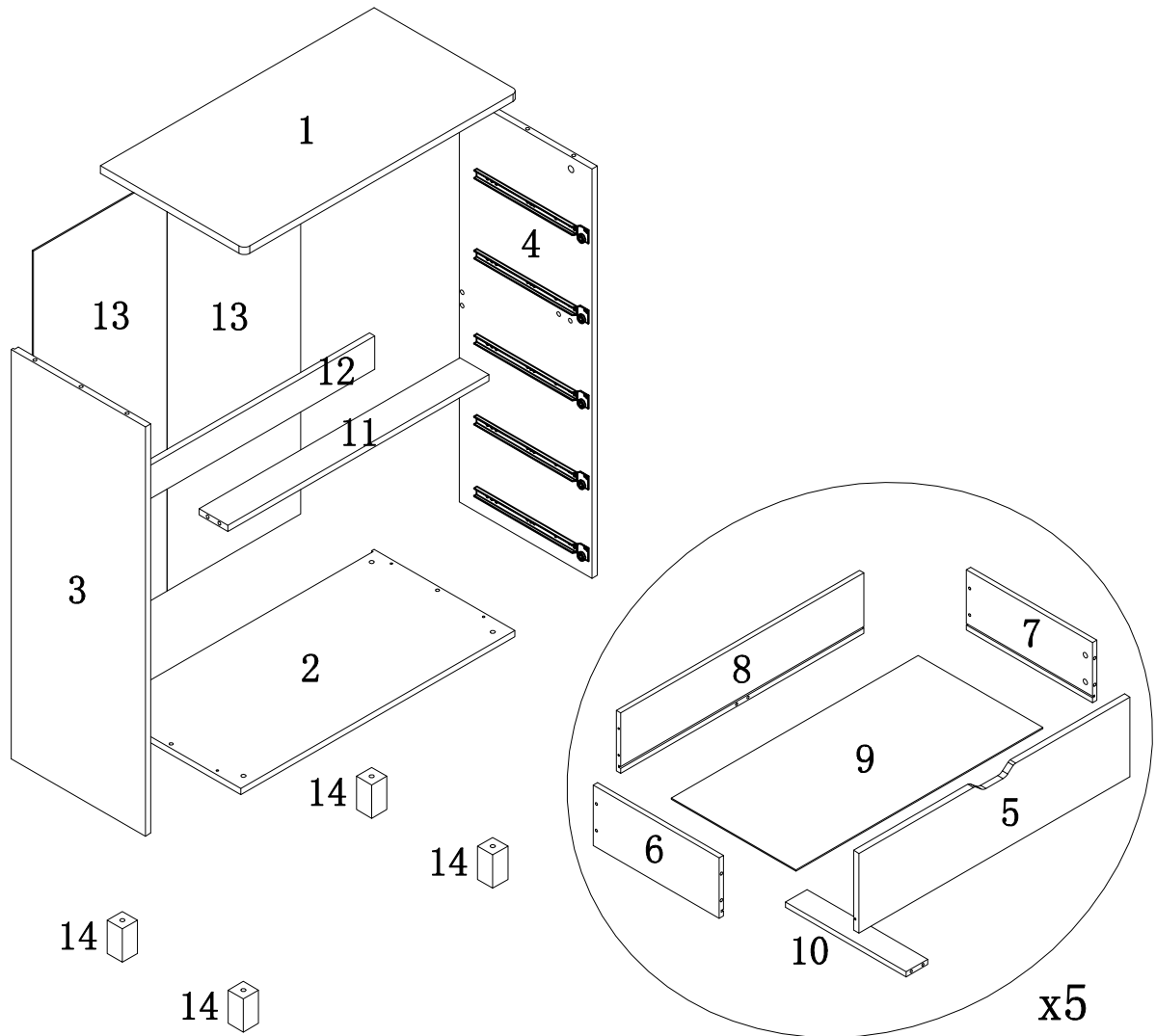
Tip #3: Note position of all holes on each panel during assembly.

ITEM#: Y1106



PARTS IDENTIFICATION

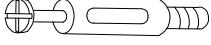

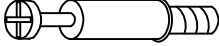



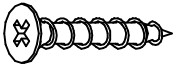





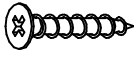
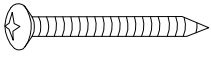
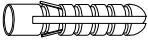
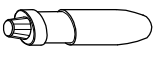
ITEM#: Y1106



(1)	1pc	(8)	5pcs
(2)	1pc	(9)	5pcs
(3)	1pc	(10)	5pcs
(4)	1pc	(11)	1pc
(5)	5pcs	(12)	1pc
(6)	5pcs	(13)	2pcs
(7)	5pcs	(14)	4pcs

HARDWARE IDENTIFICATION

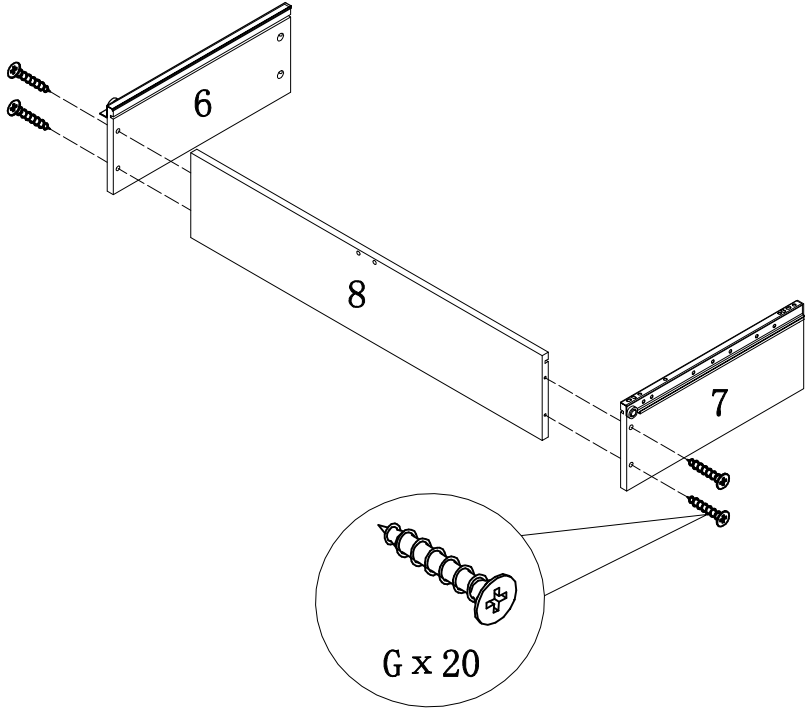
ITEM#: Y1106

A		L29	12pcs
B		∅15	12pcs
C		L20	20pcs
D		∅12	20pcs
E		∅8 × 25	4pcs
F		∅6 × 30	10pcs
G		∅4 x 30	34pcs
H		M8 x 35	4pcs
I		M5	1pc
J		Z1016	35pcs
K		∅16	4pcs
L			1pc
M		∅4 x 25	1pc
N		∅5 x 40	1pc
O		∅8 x 40	1pc
P		Glue: For securing please apply to wood dowel first before inserting into panel	1pc

ASSEMBLY INSTRUCTION

ITEM#: Y1106

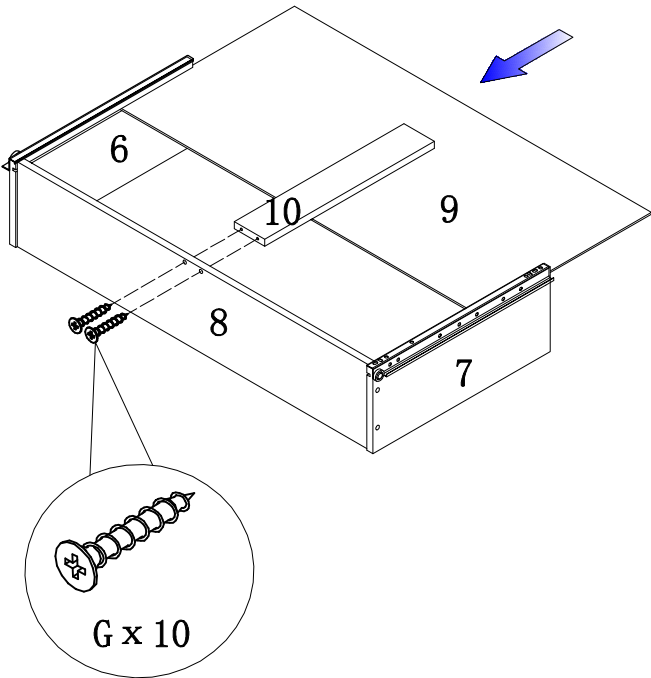
x5



STEP 1

STEP 2

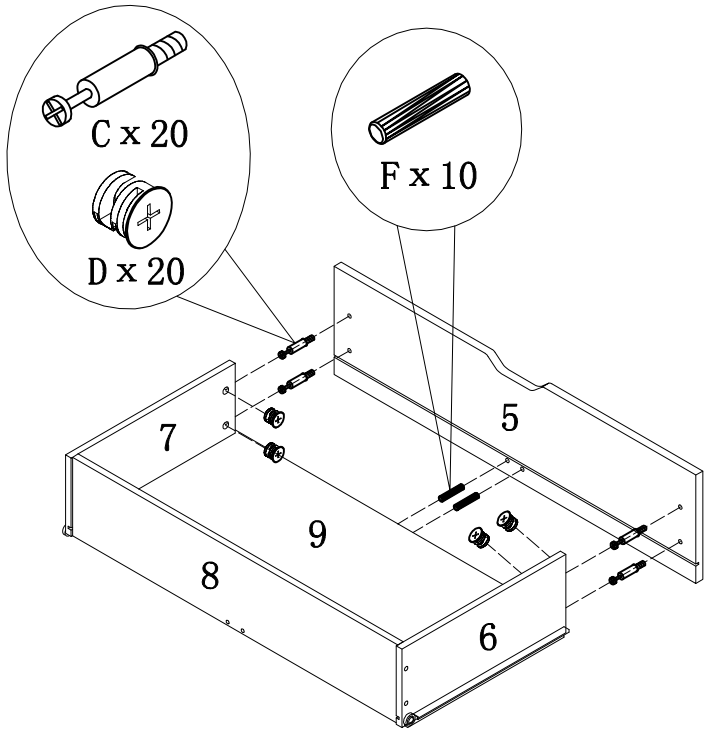
x5



ASSEMBLY INSTRUCTION

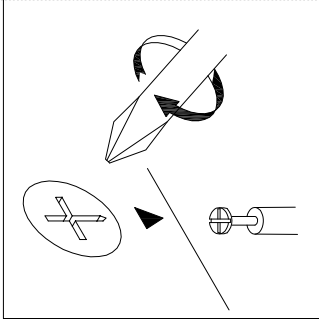
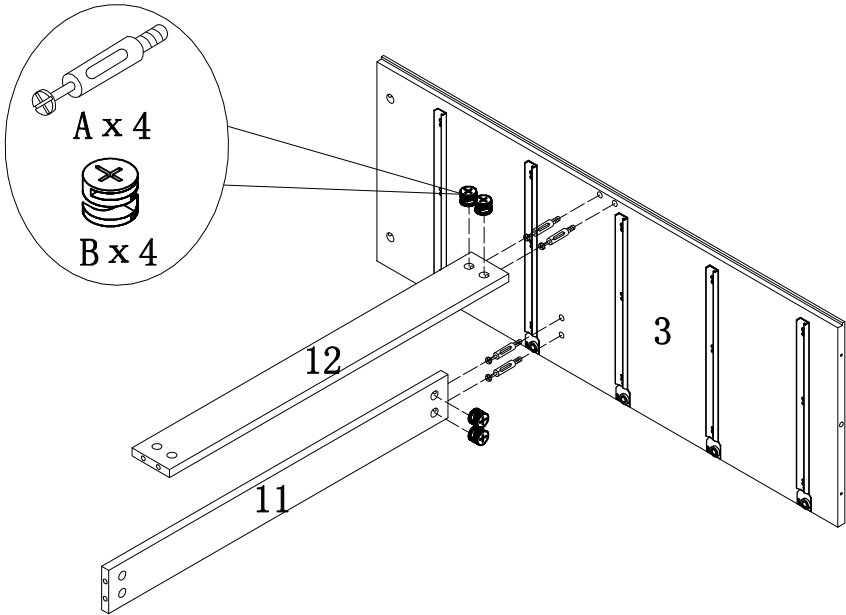
ITEM#: Y1106

x5



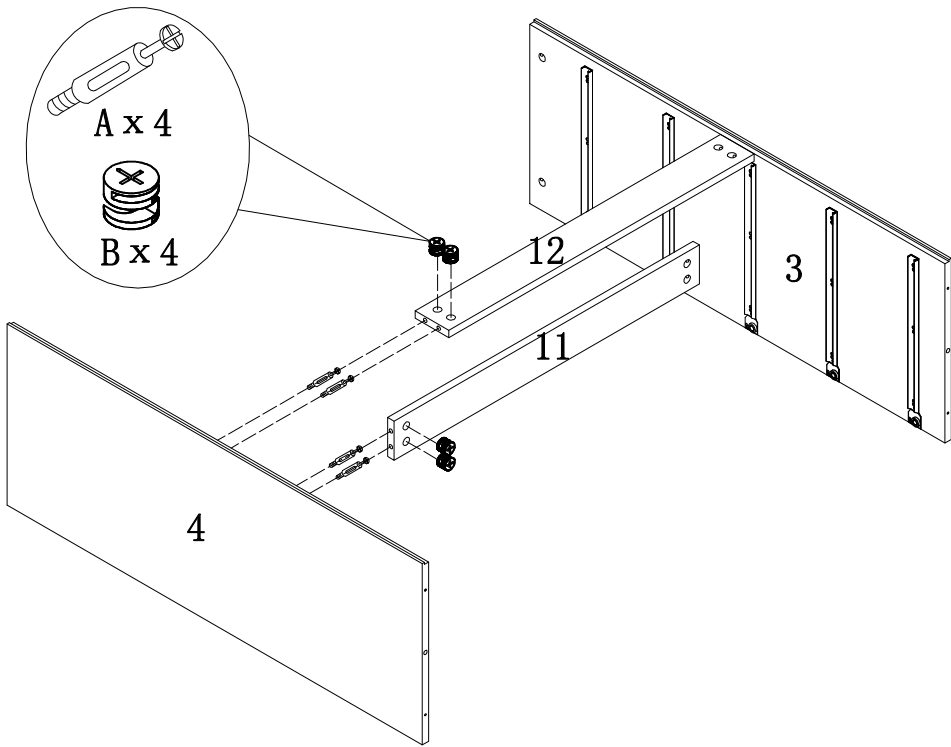
STEP3

STEP4



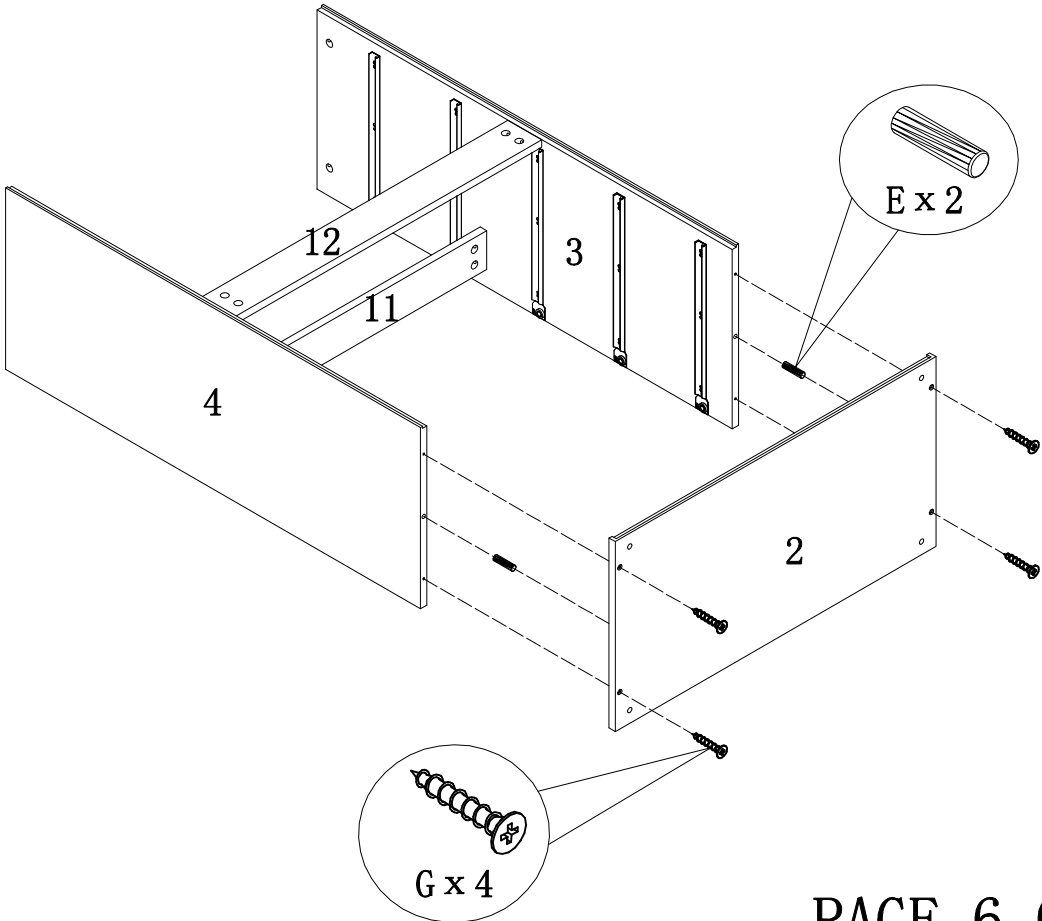
ASSEMBLY INSTRUCTION

ITEM#: Y1106



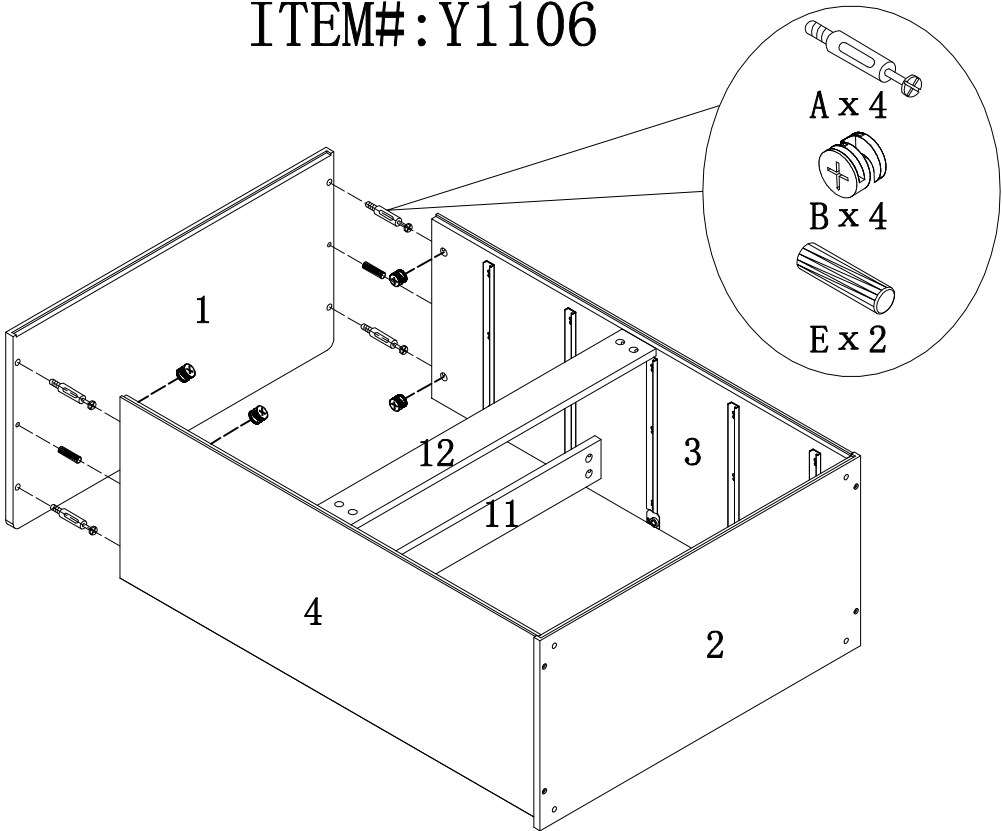
STEP5

STEP6



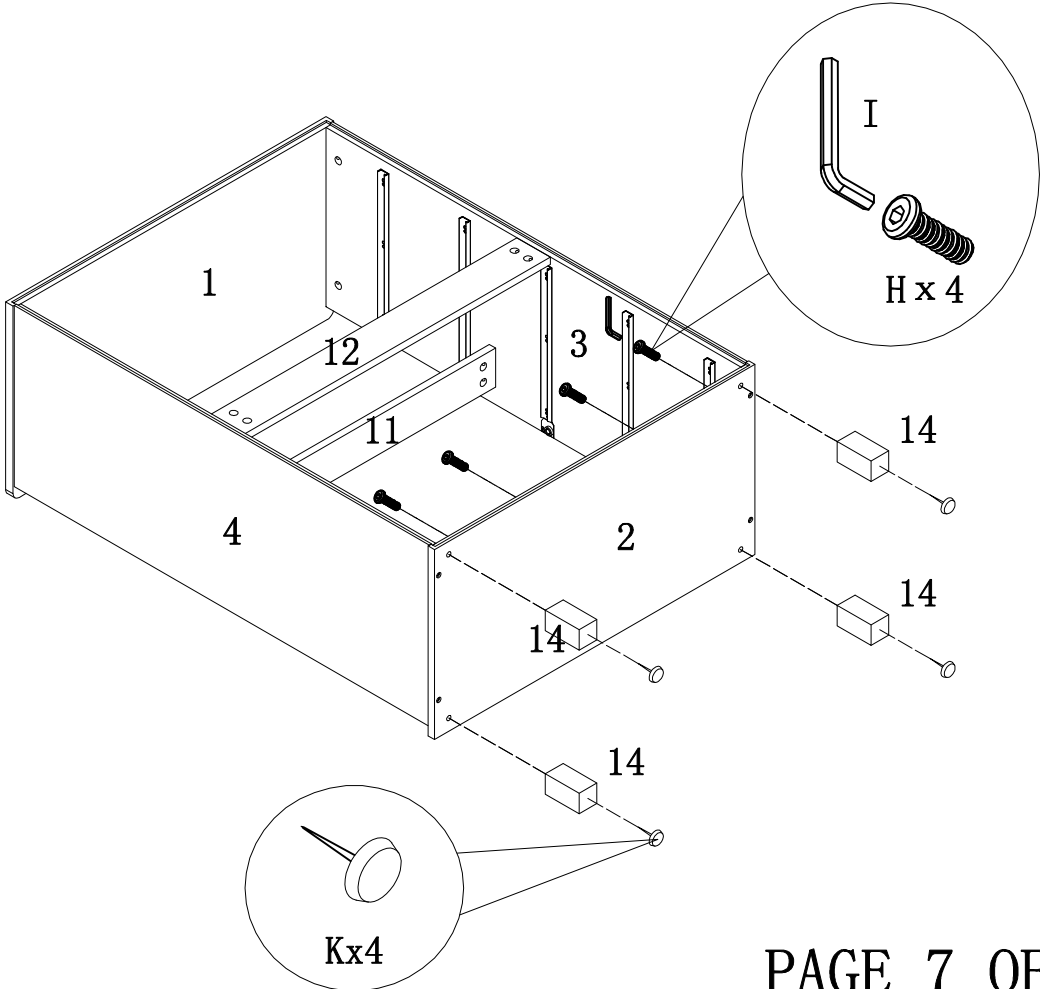
ASSEMBLY INSTRUCTION

ITEM#: Y1106



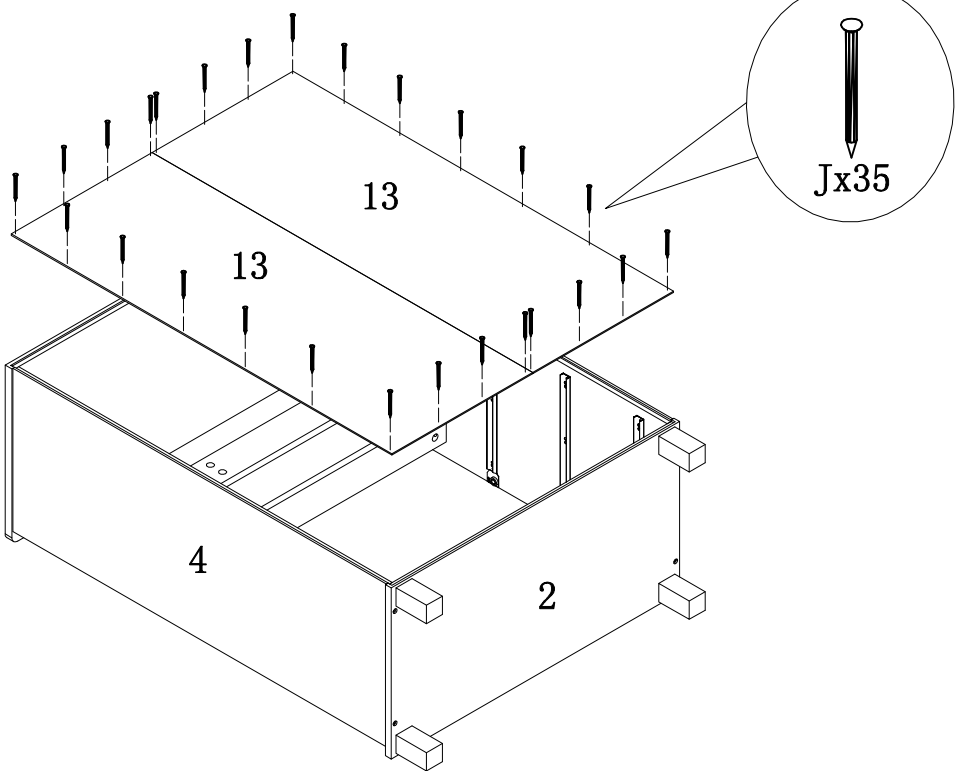
STEP 7

STEP 8



ASSEMBLY INSTRUCTION

ITEM#: Y1106



STEP9

STEP10

