

# ASSEMBLY INSTRUCTION

---

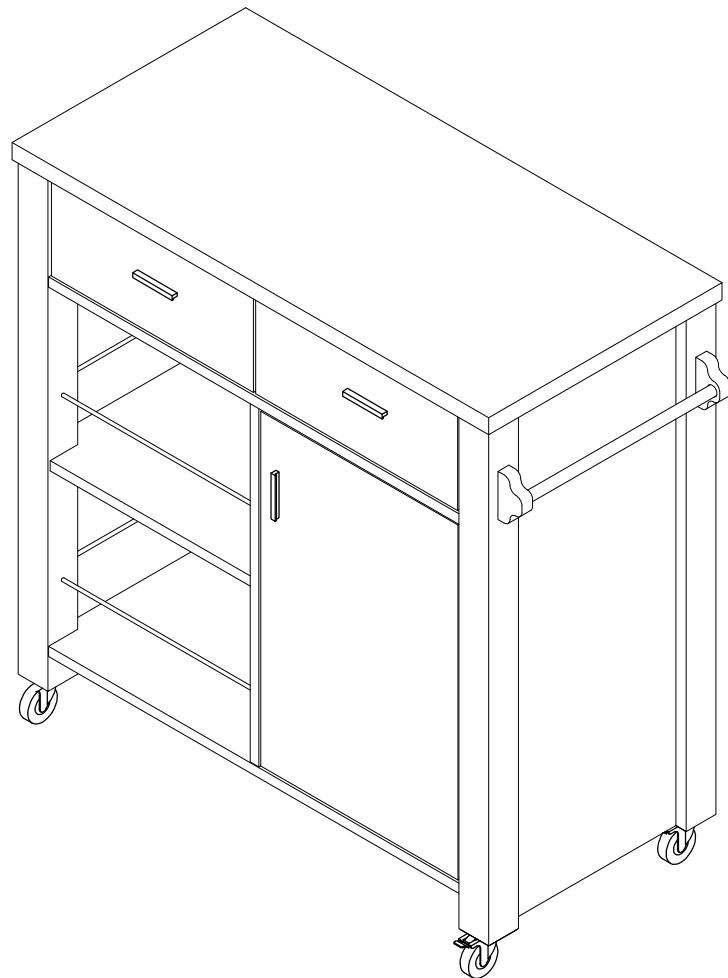
## PLEASE READ BEFORE ASSEMBLING!

Tip #1: Make sure you've taken all the pieces and hardware out of its packaging before discarding the box.

Tip #2: Using page 2 and/or page 3 of instruction manual make sure all pieces and hardware are accounted for.

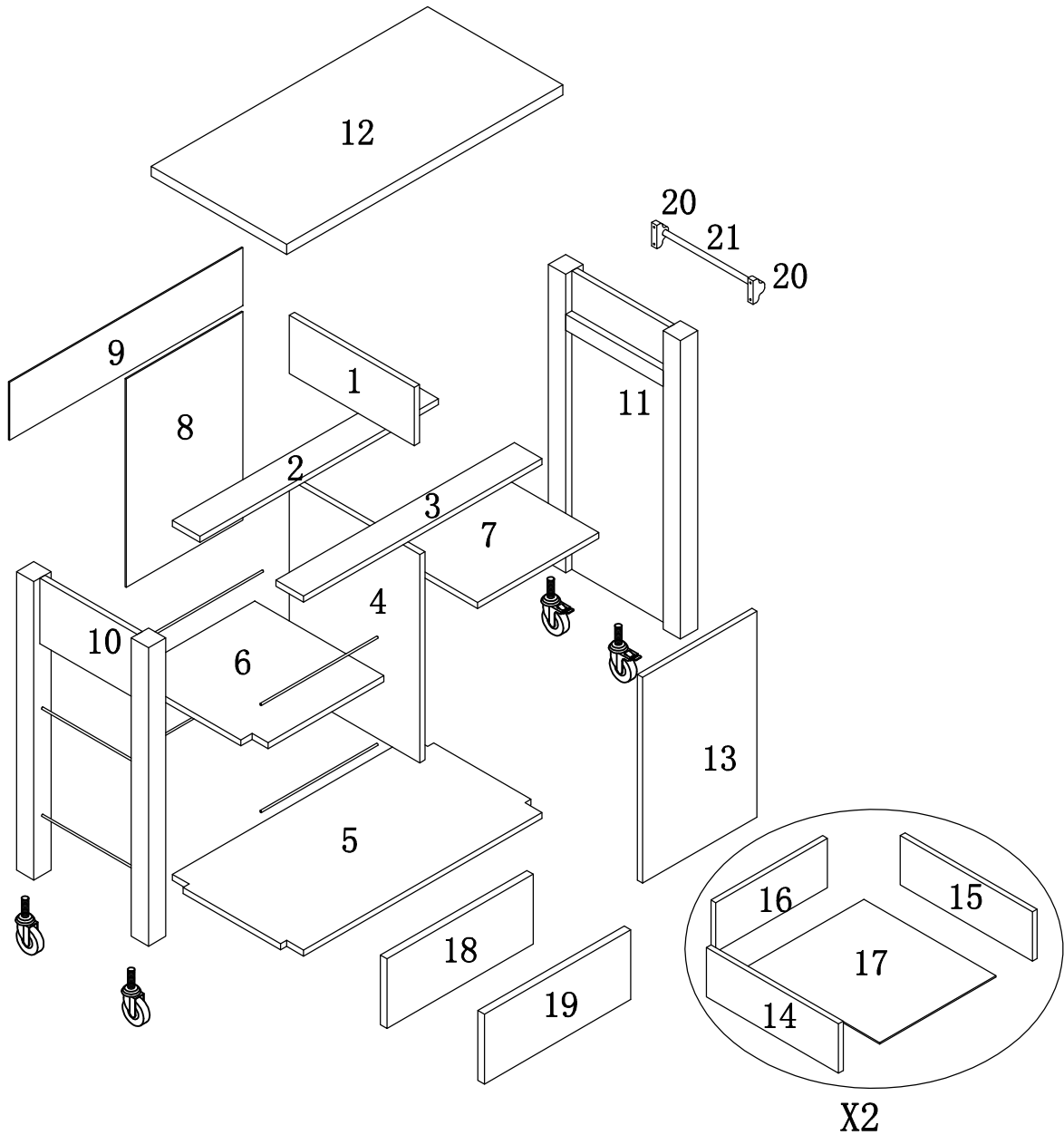
ITEM#: 11426 161567 161568 192490 192491

Need some help?  
Scan here for  
assembly video.



# PARTS IDENTIFICATION


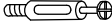

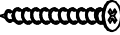





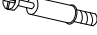

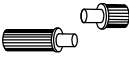
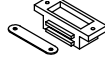




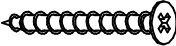



ITEM#:11426 161567 161568 192490 192491



(1)	1pc	(8)	1pc	(15)	2pcs
(2)	1pc	(9)	1pc	(16)	2pcs
(3)	1pc	(10)	1pc	(17)	2pcs
(4)	1pc	(11)	1pc	(18)	1pc
(5)	1pc	(12)	1pc	(19)	1pc
(6)	1pc	(13)	1pc	(20)	2pcs
(7)	1pc	(14)	2pcs	(21)	1pc

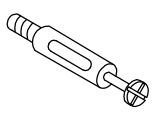

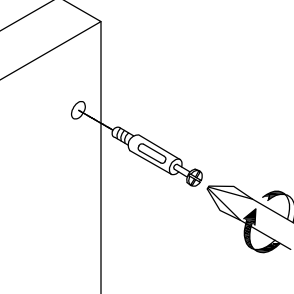
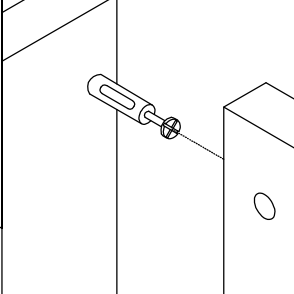
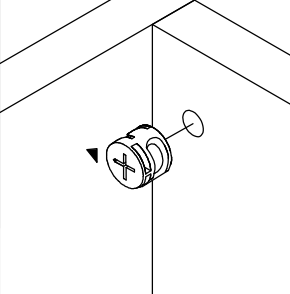
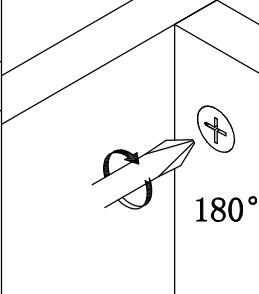
# HARDWARE IDENTIFICATION

ITEM#: 11426 161567 161568 192490 192491

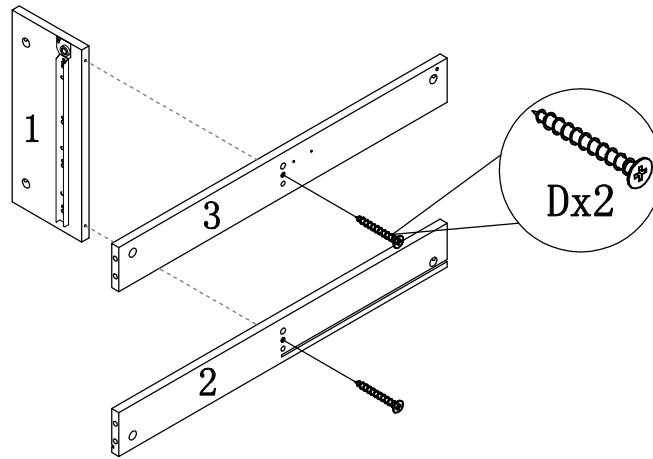
A		$\phi$ 15	16pcs
B		L29	16pcs
C		$\phi$ 8x25	14pcs
D		$\phi$ 4x40	4pcs
E		$\phi$ 5x335	4pcs
F		H65	2pcs
G		H65	2pcs
H		$\phi$ 5	8pcs
I		ET12	8pcs
J		L20	8pcs
K		$\phi$ 4x30	8pcs
L			1set
M			1set
N		$\phi$ 3x14	2pcs
O		$\phi$ 3x16	2pcs
P		64#	3pcs
Q		M4x22	6pcs
R		$\phi$ 4x50	4pcs
S		M14	1pc
T		$\phi$ 5x9	4pcs
U		Glue: For securing please apply to wood dowel first before inserting into panel	1pc

# ASSEMBLY INSTRUCTION

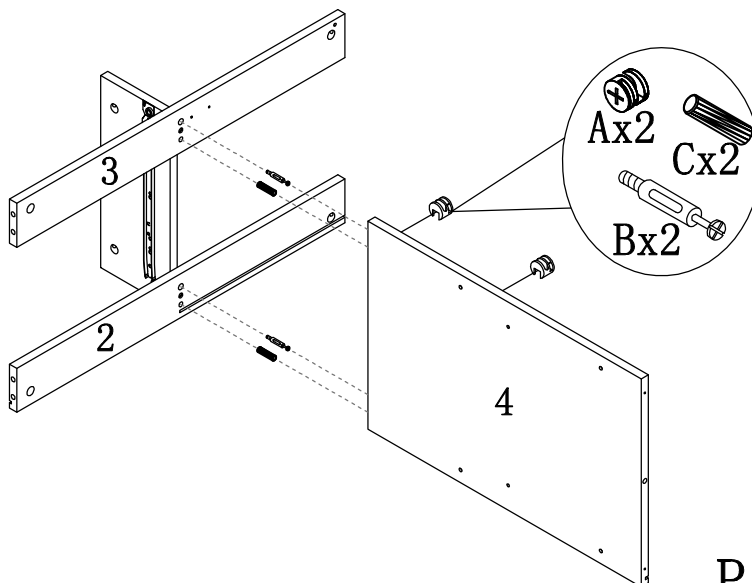
ITEM#: 11426 161567 161568 192490 192491

HOW TO	1	2	3	4
 Cam Bolt   Cam Lock				
	1. Screw Cam Bolt into panel.	2. Insert Cam Bolt into bolt hole of joining panel.	3. Insert Cam Lock. arrow facing bolt.	4. Gently turn Cam Lock clockwise to lock position.

## STEP1

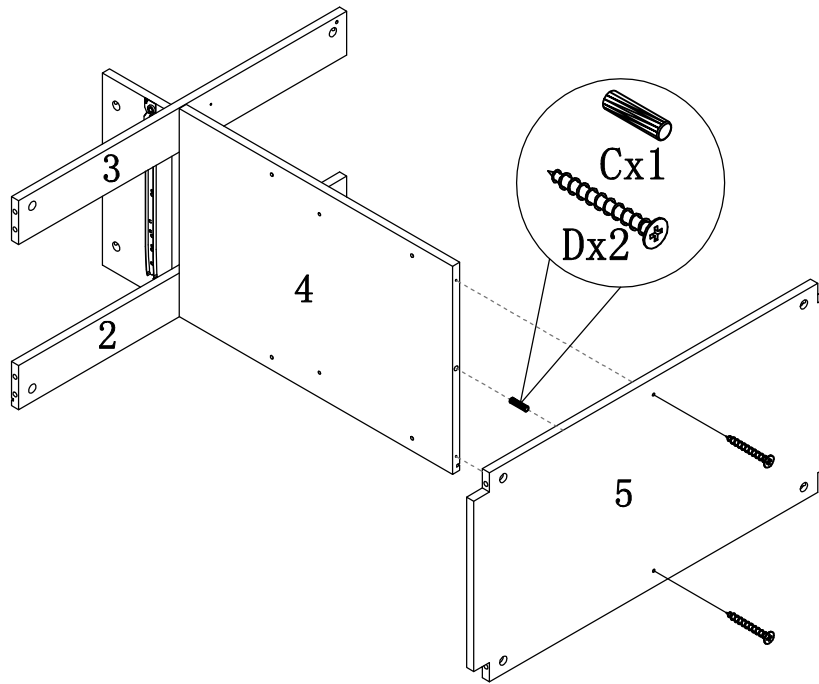


## STEP2



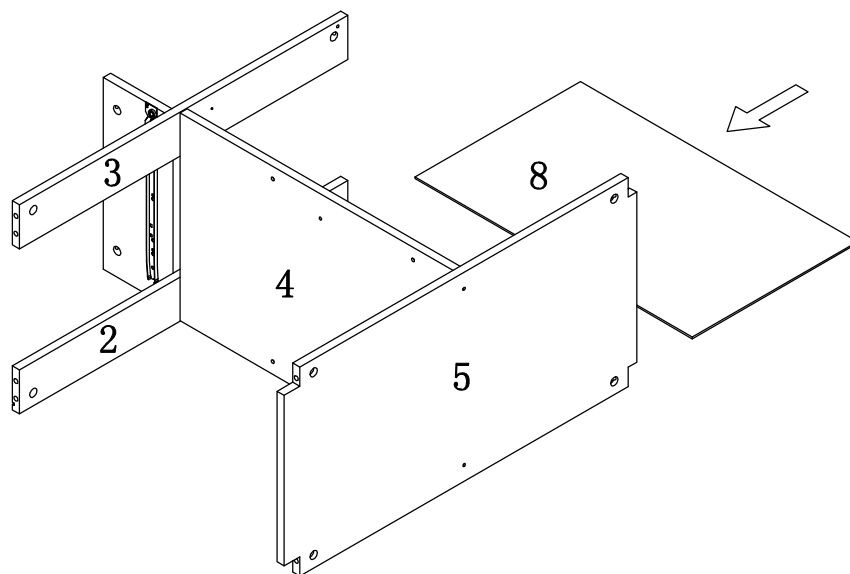
# ASSEMBLY INSTRUCTION

ITEM#:11426 161567 161568 192490 192491



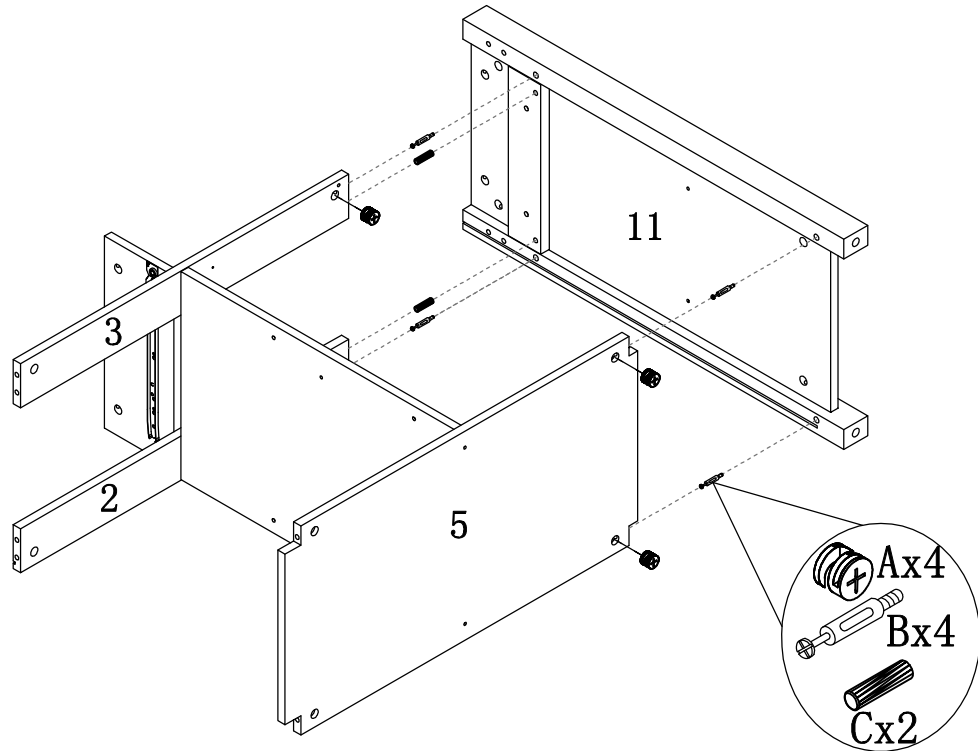
STEP3

STEP4



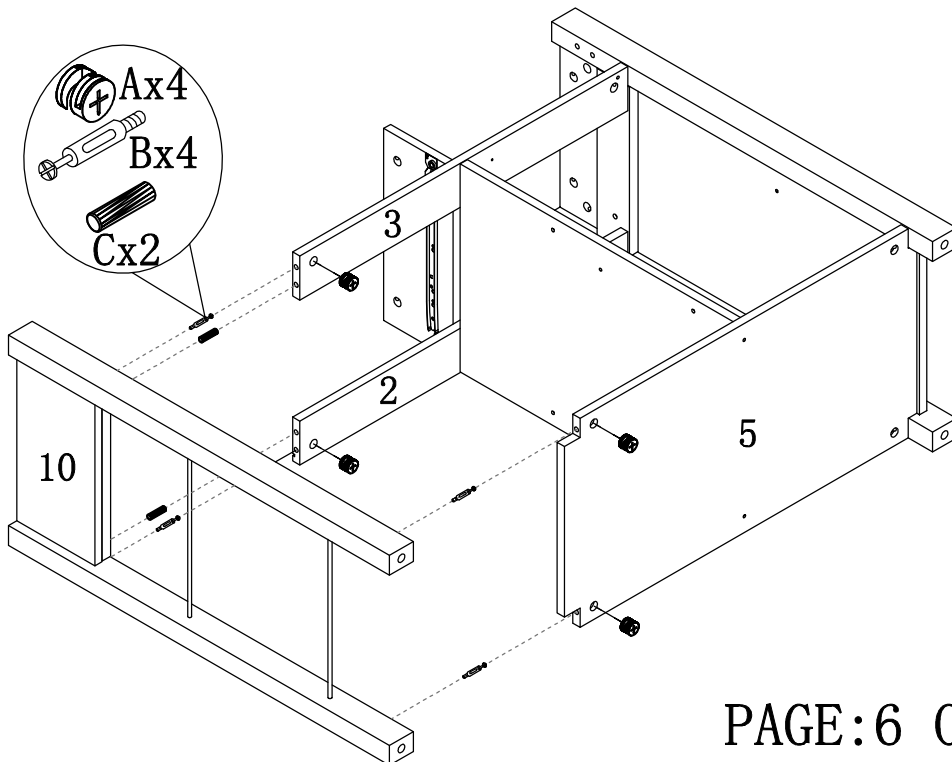
# ASSEMBLY INSTRUCTION

ITEM#:11426 161567 161568 192490 192491



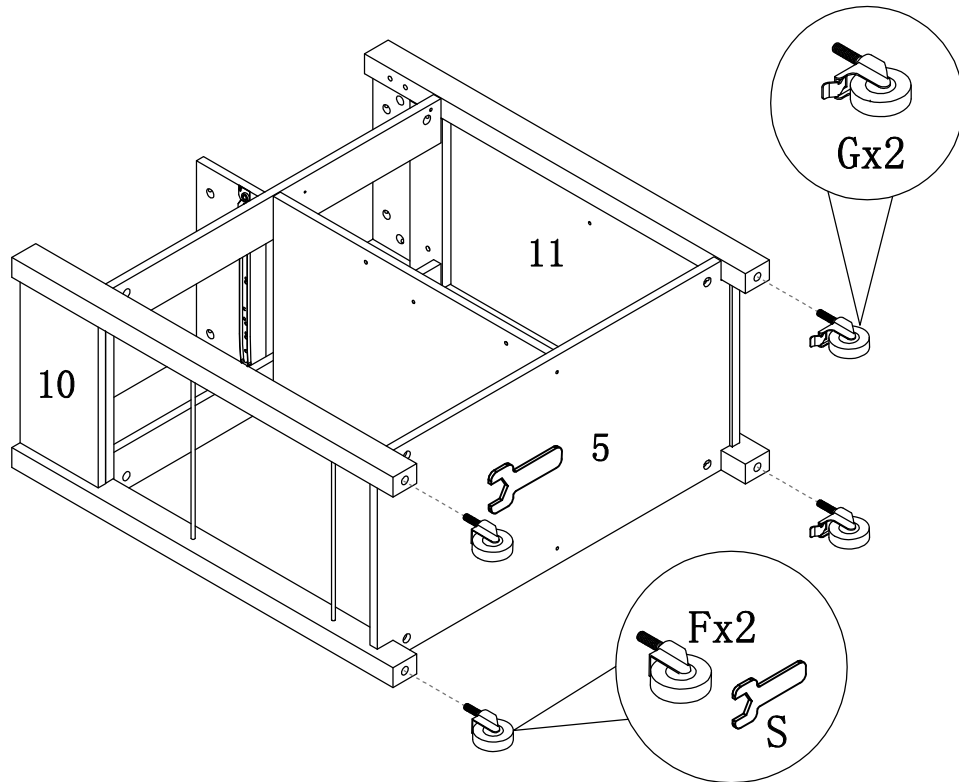
STEP5

STEP6



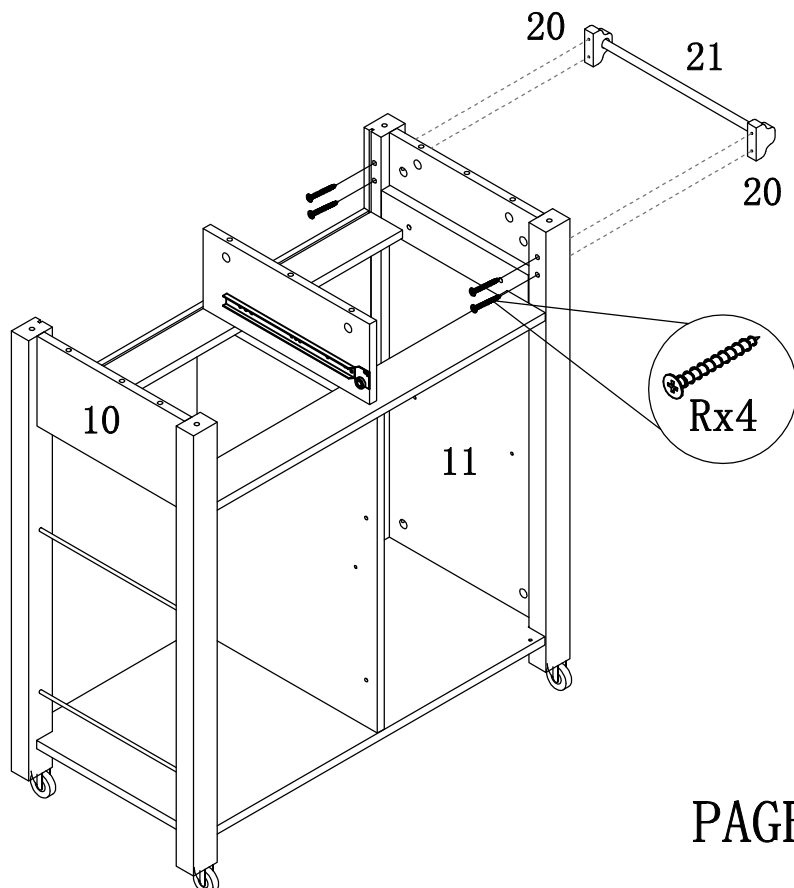
# ASSEMBLY INSTRUCTION

ITEM#: 11426 161567 161568 192490 192491



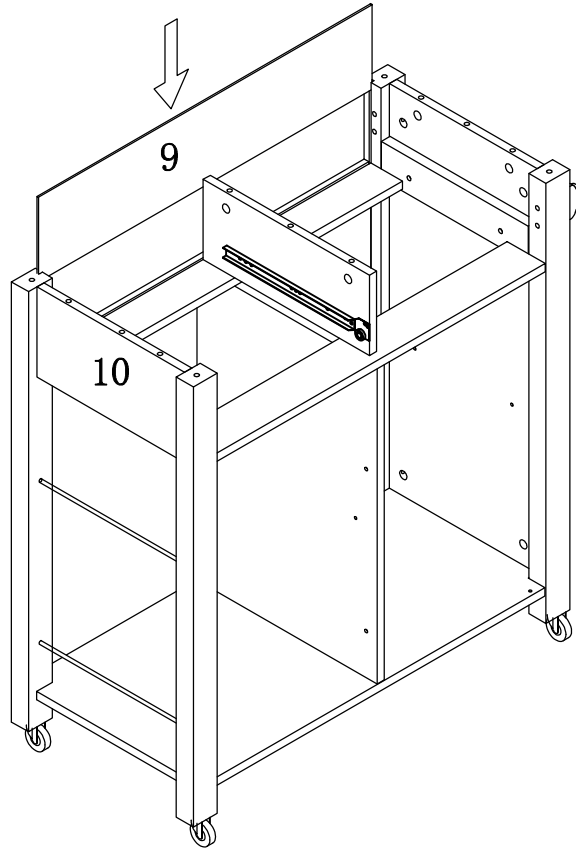
STEP 7

STEP 8



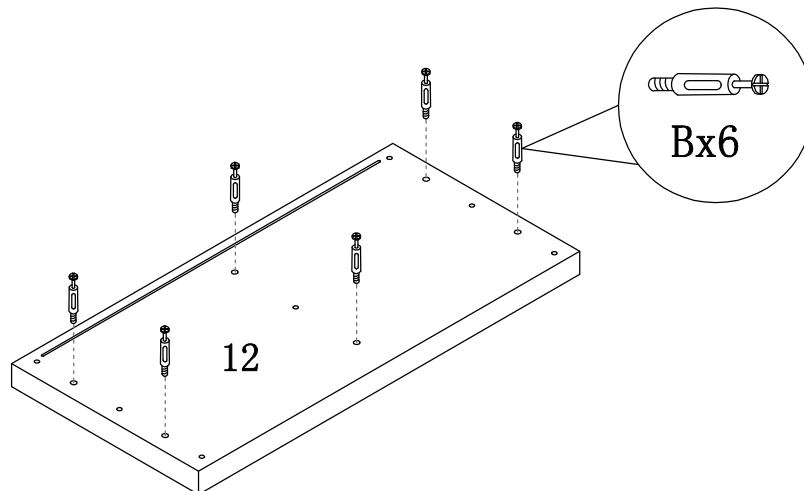
# ASSEMBLY INSTRUCTION

ITEM#: 11426 161567 161568 192490 192491



STEP9

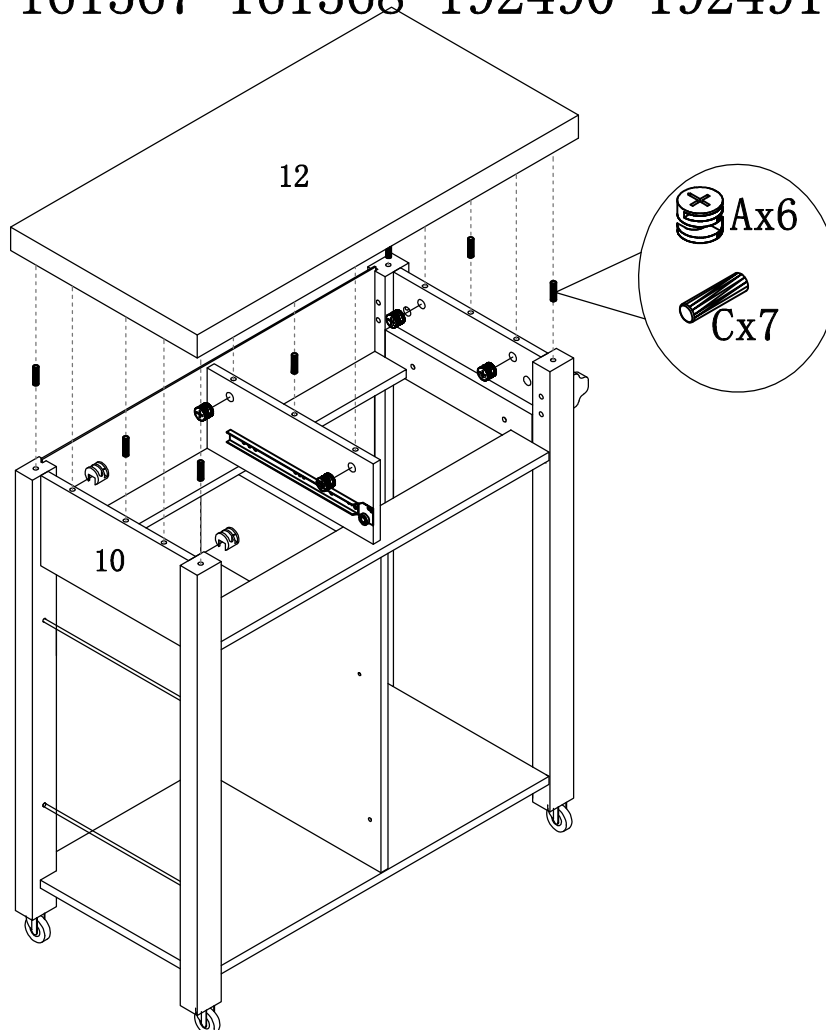
STEP10





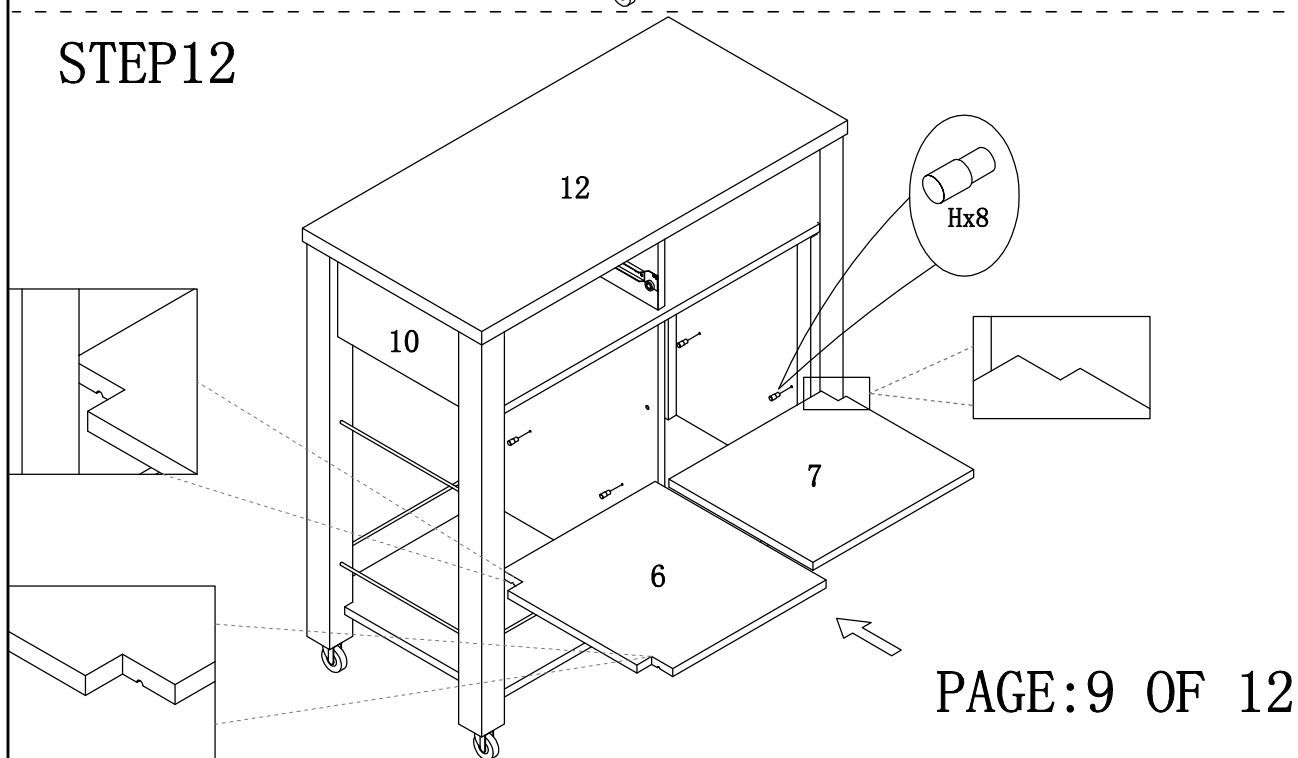
# ASSEMBLY INSTRUCTION

ITEM#: 11426 161567 161568 192490 192491



STEP11

STEP12

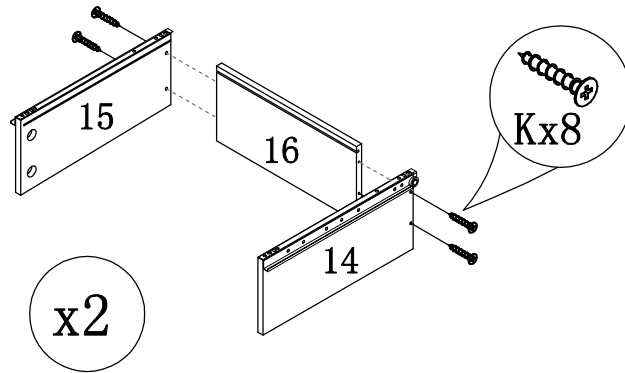


PAGE: 9 OF 12

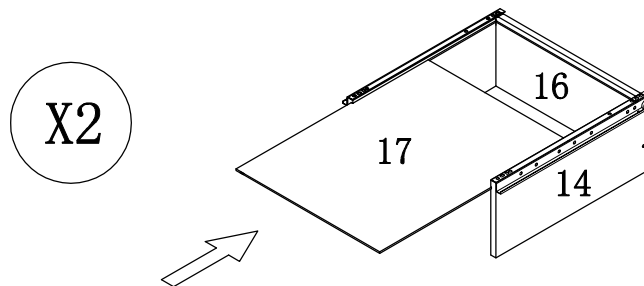
# ASSEMBLY INSTRUCTION

ITEM#:11426 161567 161568 192490 192491

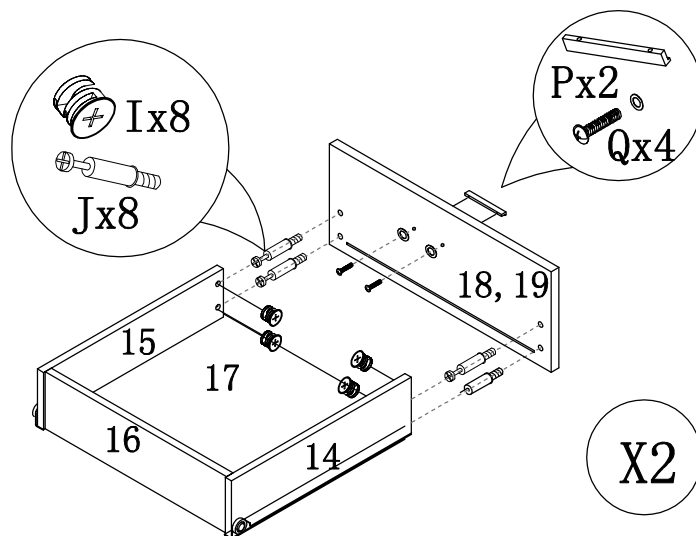
STEP13



STEP14

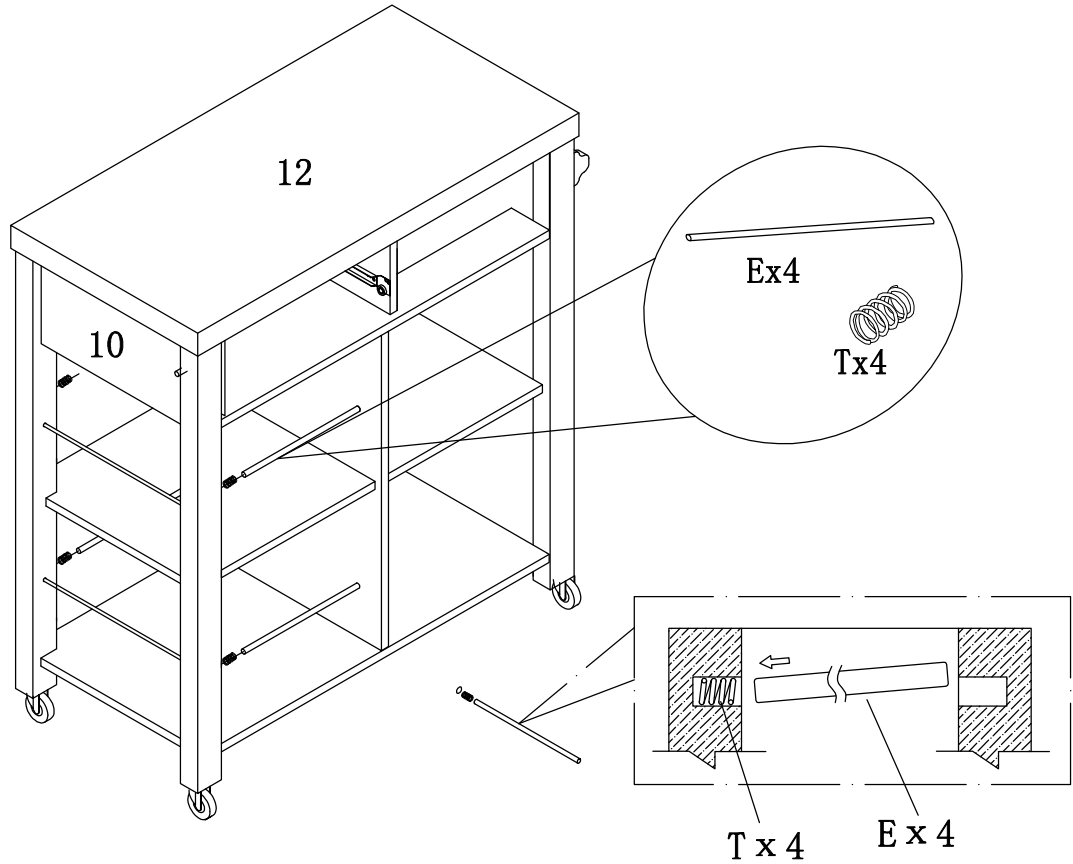


STEP15

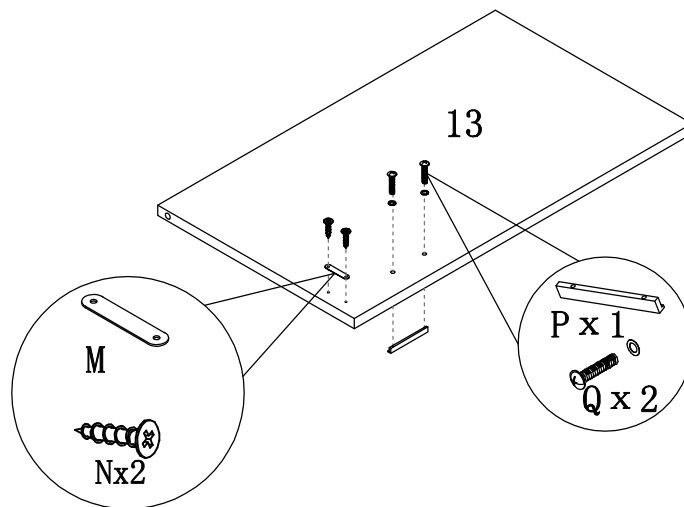


# ASSEMBLY INSTRUCTION

ITEM#: 11426 161567 161568 192490 192491

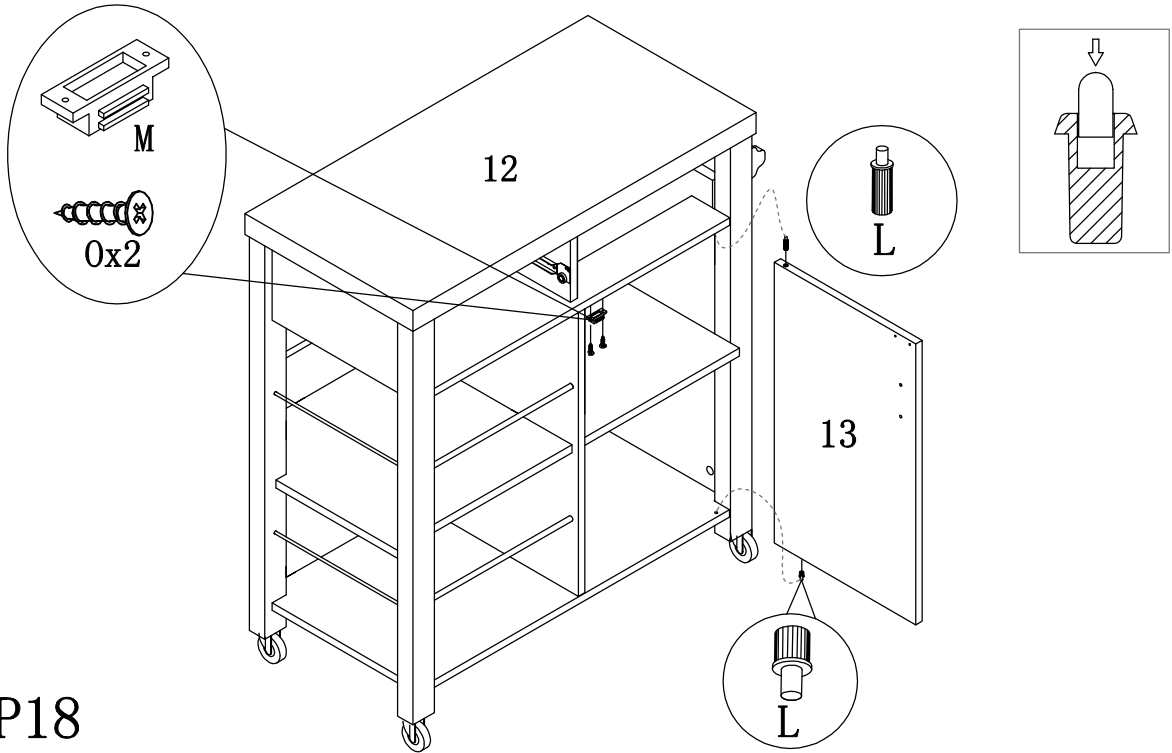


STEP17



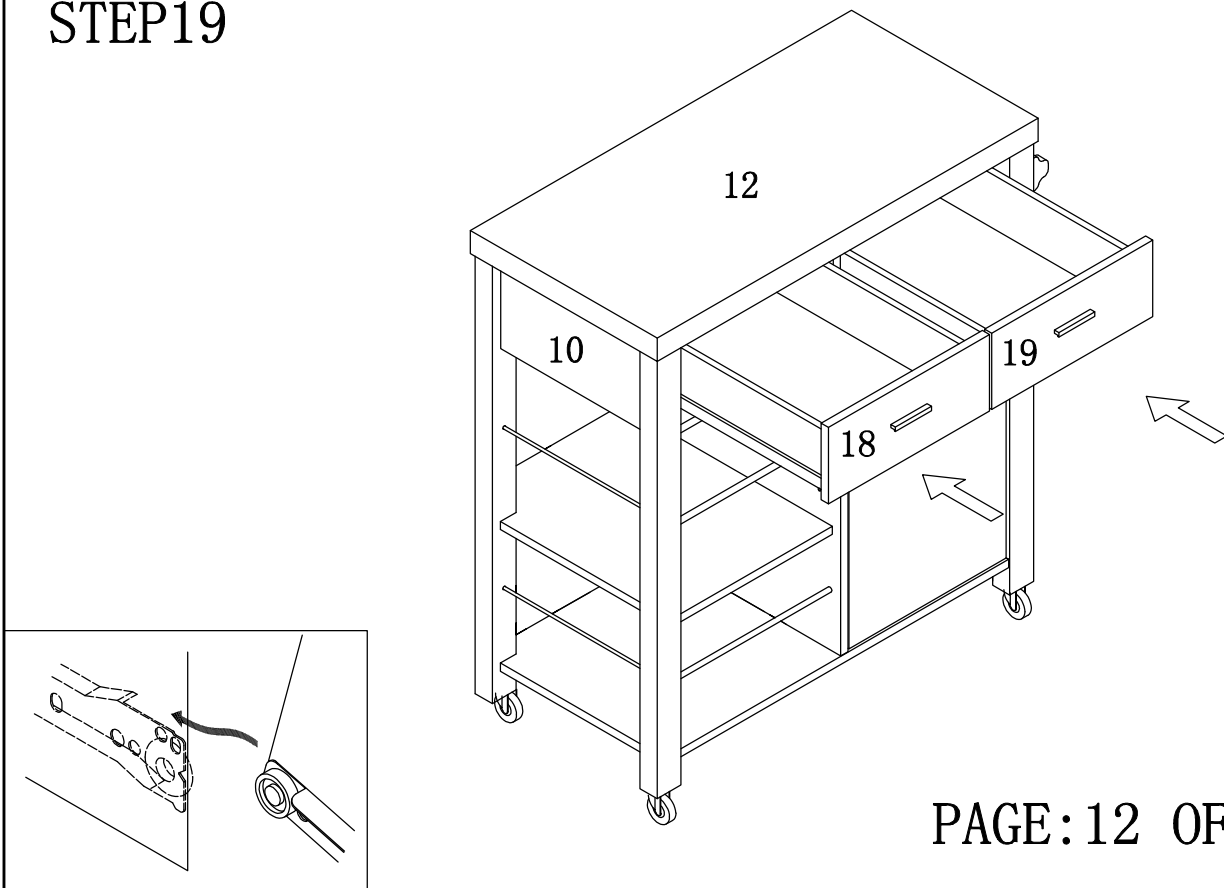
# ASSEMBLY INSTRUCTION

ITEM#: 11426 161567 161568 192490 192491



STEP 18

STEP 19



PAGE: 12 OF 12