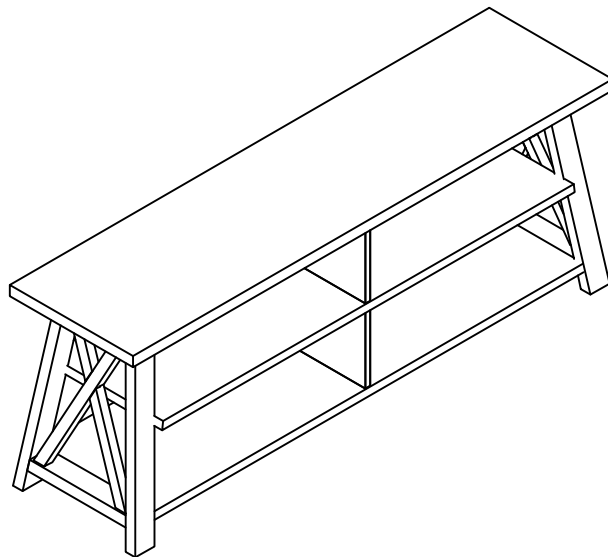


ASSEMBLY INSTRUCTION

ITEM#: 192533



ASSEMBLY INSTRUCTION

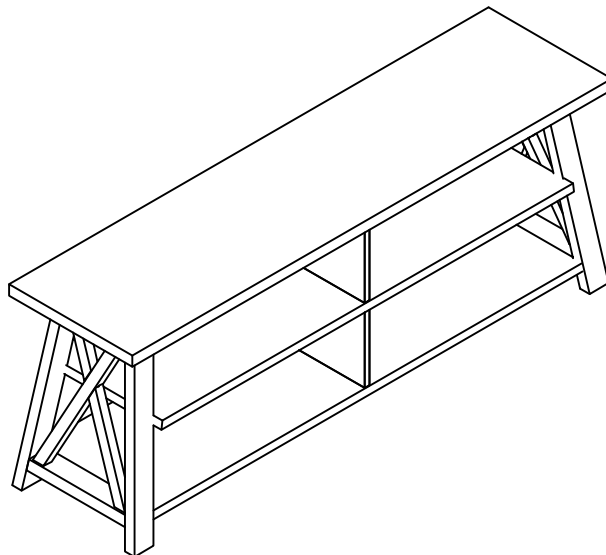
PLEASE READ BEFORE ASSEMBLING!

Tip #1: Make sure you've taken all the pieces and hardware out of its packaging before discarding the box.

Tip #2: Using page 2 and/or page 3 of instruction manual make sure all pieces and hardware are accounted for.

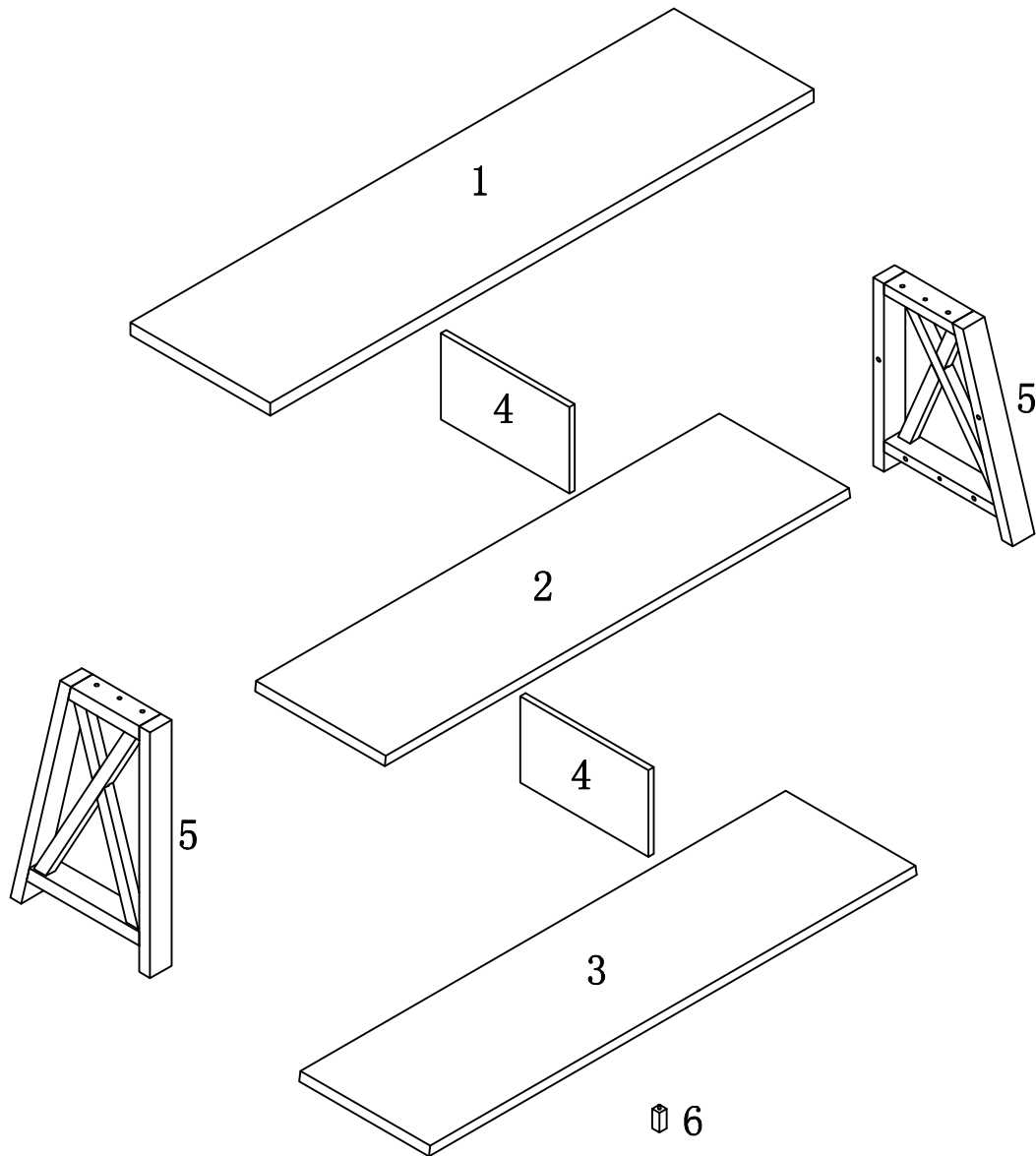
Tip #3: Read manual before assembling, it helps!

ITEM# : 192533



PARTS IDENTIFICATION

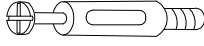


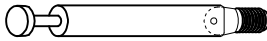
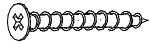
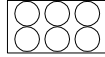




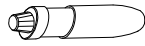
ITEM#: 192533



- | | |
|-----|------|
| (1) | 1pc |
| (2) | 1pc |
| (3) | 1pc |
| (4) | 2pcs |
| (5) | 2pcs |
| (6) | 1pc |

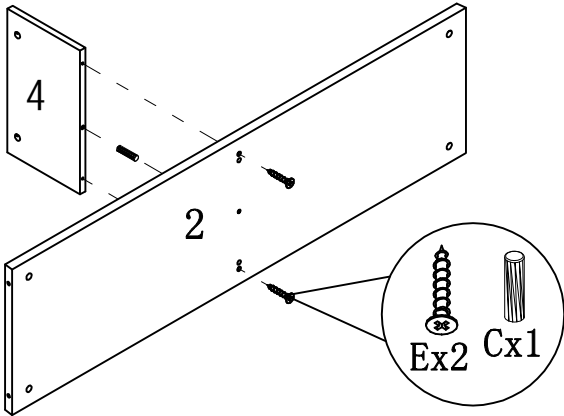
HARDWARE IDENTIFICATION

ITEM#: 192533

A		L29	4pcs
B		Ø15	12pcs
C		Ø8x25	8pcs
D		L54	8pcs
E		Ø4x40	4pcs
F		Ø22	4pcs
G		Ø16	4pcs
H		M8x40	4pcs
I		Ø8xØ16x2	4pcs
J		M5	1pc
K		Glue: For securing please apply to wood dowel first before inserting into panel	1pc

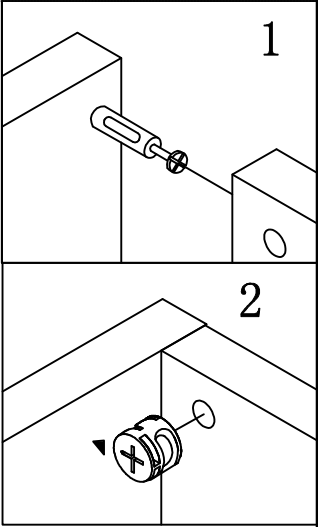
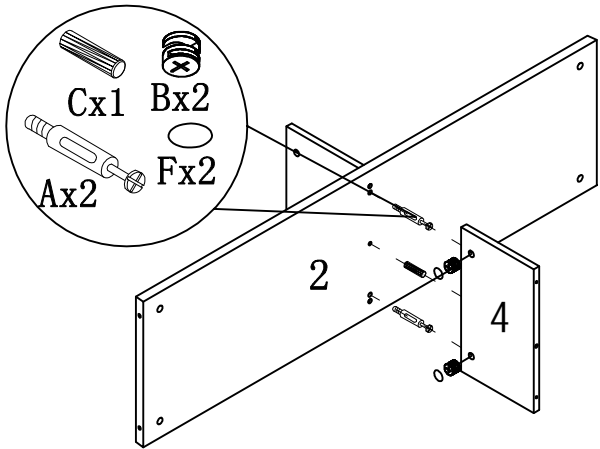
ASSEMBLY INSTRUCTION

ITEM#: 192533



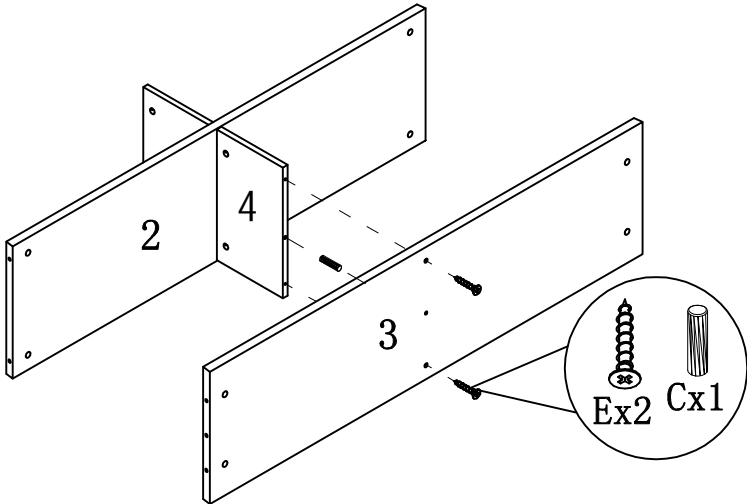
STEP 1

STEP 2



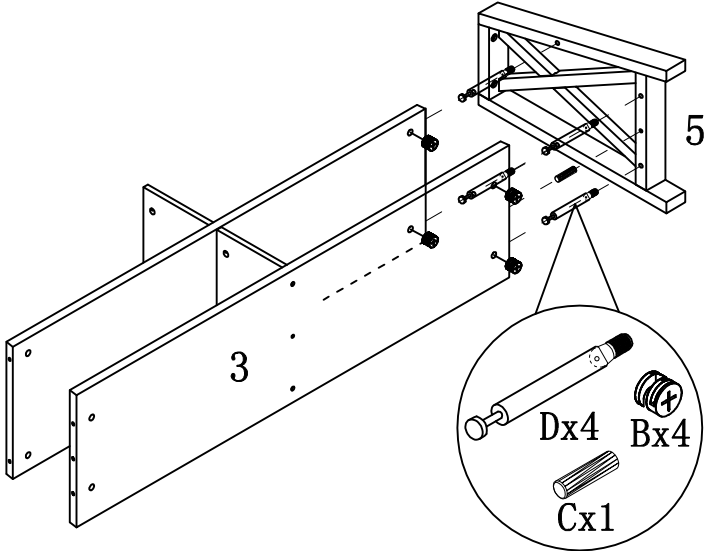
ASSEMBLY INSTRUCTION

ITEM#: 192533



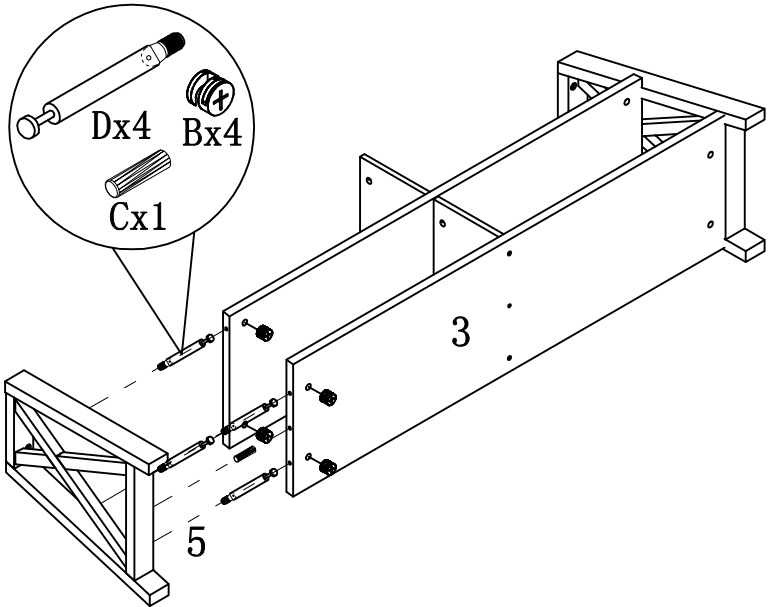
STEP3

STEP4



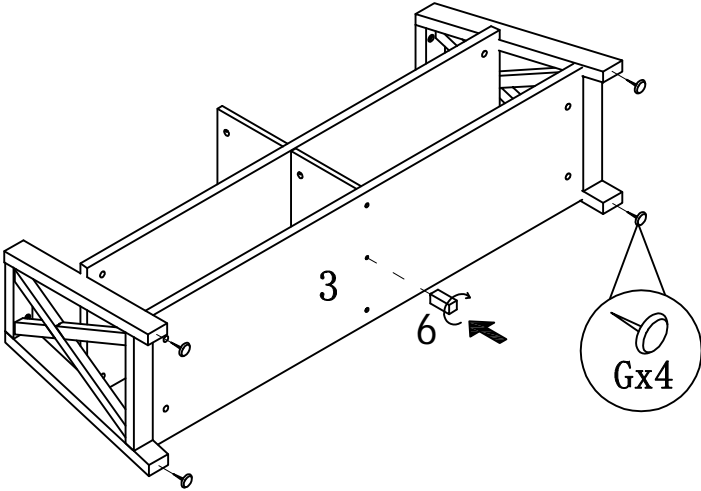
ASSEMBLY INSTRUCTION

ITEM#: 192533



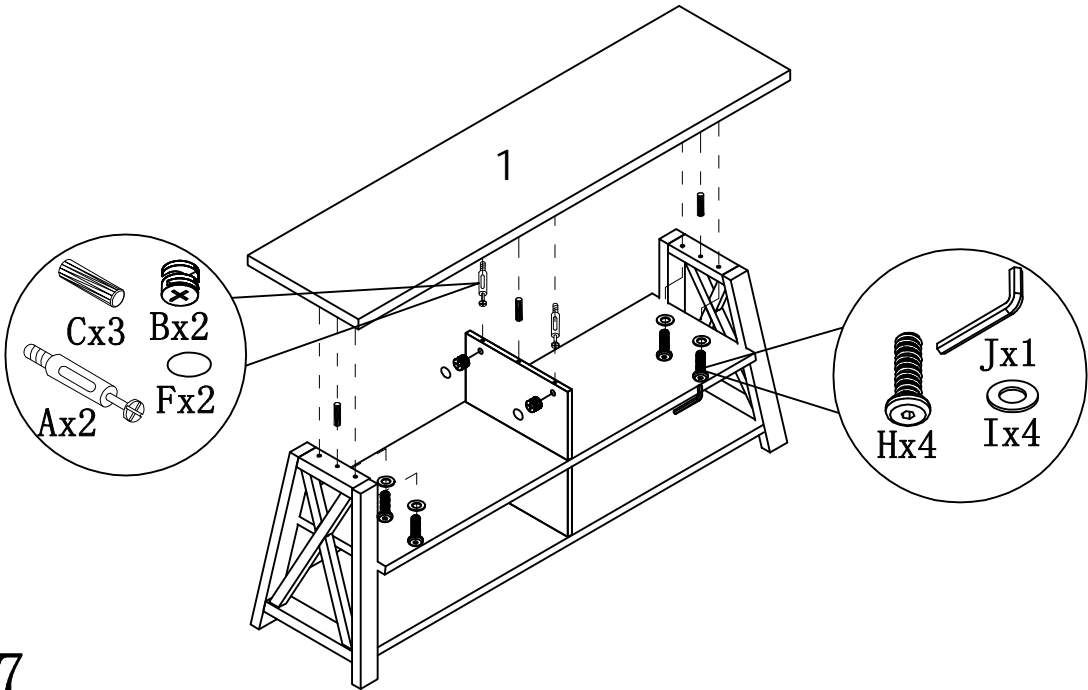
STEP5

STEP6



ASSEMBLY INSTRUCTION

ITEM#: 192533



STEP7

STEP8

