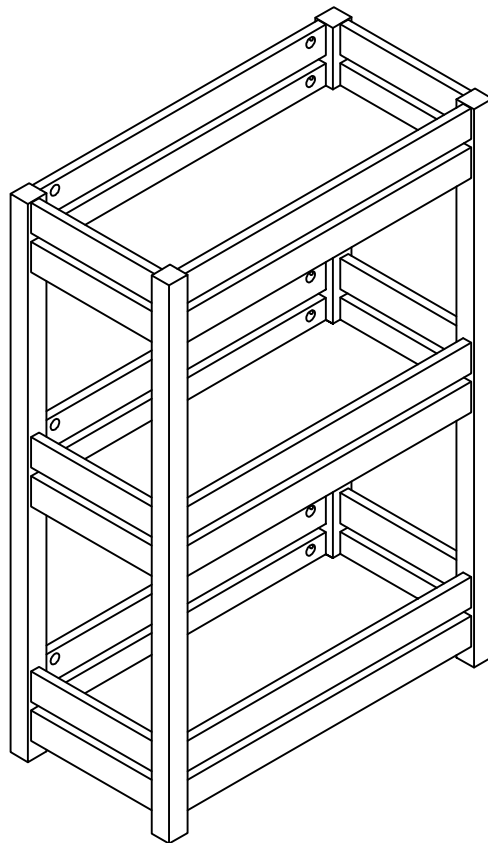


ASSEMBLY INSTRUCTION

ITEM#: 202838 202839 202840



ASSEMBLY INSTRUCTION

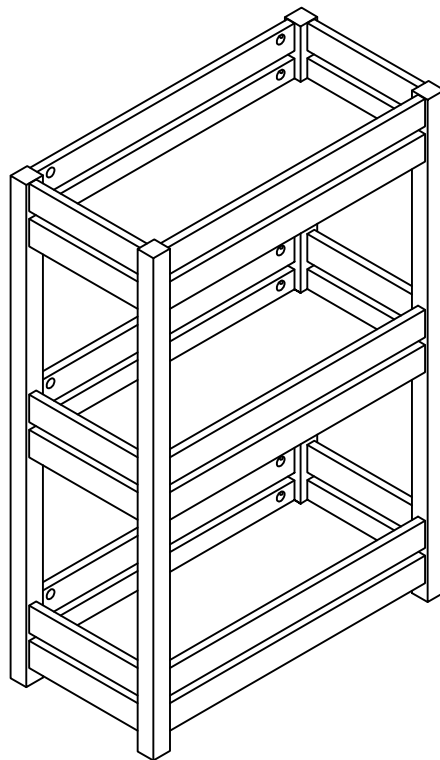
PLEASE READ BEFORE ASSEMBLING!

Tip #1: Make sure you've taken all the pieces and hardware out of its packaging before discarding the box.

Tip #2: Using page 2 and/or page 3 of instruction manual make sure all pieces and hardware are accounted for.

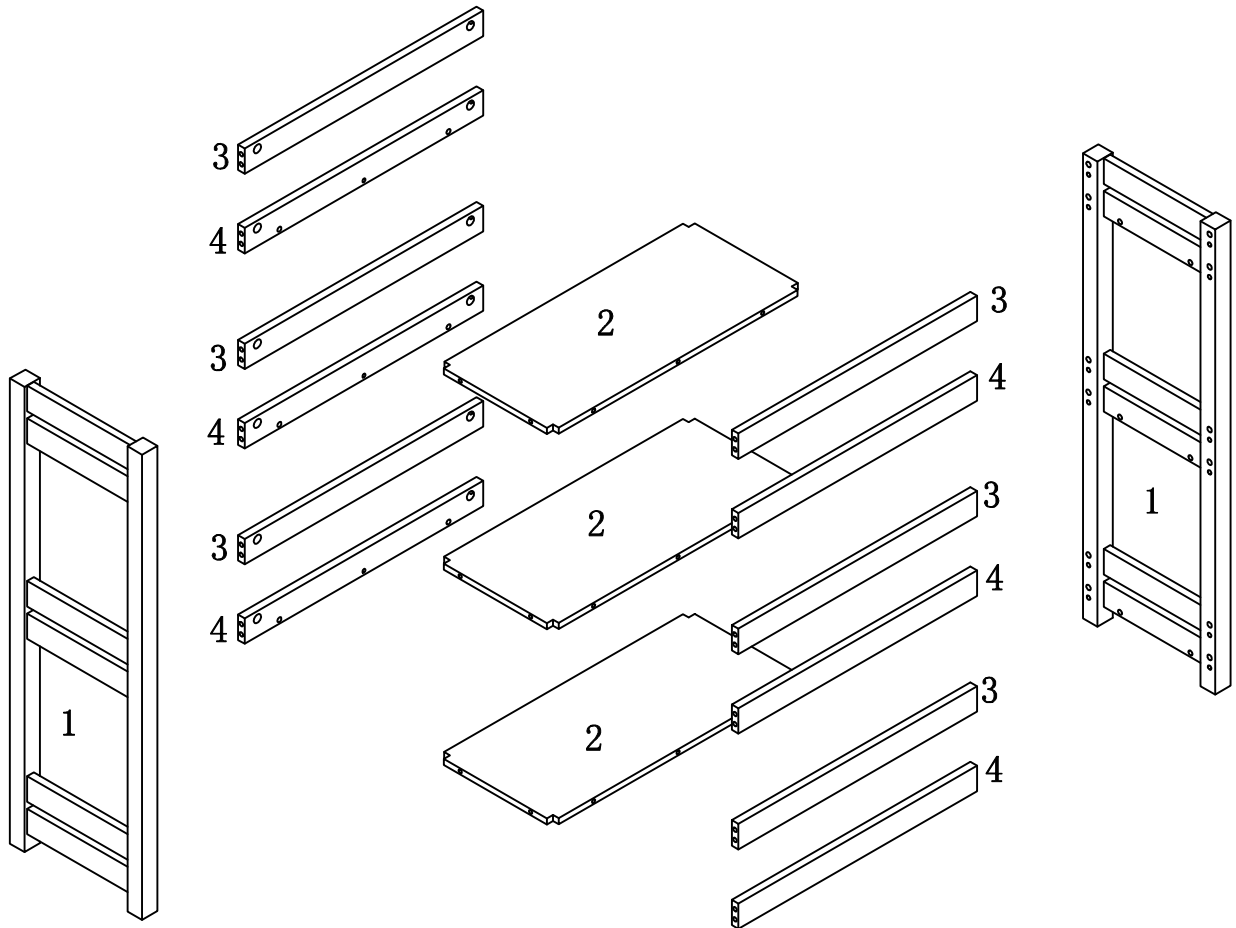
Tip #3: Read manual before assembling, it helps!

ITEM#: 202838 202839 202840



PARTS IDENTIFICATION




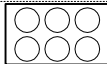
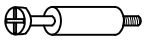




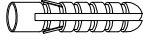

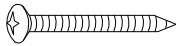
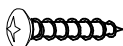

ITEM#: 202838 202839 202840



- (1) 2pcs
- (2) 3pcs
- (3) 6pcs
- (4) 6pcs

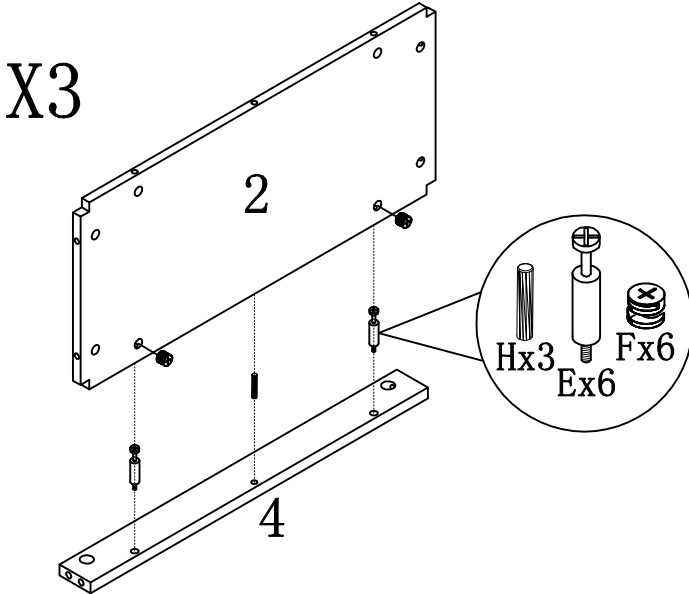
HARDWARE IDENTIFICATION

ITEM#: 202838 202839 202840

A		L29	24pcs
B		Ø15	24pcs
C		Ø8x25	24pcs
D		Ø22	24pcs
E		L24	24pcs
F		Ø12	24pcs
G		Ø16	4pcs
H		Ø6x30	6pcs
I		197x5x1	1pc
J		Ø8x40	1pc
K		12x12x1	2pc
L		Ø5x40	1pc
M		Ø4x25	1pc
N		Glue: For securing please apply to wood dowel first before inserting into panel	1pc

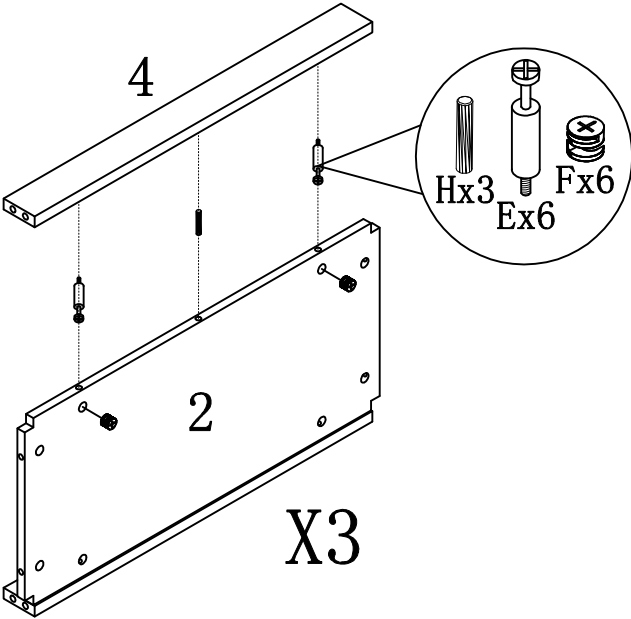
ASSEMBLY INSTRUCTION

ITEM#: 202838 202839 202840



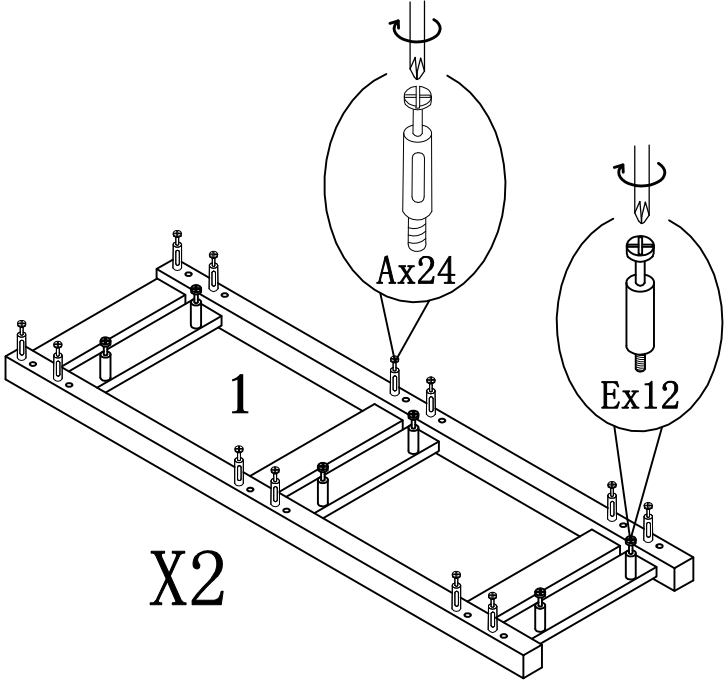
STEP1

STEP2



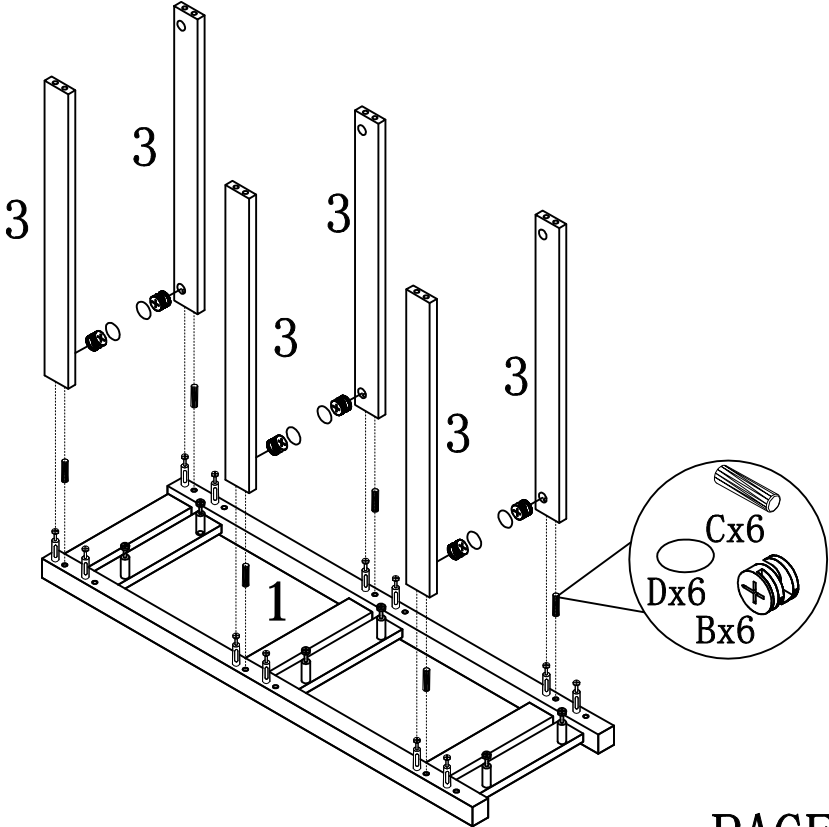
ASSEMBLY INSTRUCTION

ITEM#: 202838 202839 202840



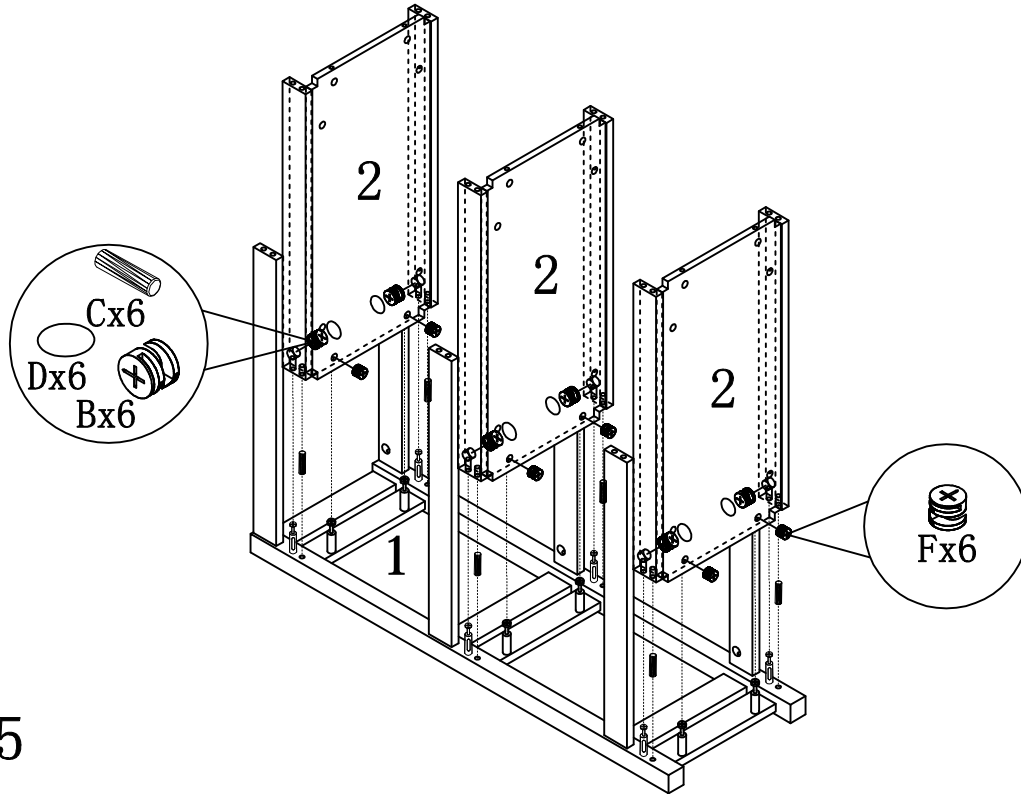
STEP3

STEP4



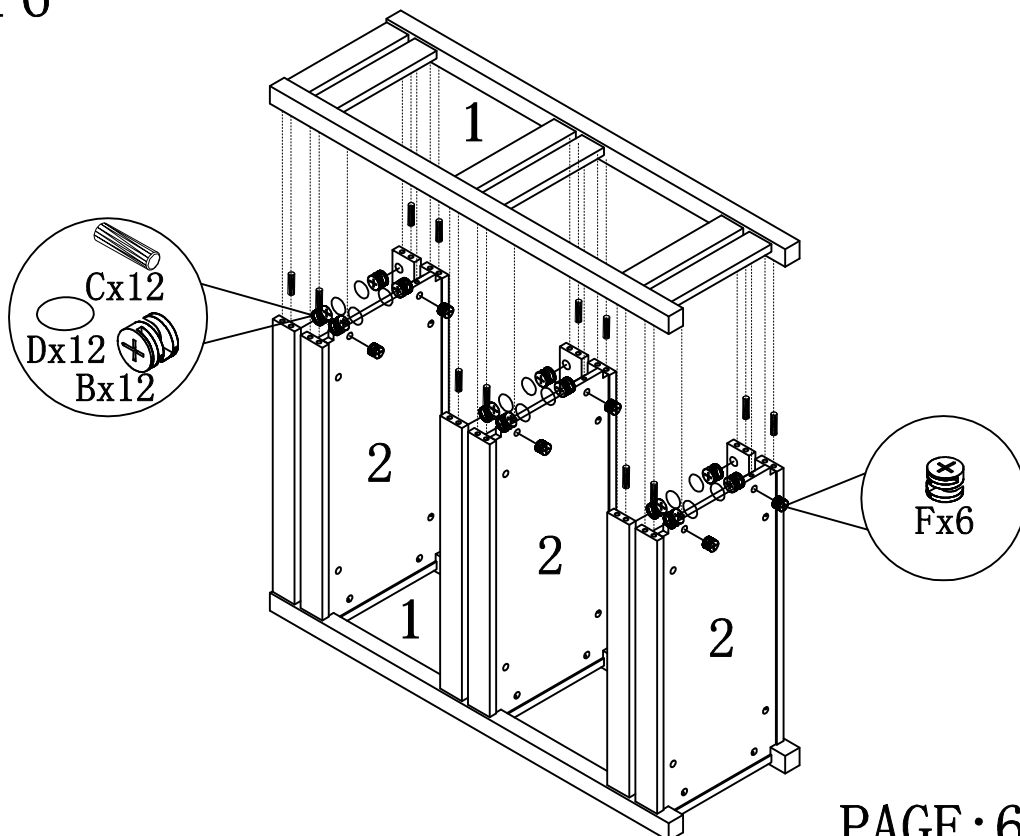
ASSEMBLY INSTRUCTION

ITEM#: 202838 202839 202840



STEP5

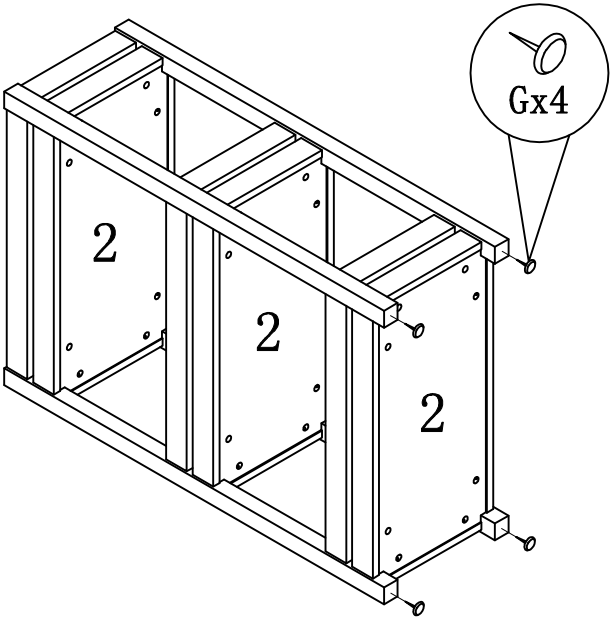
STEP6



PAGE:6 OF 8

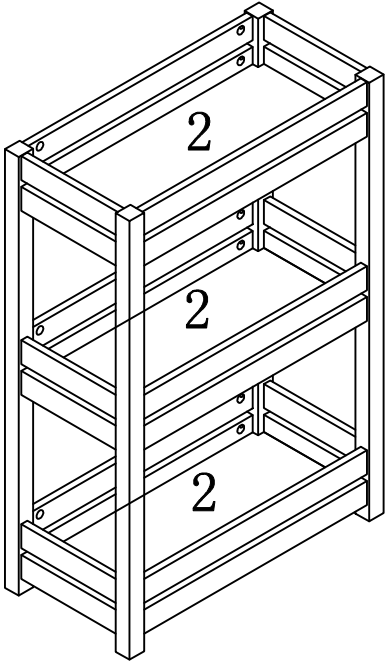
ASSEMBLY INSTRUCTION

ITEM#: 202838 202839 202840



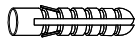
STEP7

STEP8

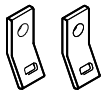


ANTI-TIPPING STRAP INSTRUCTION

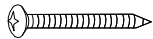
HARDWARE (INCLUDED) :



DRYWALL ANCHOR $\phi 8 \times 40$ X 1PC



METAL BRACKETS $12 \times 12 \times 1$ X 2PCS



DRYWALL SCREW $\phi 5 \times 40$ X 1PC

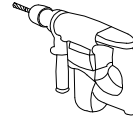


STRAP $197 \times 5 \times 1$ X 1PC



FLATHEAD SCREW $\phi 4 \times 25$ X 1PC

TOOLS NEEDED (NOT INCLUDED) :



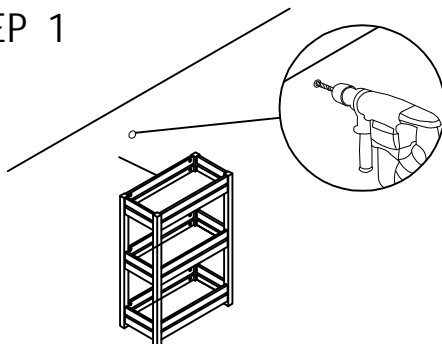
DRILL & DRILL BIT



LIGHT HAMMER

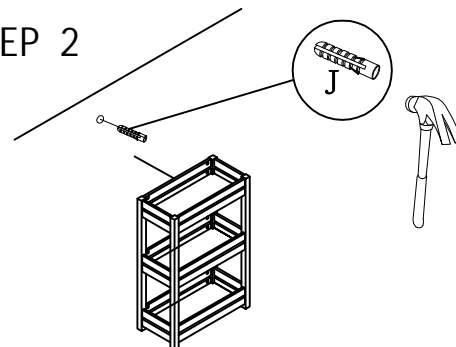
Note: Hardware included only compatible with standard drywalls.

STEP 1



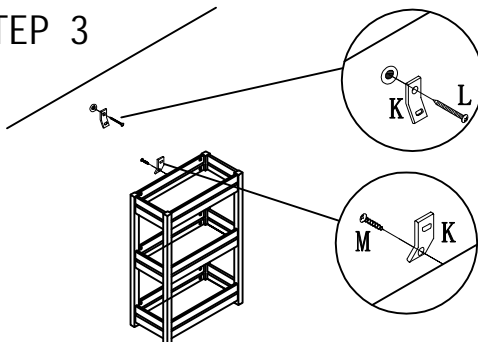
1. Find spot on wall 1" below top of item.
2. Using a drill bit slightly thinner than anchor, drill hole into drywall.

STEP 2



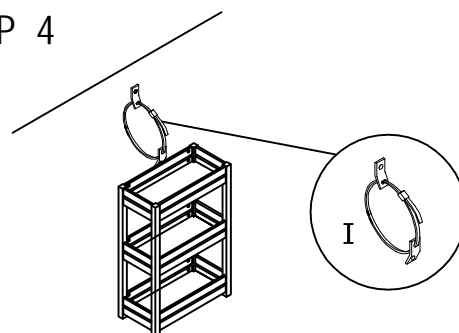
1. Use a light hammer to tap anchor into hole.
2. Anchor should fit snugly. If hole is too small, drill again to increase hole size. Do not force anchor into wall.

STEP 3



1. Insert drywall screw into metal bracket and into drywall anchor.
2. Insert flathead screw into second metal bracket and into back of item along top edge.

STEP 4



1. Insert strap thru bracket attached to wall, then thru bracket on item, and into head of strap.
 2. pull lightly til strap stops.
- Assembly is complete.