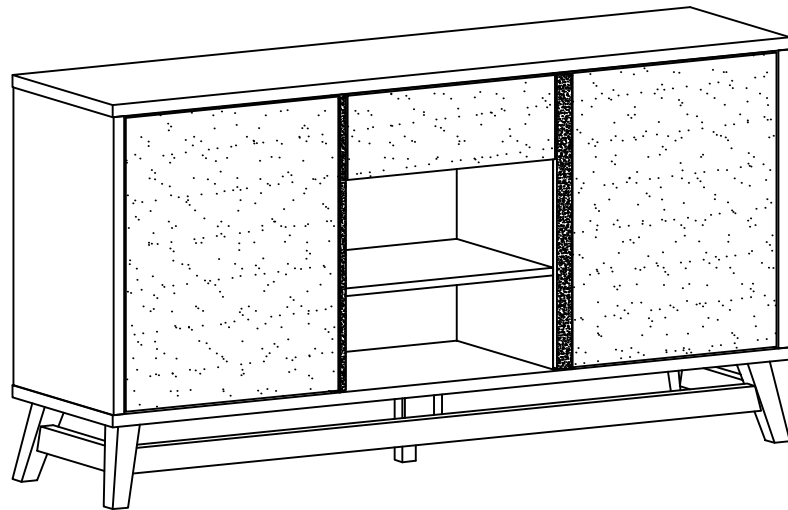


ASSEMBLY INSTRUCTION

ITEM#: 161632



ASSEMBLY INSTRUCTION

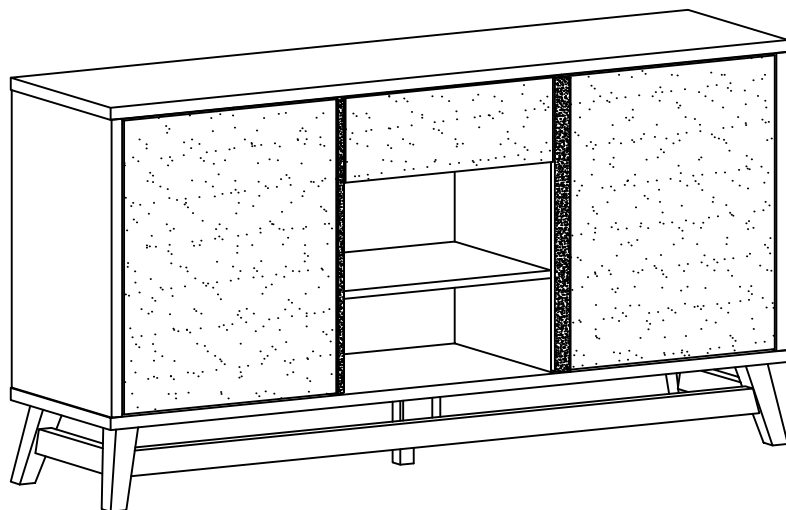
PLEASE READ BEFORE ASSEMBLING!

Tip #1: Make sure you've taken all the pieces and hardware out of its packaging before discarding the box. Assembly on top of flattened box/blanket is recommended.

Tip #2: Using page 2 and/or page 3 of instruction manual make sure all pieces and hardware are accounted for.

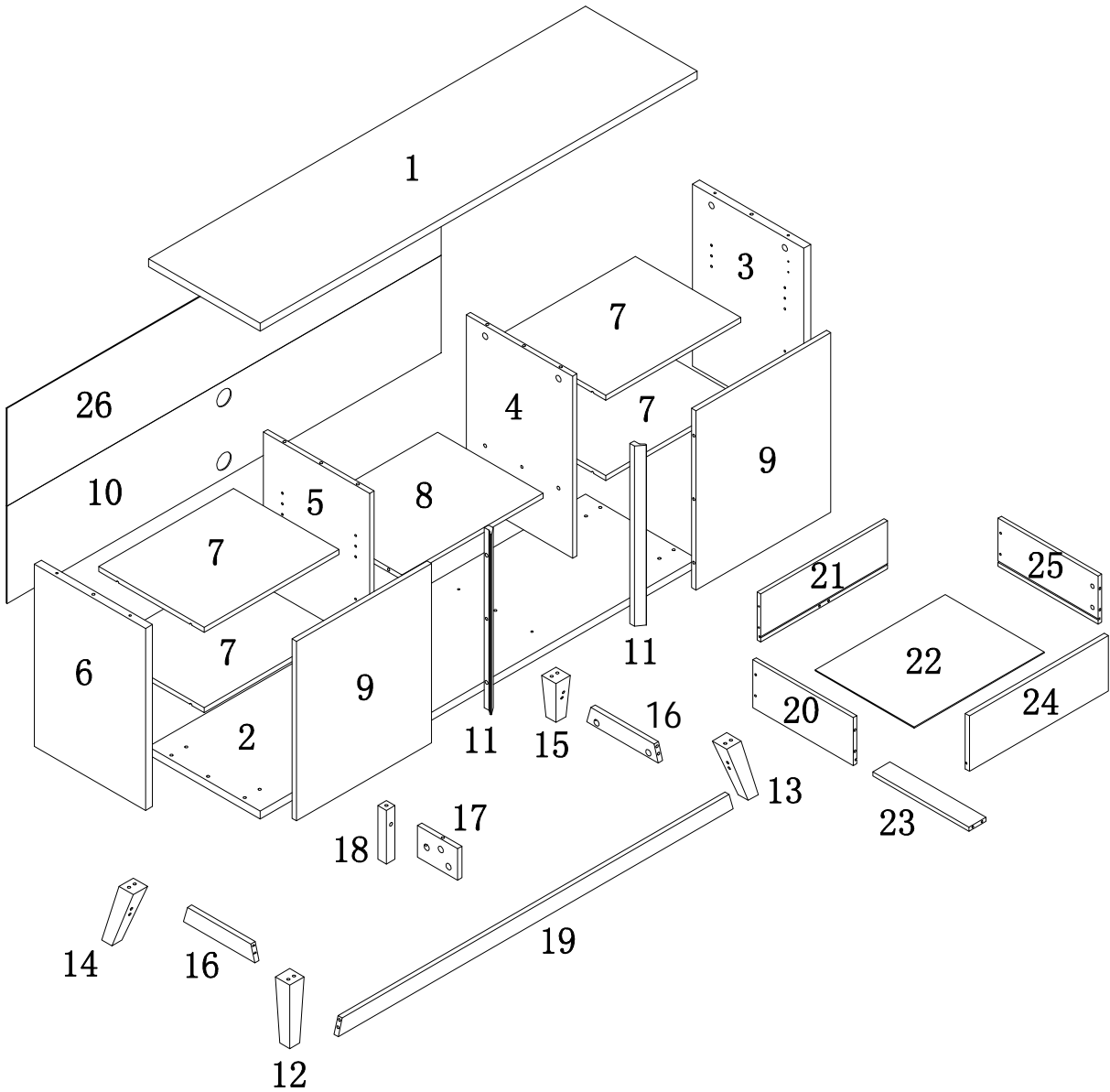
Tip #3: Note position of all holes on each panel during assembly.

ITEM#: 161632



PARTS IDENTIFICATION

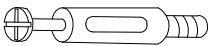

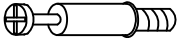



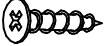
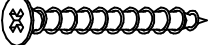
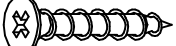





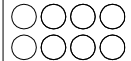


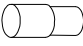
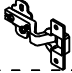

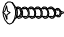
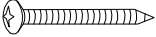
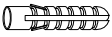


ITEM#: 161632



(1)	1pc	(10)	1pc	(19)	1pc
(2)	1pc	(11)	2pc	(20)	1pc
(3)	1pc	(12)	1pc	(21)	1pc
(4)	1pc	(13)	1pc	(22)	1pc
(5)	1pc	(14)	1pc	(23)	1pc
(6)	1pc	(15)	1pc	(24)	1pc
(7)	4pcs	(16)	2pcs	(25)	1pc
(8)	1pc	(17)	1pc	(26)	1pc
(9)	2pcs	(18)	1pc		

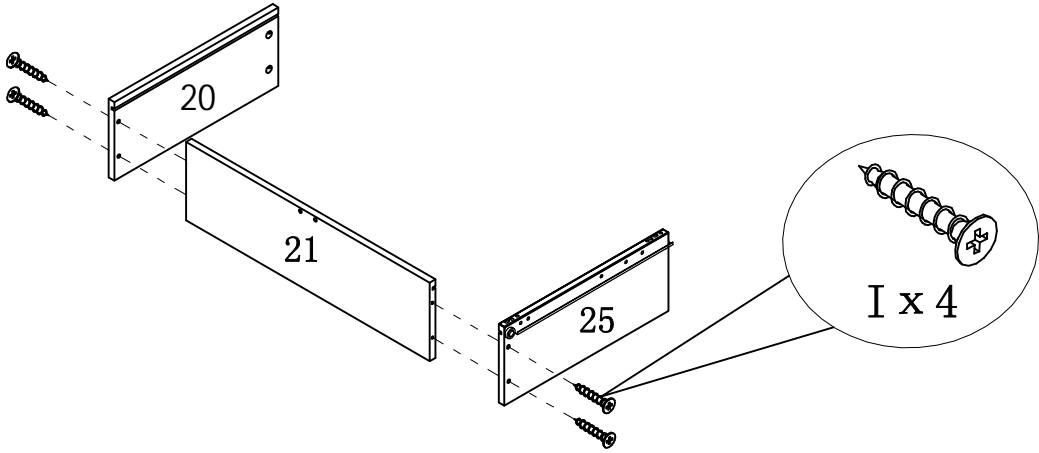
HARDWARE IDENTIFICATION

ITEM#: 161632

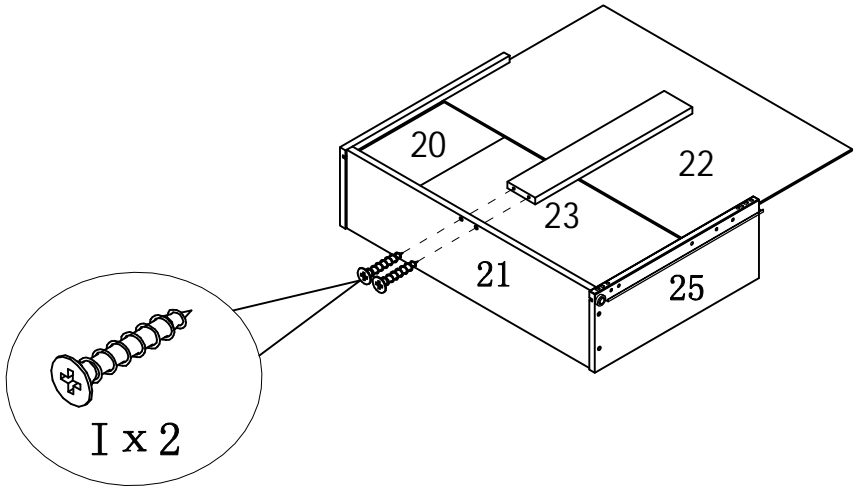
A		L29	26pcs
B		□15	26pcs
C		L20	4pcs
D		□12	4pcs
E		□8×25	22pcs
F		□6×30	2pcs
G		□4 x 16	16pcs
H		□4 x 40	4pcs
I		□4 x 30	6pcs
J		□7 x 48	4pcs
K		□8 x □16x2	8pcs
L		M8 x 30	4pcs
M		M5	1pc
N		Z1016	38pcs
O		□20 (DGY)	4pcs
P		□20 (BLK3)	13pcs
Q		□22 (BLK3)	4pcs
R		□5 x 15	16pcs
S		301C	4pcs
T		197×5×1	1pc
U		4×25	1pc
V		5×40	1pc
W		8×40	1pc
X		12×12×1	2pcs
Y		Glue: For securing please apply to wood dowel first before inserting into panel	1pc

ASSEMBLY INSTRUCTION

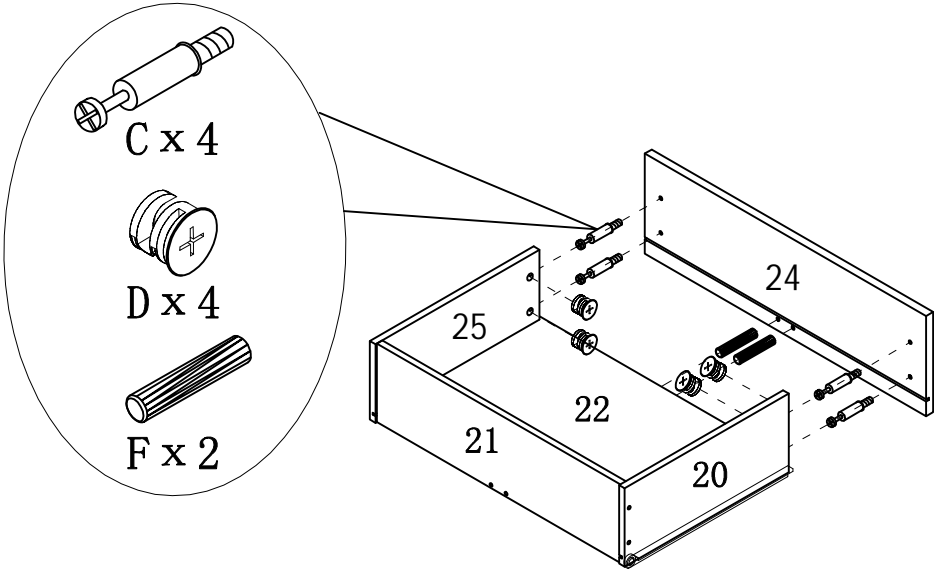
ITEM#: 161632



STEP1



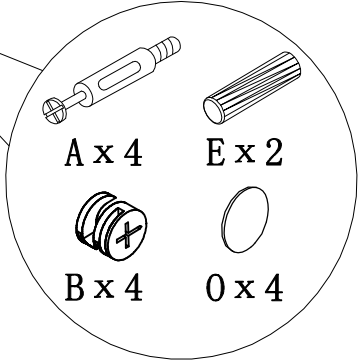
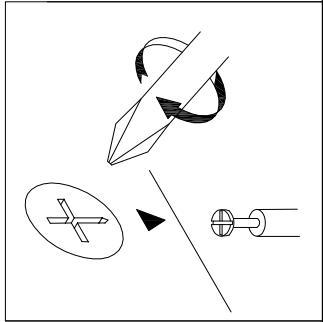
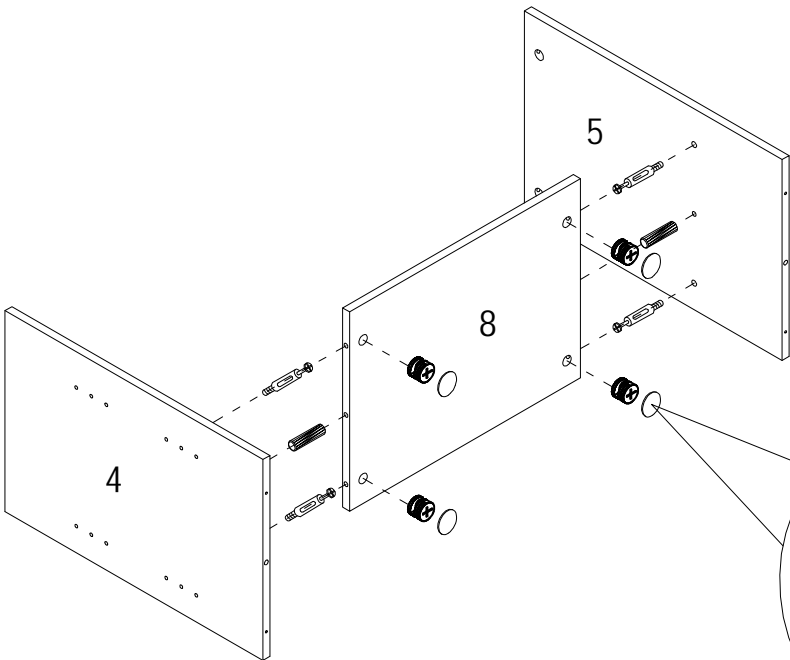
STEP2



STEP3

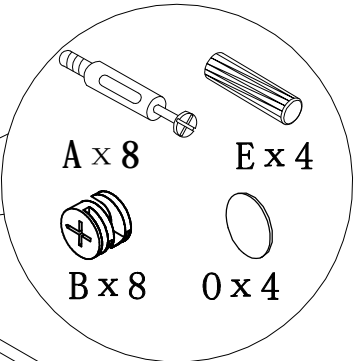
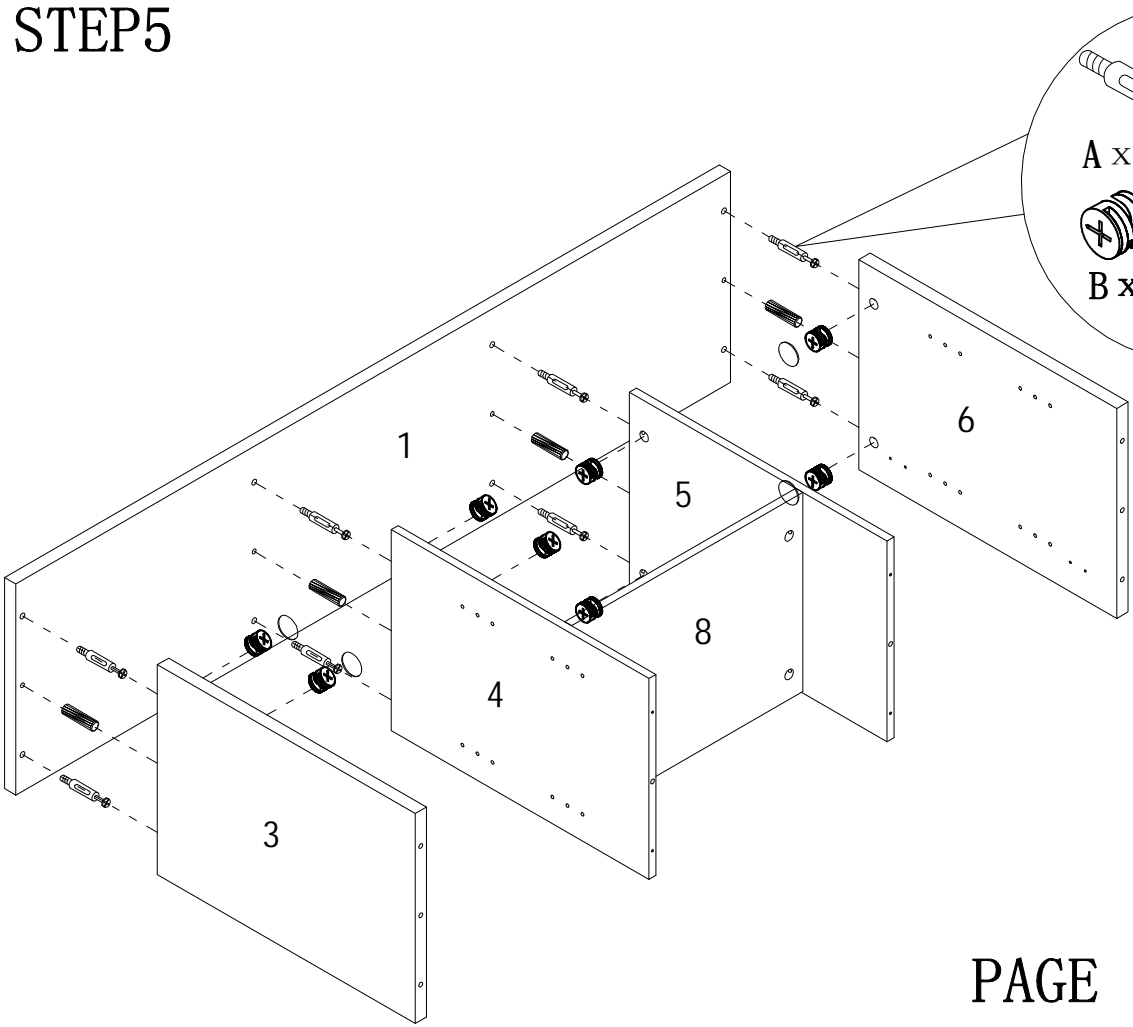
ASSEMBLY INSTRUCTION

ITEM#: 161632



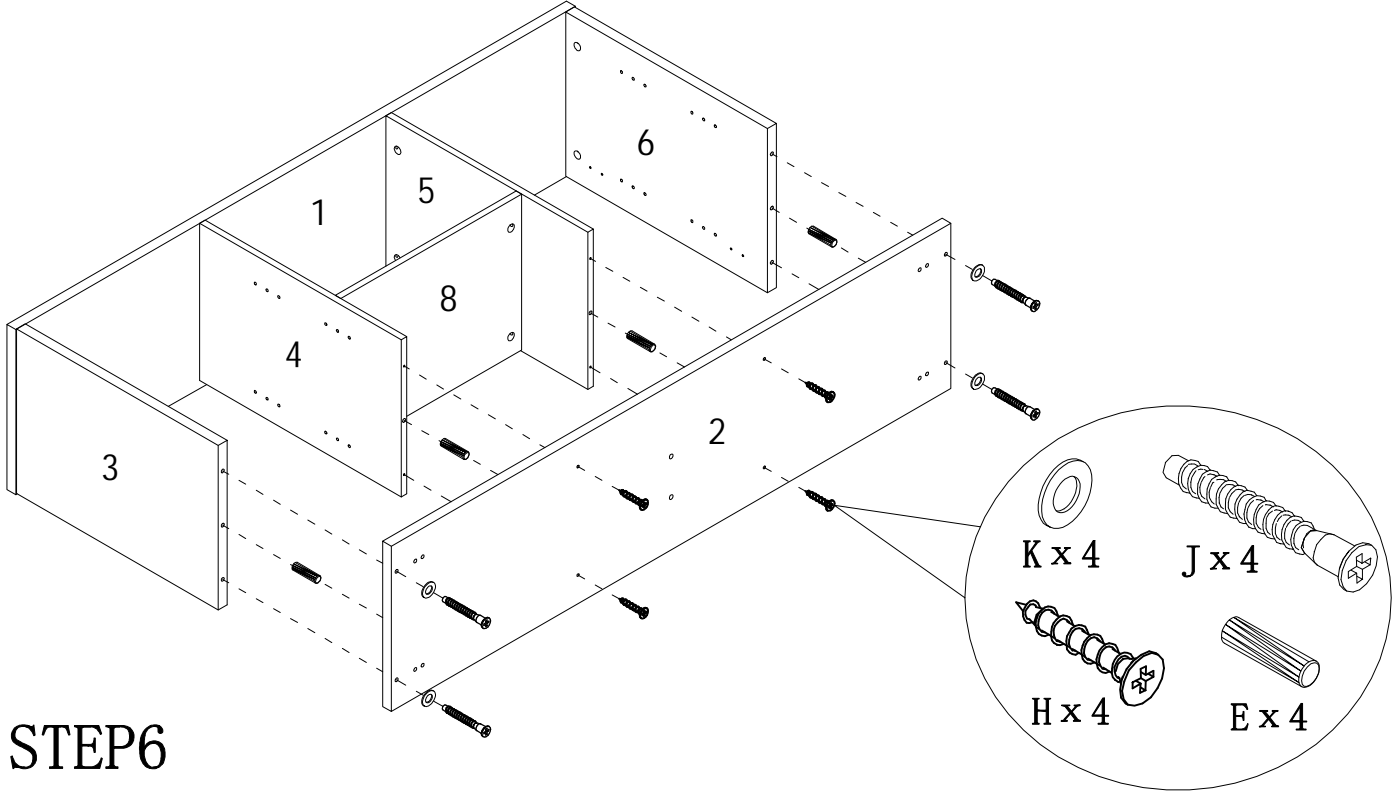
STEP 4

STEP 5



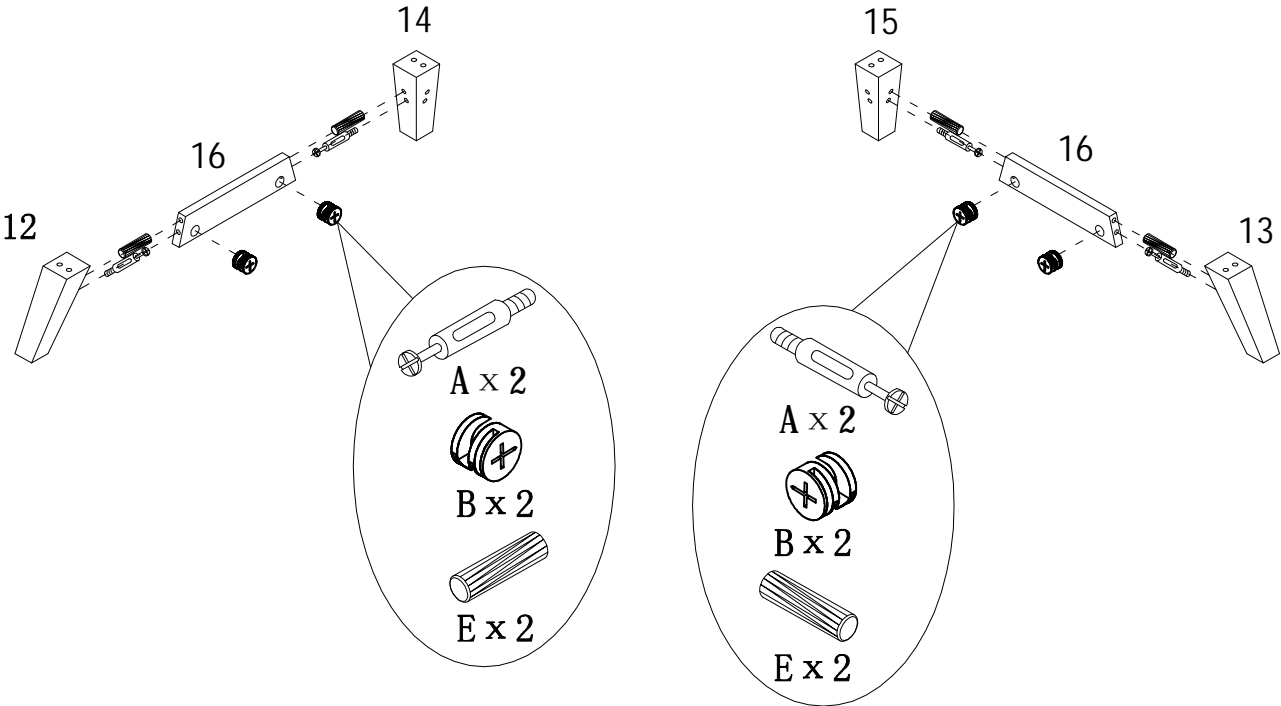
ASSEMBLY INSTRUCTION

ITEM#: 161632



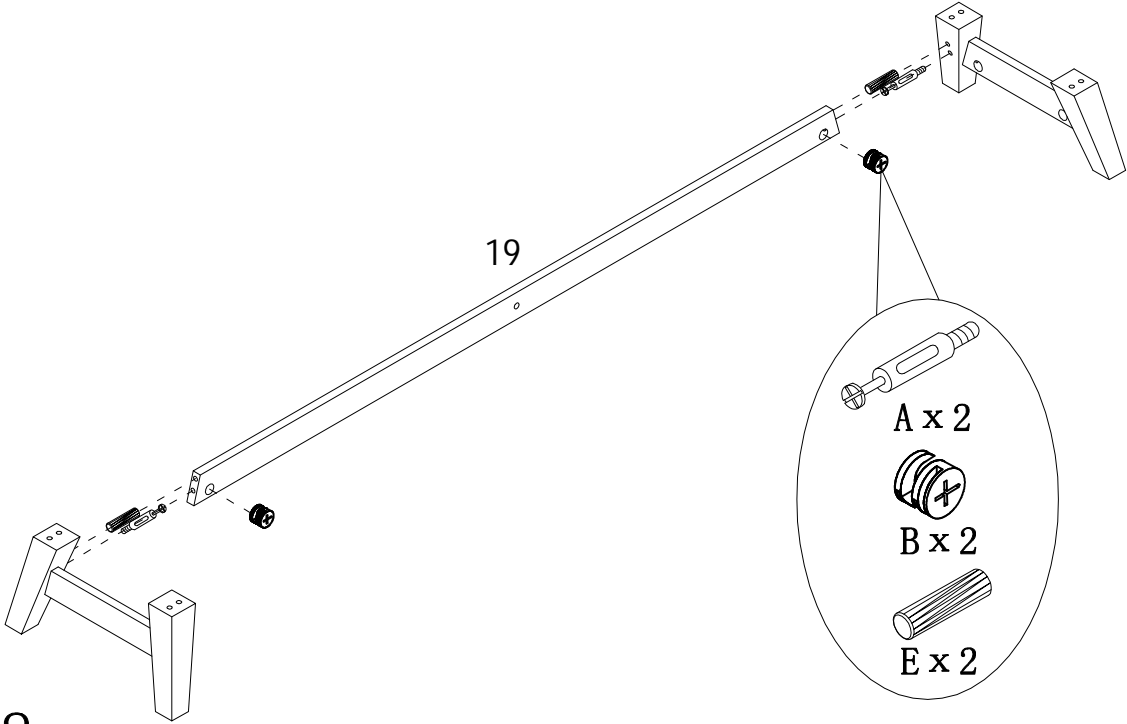
STEP6

STEP7



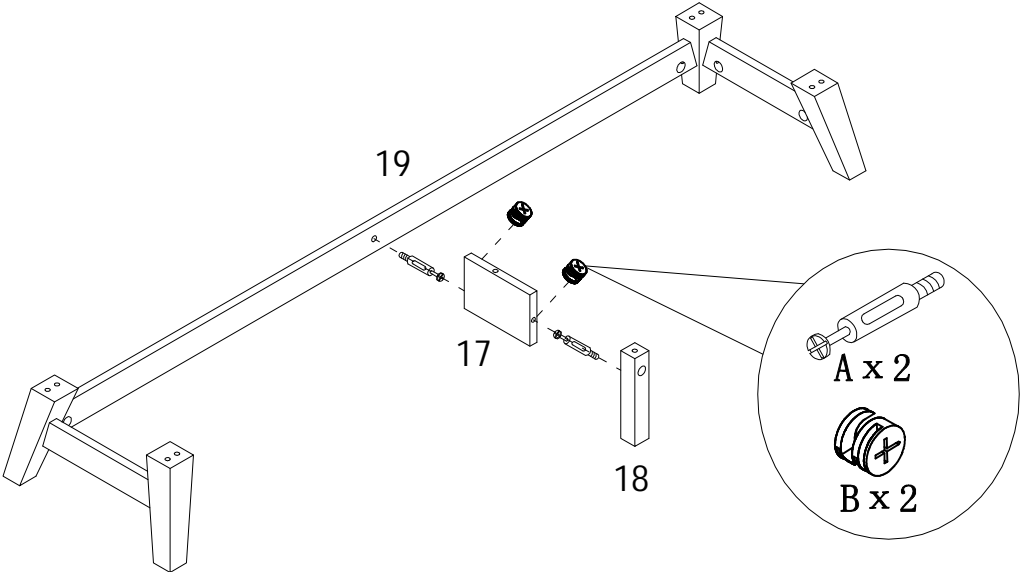
ASSEMBLY INSTRUCTION

ITEM#: 161632



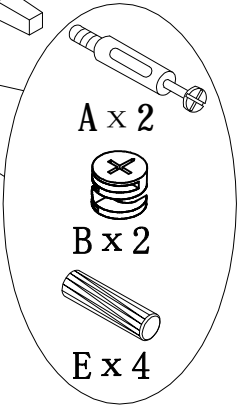
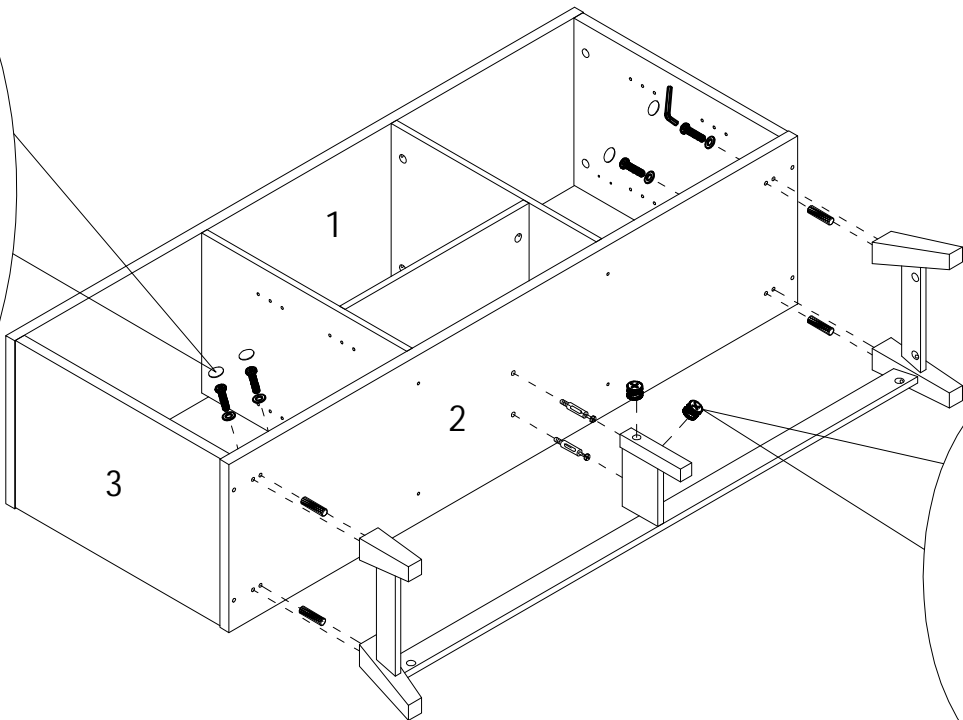
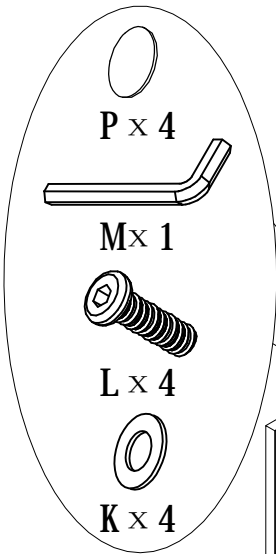
STEP8

STEP9



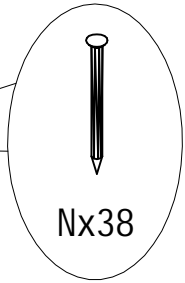
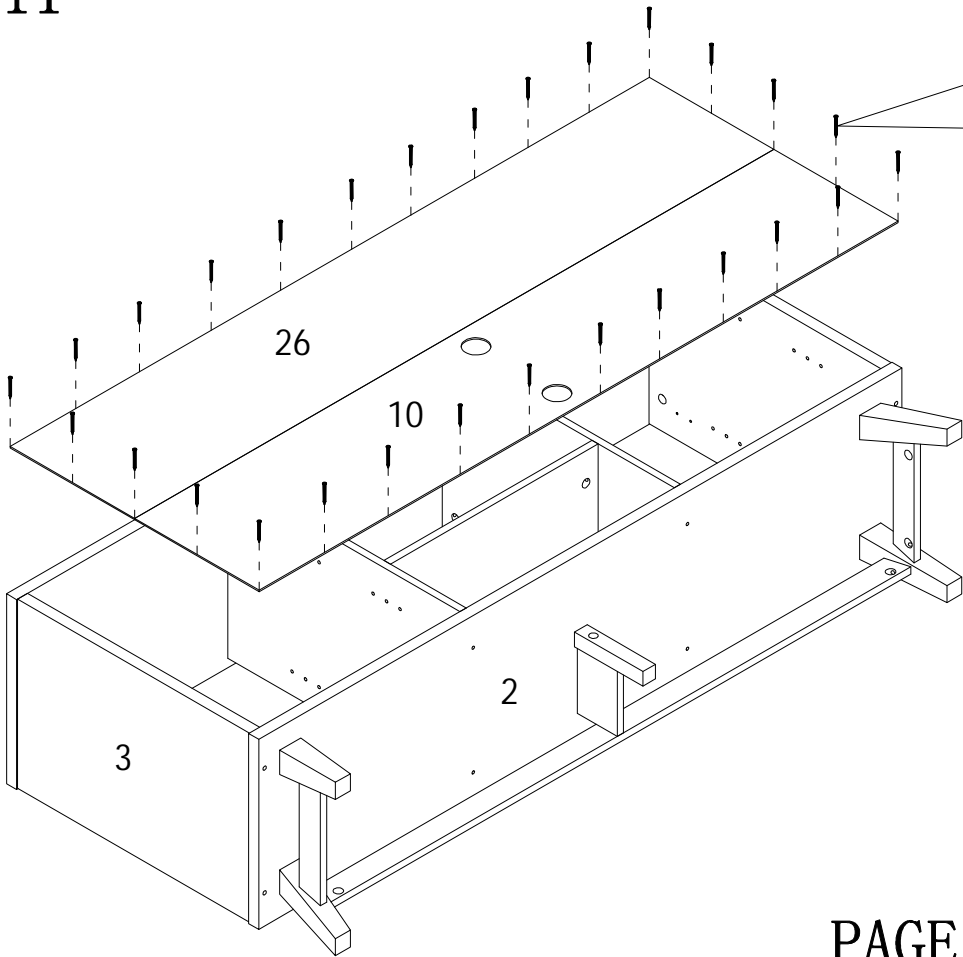
ASSEMBLY INSTRUCTION

ITEM#: 161632



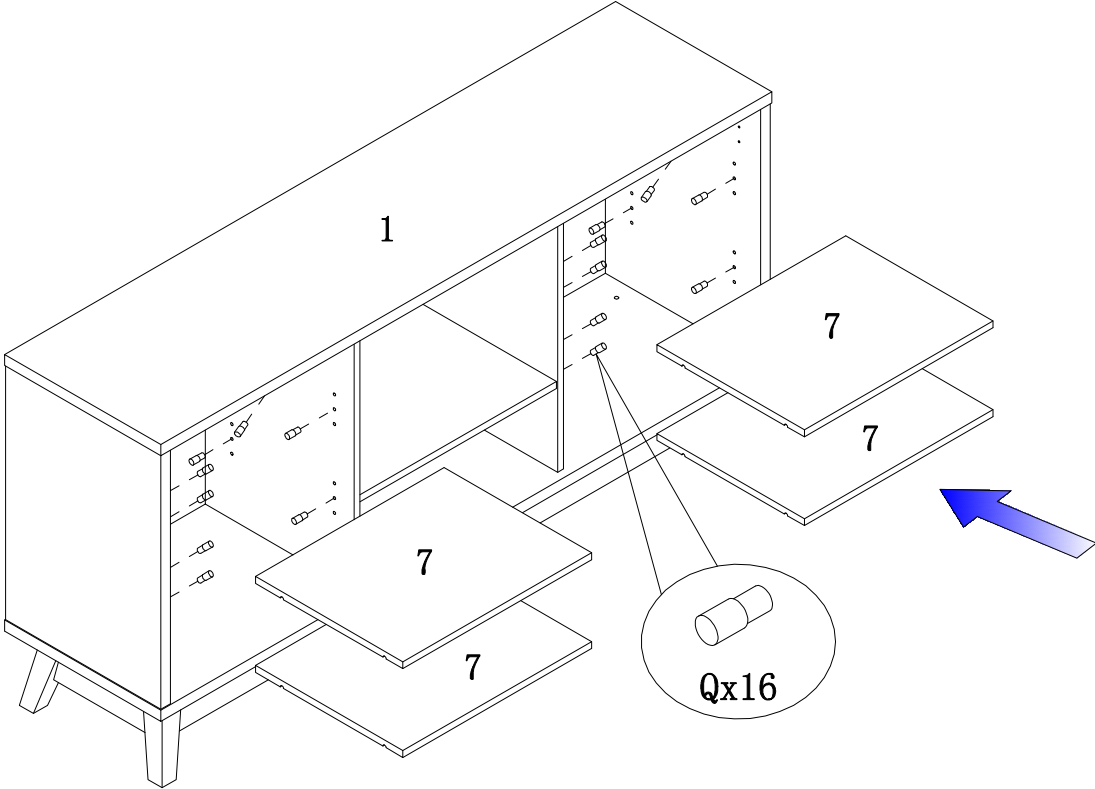
STEP 10

STEP 11



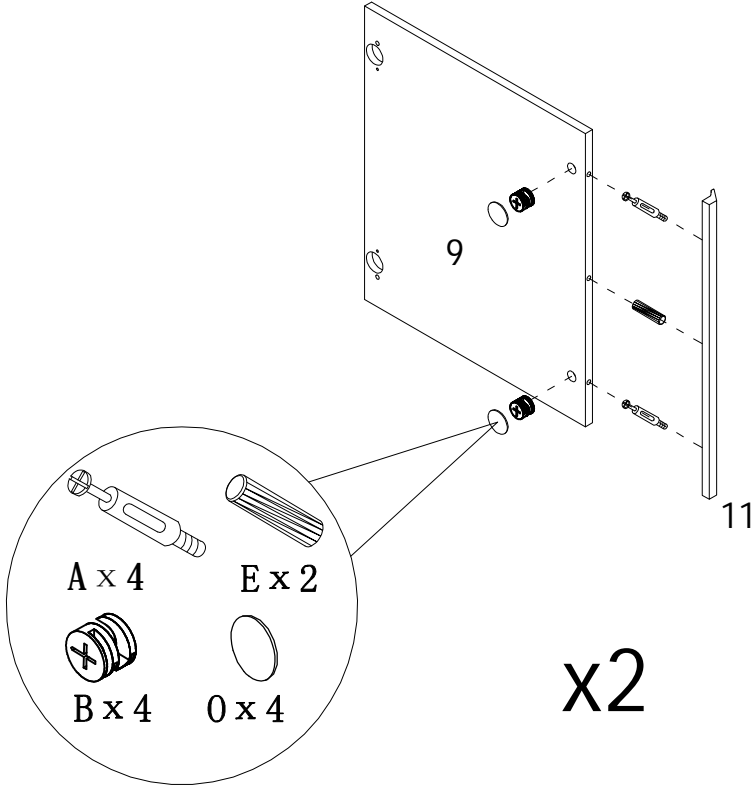
ASSEMBLY INSTRUCTION

ITEM#: 161632



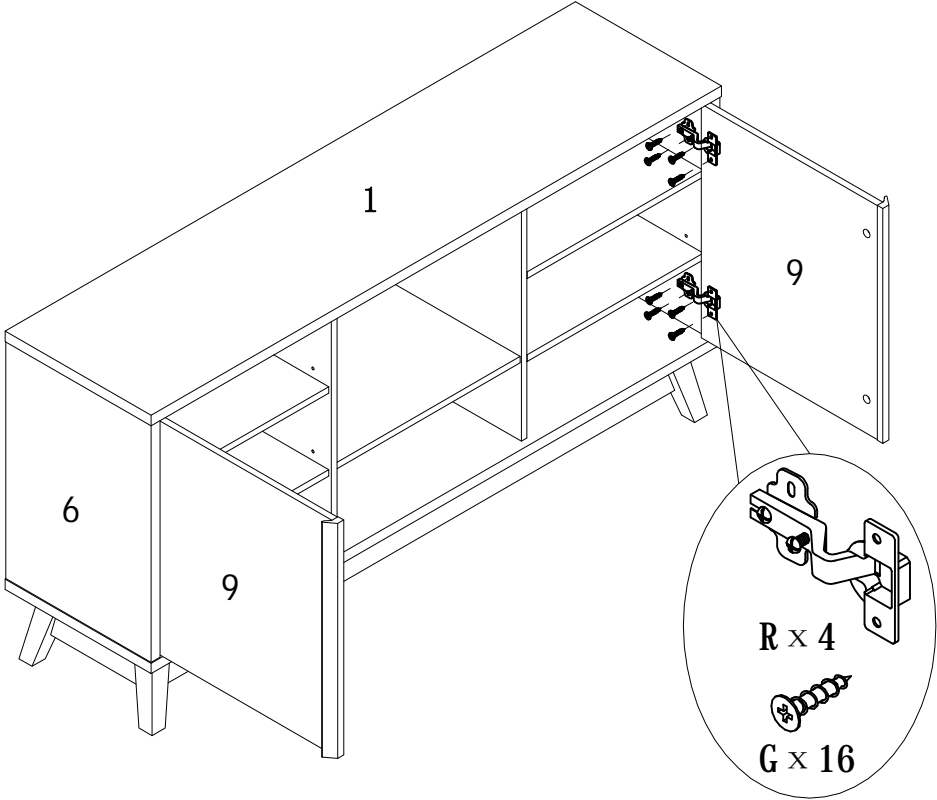
STEP12

STEP13



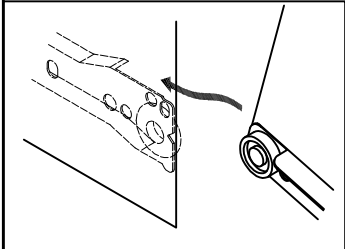
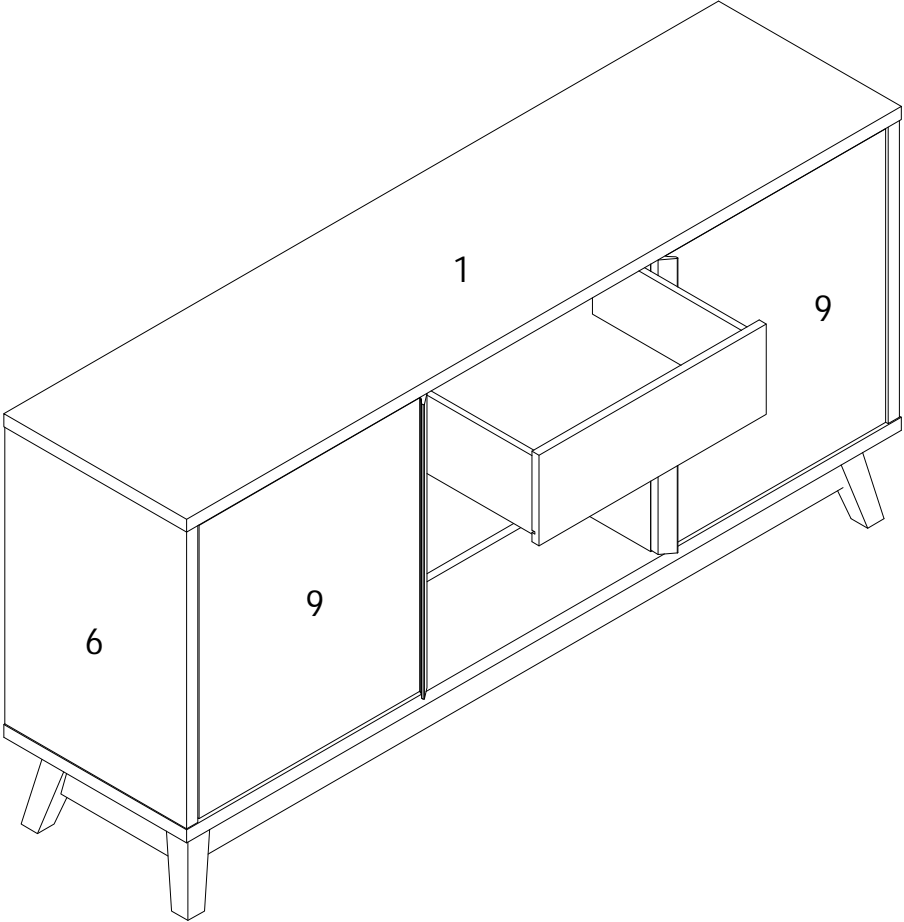
ASSEMBLY INSTRUCTION

ITEM#: 161632



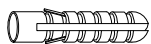
STEP 14

STEP 15

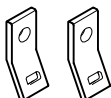


ANTI-TIPPING STRAP INSTRUCTION

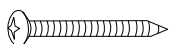
HARDWARE (INCLUDED) :



DRYWALL ANCHOR $\phi 8 \times 40$ X 1PC



METAL BRACKETS $12 \times 12 \times 1$ X 2PCS



DRYWALL SCREW $\phi 5 \times 40$ X 1PC

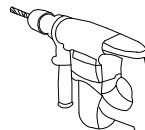


STRAP $197 \times 5 \times 1$ X 1PC



FLATHEAD SCREW $\phi 4 \times 25$ X 1PC

TOOLS NEEDED (NOT INCLUDED)



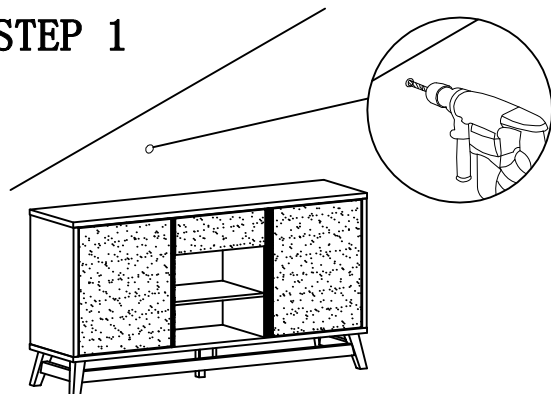
DRILL & DRILL BIT



LIGHT HAMMER

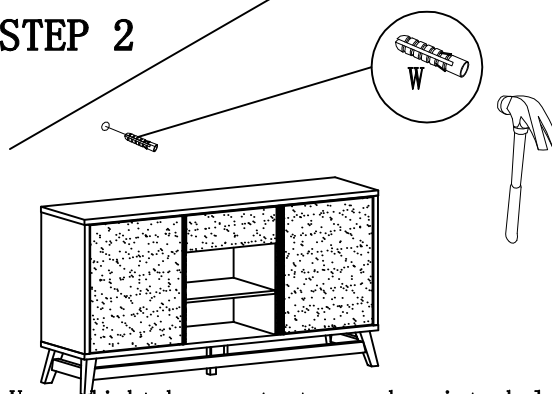
Note: Hardware included only compatible with standard drywalls.

STEP 1



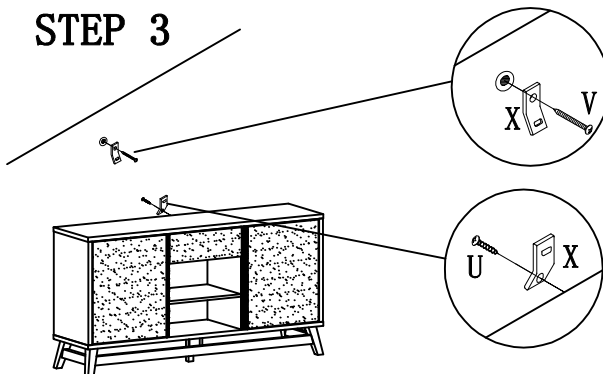
1. Find spot on wall 1" below top of item.
2. Using a drill bit slightly thinner than anchor, drill hole into drywall.

STEP 2



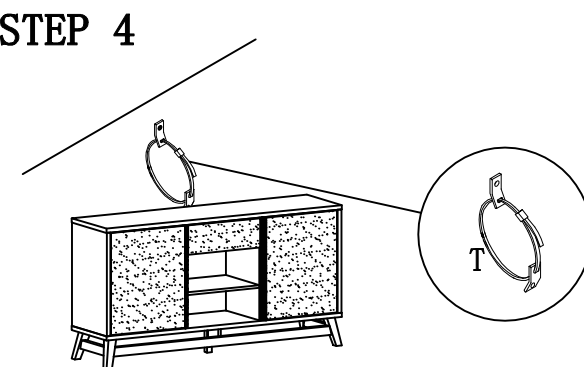
1. Use a light hammer to tap anchor into hole.
2. Anchor should fit snugly. If hole is too small, drill again to increase hole size. Do not force anchor into wall.

STEP 3



1. Insert drywall screw into metal bracket and into drywall anchor.
2. Insert flathead screw into second metal bracket and into back of item along top edge.

STEP 4



1. Insert strap thru bracket attached to wall, then thru bracket on item, and into head of strap.
 2. pull lightly til strap stops.
- Assembly is complete.