

ASSEMBLY INSTRUCTION

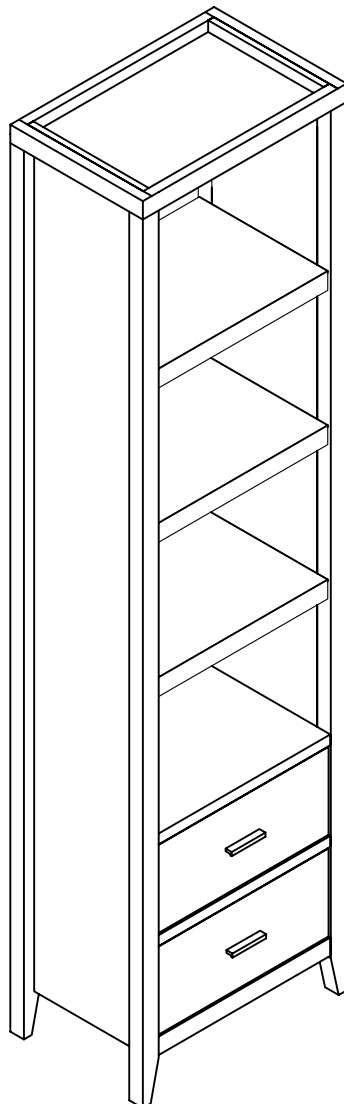
PLEASE READ BEFORE ASSEMBLING!

Tip #1: Make sure you've taken all the pieces and hardware out of its packaging before discarding the box.

Tip #2: Using page 2 and/or page 3 of instruction manual make sure all pieces and hardware are accounted for.

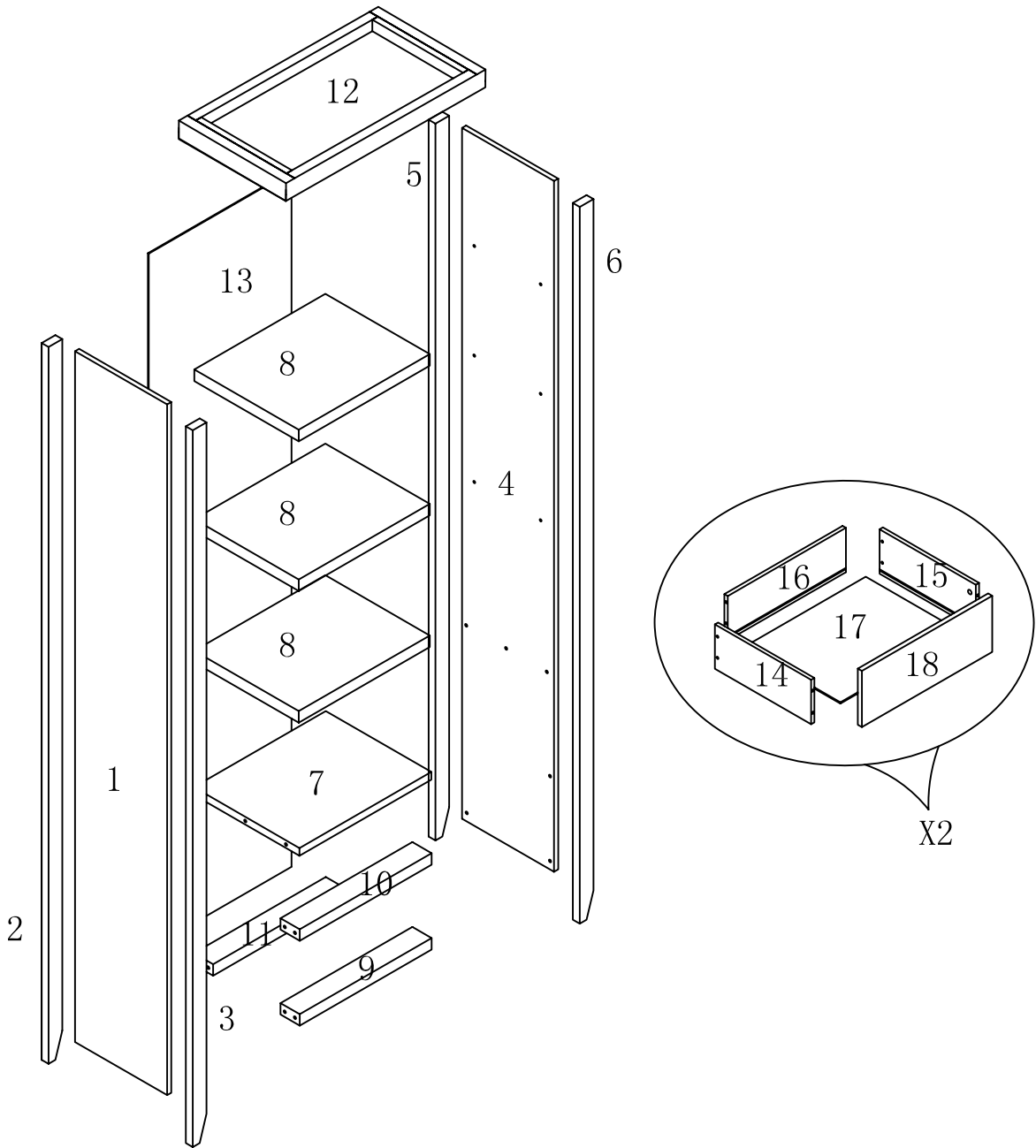
Tip #3: Read manual before assembling, it helps!

ITEM# 11457 171920



PARTS IDENTIFICATION

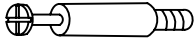


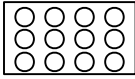

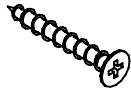
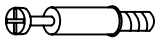

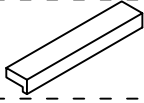

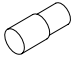
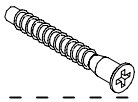

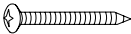
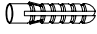
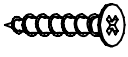

ITEM#: 11457



(1)	1pc	(5)	1pc	(9)	1pc	(13)	1pc	(16)	2pcs
(2)	1pc	(6)	1pc	(10)	1pc	(14)	2pcs	(17)	2pcs
(3)	1pc	(7)	1pc	(11)	1pc	(15)	2pcs	(18)	2pcs
(4)	1pc	(8)	3pcs	(12)	1pc				

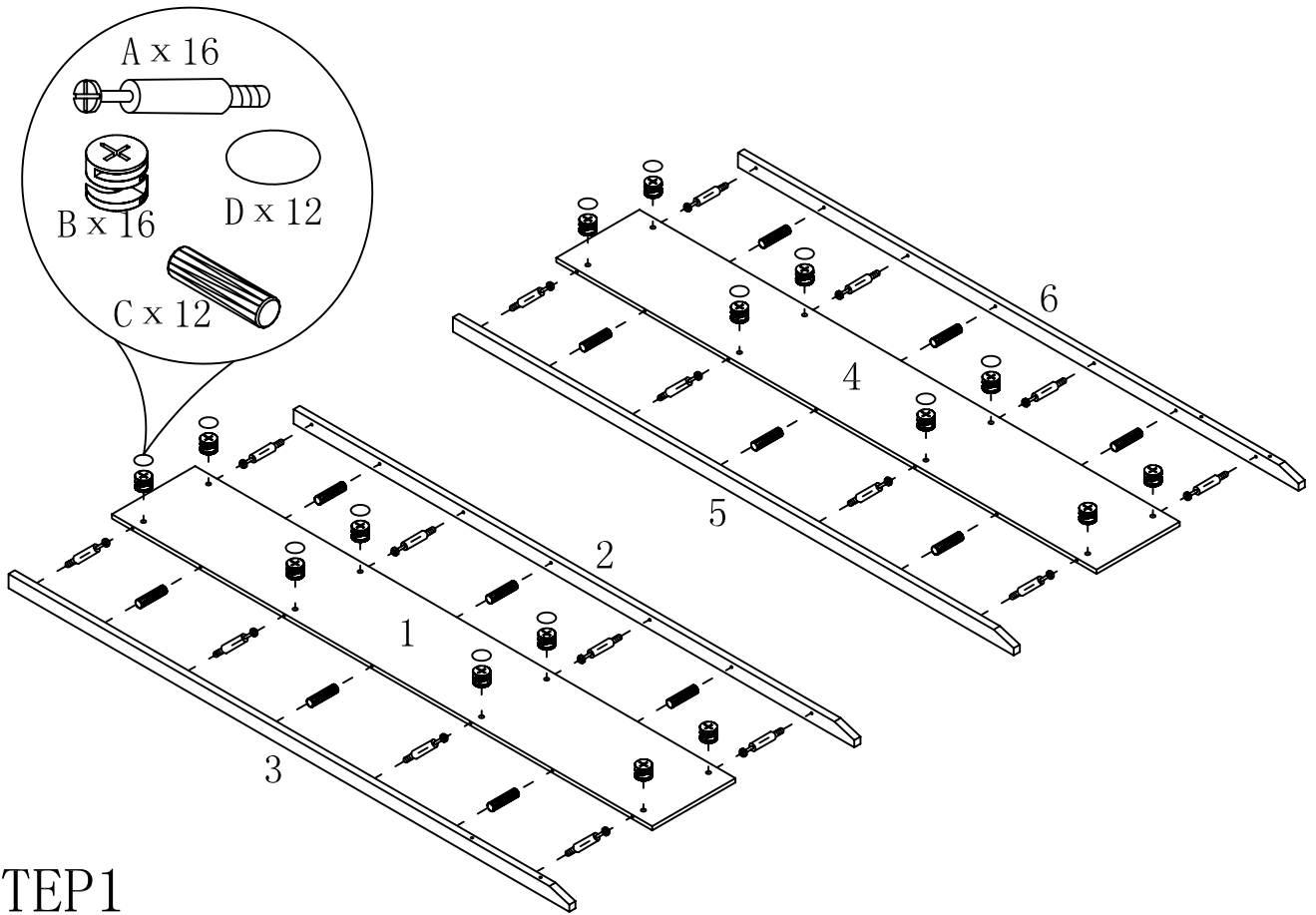
HARDWARE IDENTIFICATION

ITEM#: 11457

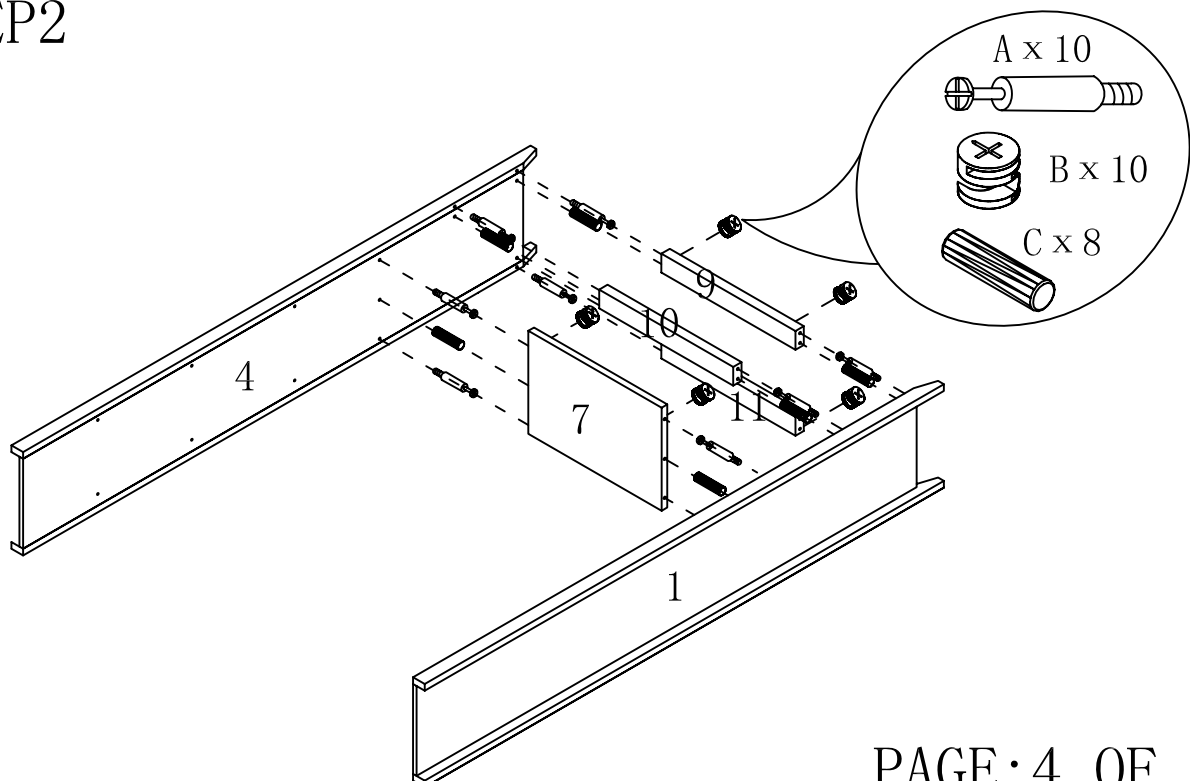
A		L29	26pcs
B		∅15	26pcs
C		∅8 x 25	22pcs
D		∅18	12pcs
E			24pcs
F		∅4 x 30	8pcs
G		L20	8pcs
H		∅12	8pcs
I		96	2pcs
J		∅4 x 22	4pcs
K		∅5	12pcs
L		∅7 x 58	4pcs
M			1pc
N		∅5 x 40	1pc
O			1pc
P		∅4 x 25	1pc
Q		Glue: For securing please apply to wood dowel first before inserting into panel	1pc

ASSEMBLY INSTRUCTION

ITEM#: 11457

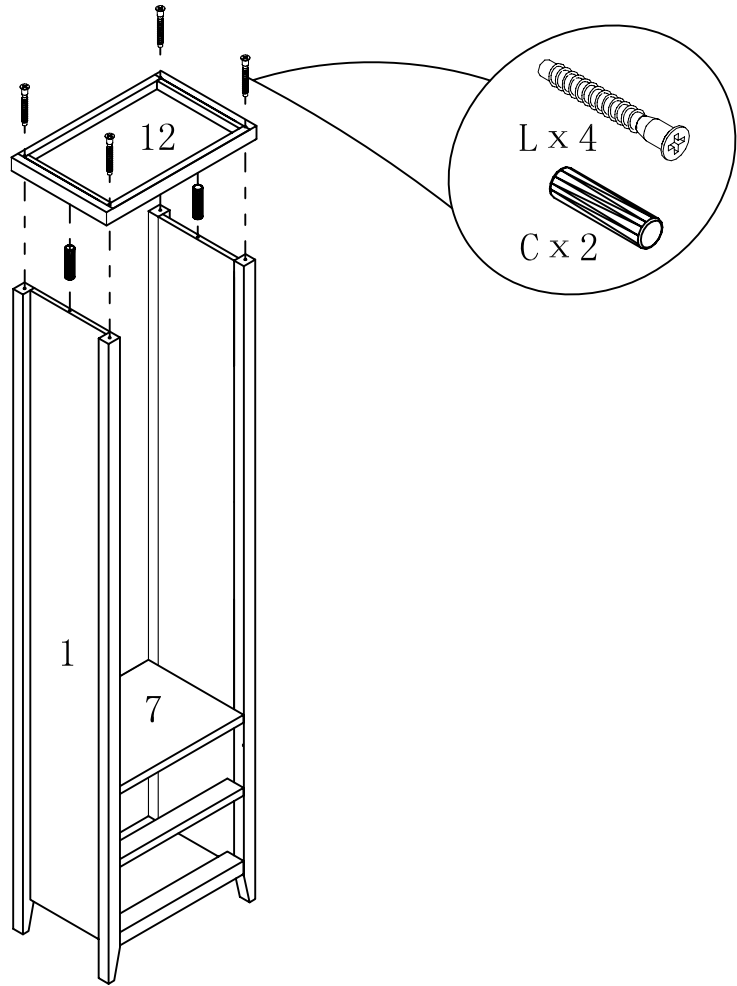


STEP 2



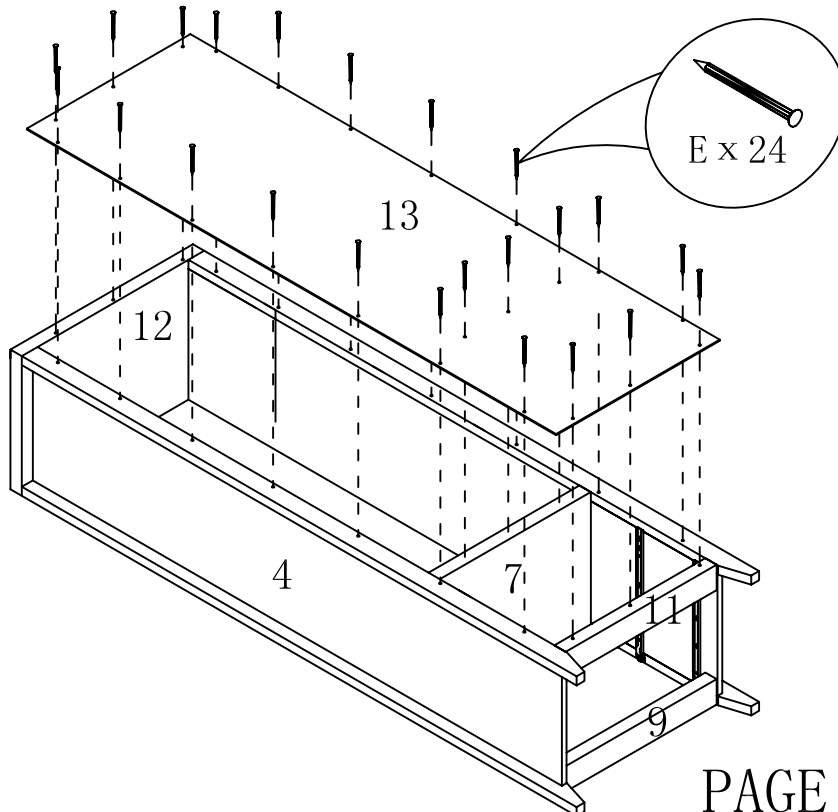
ASSEMBLY INSTRUCTION

ITEM#: 11457



STEP3

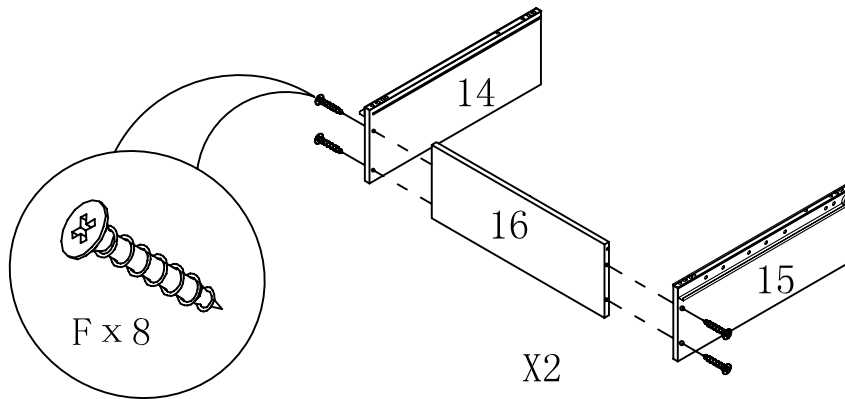
STEP4



PAGE: 5 OF 7

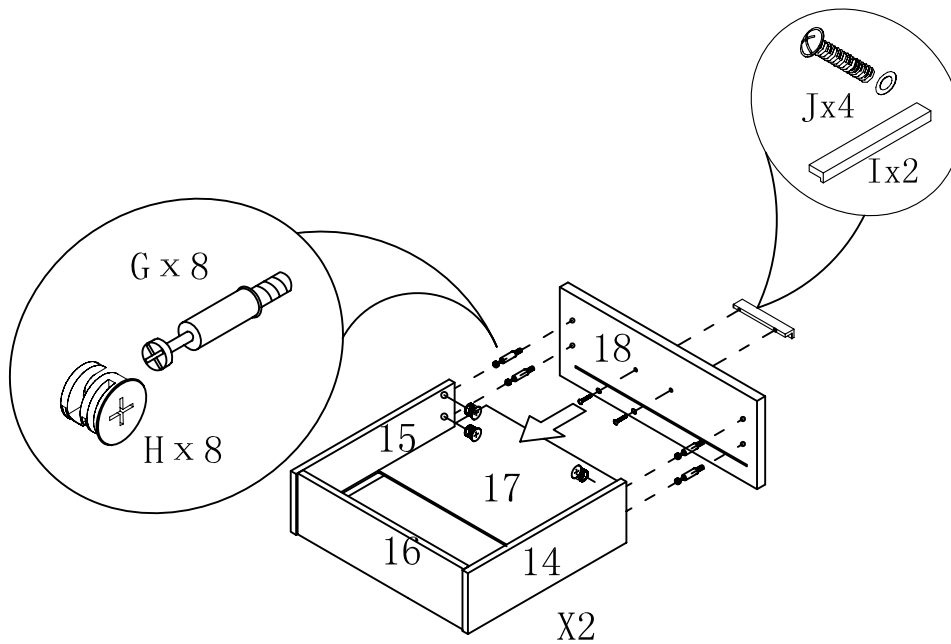
ASSEMBLY INSTRUCTION

ITEM#: 11457



STEP5

STEP6



ASSEMBLY INSTRUCTION

ITEM#: 11457

STEP 7

