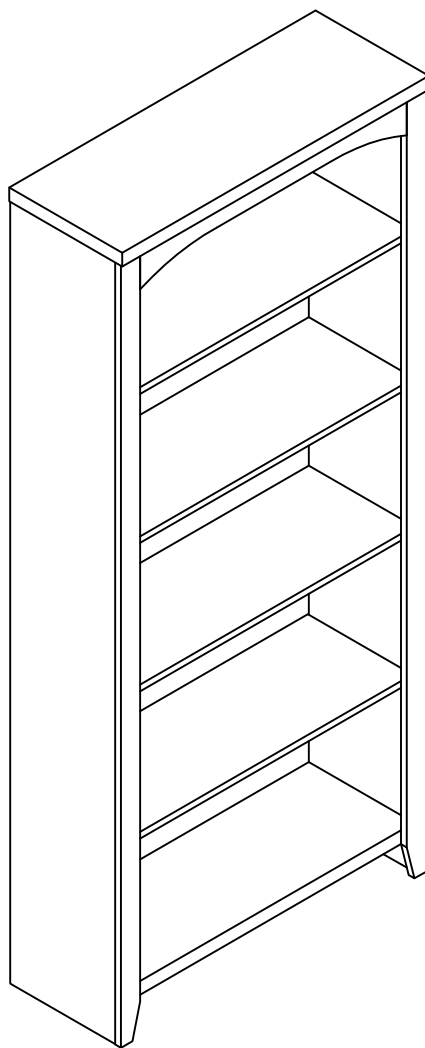


ASSEMBLY I NSTRUCTION

ITEM#:12569 161532 161574



ASSEMBLY INSTRUCTION

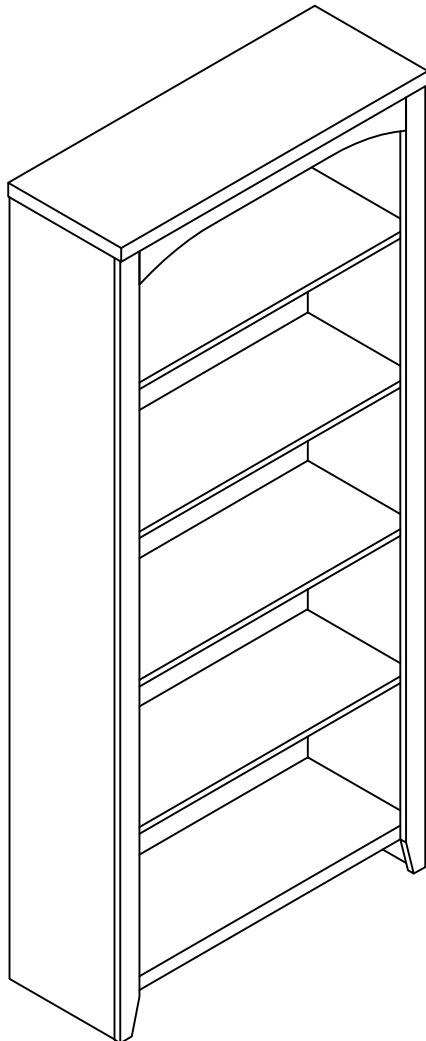
PLEASE READ BEFORE ASSEMBLING!

Tip #1: Make sure you've taken all the pieces and hardware out of its packaging before discarding the box.

Tip #2: Using page 2 and/or page 3 of instruction manual make sure all pieces and hardware are accounted for.

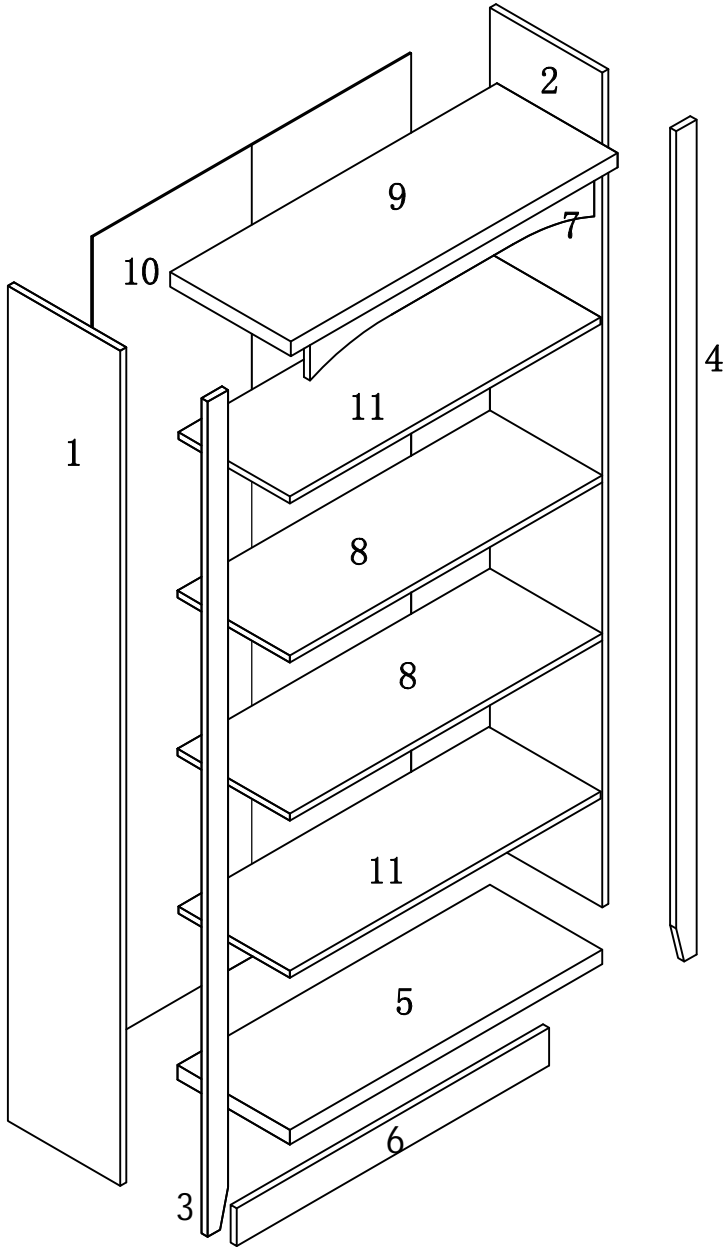
Tip #3: Read manual before assembling, it helps!

ITEM#: 12569 161532 161574



PARTS IDENTIFICATION




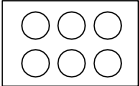


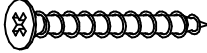



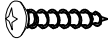

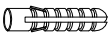

ITEM#: 12569 161532 161574



(1)	1pc	(6)	1pc	(11)	2pcs
(2)	1pc	(7)	1pc		
(3)	1pc	(8)	2pcs		
(4)	1pc	(9)	1pc		
(5)	1pc	(10)	1pc		

HARDWARE IDENTIFICATION

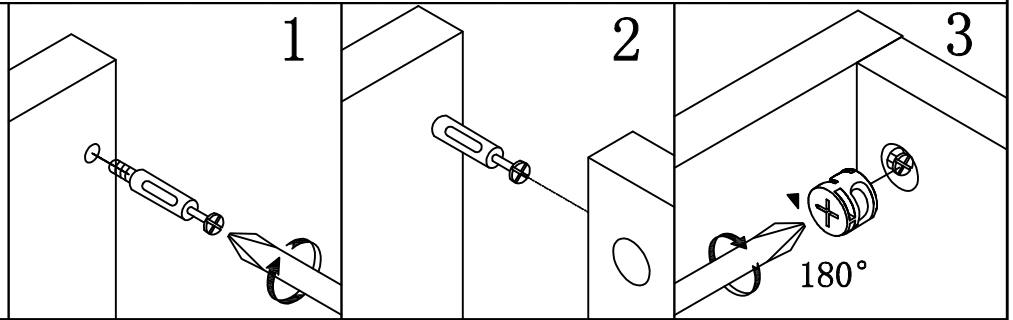
ITEM#: 12569 161532 161574

A		L29	23pcs
B		∅15	23pcs
C		∅8×25	19pcs
D		∅18	8pcs
E		∅5	8pcs
F		Z1016	40pcs
G		∅4×50	6pcs
H		∅16	5pcs
I		197×5×1	1pc
J		12×12×1	2pcs
K		∅4x25	1pc
L		∅5x40	1pc
M		∅8x40	1pc
N		Glue: For securing please apply to wood dowel first before inserting into panel	1pc

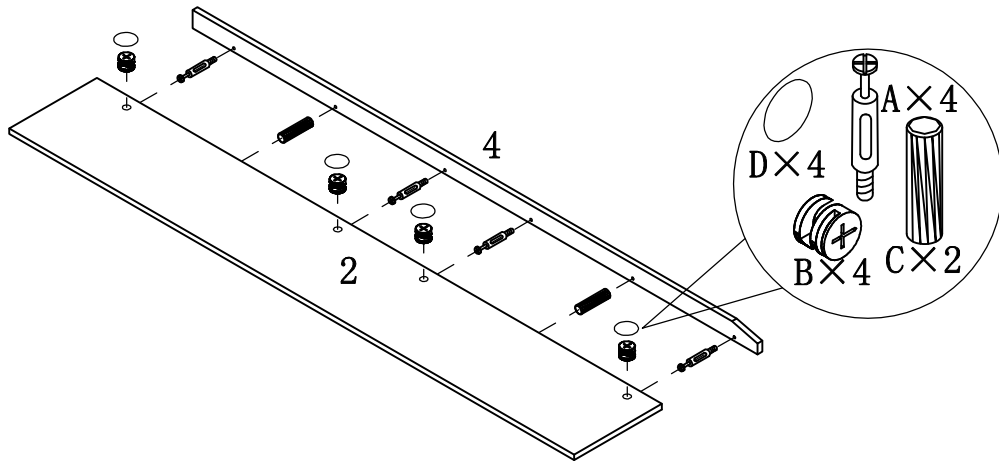
ASSEMBLY INSTRUCTION

ITEM#:12569 161532 161574

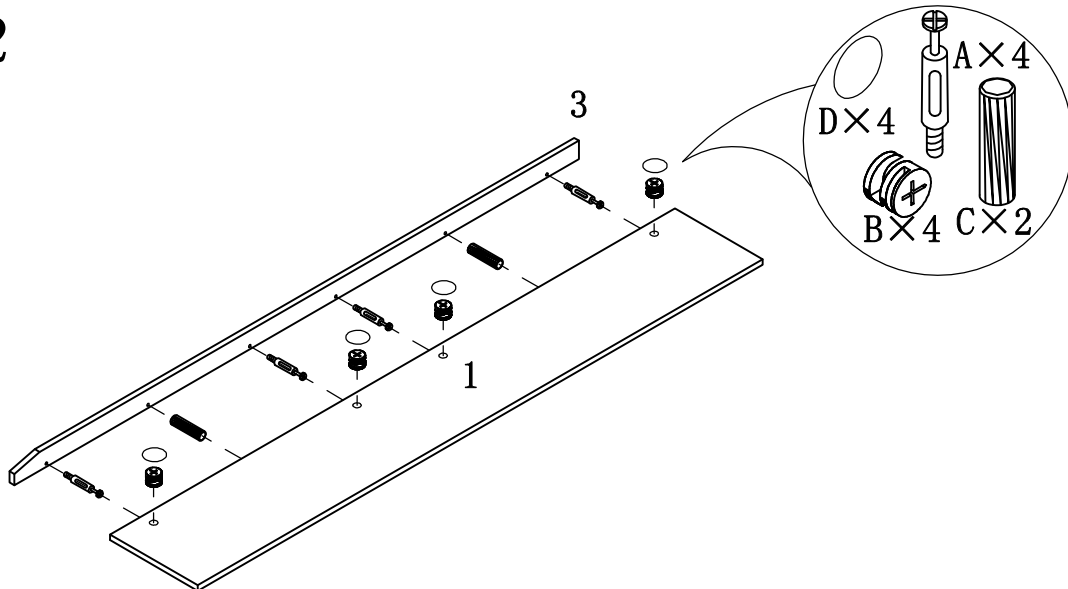
HOW TO



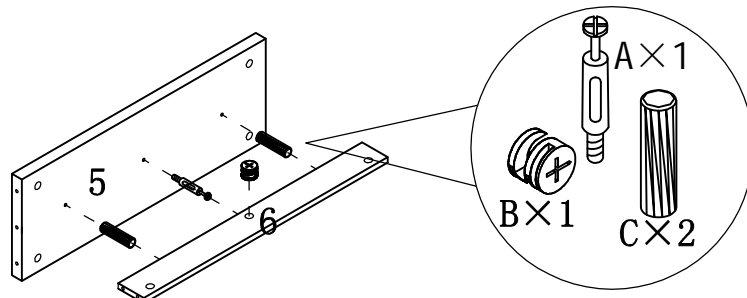
STEP 1



STEP 2

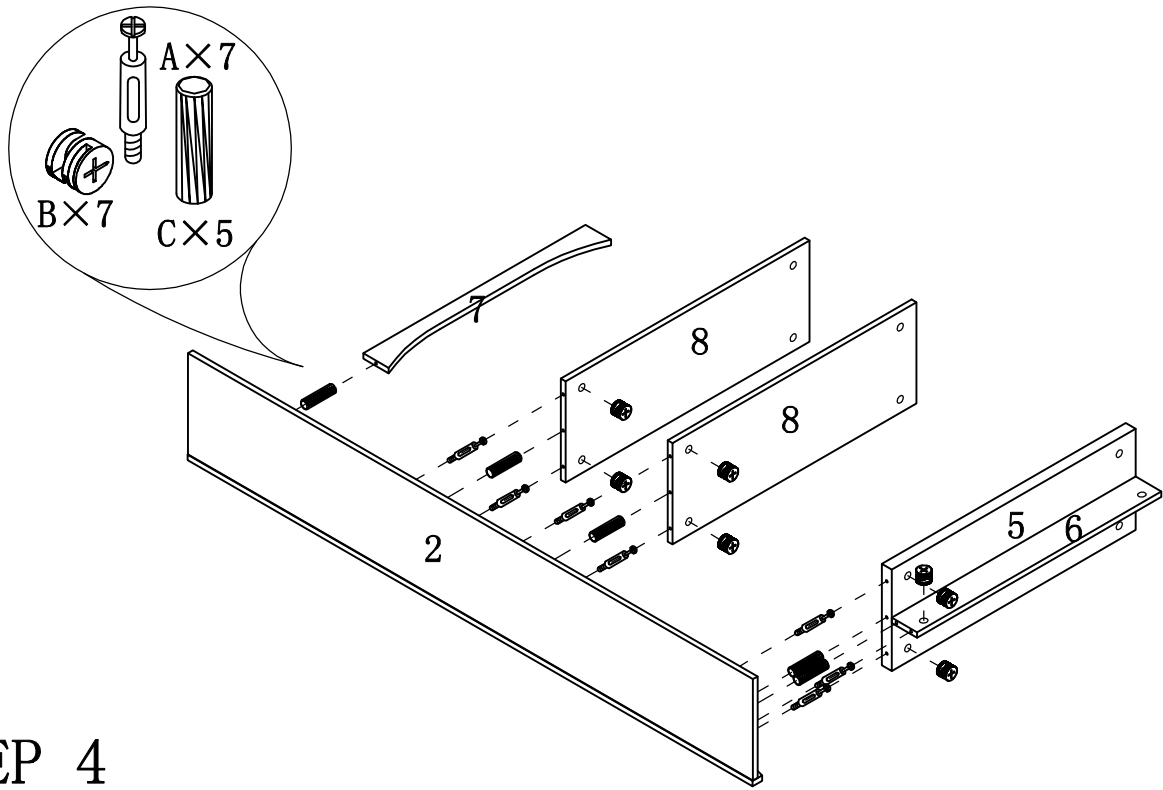


STEP 3



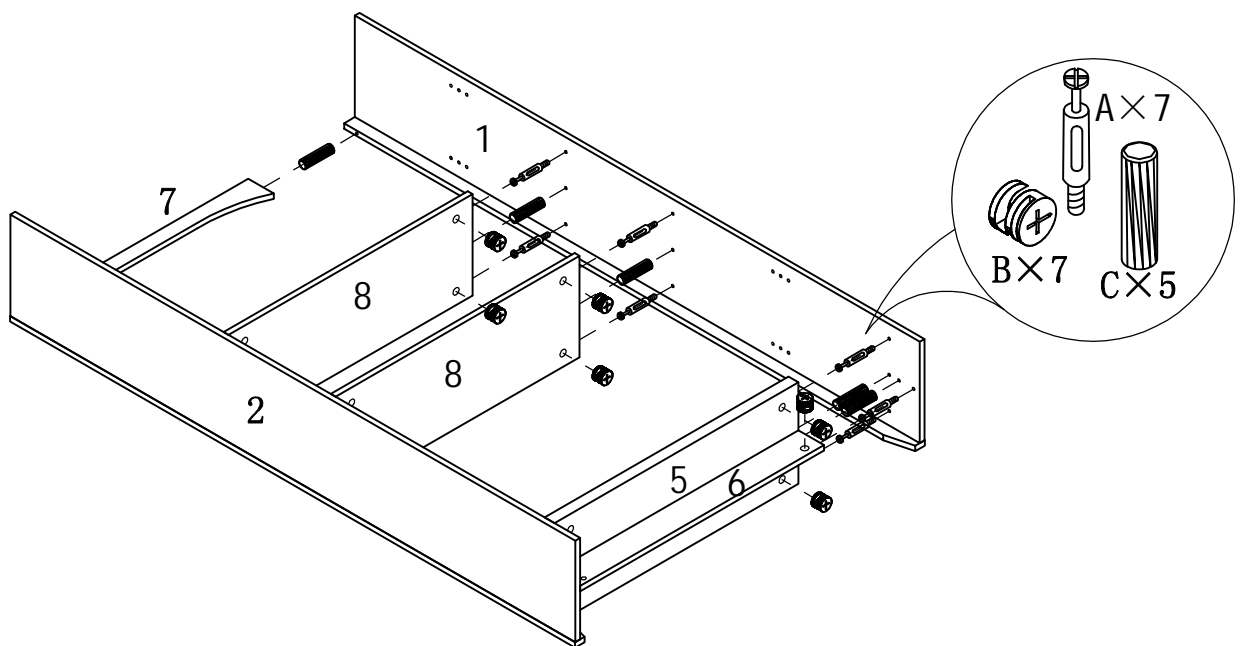
ASSEMBLY INSTRUCTION

ITEM#: 12569 161532 161574



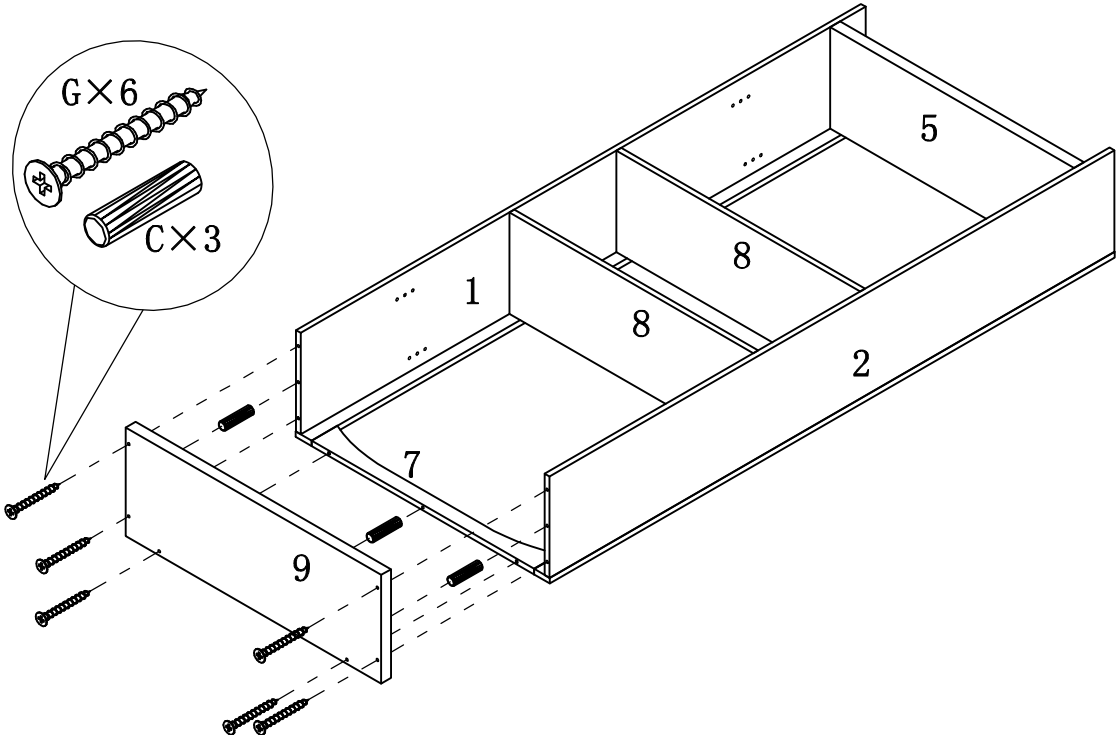
STEP 4

STEP 5



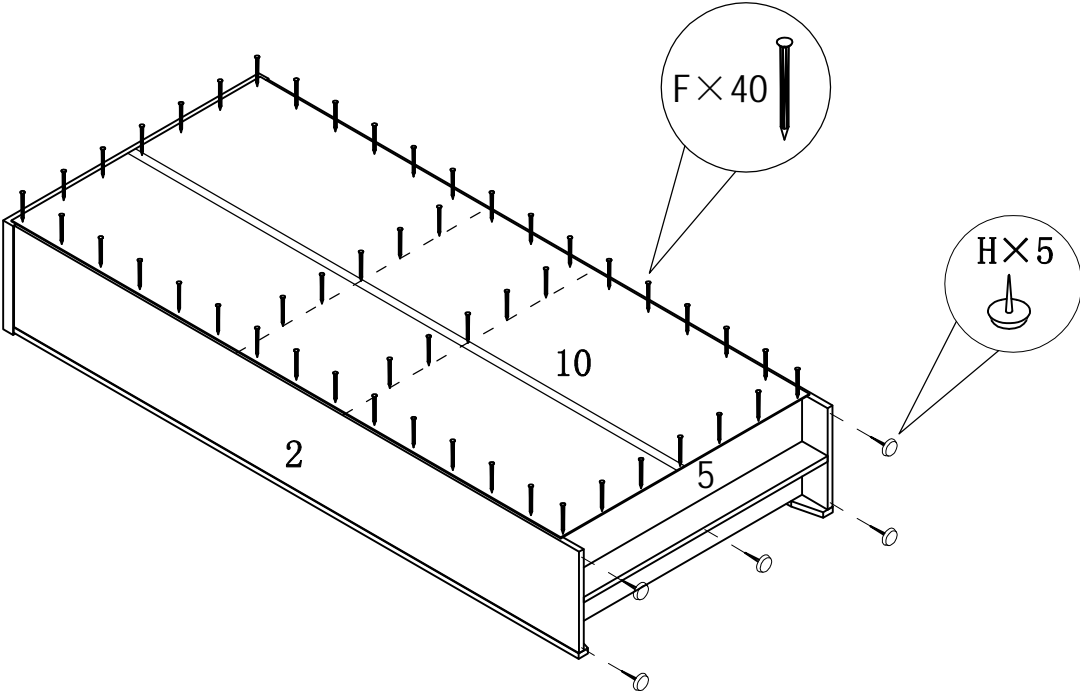
ASSEMBLY INSTRUCTION

ITEM#: 12569 161532 161574



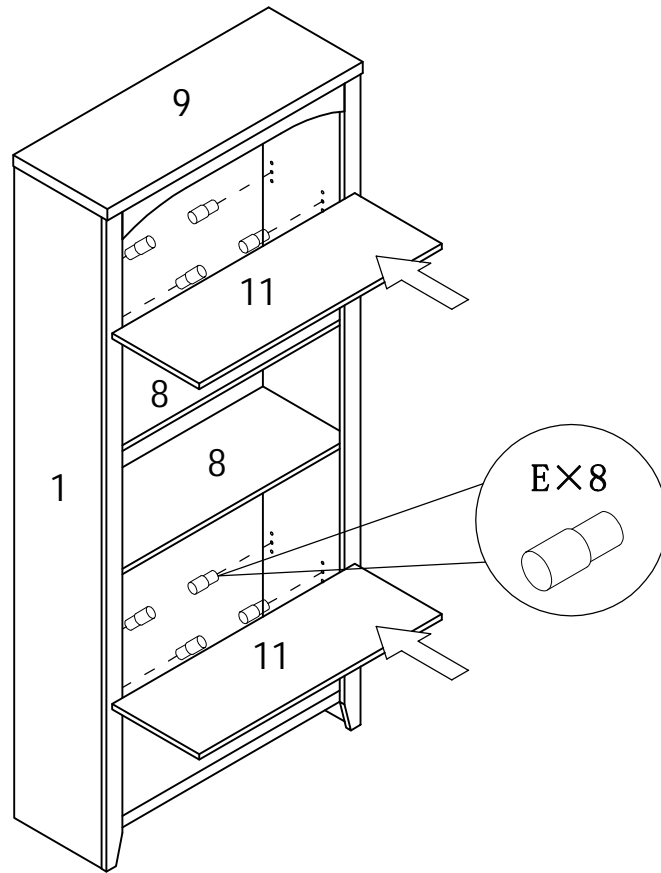
STEP 6

STEP 7



ASSEMBLY INSTRUCTION

ITEM#: 12569 161532 161574



STEP 8

STEP 9

