

ASSEMBLY INSTRUCTION

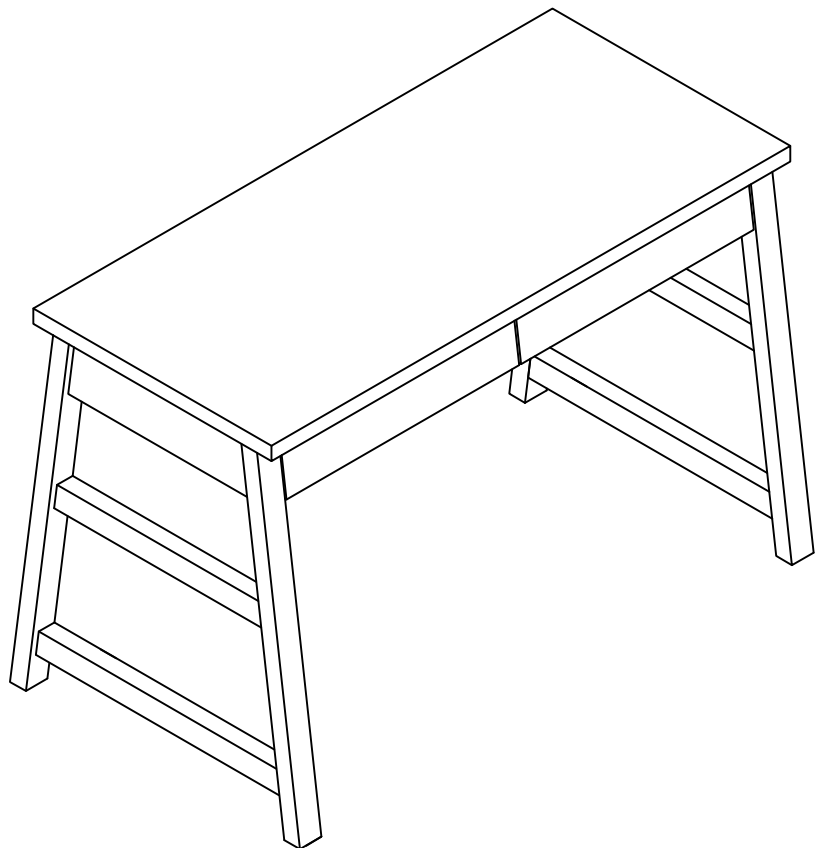
PLEASE READ BEFORE ASSEMBLING!

Tip #1: Make sure you've taken all the pieces and hardware out of its packaging before discarding the box.

Tip #2: Using page 2 and/or page 3 of instruction manual make sure all pieces and hardware are accounted for.

Tip #3: Read manual before assembling, it helps!

ITEM#: 13725

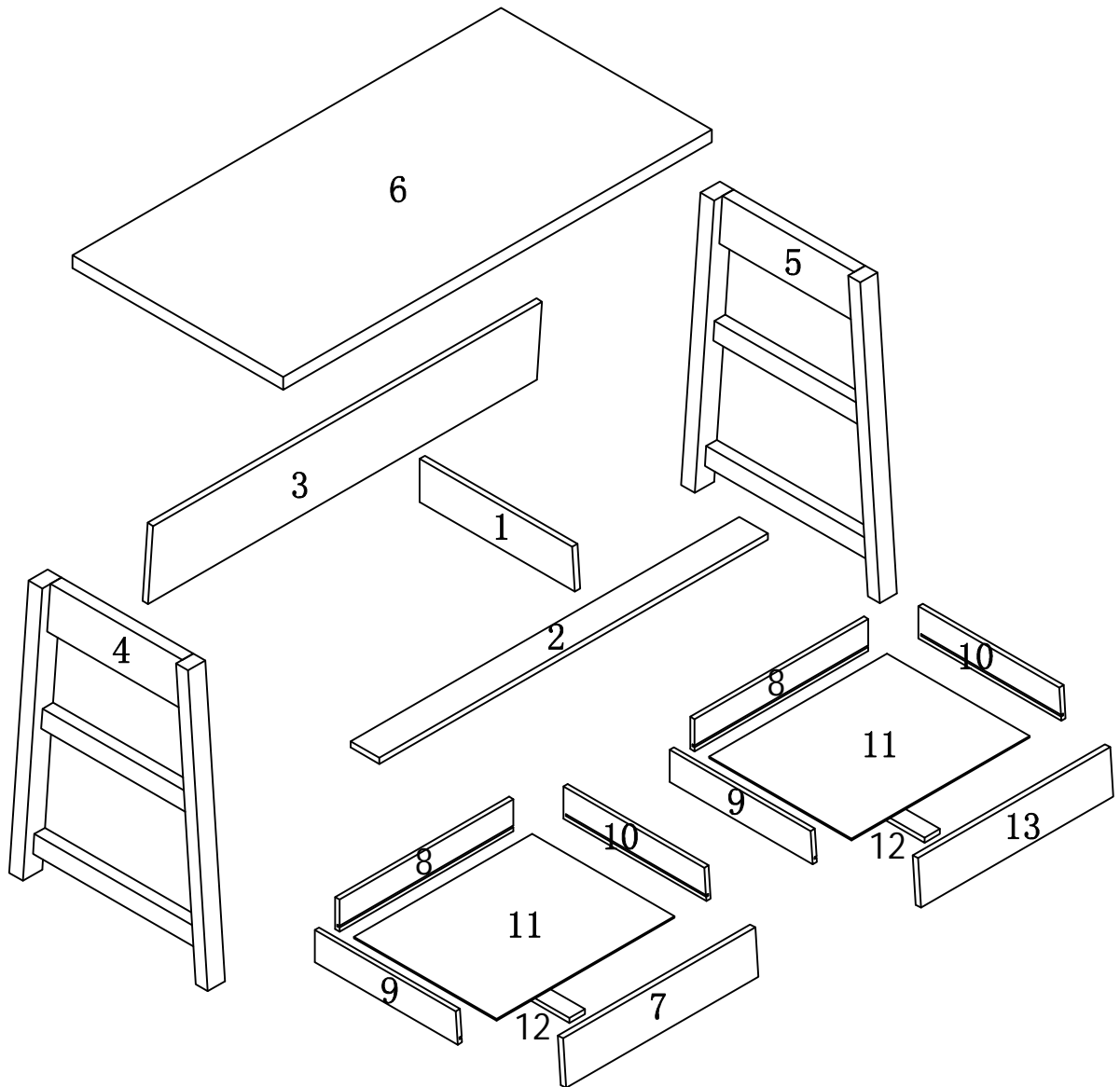


Need some help?
Scan here for
assembly video.



PARTS IDENTIFICATION

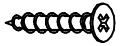
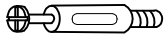

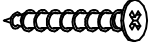

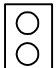
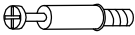




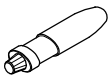
ITEM#: 13725



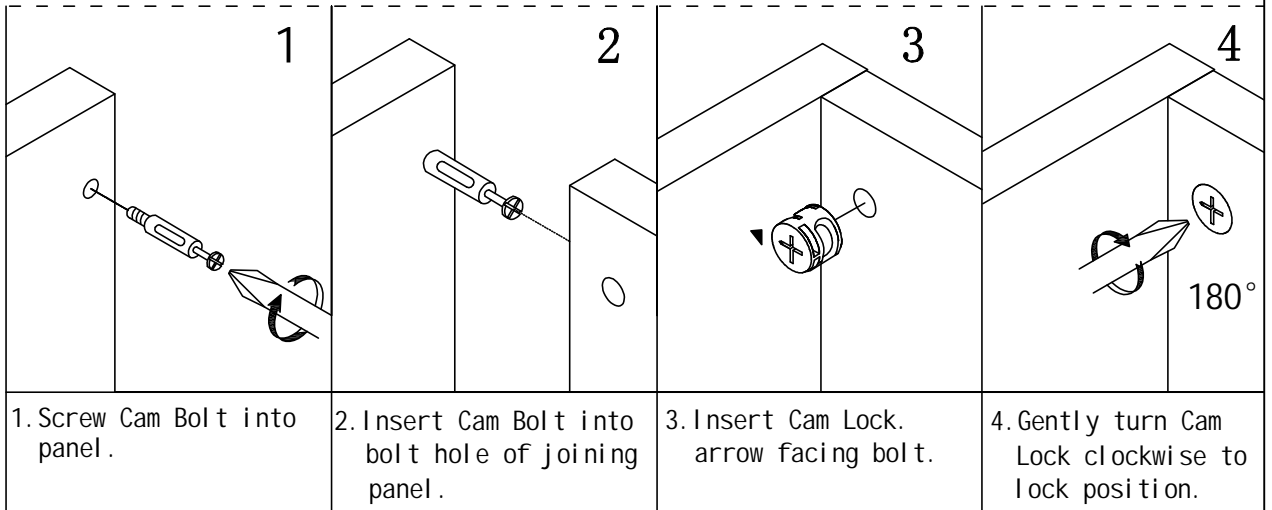
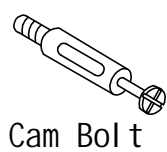
(1)	1pc	(8)	2pcs
(2)	1pc	(9)	2pcs
(3)	1pc	(10)	2pcs
(4)	1pc	(11)	2pcs
(5)	1pc	(12)	2pcs
(6)	1pc	(13)	1pc
(7)	1pc		

HARDWARE IDENTIFICATION

ITEM#: 13725

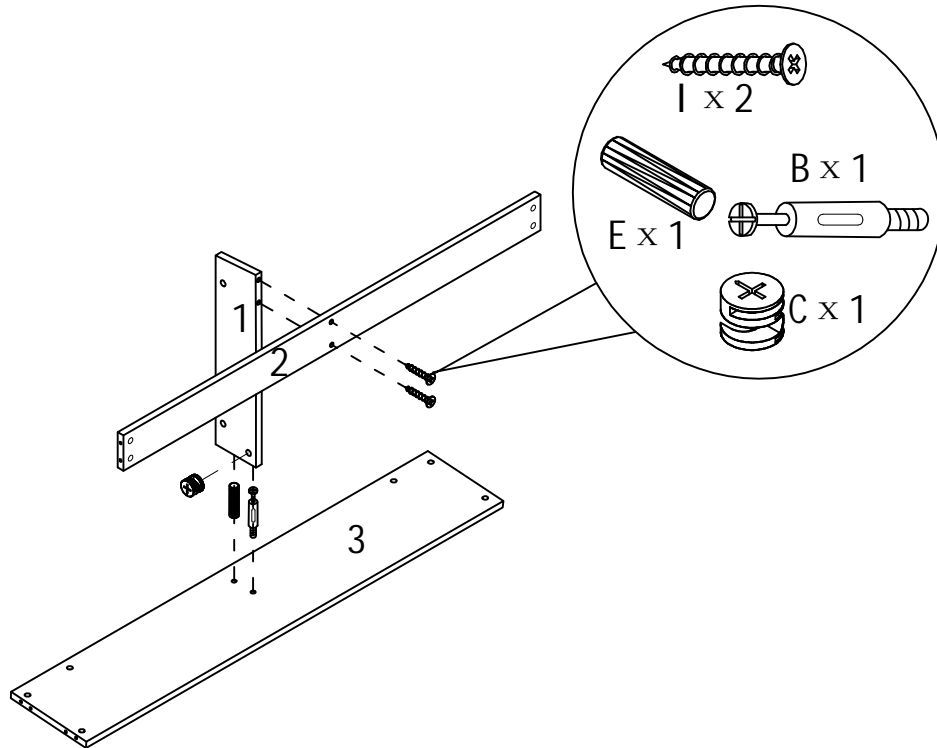
A		∅4 x 25	4pcs
B		L29	19pcs
C		∅15	19pcs
D		∅4 x 30	8pcs
E		∅8 x 25	13pcs
F		∅20	2pcs
G		L=20	8pcs
H		∅12	8pcs
I		∅4 x 40	2pcs
J		∅6 x 30	4pcs
K		∅16	4pcs
L		Glue: For securing please apply to wood dowel first before inserting into panel	1pc

HOW TO



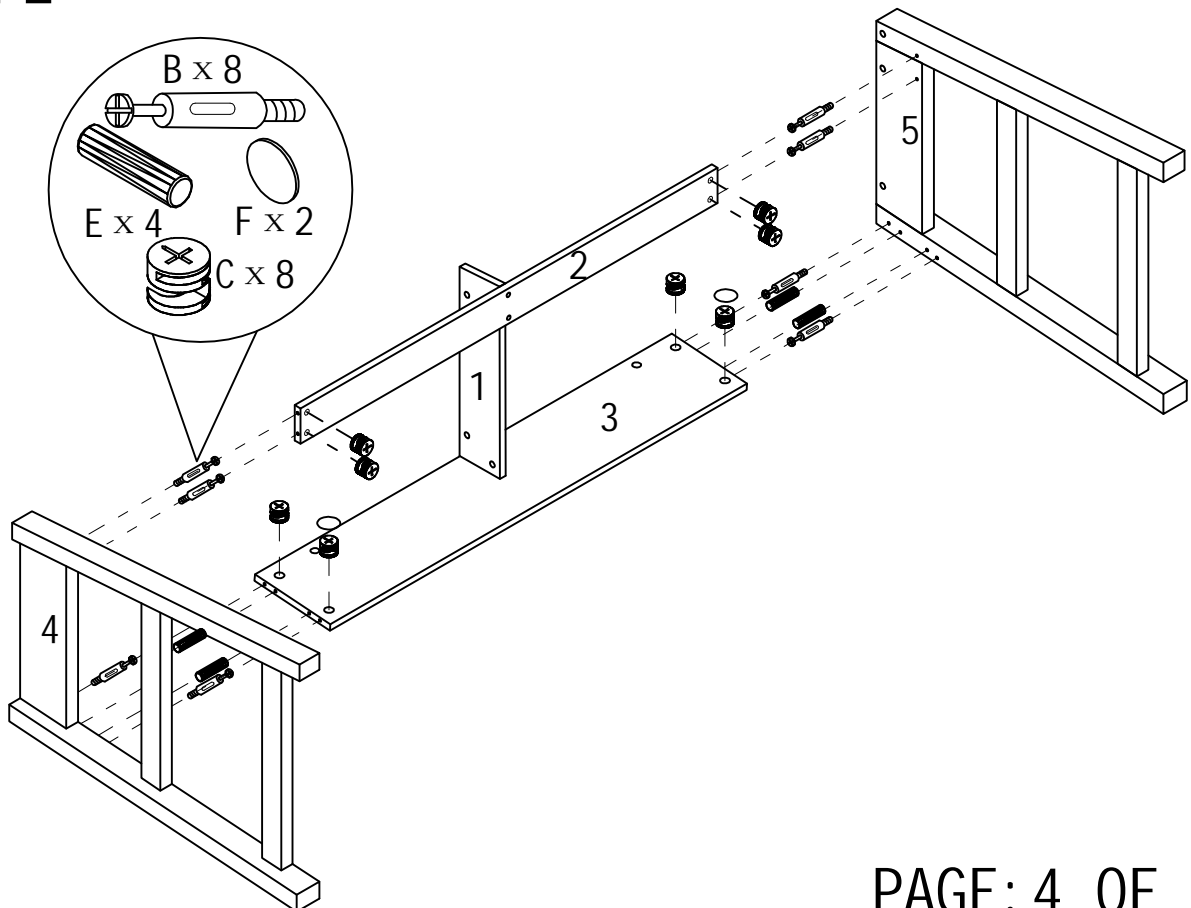
ASSEMBLY INSTRUCTION

ITEM#: 13725



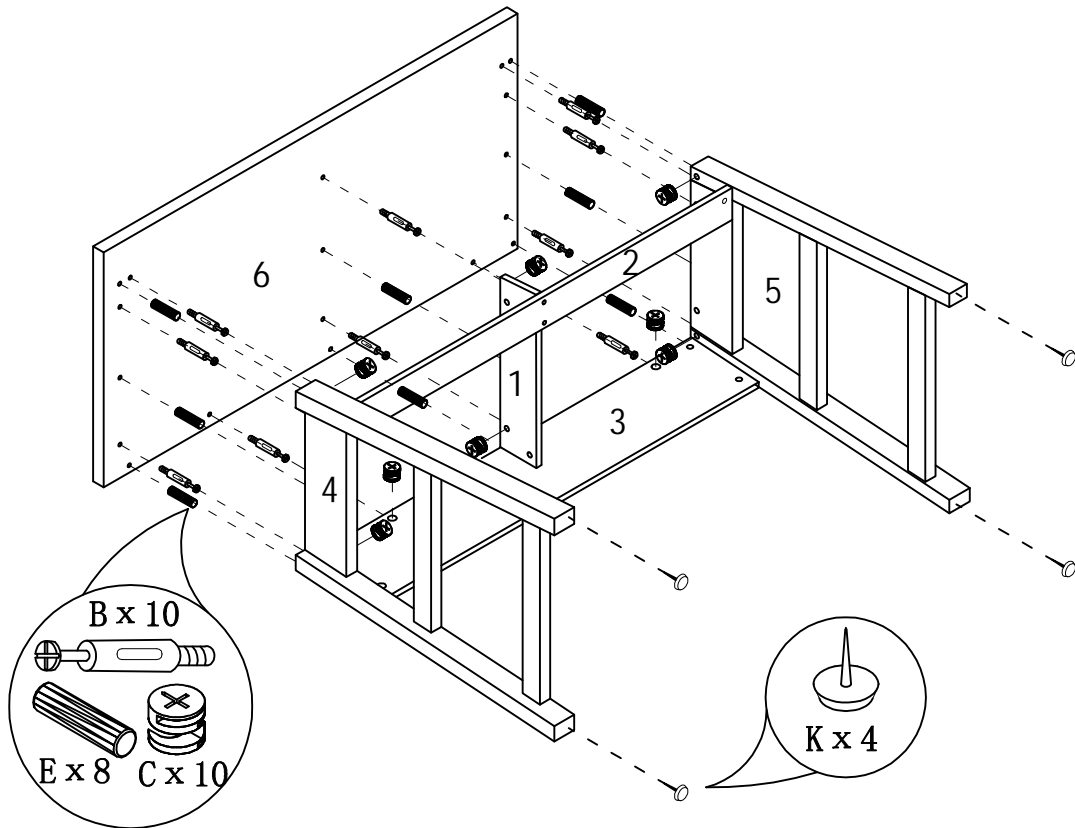
STEP1

STEP2



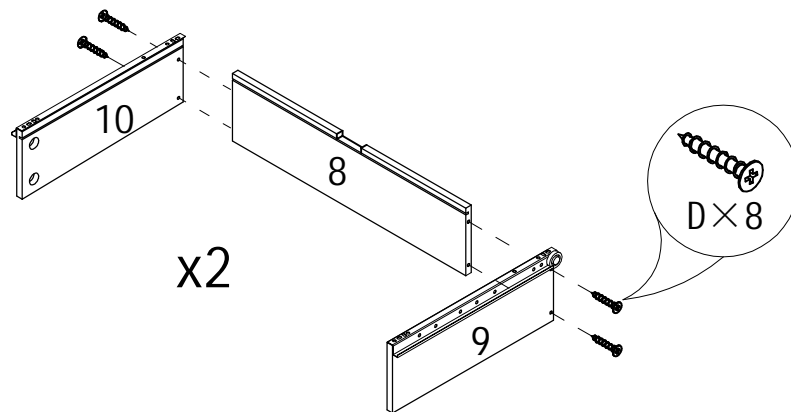
ASSEMBLY INSTRUCTION

ITEM#: 13725

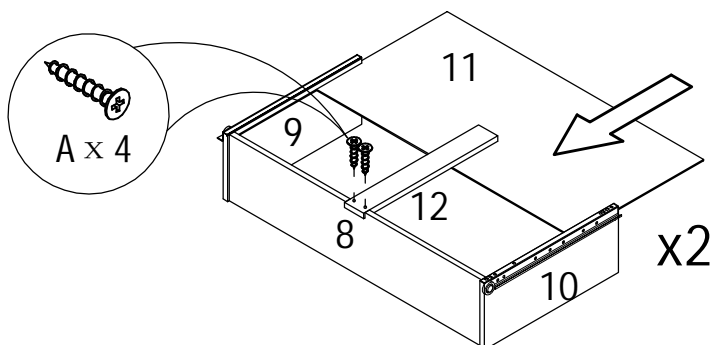


STEP3

STEP4

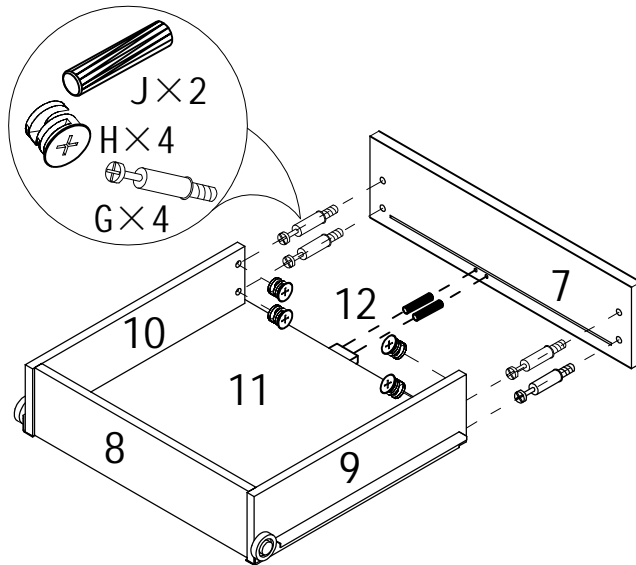


STEP5



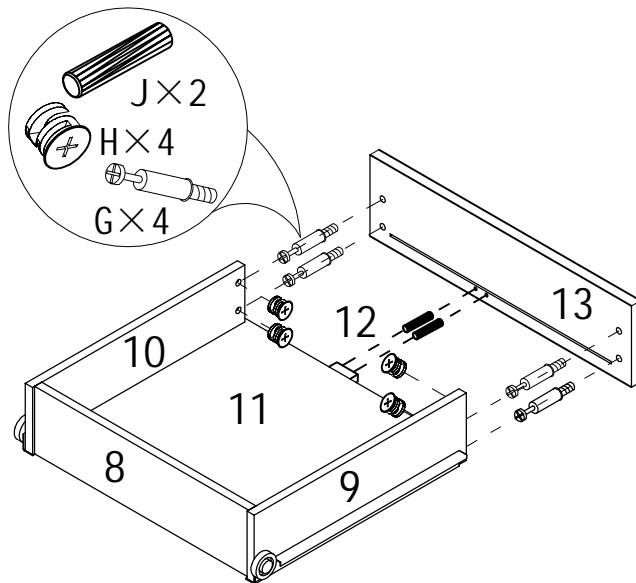
ASSEMBLY INSTRUCTION

ITEM#: 13725



STEP6

STEP7



STEP8

