

ASSEMBLY INSTRUCTION

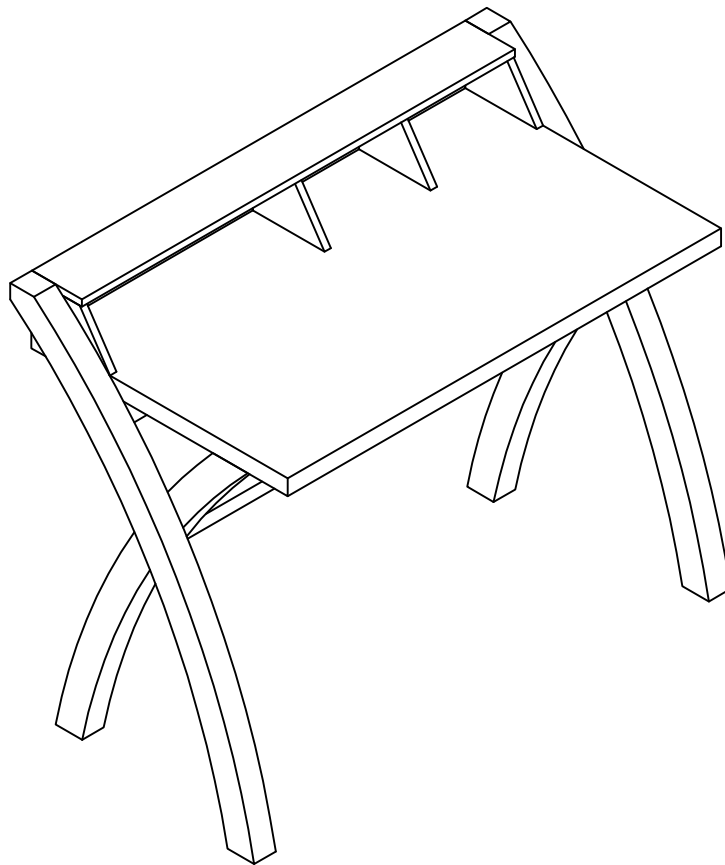
PLEASE READ BEFORE ASSEMBLING!

Tip #1: Make sure you've taken all the pieces and hardware out of its packaging before discarding the box.

Tip #2: Using page 2 and/or page 3 of instruction manual make sure all pieces and hardware are accounted for.

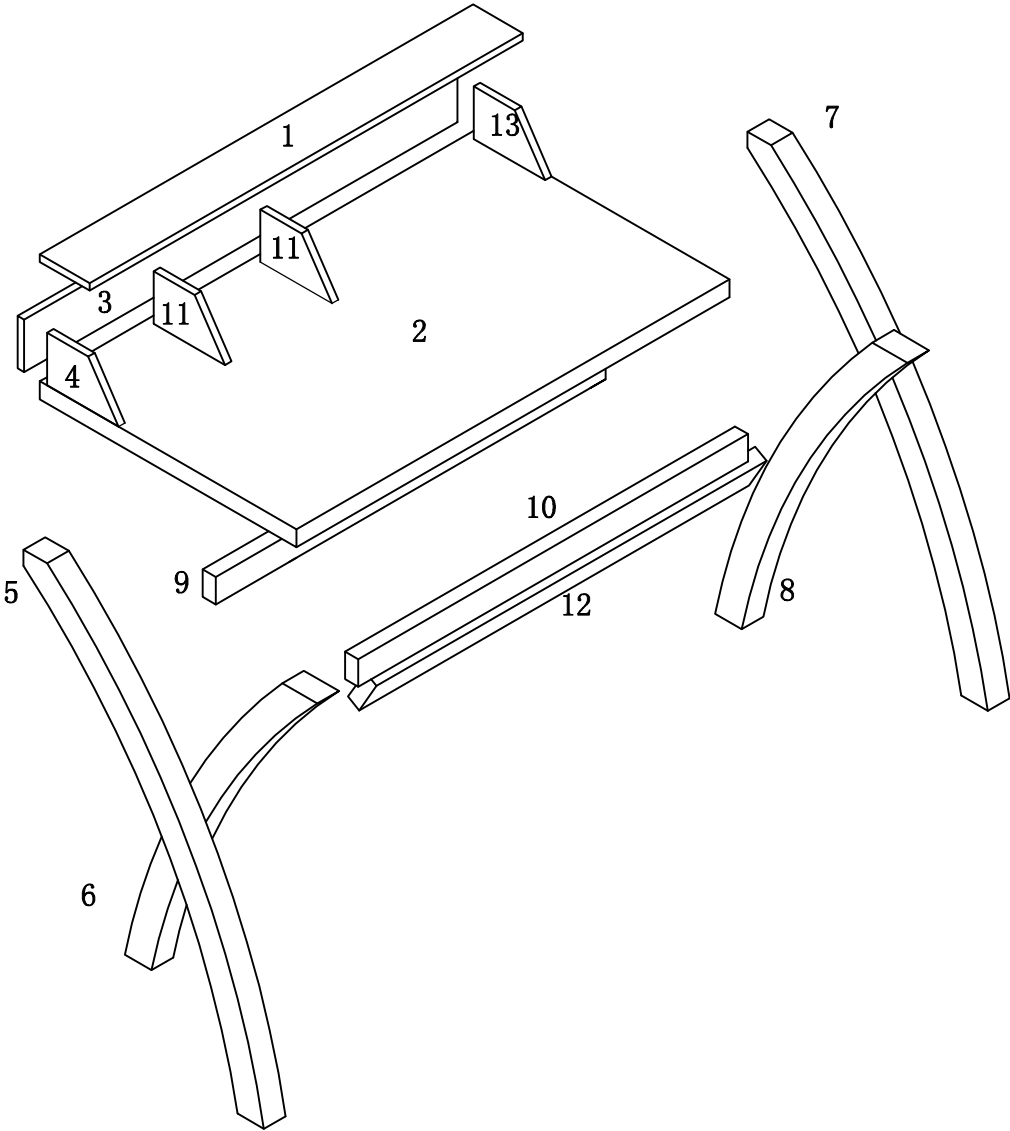
Tip #3: Read manual before assembling, it helps!

ITEM#: 151071 182280 182281



PARTS IDENTIFICATION





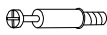

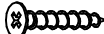
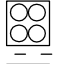
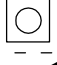







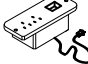

ITEM#:151071 182280 182281



(1)	1pc	(9)	1pc
(2)	1pc	(10)	1pc
(3)	1pc	(11)	2pcs
(4)	1pcs	(12)	1pc
(5)	1pc	(13)	1pc
(6)	1pc		
(7)	1pc		
(8)	1pc		

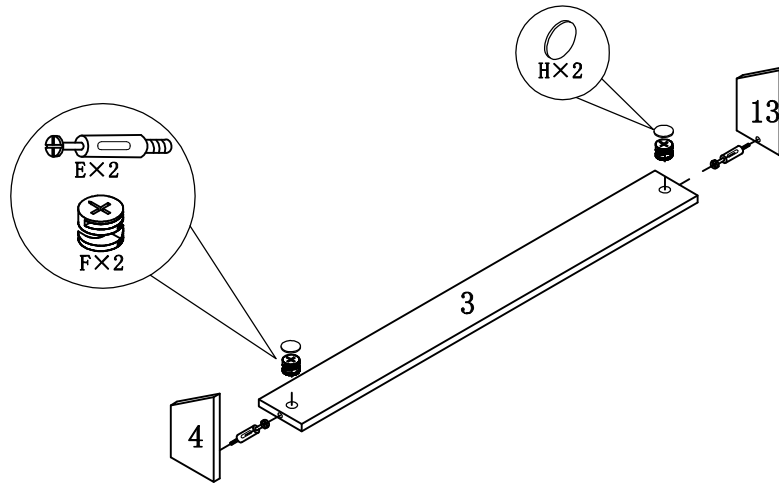
HARDWARE IDENTIFICATION

ITEM#: 151071 182280 182281

A		L29	4pcs
B		Ø15	4pcs
C		Ø8×25	22pcs
D		Ø3×16	2pcs
E		L23	7pcs
F		Ø12	7pcs
G		Ø4×50	7pcs
H		Ø20	13pcs
I		Ø45	6pcs
J		M5	1pc
K		Ø8×65	6pcs
L		M8	6pcs
M		M13	1pc
N		Ø16	4pcs
O		Ø8×25	2pc
P		Ø8×55	2pc
Q			1pc
R		Glue: For securing please apply to wood dowel first before inserting into panel	1pc

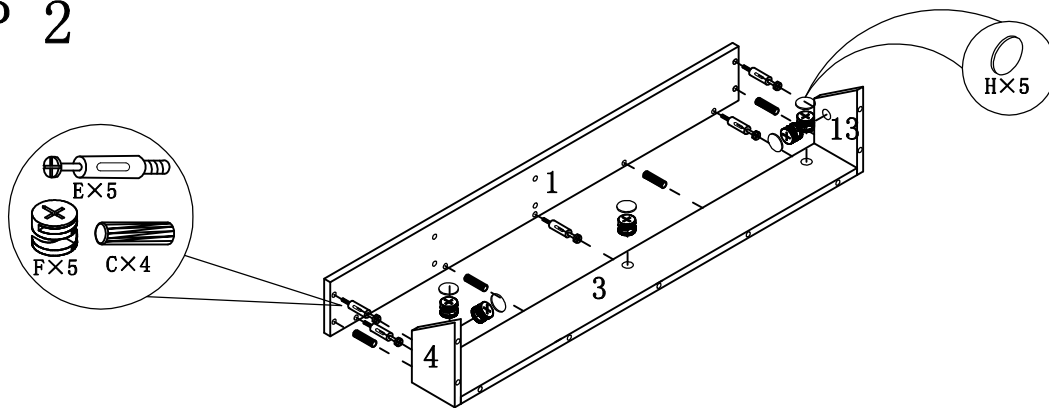
ASSEMBLY INSTRUCTION

ITEM#: 151071 182280 182281

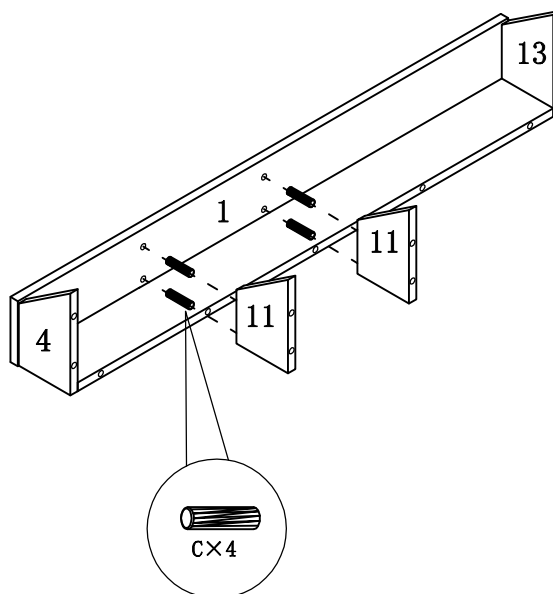


STEP 1

STEP 2

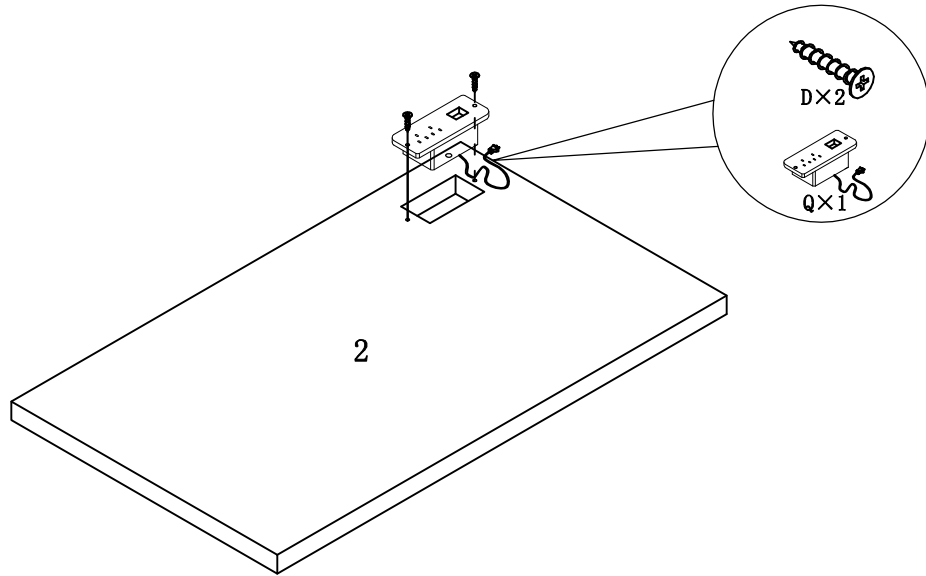


STEP 3



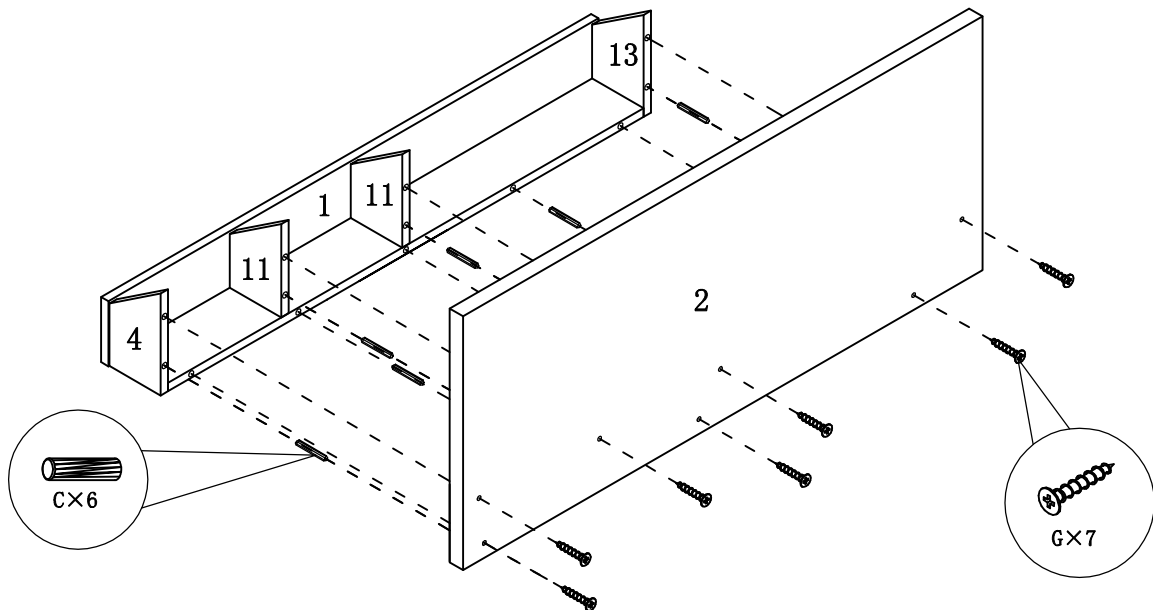
ASSEMBLY INSTRUCTION

ITEM#: 151071 182280 182281



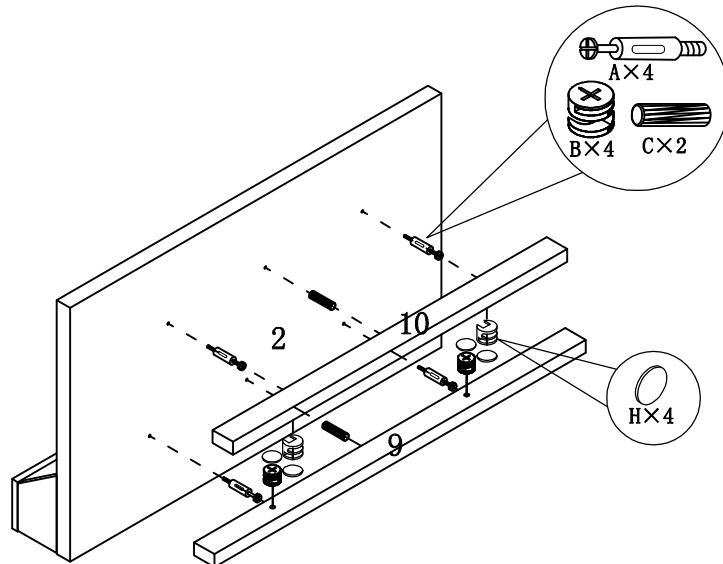
STEP 4

STEP 5



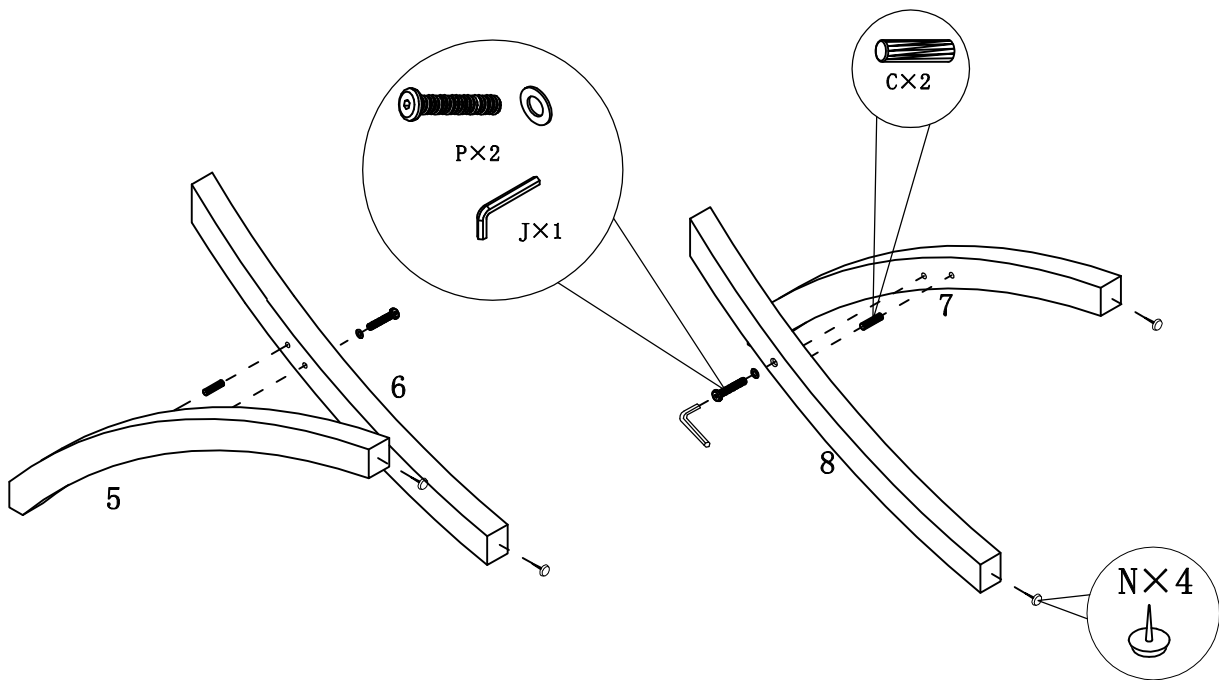
ASSEMBLY INSTRUCTION

ITEM#: 151071 182280 182281



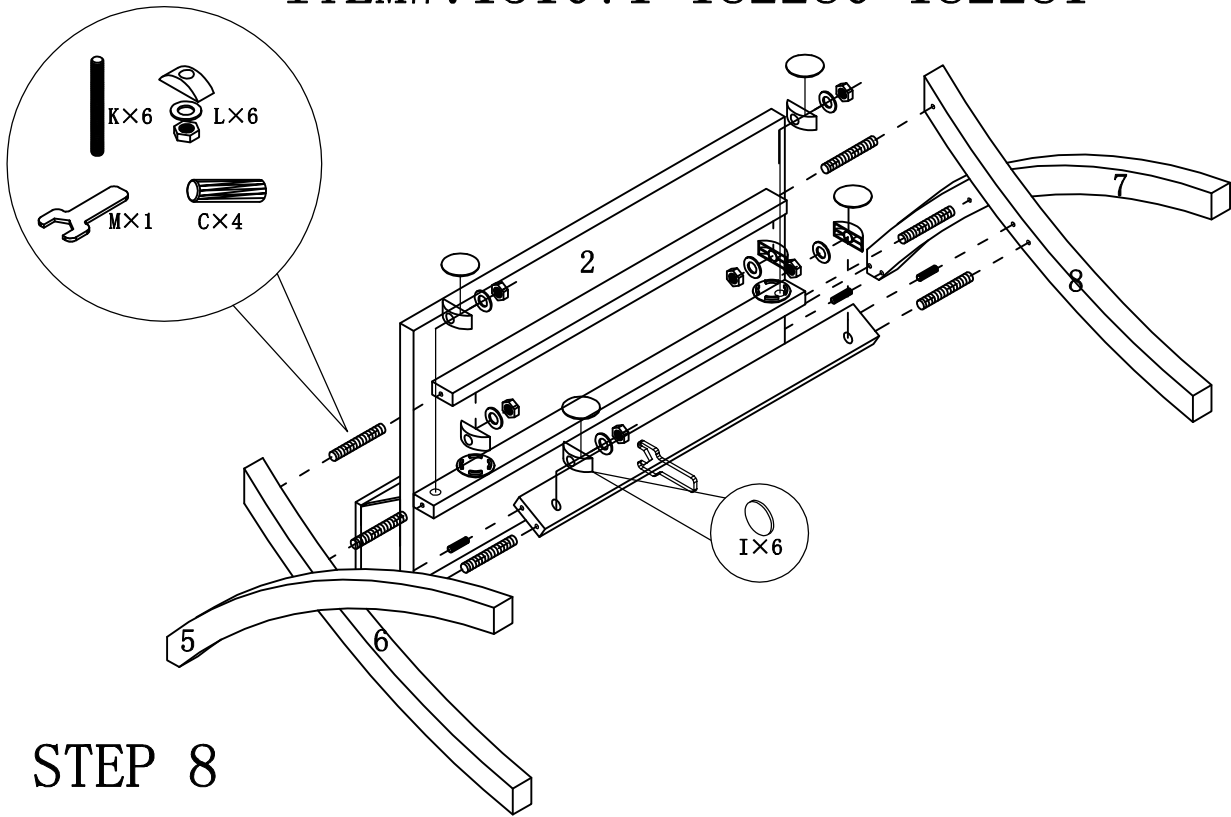
STEP 6

STEP 7



ASSEMBLY INSTRUCTION

ITEM#: 151071 182280 182281



STEP 8

STEP 9

