

# ASSEMBLY INSTRUCTION

---

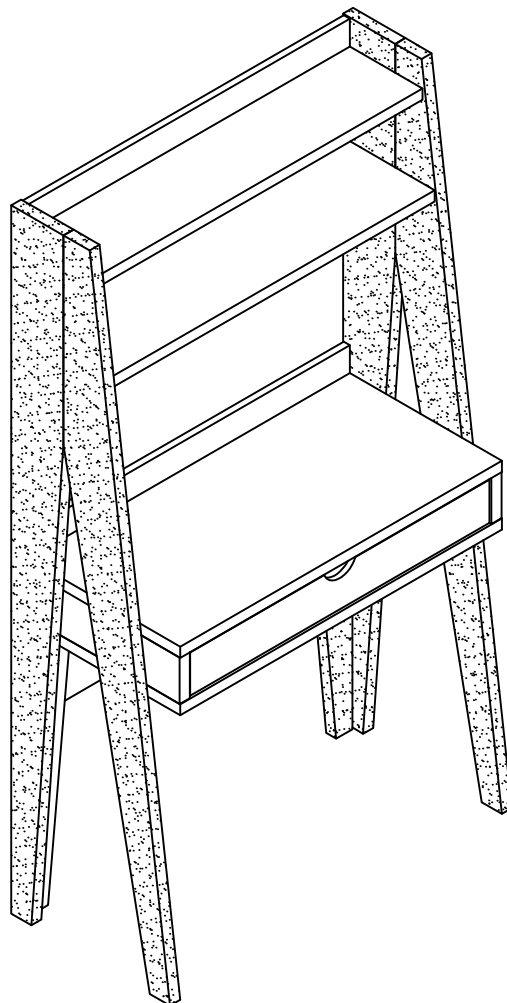
## PLEASE READ BEFORE ASSEMBLING!

Tip #1: Make sure you've taken all the pieces and hardware out of its packaging before discarding the box.

Tip #2: Using page 2 and/or page 3 of instruction manual make sure all pieces and hardware are accounted for.

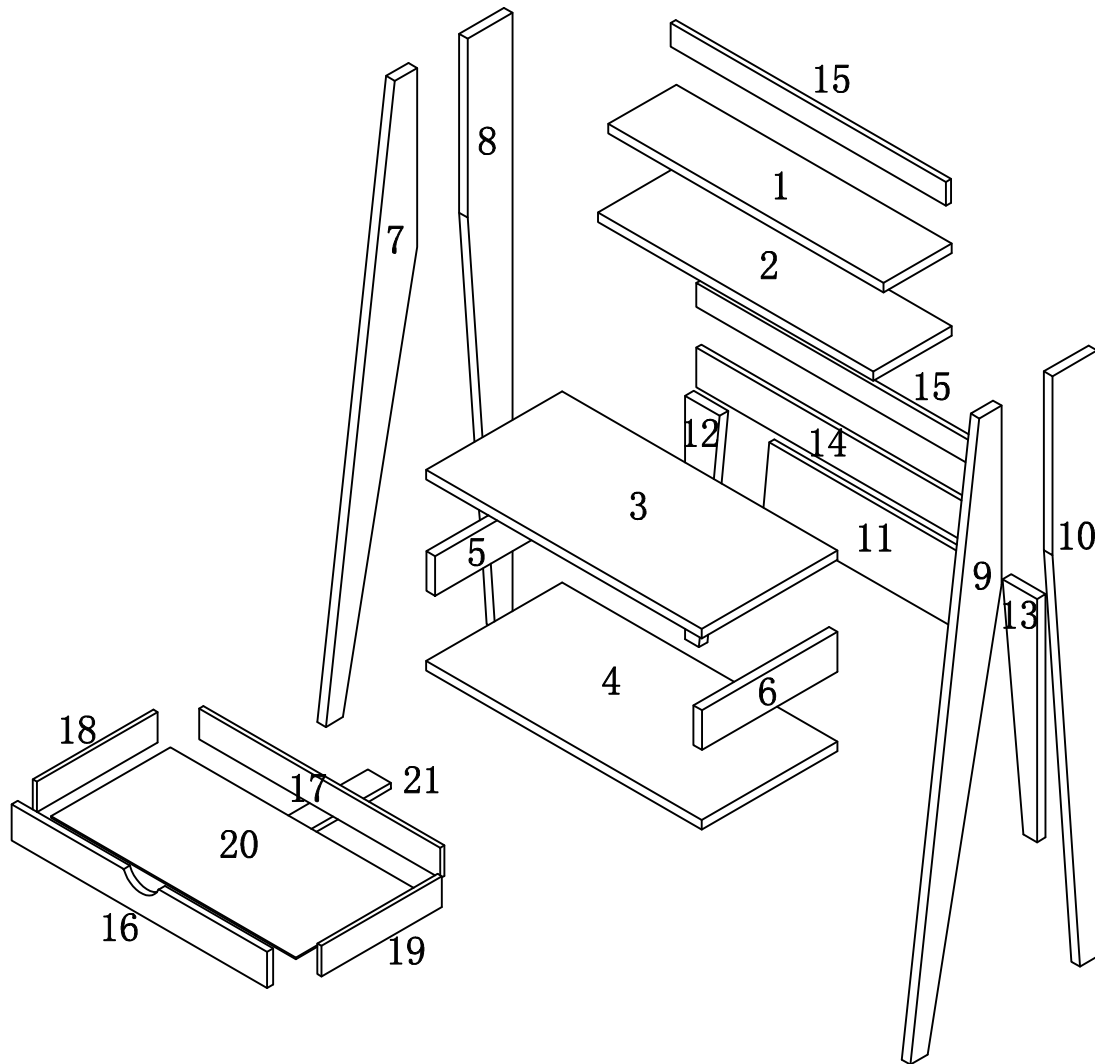
Tip #3: Read manual before assembling, it helps!

**ITEM# 151288 192488**



# PARTS IDENTIFICATION

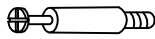


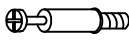



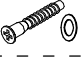

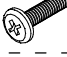
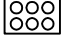



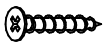
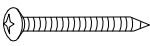

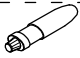
ITEM#: 151288



(1)	1pc	(9)	1pc	(17)	1pc
(2)	1pc	(10)	1pc	(18)	1pc
(3)	1pc	(11)	1pc	(19)	1pc
(4)	1pc	(12)	1pc	(20)	1pc
(5)	1pc	(13)	1pc	(21)	1pc
(6)	1pc	(14)	1pc		
(7)	1pc	(15)	2pcs		
(8)	1pc	(16)	1pc		

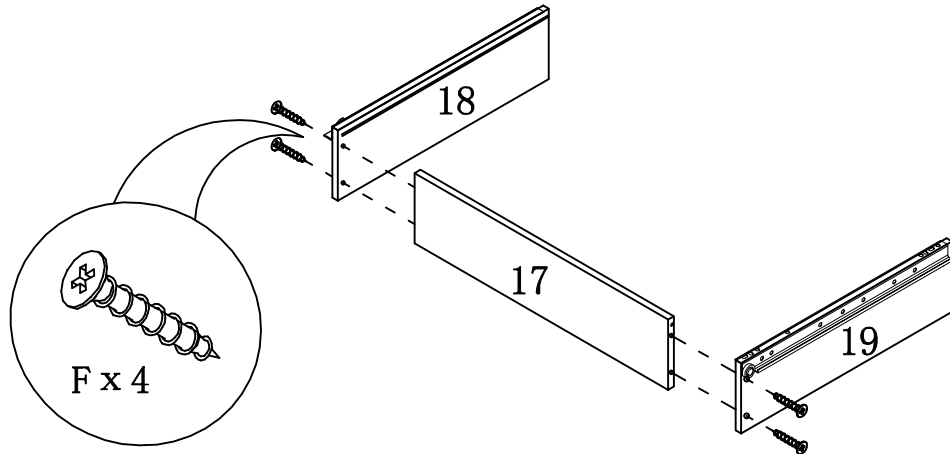
# HARDWARE IDENTIFICATION

ITEM#: 151288

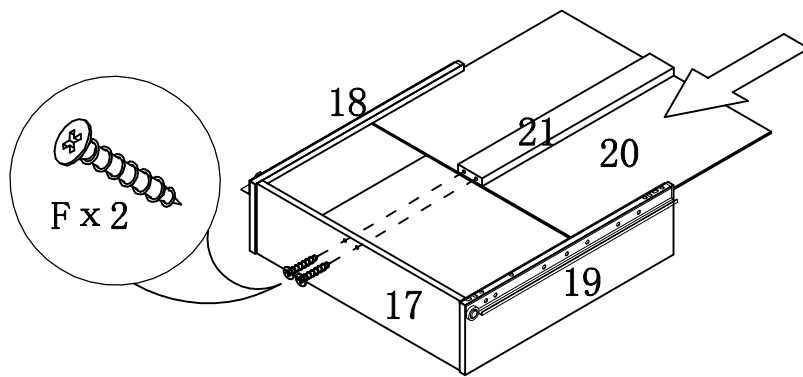
A		L=29	38pcs
B		Ø15	38pcs
C		Ø8x25	30pcs
D		L20	4pcs
E		Ø 12	4pcs
F		Ø4x30	6pcs
G		Ø4x40	6pcs
H		Ø7x48	4pcs
I		Ø6x30	2pcs
J		M6x30	4pcs
K		Ø20 (WH3)	10pcs
L		Ø20 (WW)	4pcs
M		Ø16	4pcs
N			1pc
O		Ø4 x 25	1pc
P		Ø5 x 40	1pc
Q		Ø8 x 40	1pc
R		Glue: For securing please apply to wood dowel first before inserting into panel	1pc

# ASSEMBLY INSTRUCTION

ITEM#: 151288

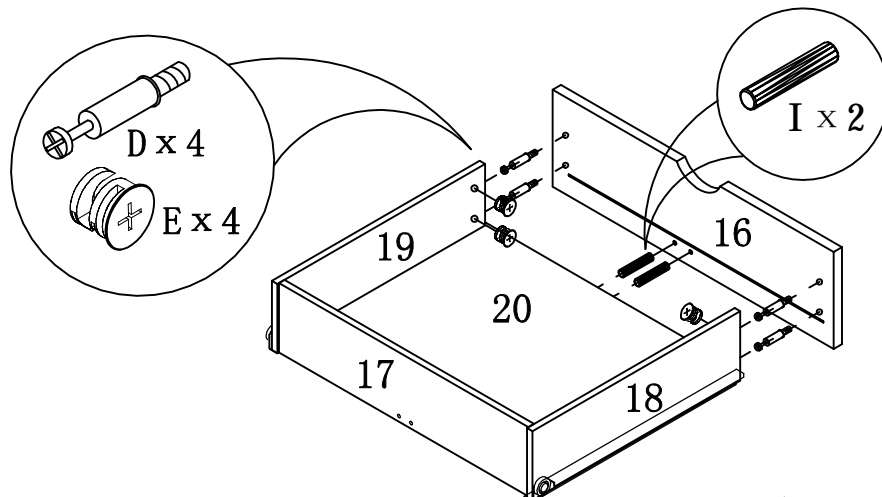


STEP 1



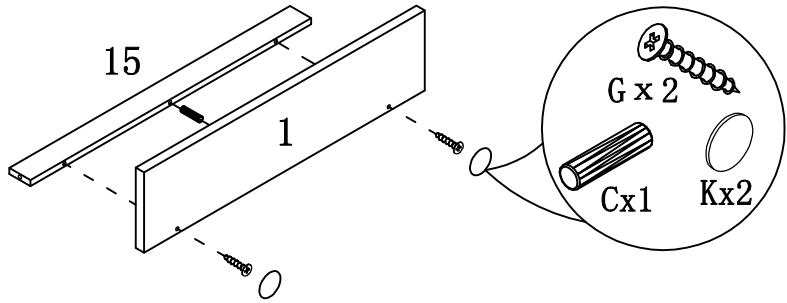
STEP 2

STEP 3



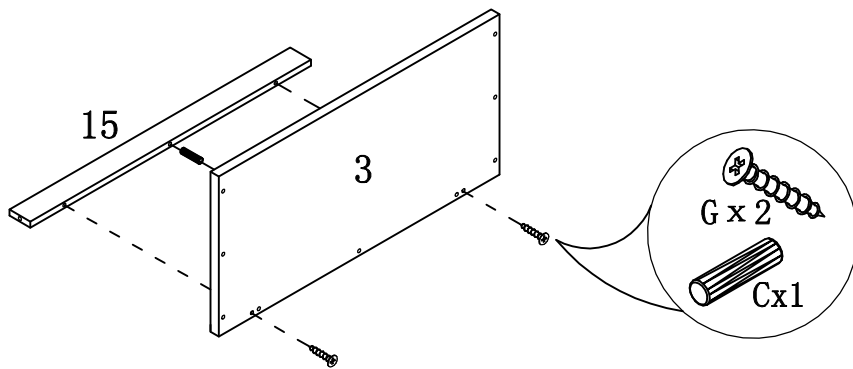
# ASSEMBLY INSTRUCTION

ITEM#: 151288

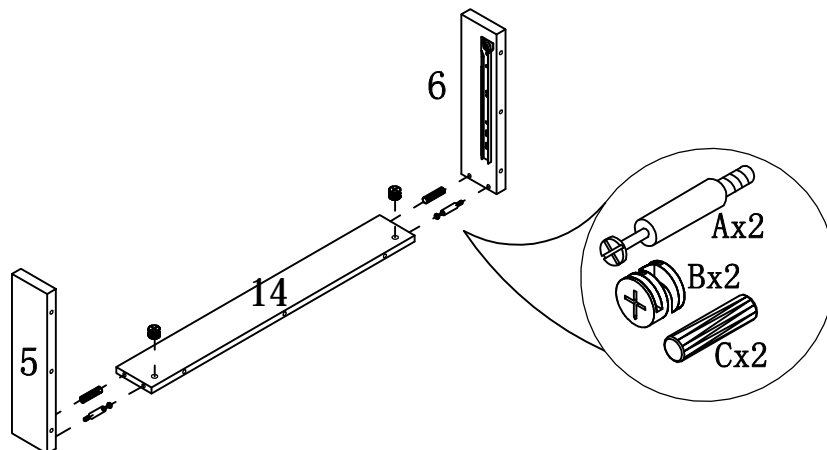


STEP 4

STEP 5



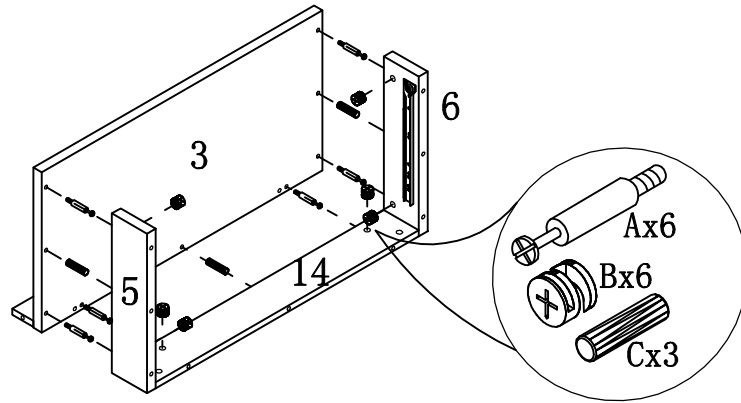
STEP 6



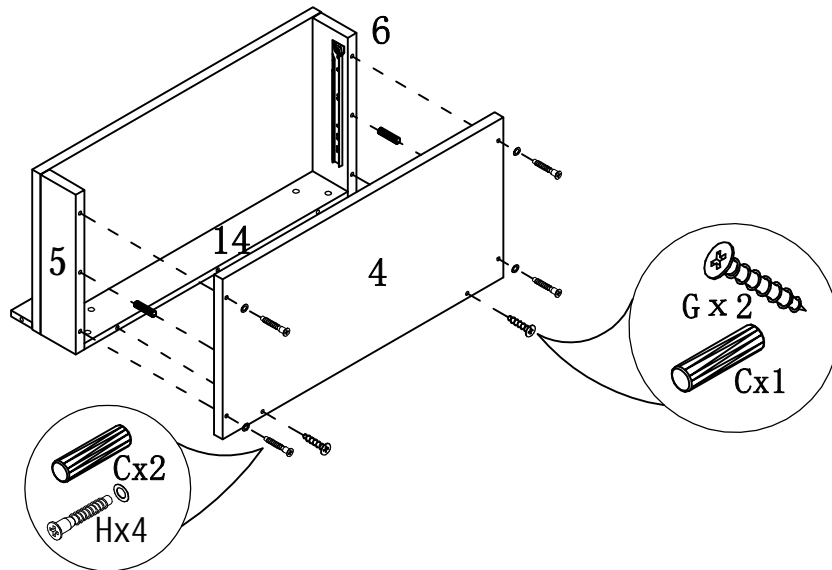
# ASSEMBLY INSTRUCTION

ITEM#: 151288

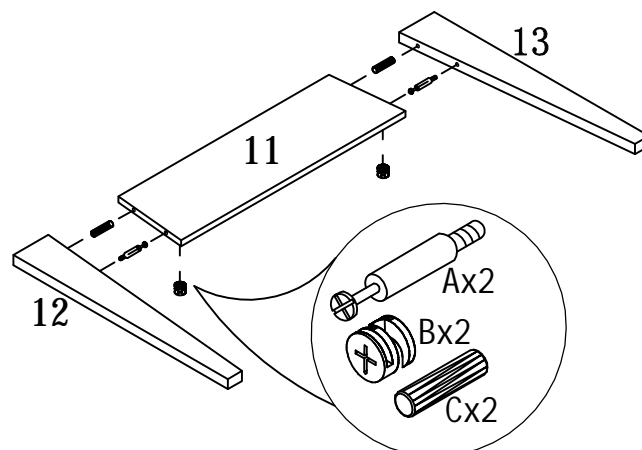
STEP 7



STEP 8

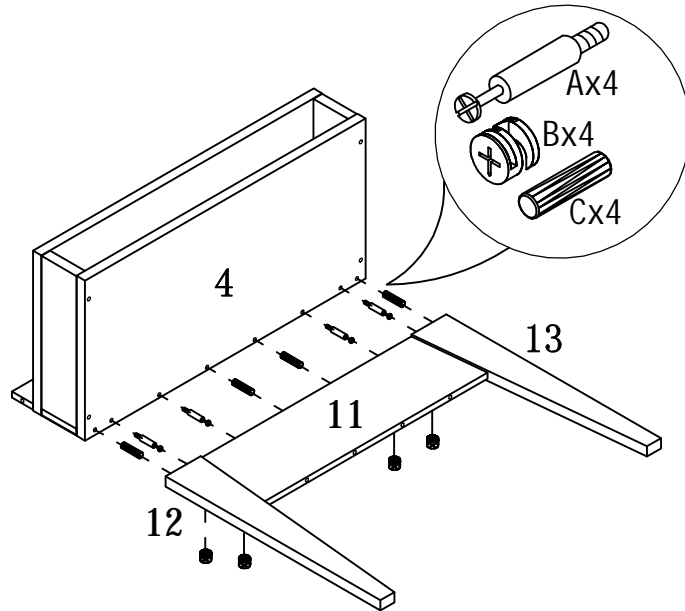


STEP 9



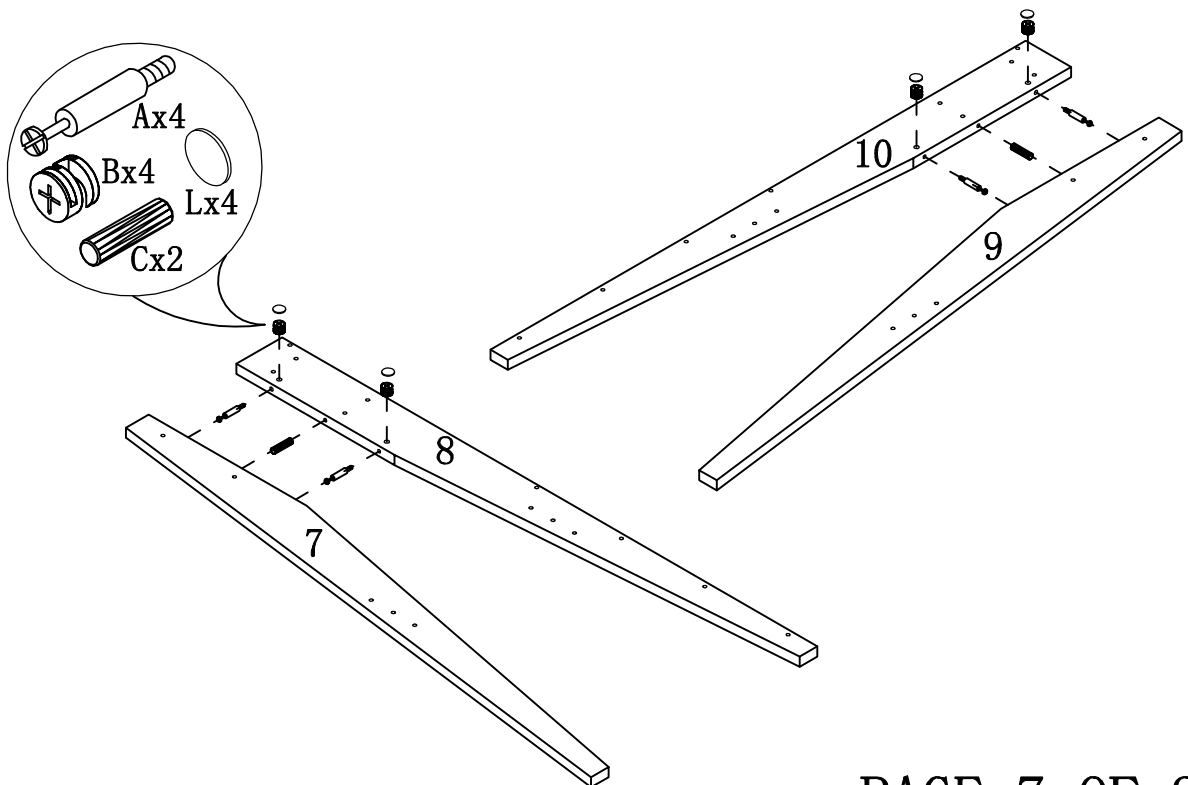
# ASSEMBLY INSTRUCTION

ITEM#: 151288



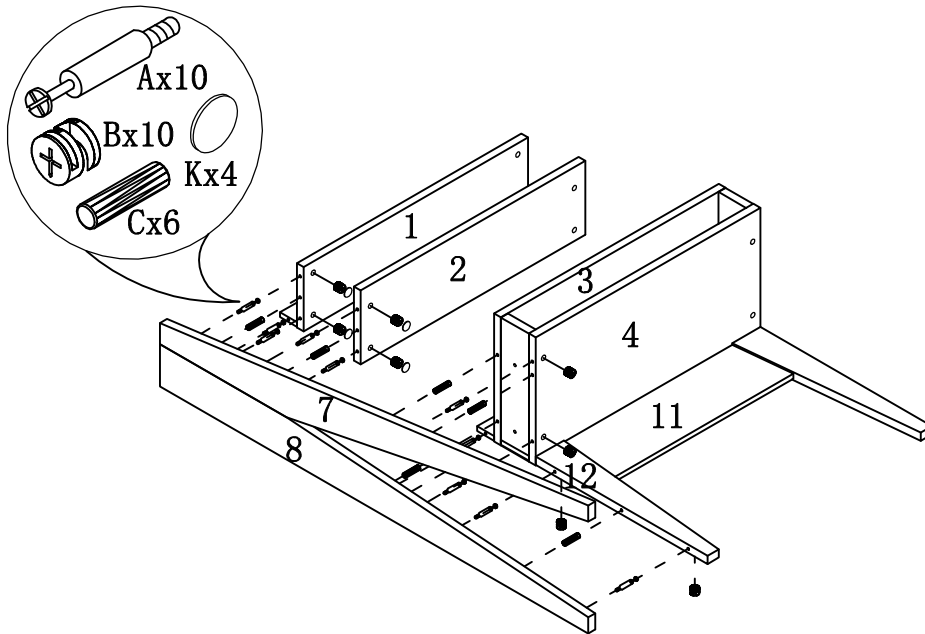
STEP 10

STEP 11



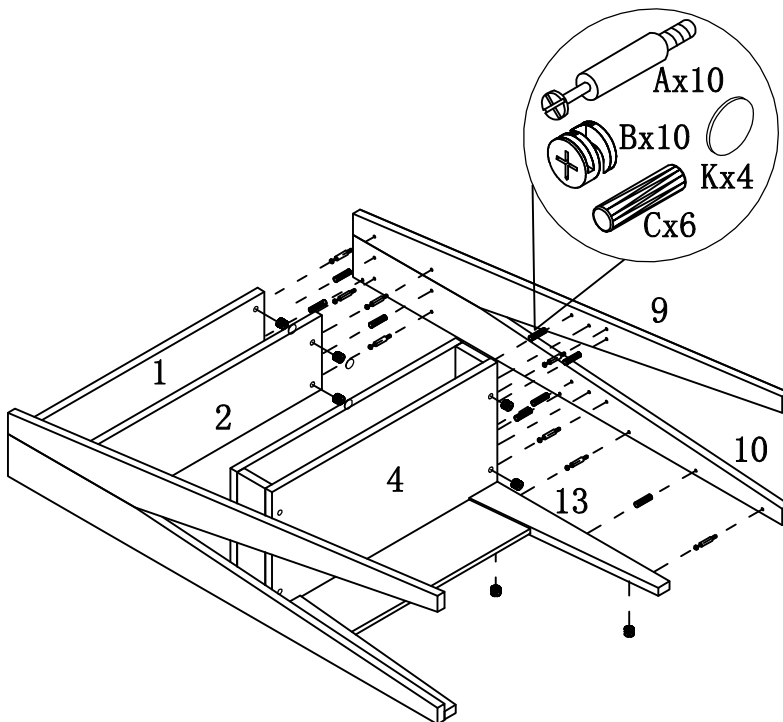
# ASSEMBLY INSTRUCTION

ITEM#: 151288



STEP 12

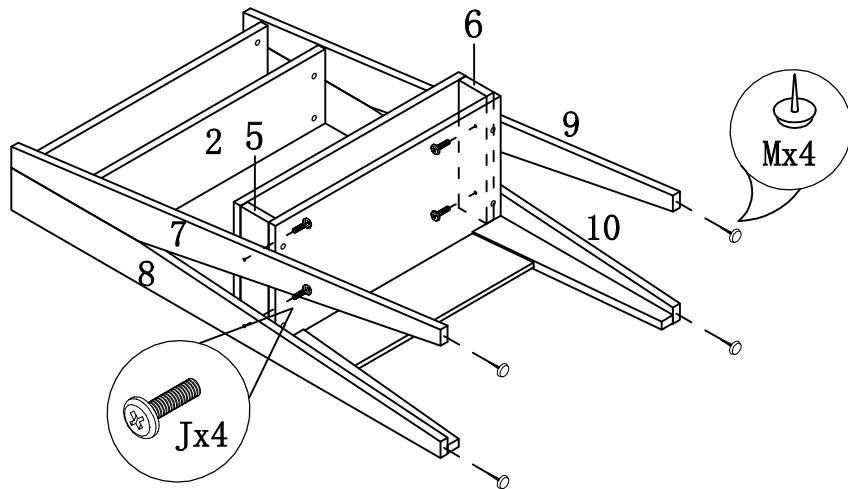
STEP 13





# ASSEMBLY INSTRUCTION

ITEM#: 151288



STEP 14

STEP 15

