

# ASSEMBLY INSTRUCTION

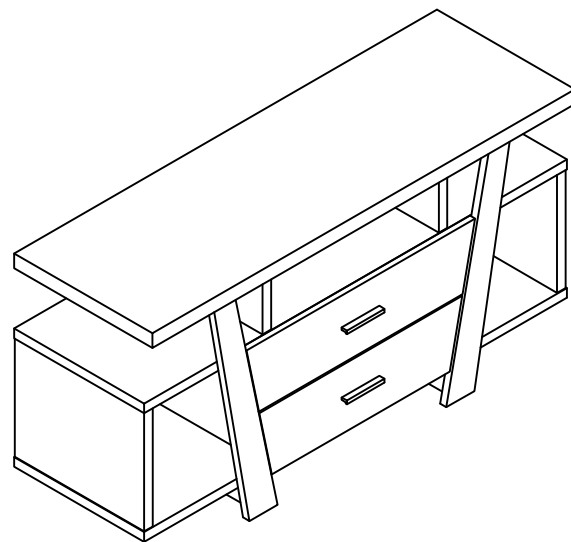
## **PLEASE READ BEFORE ASSEMBLING!**

Tip #1: Make sure you've taken all the pieces and hardware out of its packaging before discarding the box.

Tip #2: Using page 2 and/or page 3 of instruction manual make sure all pieces and hardware are accounted for.

Tip #3: Read manual before assembling, it helps!

ITEM#: 151309 151231 151310 151277

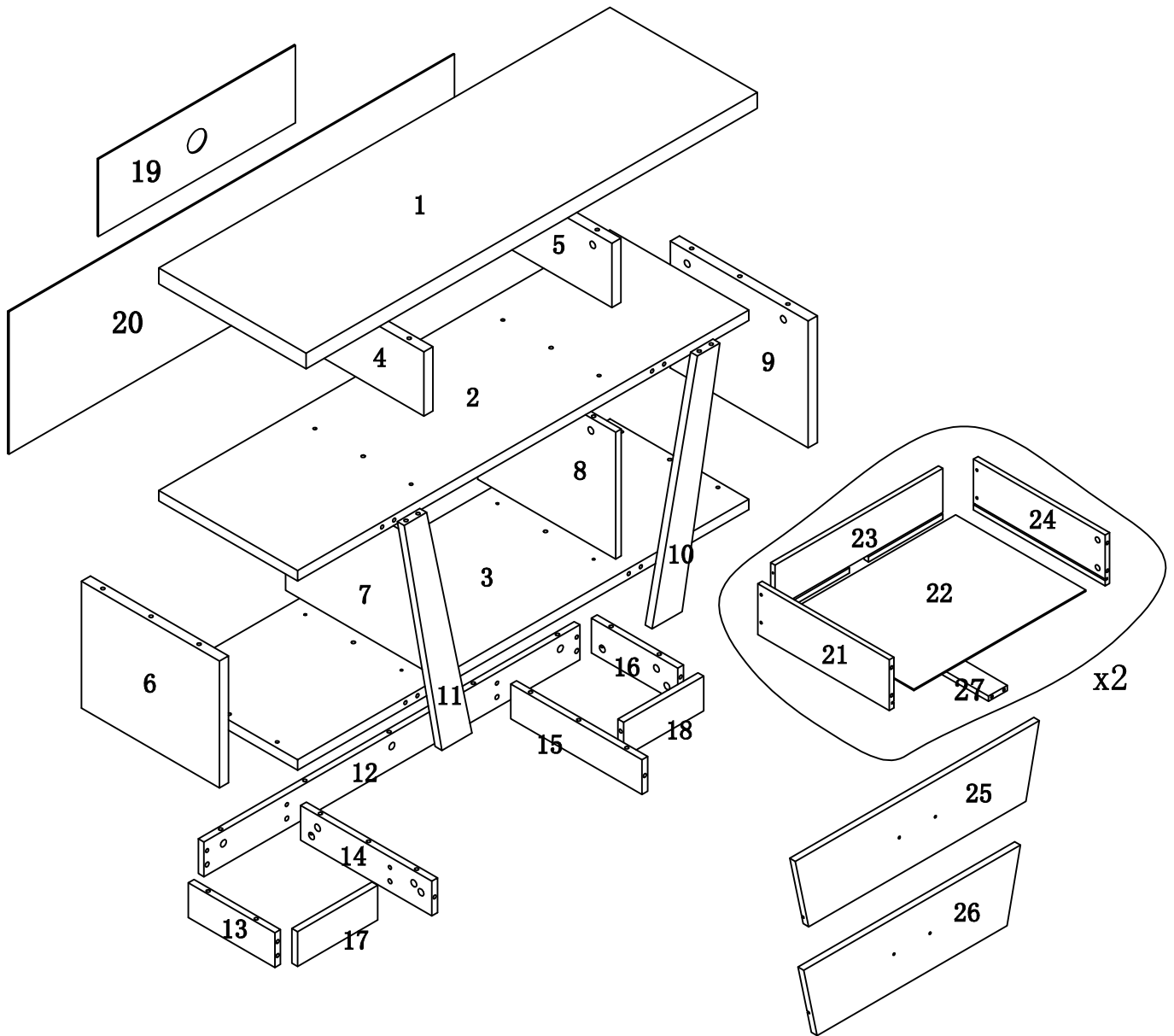


Need some help?  
Scan here for  
assembly video.



# PARTS IDENTIFICATION








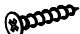





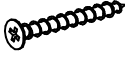
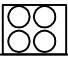

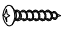




ITEM#: 151309 151231 151310 151277



(1)	1pc	(10)	1pc	(19)	1pc
(2)	1pc	(11)	1pc	(20)	1pc
(3)	1pc	(12)	1pc	(21)	2pcs
(4)	1pc	(13)	1pc	(22)	2pcs
(5)	1pc	(14)	1pc	(23)	2pcs
(6)	1pc	(15)	1pc	(24)	2pcs
(7)	1pc	(16)	1pc	(25)	1pc
(8)	1pc	(17)	1pc	(26)	1pc
(9)	1pc	(18)	1pc	(27)	2pcs

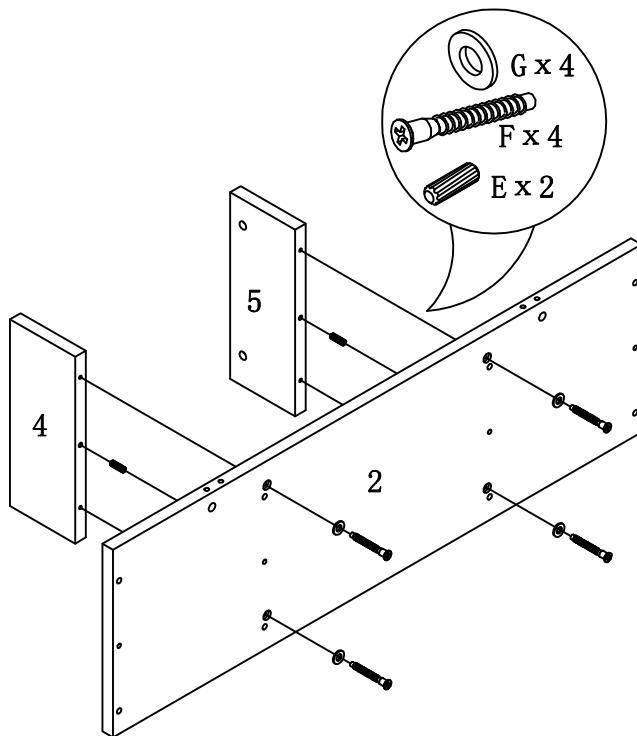
# HARDWARE IDENTIFICATION

ITEM#: 151309 151231 151310 151277

A		L29	37pcs
B		φ15	37pcs
C		L20	8pcs
D		φ12	8pcs
E		φ8x25	32pcs
F		φ7x48	8pcs
G		φ8xφ16x2	8pcs
H		φ4x30	12pcs
I		C96	2pcs
J		M4x22	4pcs
K			40pcs
L		φ16	9pcs
M		φ6x30	4pcs
N		φ4x40	4pcs
O		φ20	8pcs
P		197×5×1	1pc
Q		φ 4 x 25	1pc
R		φ 5 x 40	1pc
S		φ 8 x 40	1pc
T		12×12×1	2pcs
U		Glue: For securing please apply to wood dowel first before inserting into panel	1pc

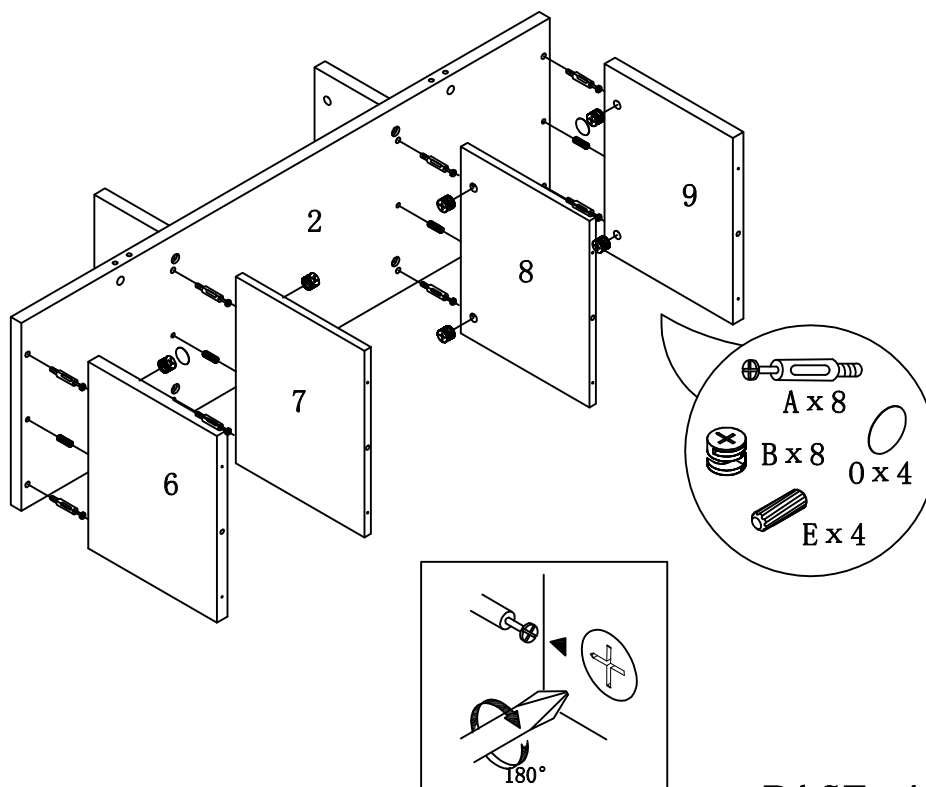
# ASSEMBLY INSTRUCTION

ITEM#: 151309 151231 151310 151277



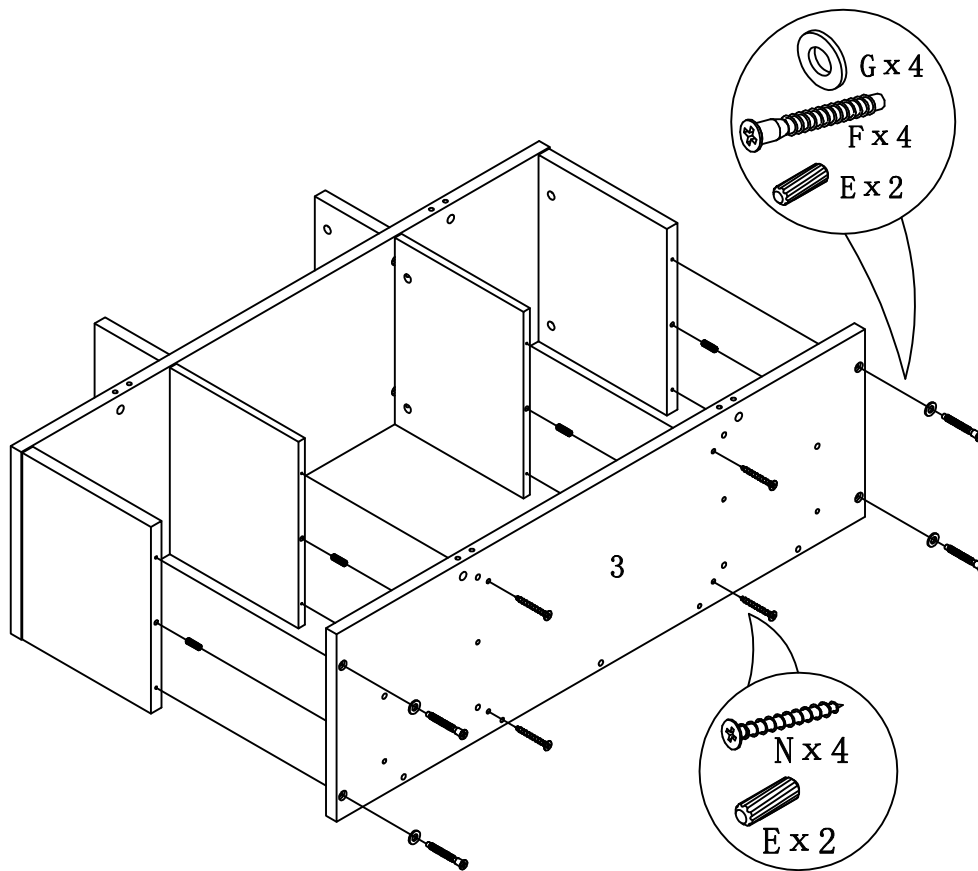
STEP 1

STEP 2



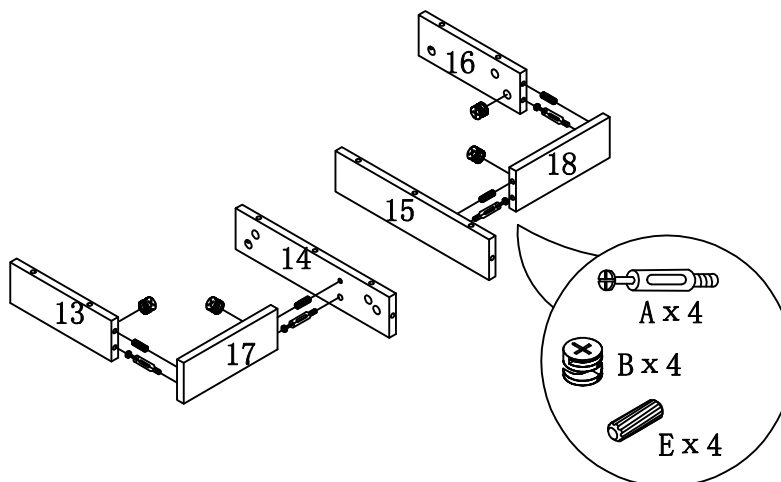
# ASSEMBLY INSTRUCTION

ITEM#: 151309 151231 151310 151277



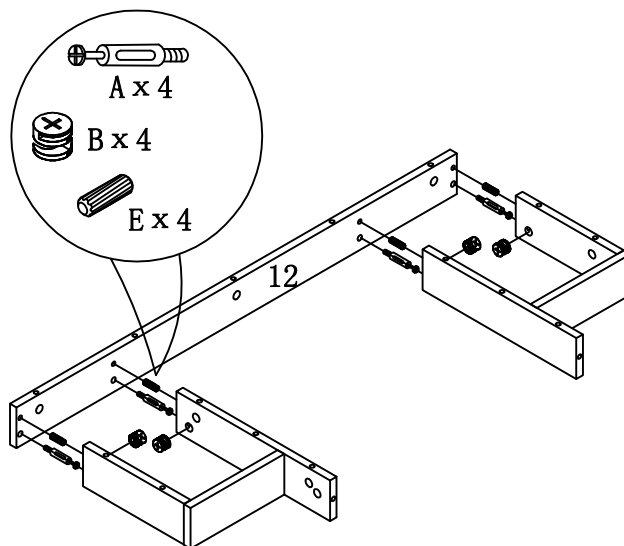
STEP 3

STEP 4



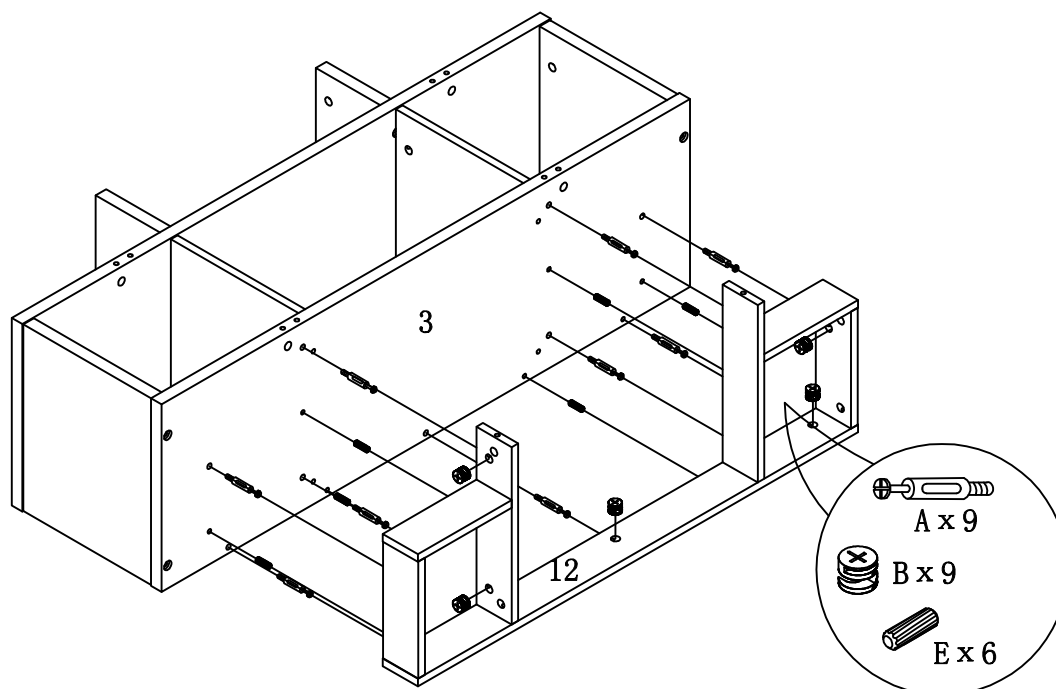
# ASSEMBLY INSTRUCTION

ITEM#: 151309 151231 151310 151277



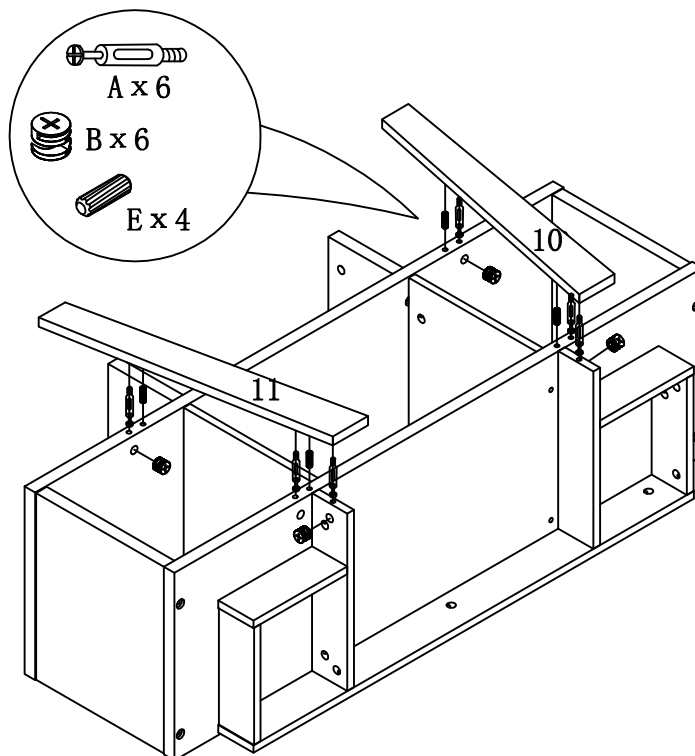
STEP 5

STEP 6



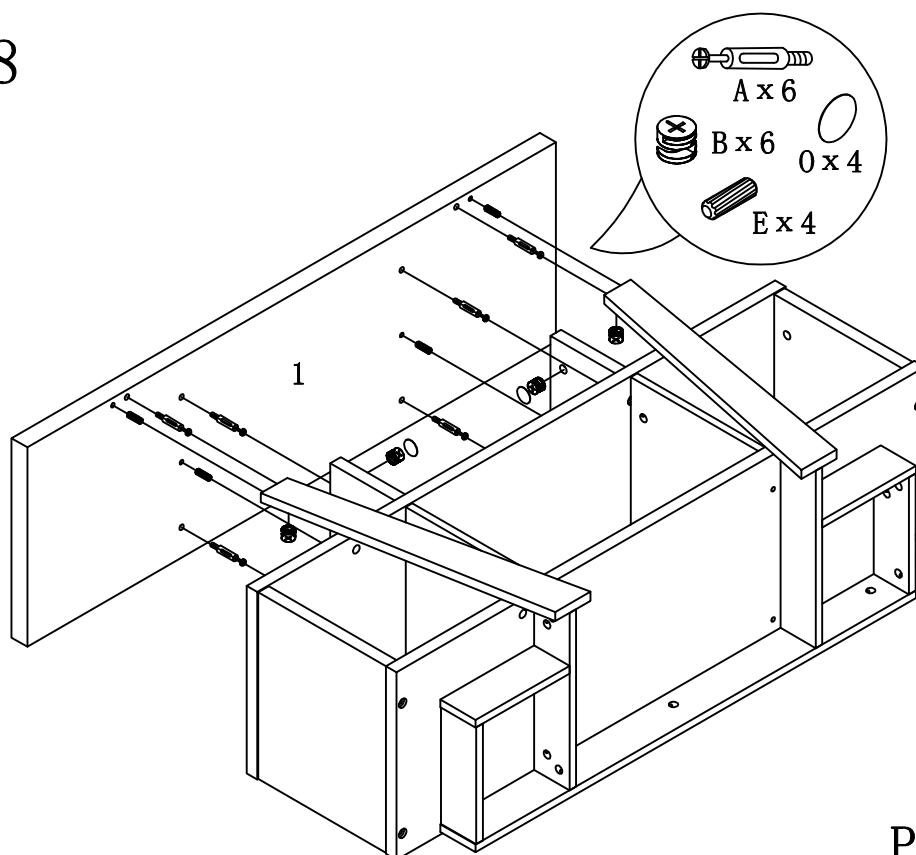
# ASSEMBLY INSTRUCTION

ITEM#: 151309 151231 151310 151277



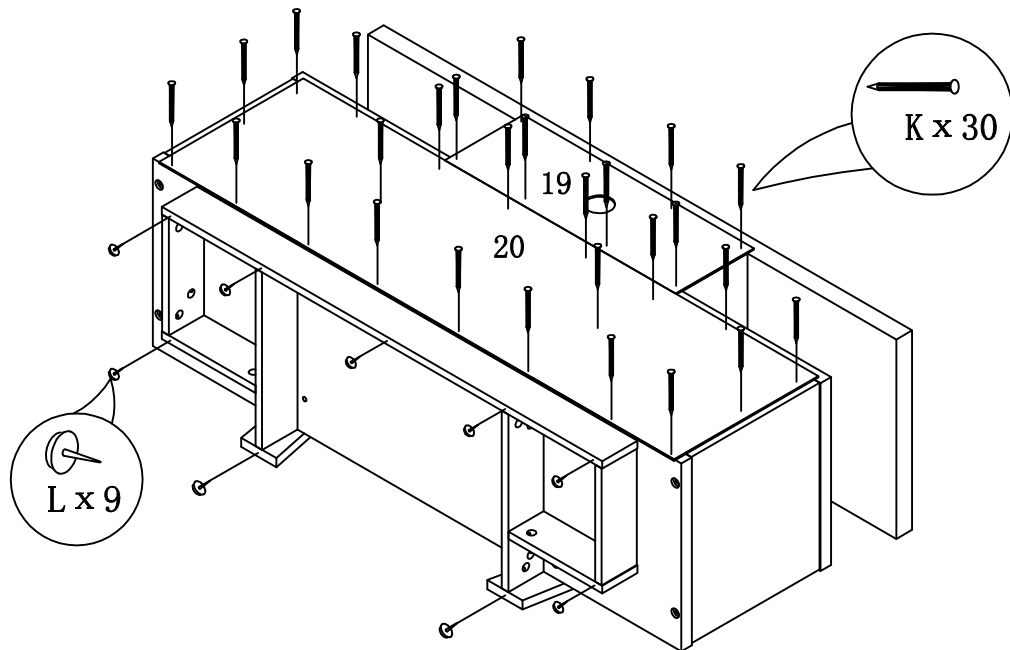
STEP 7

STEP 8



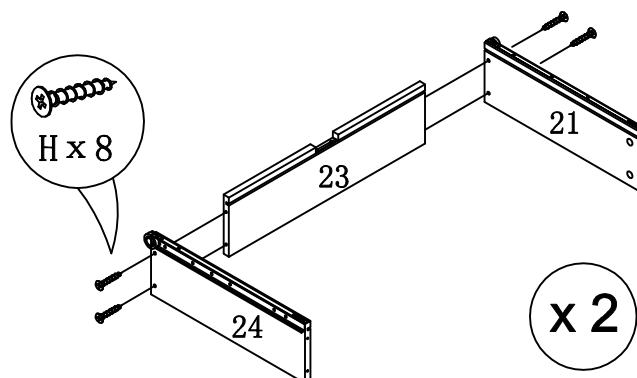
# ASSEMBLY INSTRUCTION

ITEM#: 151309 151231 151310 151277



STEP 9

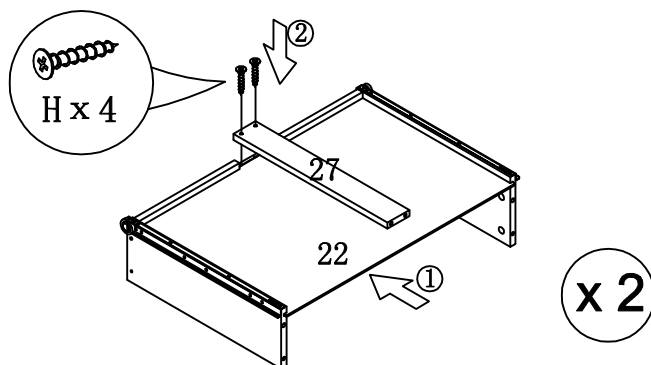
STEP 10





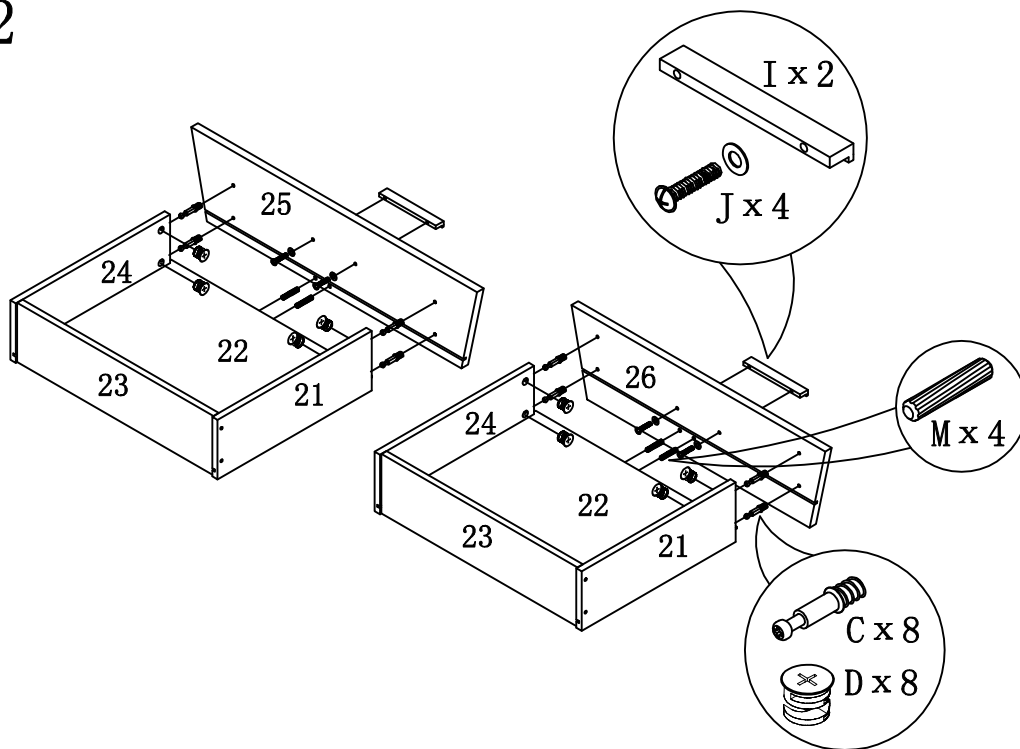
# ASSEMBLY INSTRUCTION

ITEM#: 151309 151231 151310 151277



STEP 11

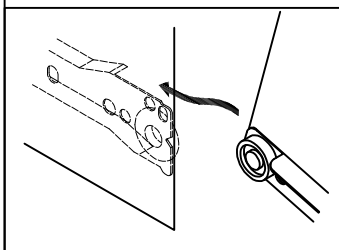
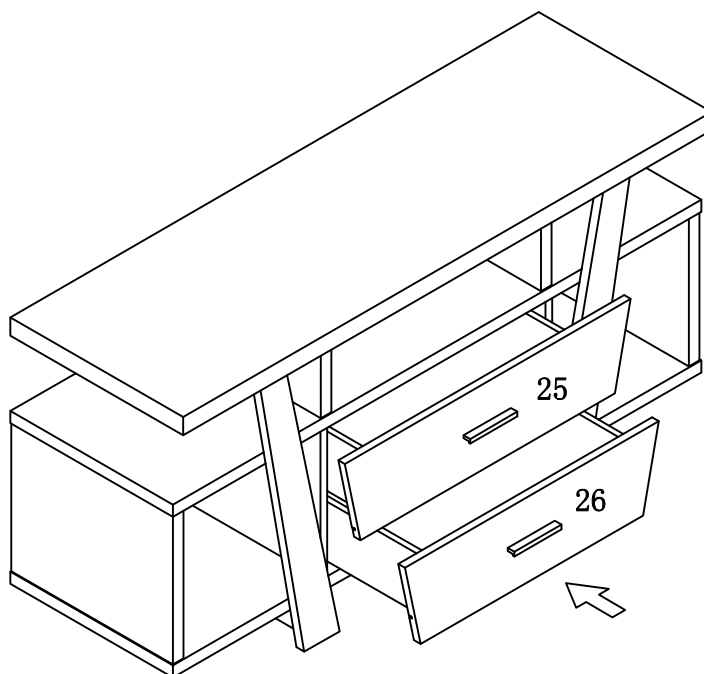
STEP 12



# ASSEMBLY INSTRUCTION

ITEM#: 151309 151231 151310 151277

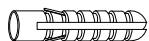
## STEP 13



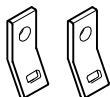
# ANTI-TIPPING STRAP INSTRUCTION

## HARDWARE (INCLUDED) :

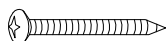
## TOOLS NEEDED ( NOT INCLUDED) :



DRYWALL ANCHOR  $\phi 8 \times 40$  X 1PC



METAL BRACKETS  $12 \times 12 \times 1$  X 2PCS



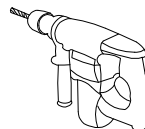
DRYWALL SCREW  $\phi 5 \times 40$  X 1PC



STRAP  $197 \times 5 \times 1$  X 1PC



FLATHEAD SCREW  $\phi 4 \times 25$  X 1PC



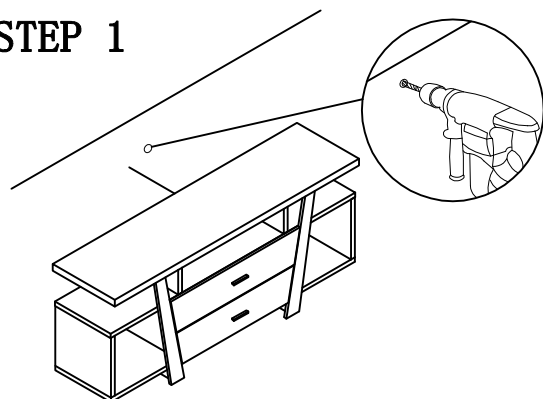
DRILL & DRILL BIT



LIGHT HAMMER

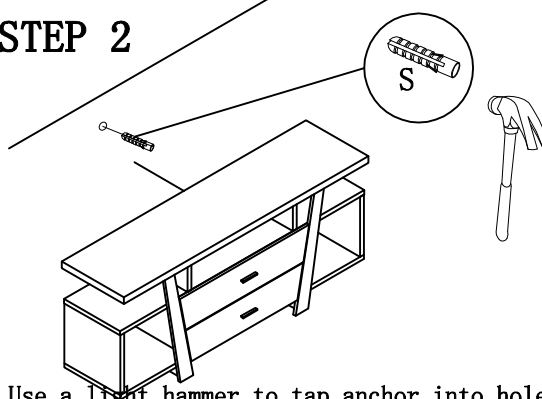
Note: Hardware included only compatible with standard drywalls.

### STEP 1



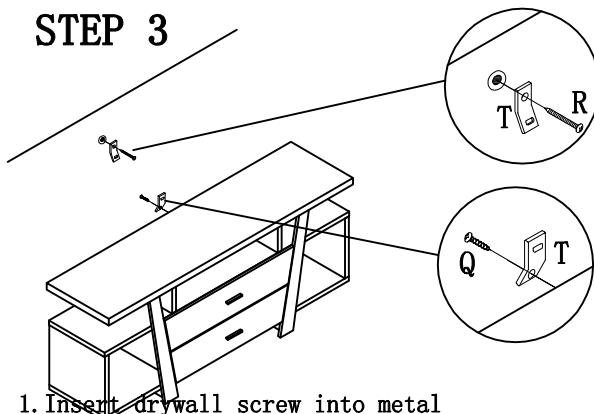
1. Find spot on wall 1" below top of item.
2. Using a drill bit slightly thinner than anchor, drill hole into drywall.

### STEP 2



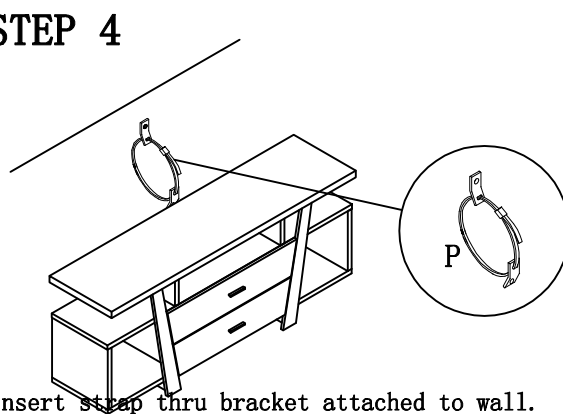
1. Use a light hammer to tap anchor into hole.
2. Anchor should fit snugly. If hole is too small, drill again to increase hole size. Do not force anchor into wall.

### STEP 3



1. Insert drywall screw into metal bracket and into drywall anchor.
2. Insert flathead screw into second metal bracket and into back of item along top edge.

### STEP 4



1. Insert strap thru bracket attached to wall, then thru bracket on item, and into head of strap.
  2. pull lightly til strap stops.
- Assembly is complete.