

ASSEMBLY INSTRUCTION

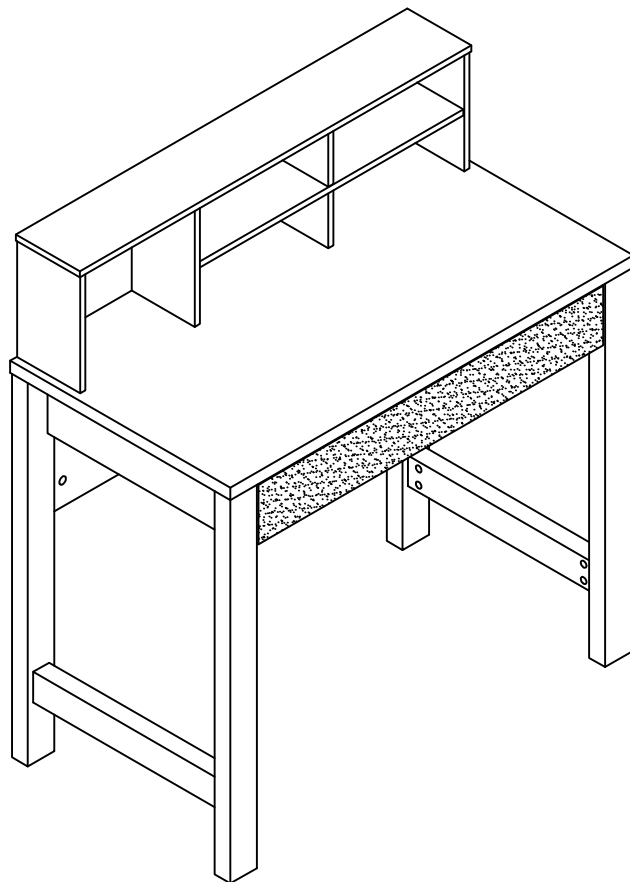
PLEASE READ BEFORE ASSEMBLING!

Tip #1: Make sure you've taken all the pieces and hardware out of its packaging before discarding the box.

Tip #2: Using page 2 and/or page 3 of instruction manual make sure all pieces and hardware are accounted for.

Tip #3: Read manual before assembling, it helps!

ITEM#: 151417/161474/172256

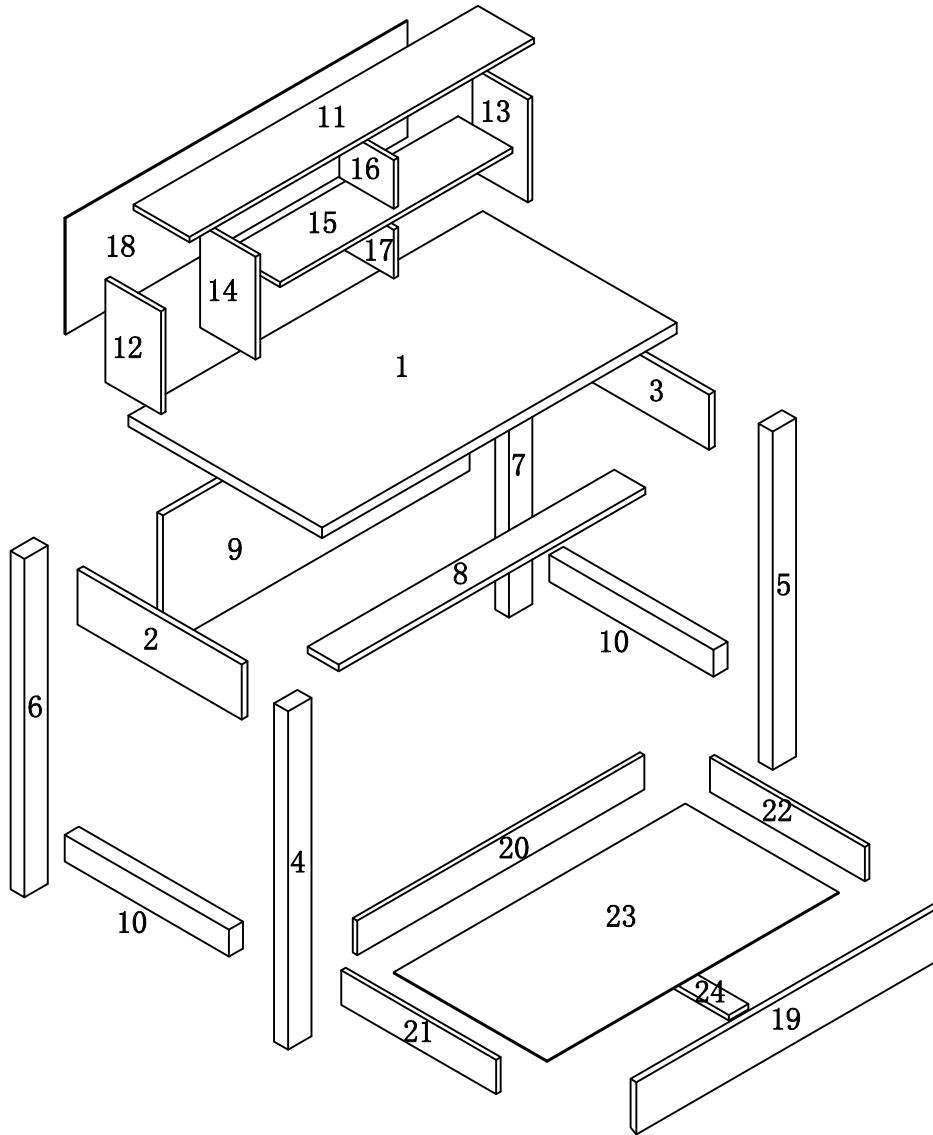


Need some help?
Scan here for
assembly video.



PARTS IDENTIFICATION


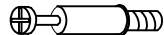

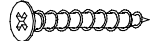

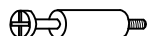



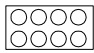


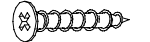
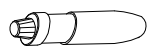




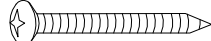
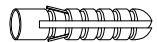

ITEM#: 151417/161474/172256



(1)	1pc	(11)	1pc	(21)	1pc
(2)	1pc	(12)	1pc	(22)	1pc
(3)	1pc	(13)	1pc	(23)	1pc
(4)	1pc	(14)	1pc	(24)	1pc
(5)	1pc	(15)	1pc		
(6)	1pc	(16)	1pc		
(7)	1pc	(17)	1pc		
(8)	1pc	(18)	1pc		
(9)	1pc	(19)	1pc		
(10)	2pcs	(20)	1pc		

HARDWARE IDENTIFICATION

ITEM#: 151417/161474/172256

A		∅6x30	4pcs
B		L20	16pcs
C		∅12	8pcs
D		∅4x40	8pcs
E		∅8x25	14pcs
F		L24	4pcs
G		∅12	12pcs
H		L29	27pcs
I		∅15	27pcs
J		∅20	22pcs
K		∅16	4pcs
L			20pcs
M		∅4x30	6pcs
N		Glue: For securing please apply to wood dowel first before inserting into panel	1pc
O		16"	1pc
P		∅3.5x12	6pcs
Q		197×5×1	1pc
R		∅4×25	1pc
S		∅5×40	1pc
T		∅8×40	1pc
U		12×12×1	2pcs

ASSEMBLY INSTRUCTION

ITEM#: 151417/161474/172256

HOW TO

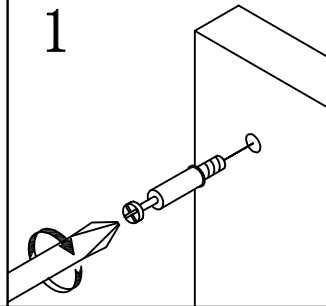


B

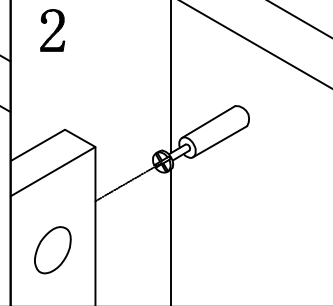


C

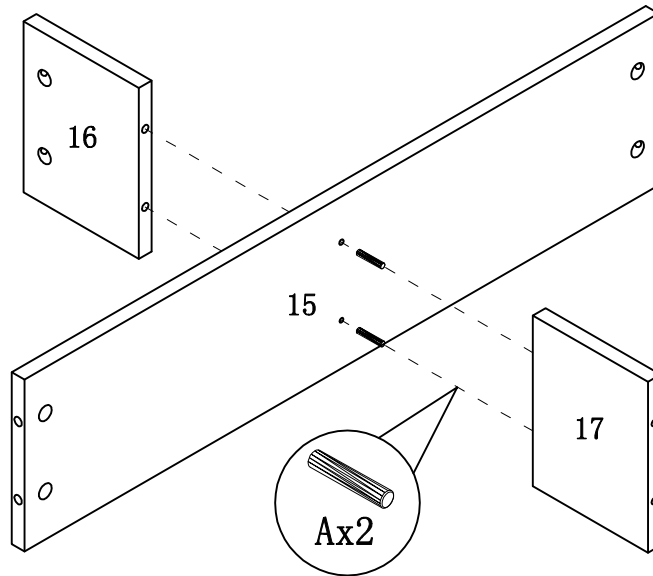
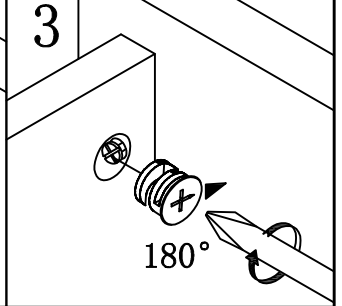
1



2

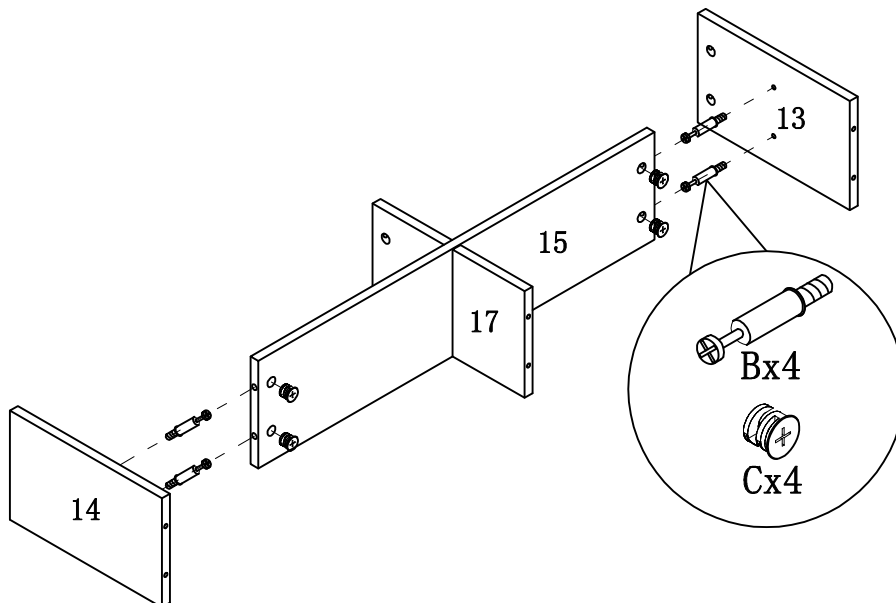


3



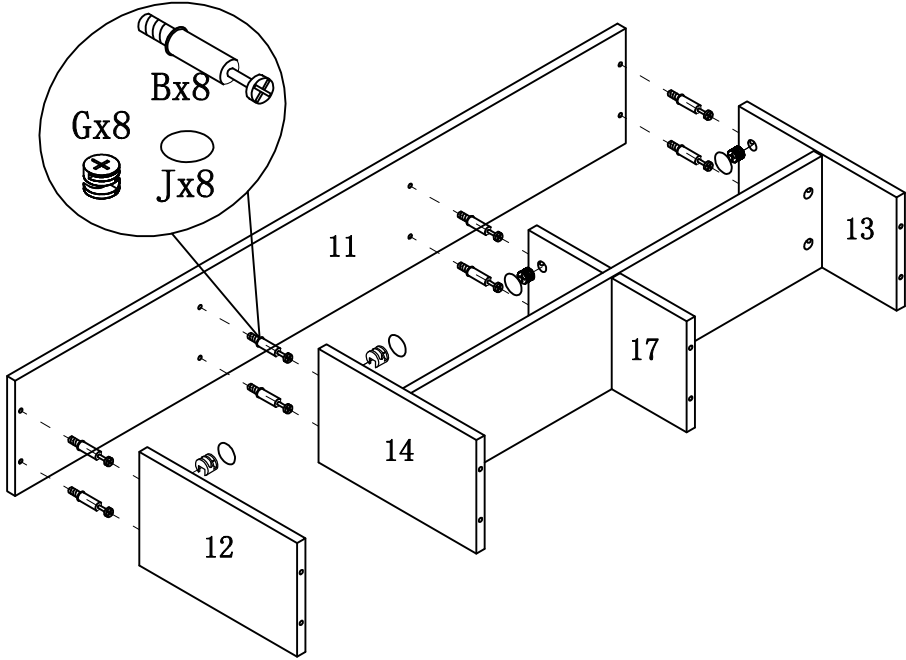
STEP 1

STEP 2



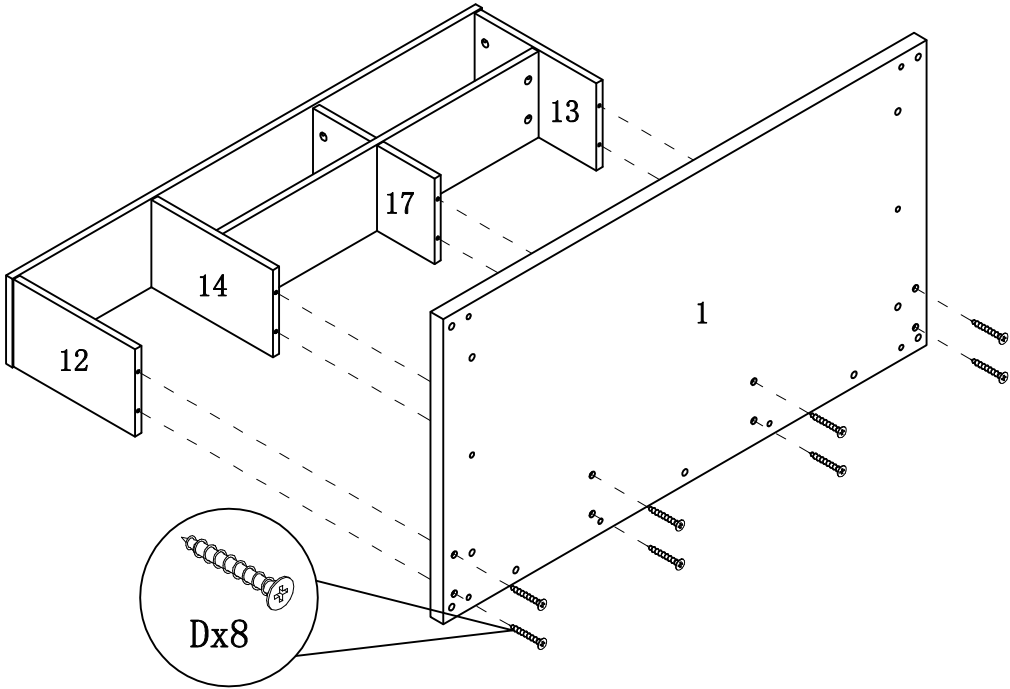
ASSEMBLY INSTRUCTION

ITEM#: 151417/161474/172256



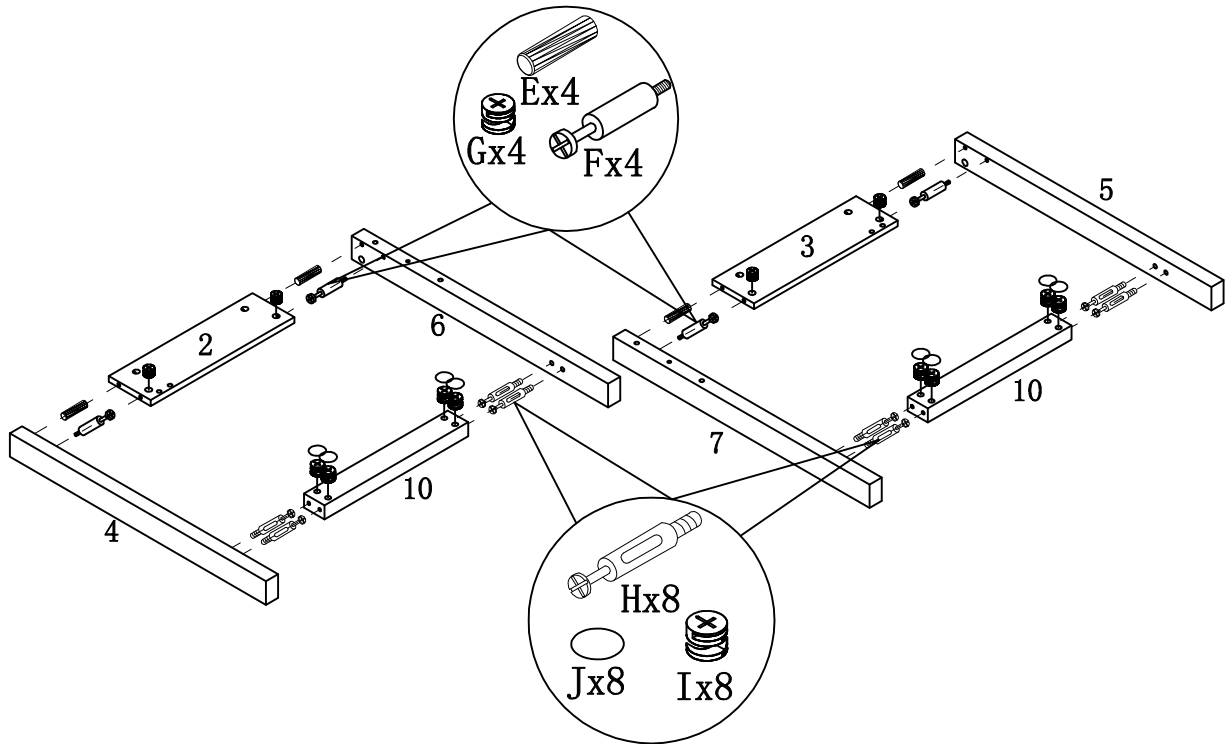
STEP3

STEP4



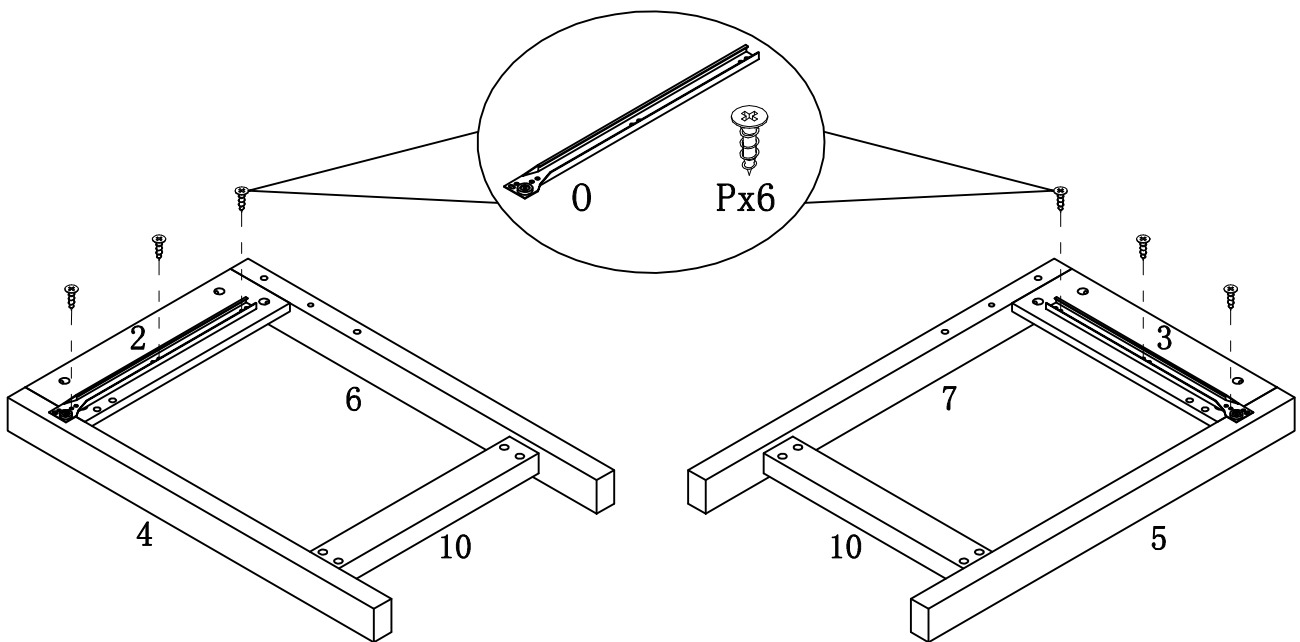
ASSEMBLY INSTRUCTION

ITEM#: 151417/161474/172256



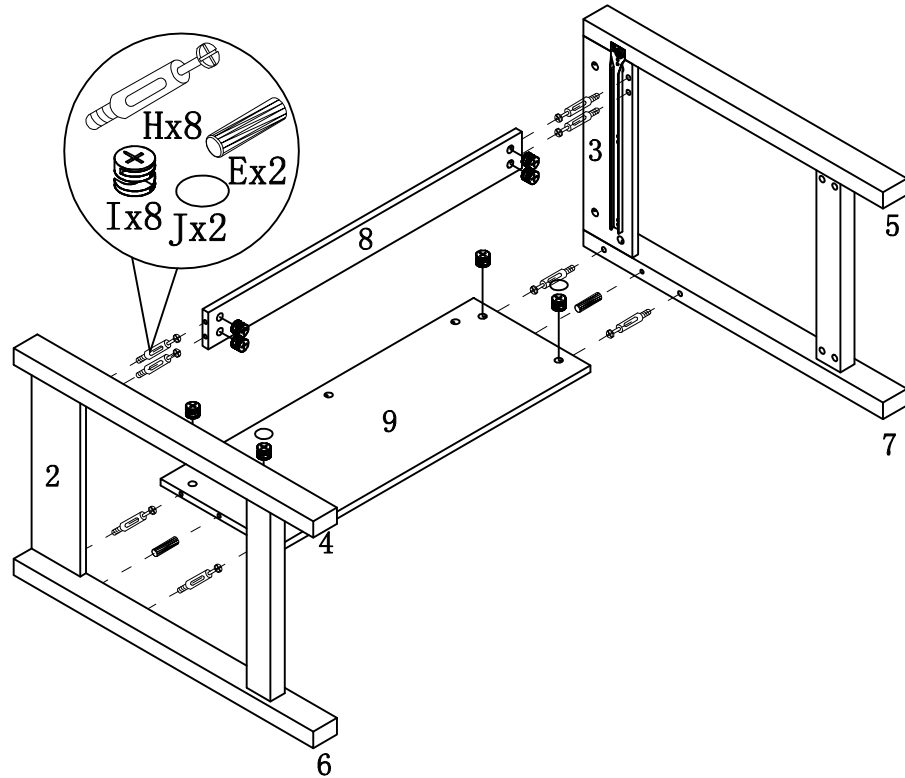
STEP5

STEP6



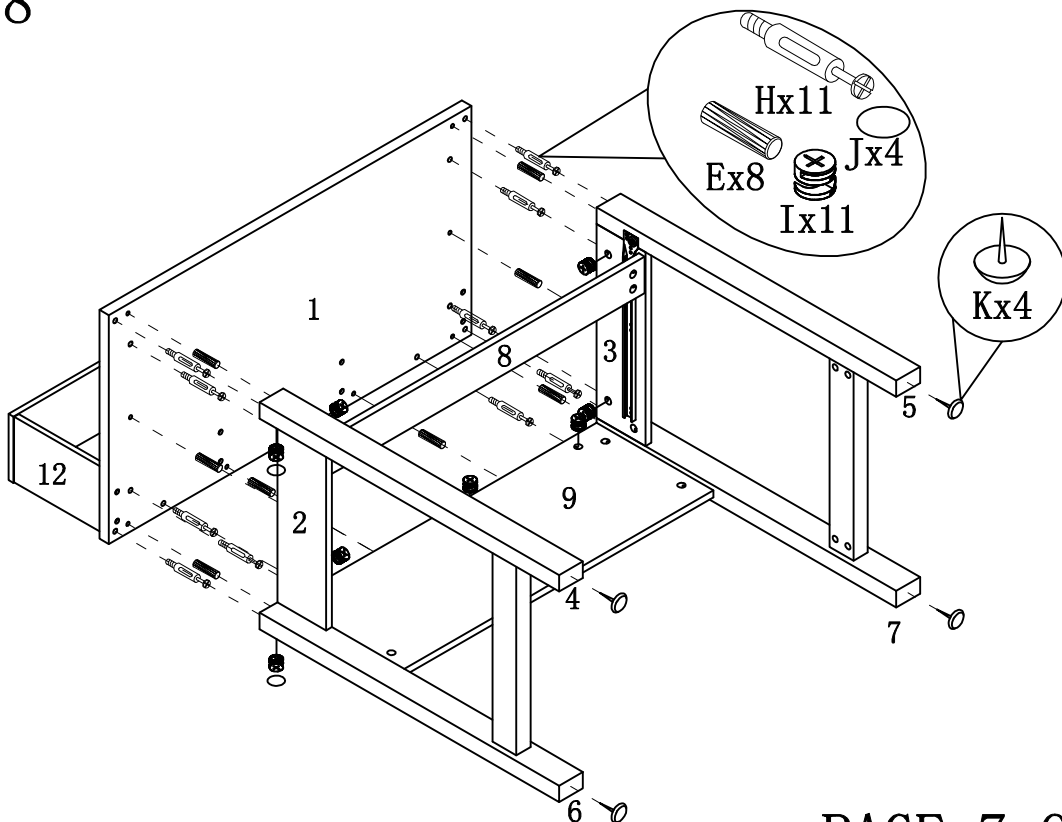
ASSEMBLY INSTRUCTION

ITEM#: 151417/161474/172256



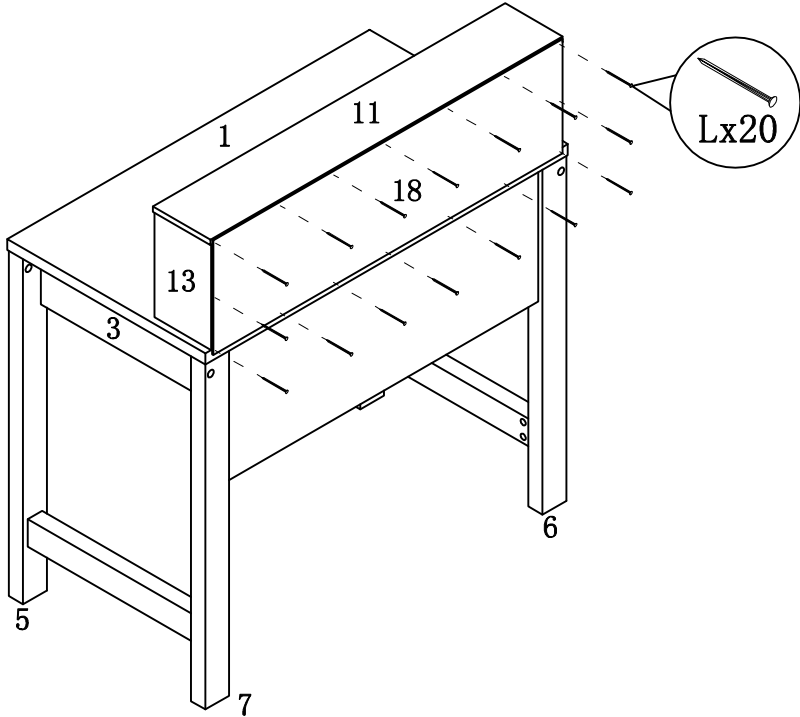
STEP7

STEP8



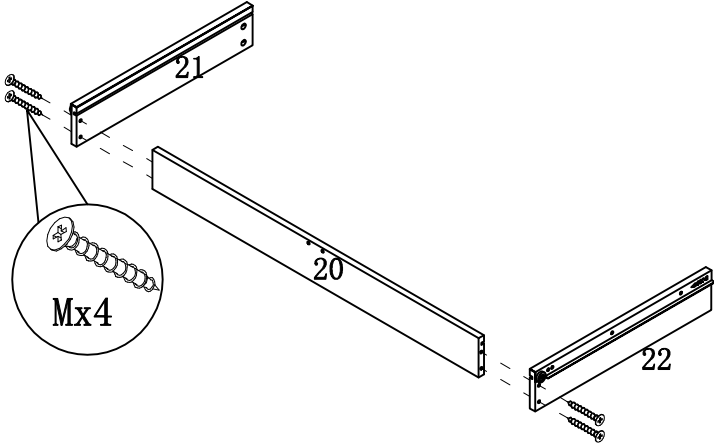
ASSEMBLY INSTRUCTION

ITEM#: 151417/161474/172256



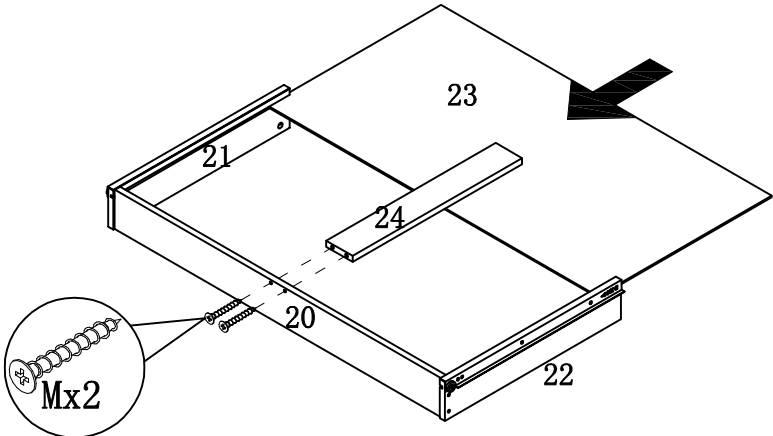
STEP9

STEP10



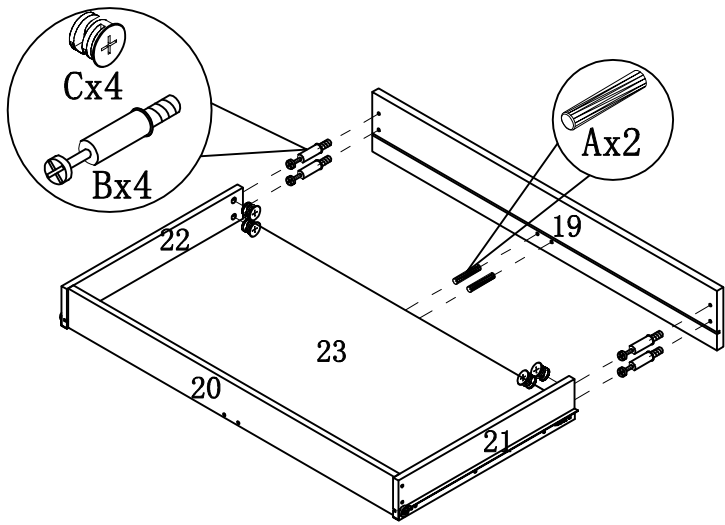
ASSEMBLY INSTRUCTION

ITEM#: 151417/161474/172256



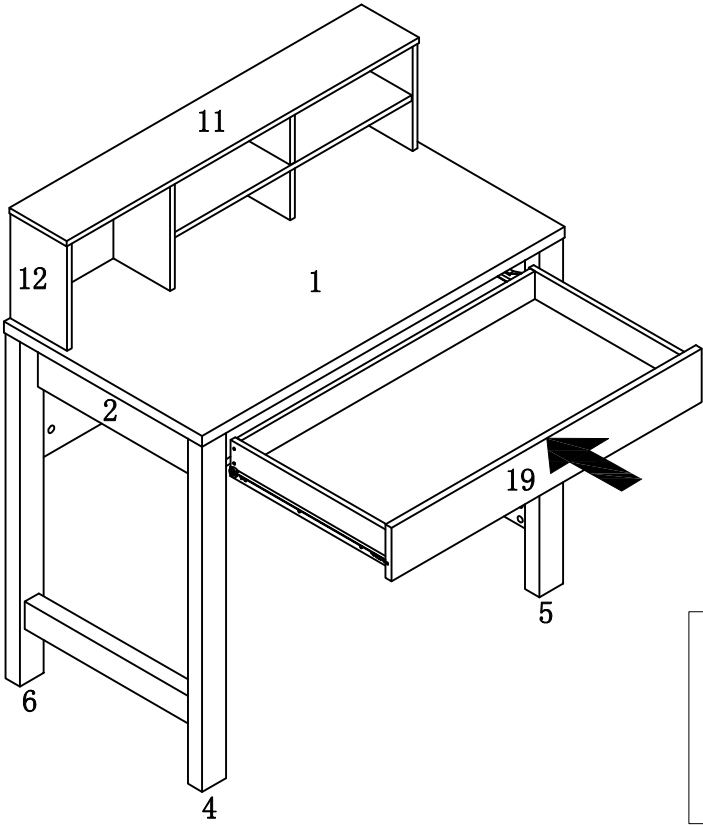
STEP11

STEP12



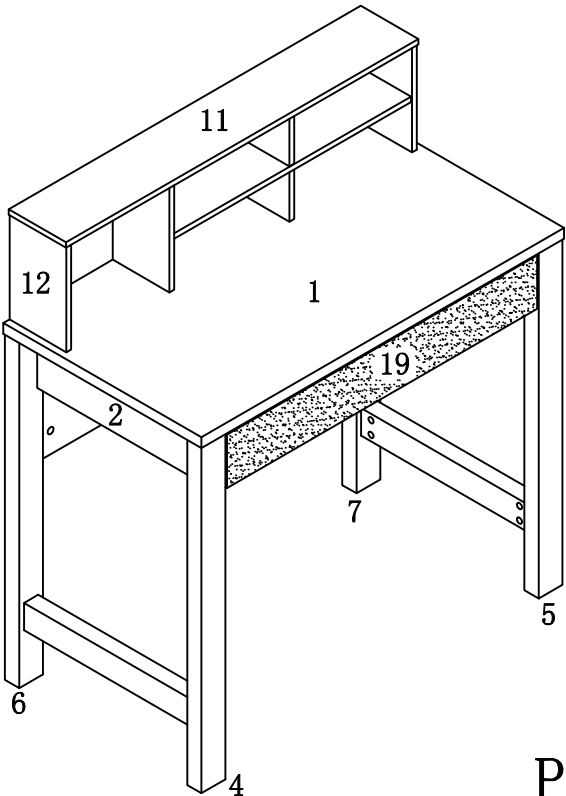
ASSEMBLY INSTRUCTION

ITEM#: 151417/161474/172256



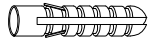
STEP13

STEP14

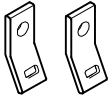


ANTI-TIPPING STRAP INSTRUCTION

HARDWARE (INCLUDED) :



DRYWALL ANCHOR $\phi 8 \times 40$ X 1PC



METAL BRACKETS $12 \times 12 \times 1$ X 2PCS



DRYWALL SCREW $\phi 5 \times 40$ X 1PC

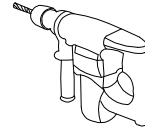


STRAP $197 \times 5 \times 1$ X 1PC



FLATHEAD SCREW $\phi 4 \times 25$ X 1PC

TOOLS NEEDED (NOT INCLUDED) :



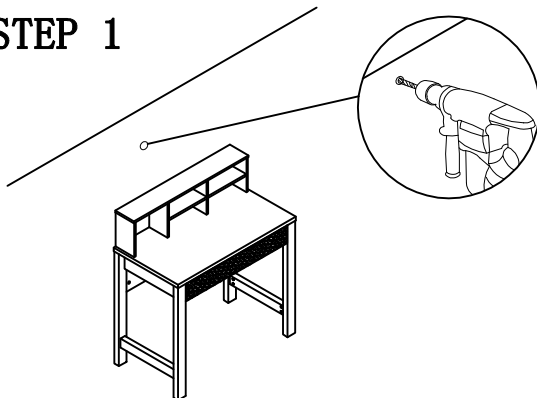
DRILL & DRILL BIT



LIGHT HAMMER

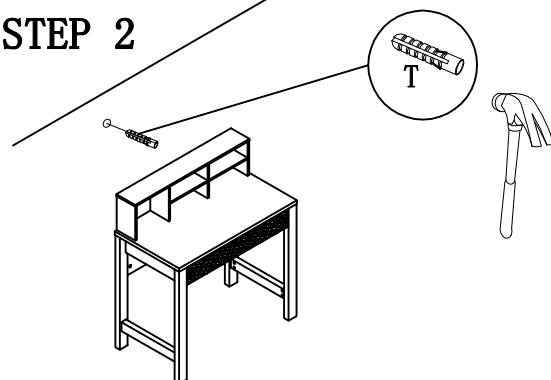
Note: Hardware included only compatible with standard drywalls.

STEP 1



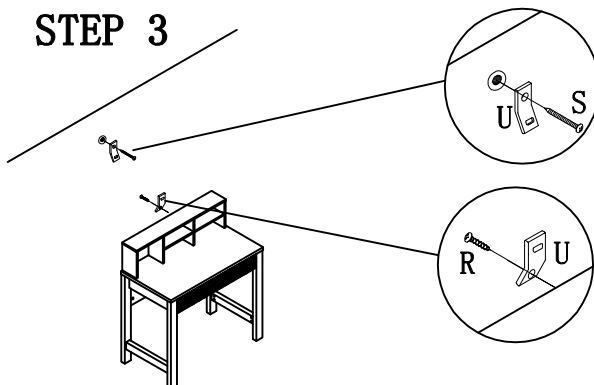
1. Find spot on wall 1" below top of item.
2. Using a drill bit slightly thinner than anchor, drill hole into drywall.

STEP 2



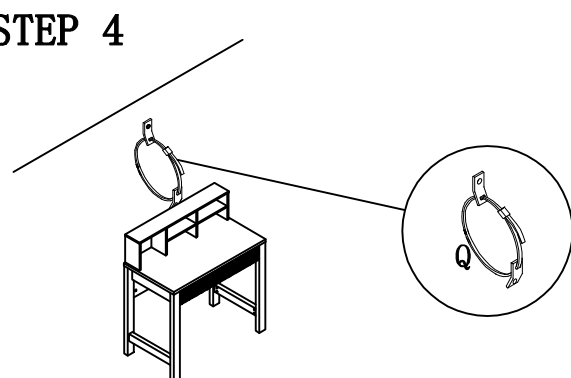
1. Use a light hammer to tap anchor into hole.
2. Anchor should fit snugly. If hole is too small, drill again to increase hole size. Do not force anchor into wall.

STEP 3



1. Insert drywall screw into metal bracket and into drywall anchor.
2. Insert flathead screw into second metal bracket and into back of item, along top edge.

STEP 4



1. Insert strap thru bracket attached to wall, then thru bracket on item, and into head of strap.
 2. pull lightly til strap stops.
- Assembly is complete.