

ASSEMBLY INSTRUCTION

PLEASE READ BEFORE ASSEMBLING!

Tip #1: Make sure you've taken all the pieces and hardware out of its packaging before discarding the box. Assembly on top of flattened box/blanket is recommended.

Tip #2: Using page 2 and/or page 3 of instruction manual make sure all pieces and hardware are accounted for.

Tip #3: Note position of all holes on each panel during assembly.

ITEM#: 161627 192620

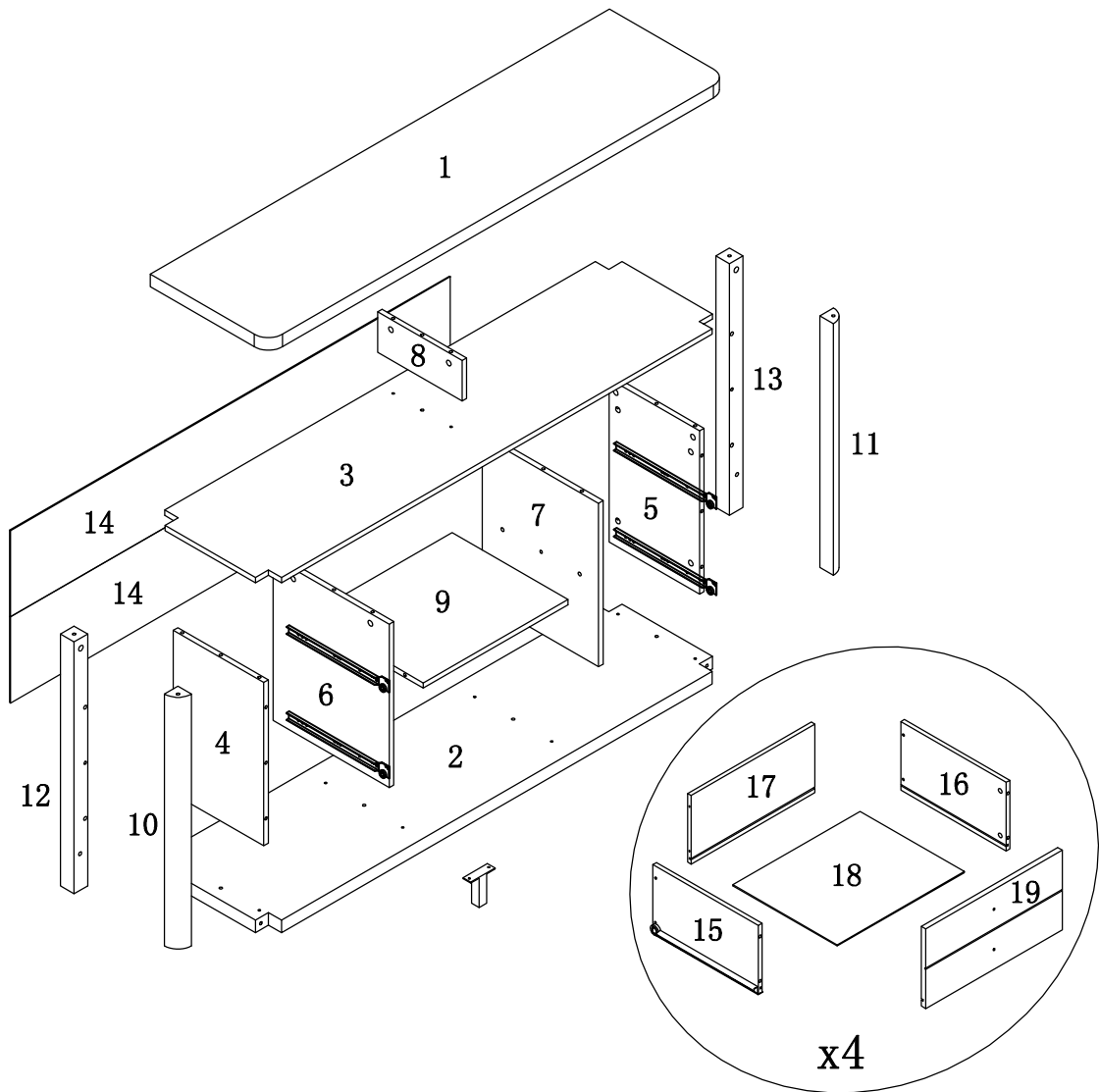


Need some help?
Scan here for
assembly video.



PARTS IDENTIFICATION



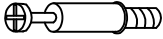



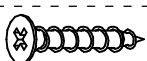
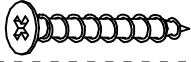




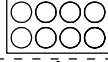


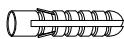


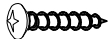

ITEM#:161627 192620



(1)	1pc	(7)	1pc	(13)	1pc
(2)	1pc	(8)	1pc	(14)	2pcs
(3)	1pc	(9)	1pc	(15)	4pcs
(4)	1pc	(10)	1pc	(16)	4pcs
(5)	1pc	(11)	1pc	(17)	4pcs
(6)	1pc	(12)	1pc	(18)	4pcs
				(19)	4pcs

HARDWARE IDENTIFICATION

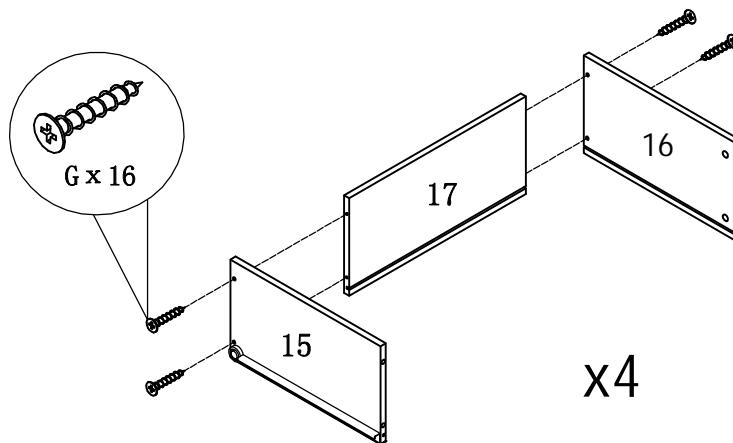
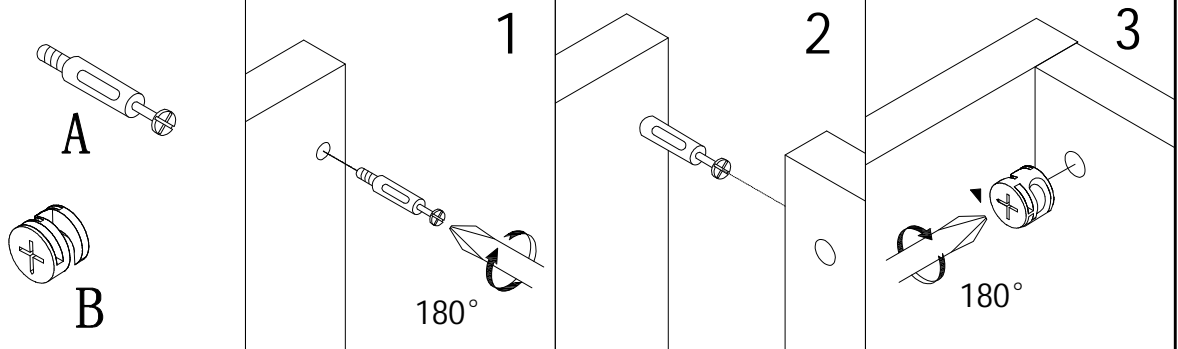
ITEM#: 161627 192620

A		L29	30pcs
B		ø15	30pcs
C		L20	16pcs
D		ø12	16pcs
E		ø8 x 25	16pcs
F		ø6 x 12	2pcs
G		ø4 x 30	18pcs
H		ø4 x 45	8pcs
I			8pcs
J		M4 x 22	8pcs
K		Z1016	32pcs
L		ø16	4pcs
M		ø20	10pcs
N		80x25x87	1pc
O		197x5x1	1pc
P		ø8x40	1pc
Q		12x12x1	2pcs
R		ø5x40	1pc
S		ø4x25	1pc
T		Glue: For securing please apply to wood dowel first before inserting into panel	1pc

ASSEMBLY INSTRUCTION

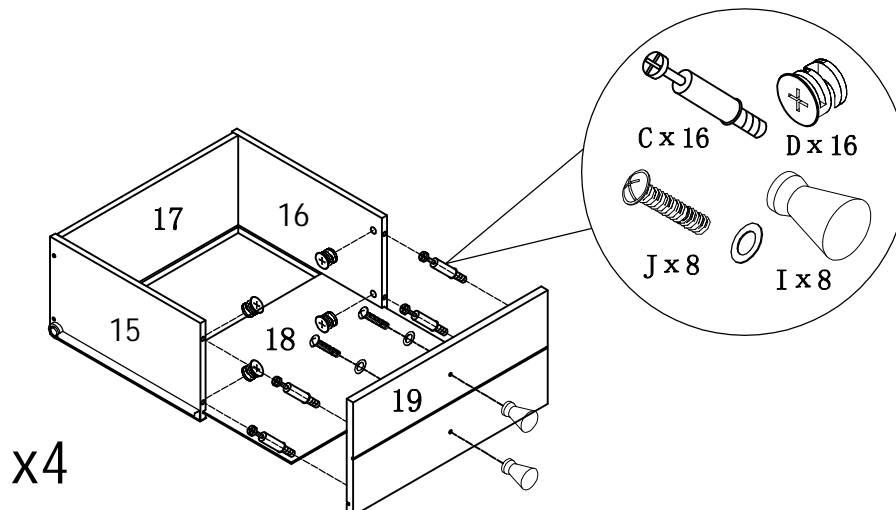
ITEM#: 161627 192620

HOW TO



STEP 1

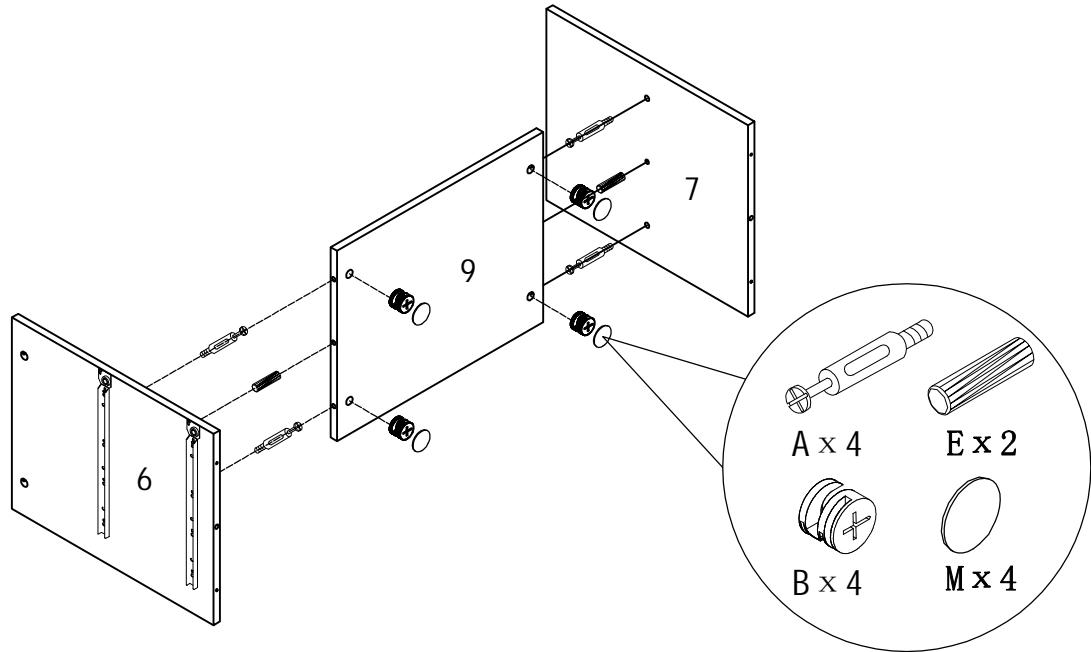
STEP 2



PAGE 4 OF 10

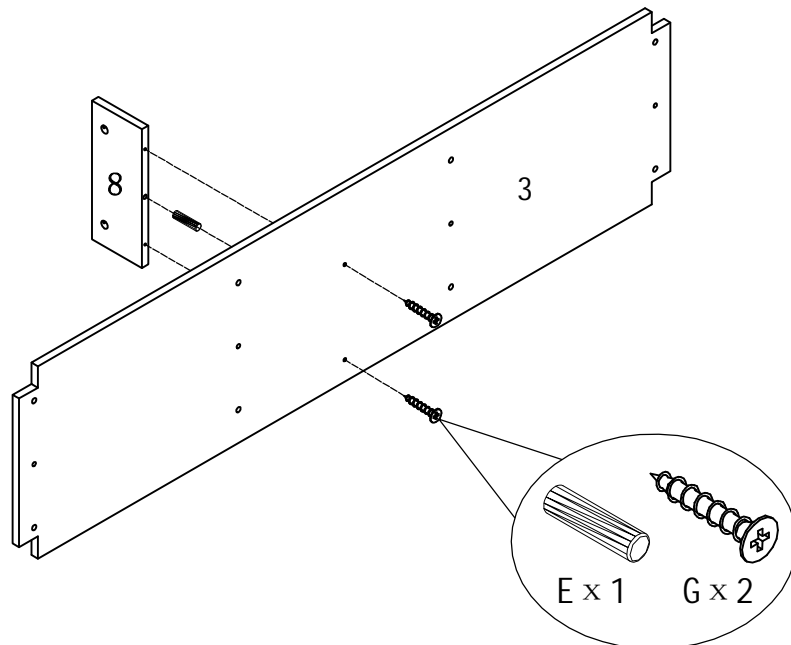
ASSEMBLY INSTRUCTION

ITEM#: 161627 192620



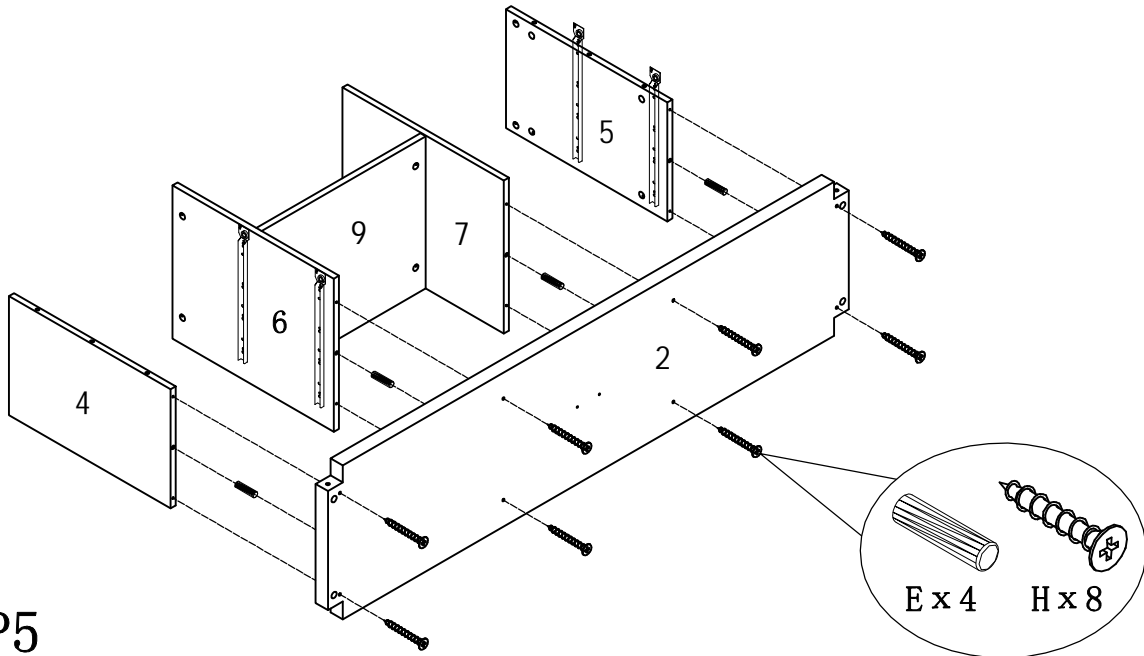
STEP3

STEP4



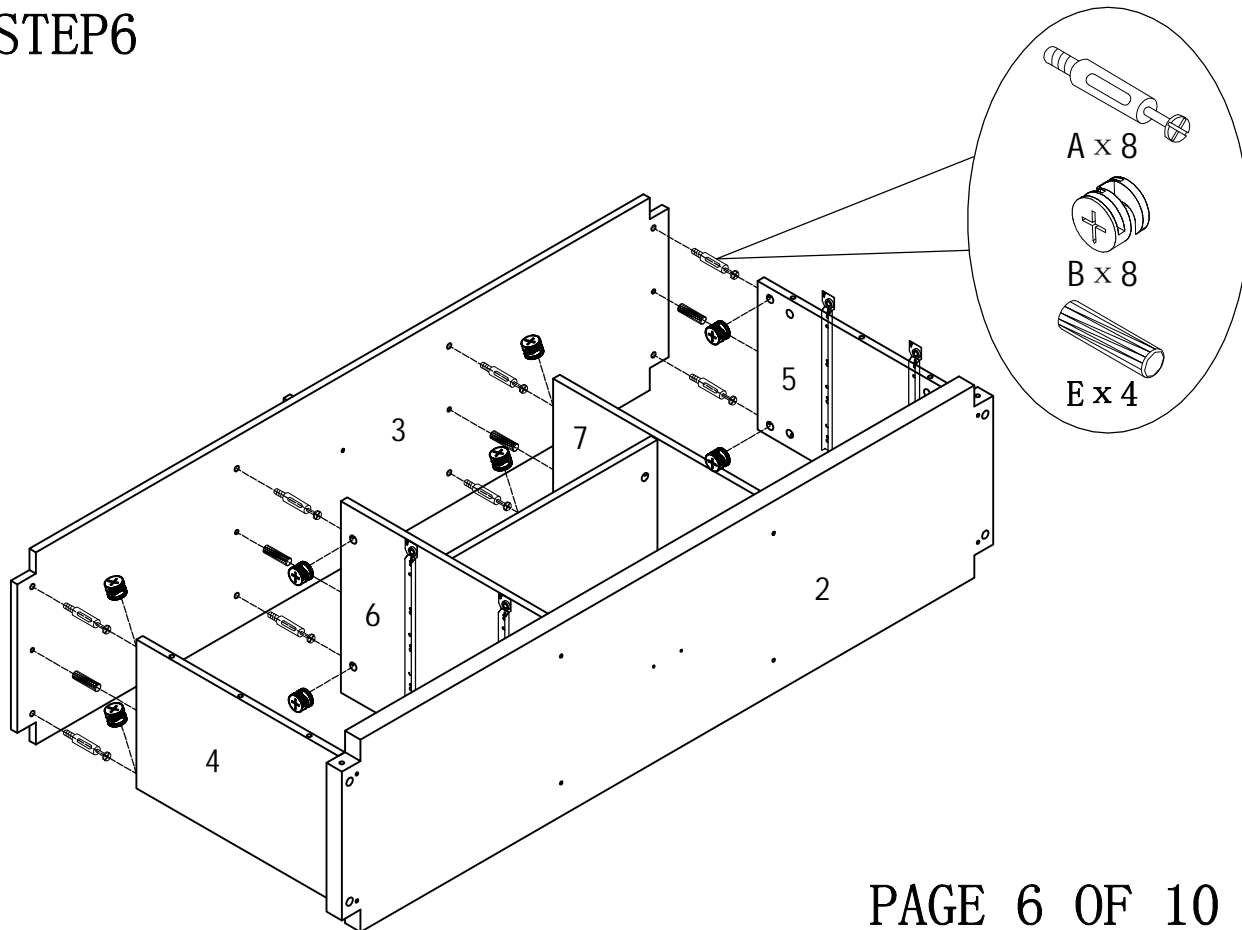
ASSEMBLY INSTRUCTION

ITEM#: 161627 192620



STEP 5

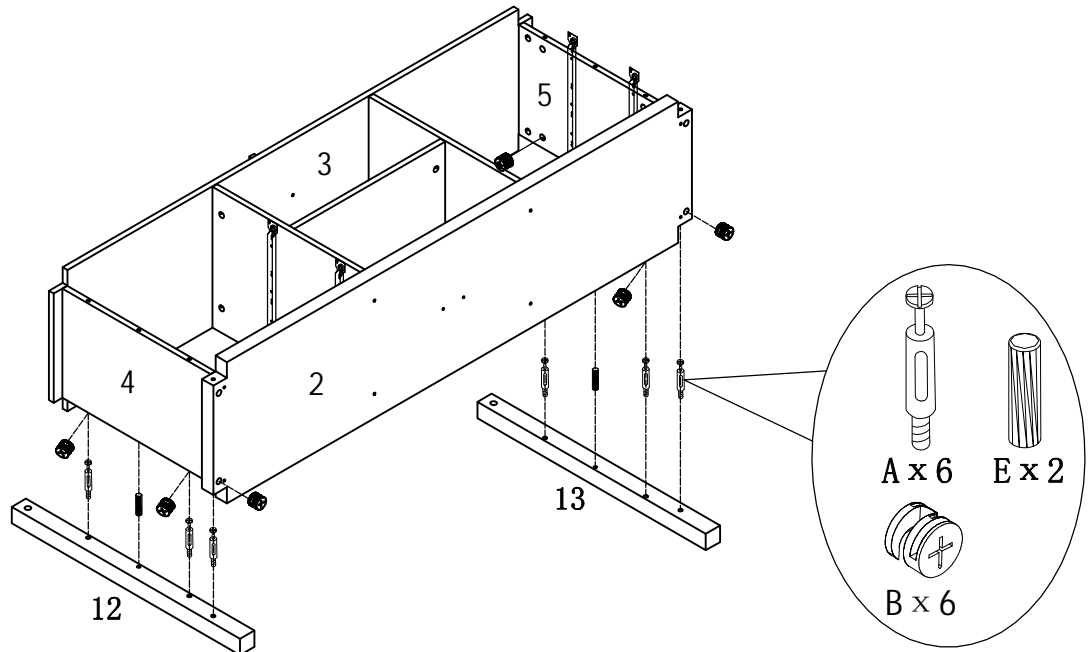
STEP 6



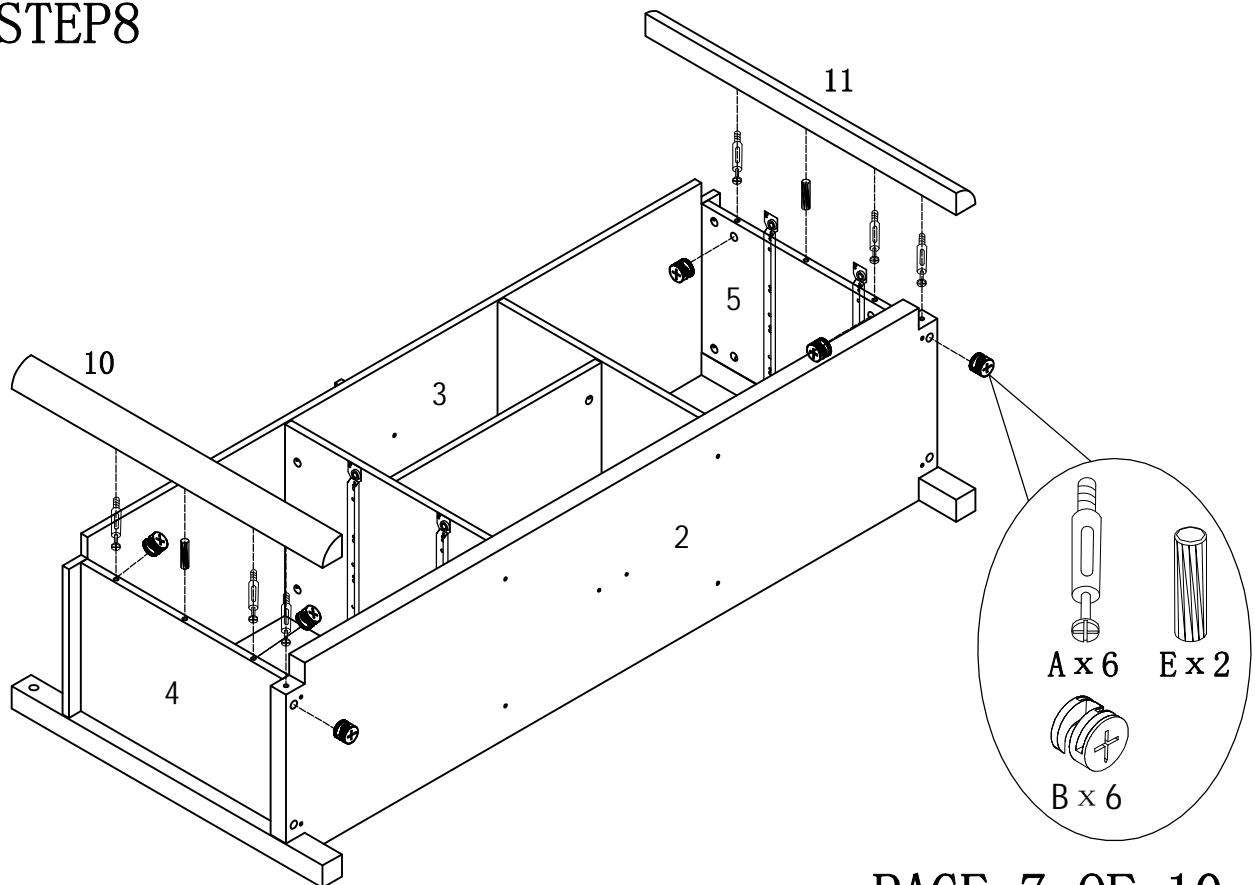
PAGE 6 OF 10

ASSEMBLY INSTRUCTION

ITEM#: 161627 192620

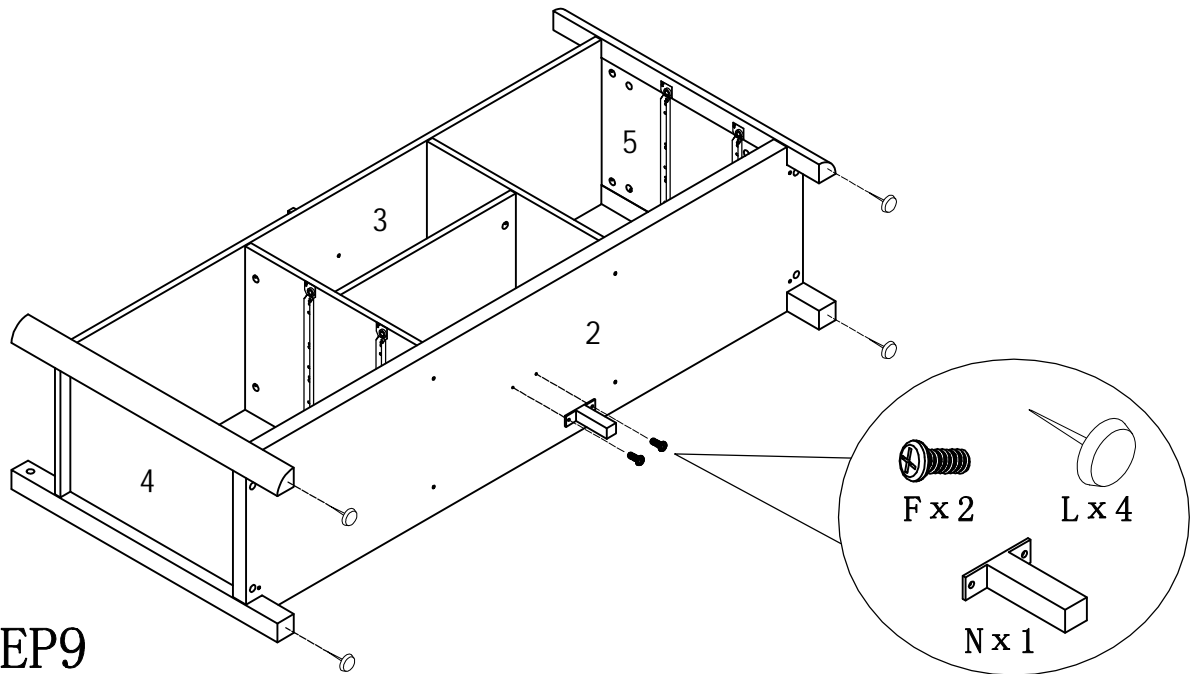


STEP 8

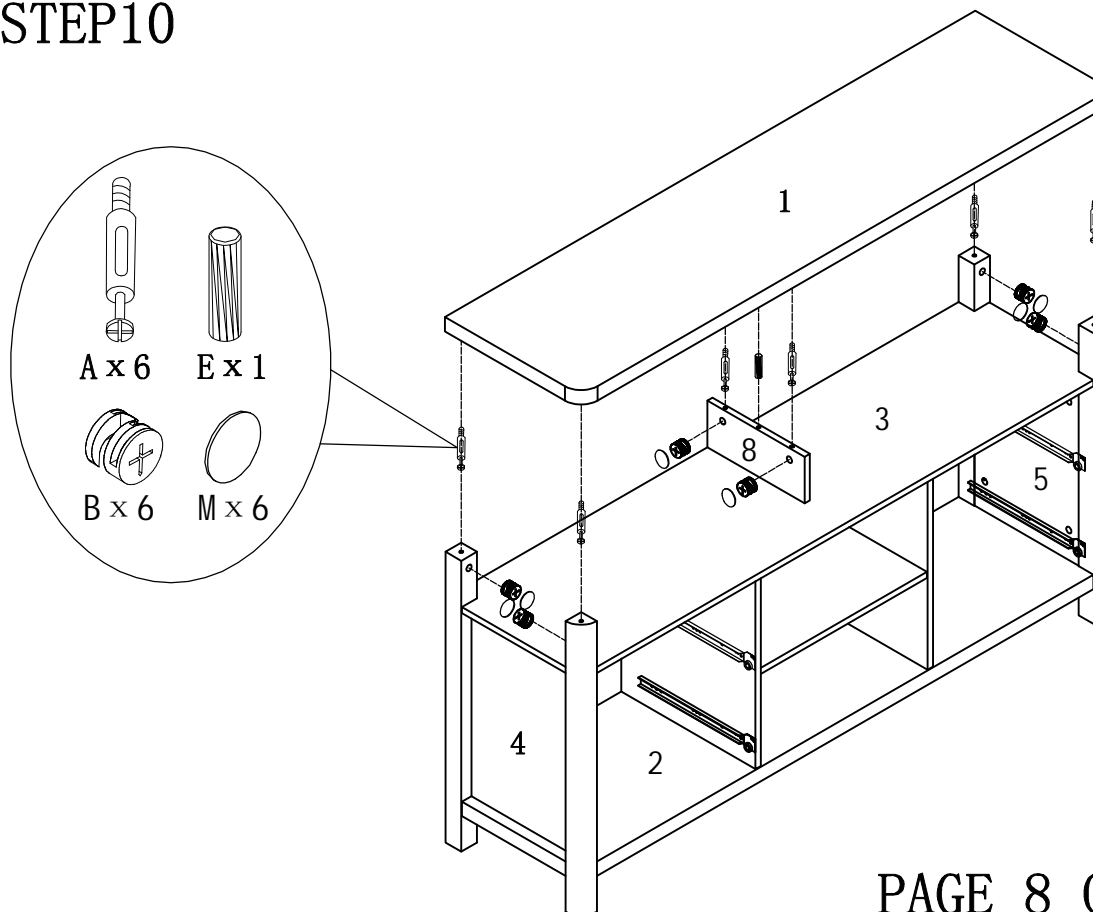


ASSEMBLY INSTRUCTION

ITEM#:161627 192620

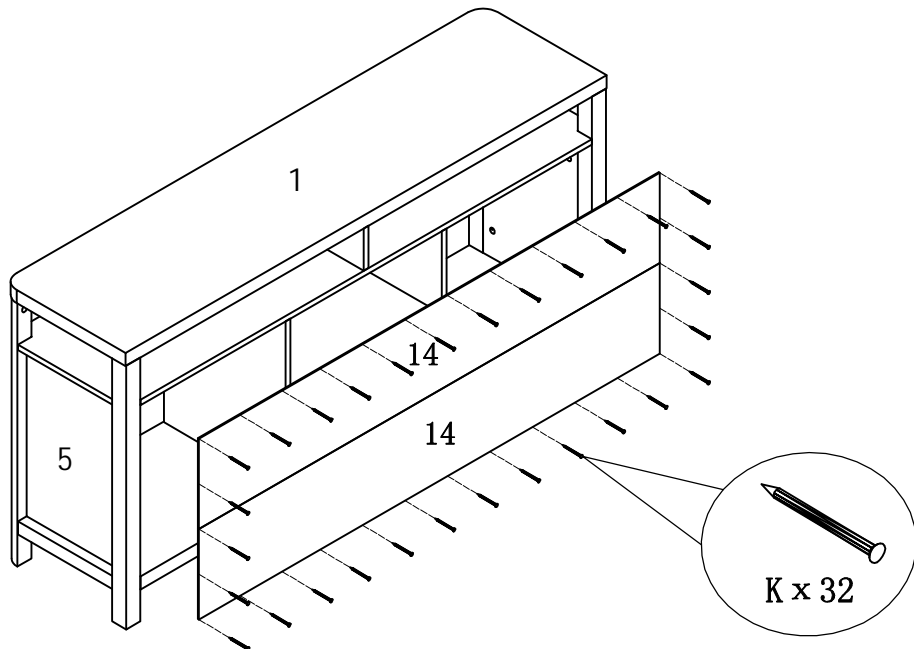


STEP 10



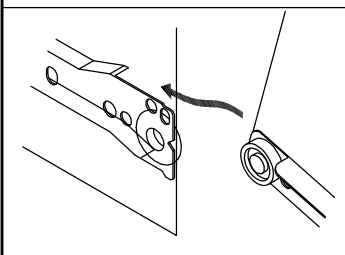
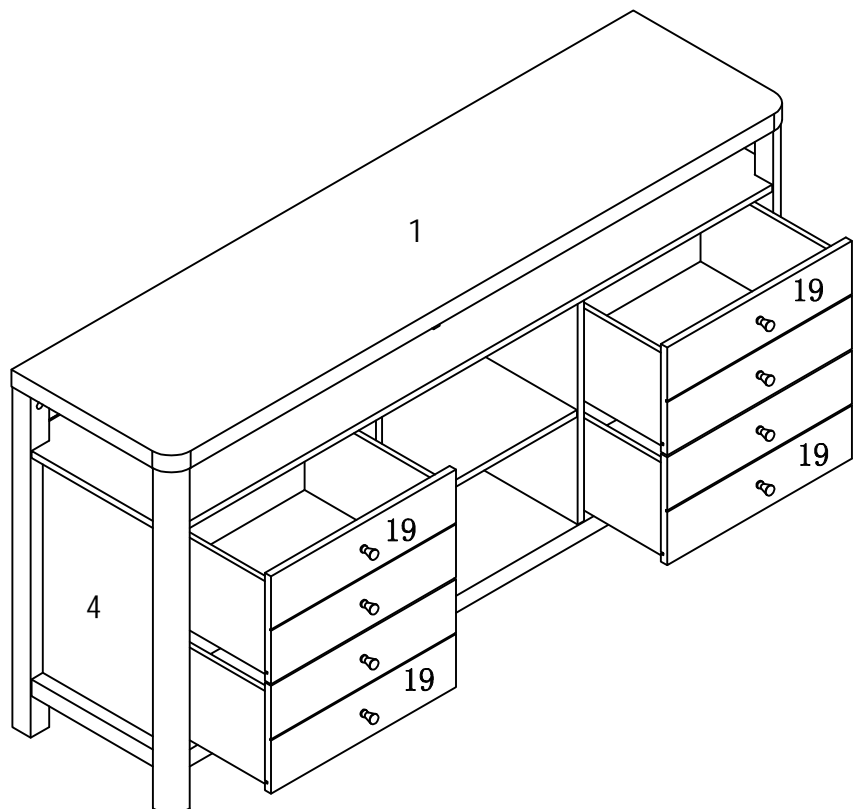
ASSEMBLY INSTRUCTION

ITEM#: 161627 192620



STEP 11

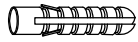
STEP 12



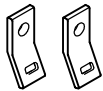
ANTI-TIPPING STRAP INSTRUCTION

HARDWARE (INCLUDED) :

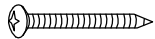
TOOLS NEEDED (NOT INCLUDED) :



DRYWALL ANCHOR $\phi 8 \times 40$ X 1PC



METAL BRACKETS $12 \times 12 \times 1$ X 2PCS



DRYWALL SCREW $\phi 5 \times 40$ X 1PC



STRAP $197 \times 5 \times 1$ X 1PC



FLATHEAD SCREW $\phi 4 \times 25$ X 1PC



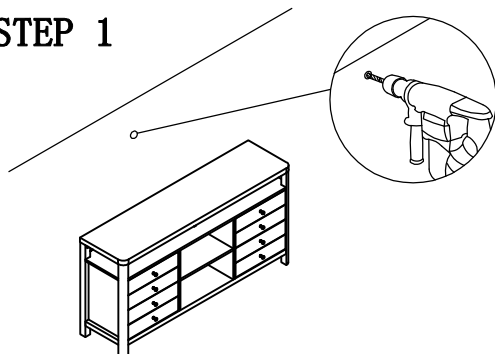
DRILL & DRILL BIT



LIGHT HAMMER

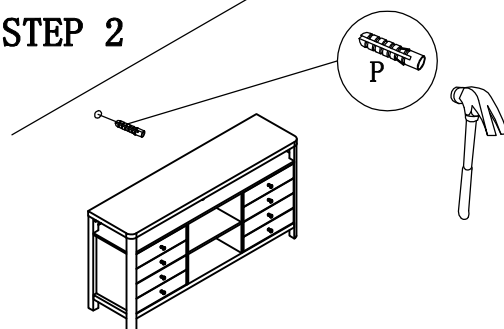
Note: Hardware included only compatible with standard drywalls.

STEP 1



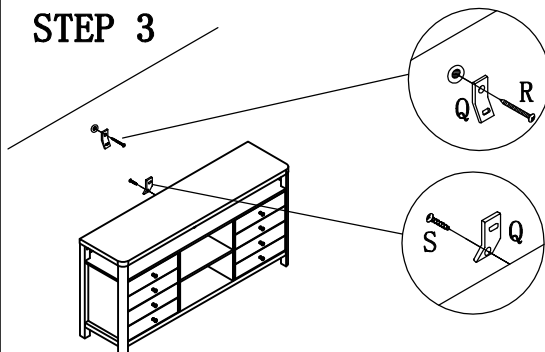
1. Find spot on wall 1" below top of item.
2. Using a drill bit slightly thinner than anchor, drill hole into drywall.

STEP 2



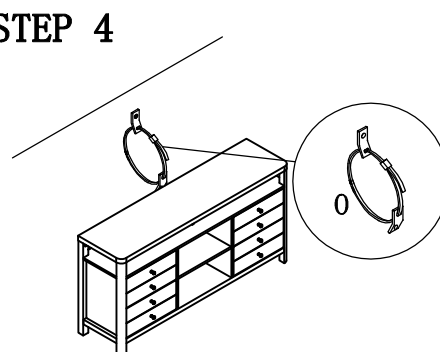
1. Use a light hammer to tap anchor into hole.
2. Anchor should fit snugly. If hole is too small, drill again to increase hole size. Do not force anchor into wall.

STEP 3



1. Insert drywall screw into metal bracket and into drywall anchor.
2. Insert flathead screw into second metal bracket and into back of item, along top edge.

STEP 4



1. Insert strap thru bracket attached to wall, then thru bracket on item, and into head of strap.
 2. pull lightly til strap stops.
- Assembly is complete.