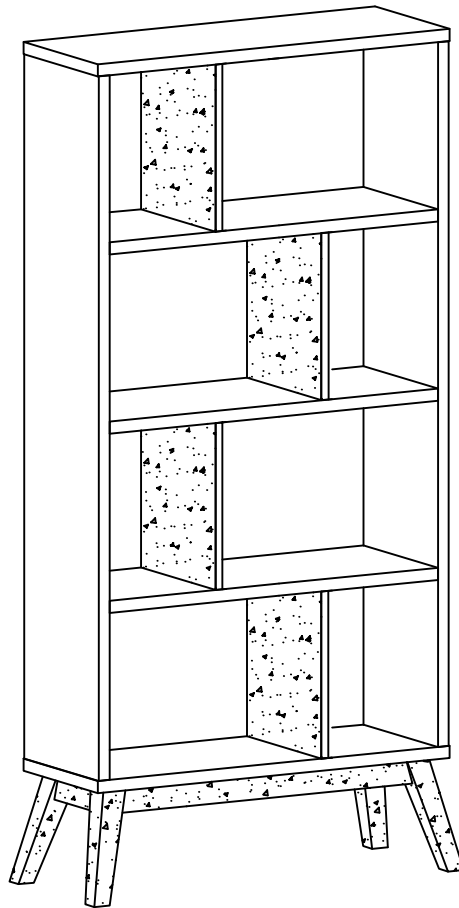


# ASSEMBLY INSTRUCTION

---

ITEM#: 161664



# ASSEMBLY INSTRUCTION

---

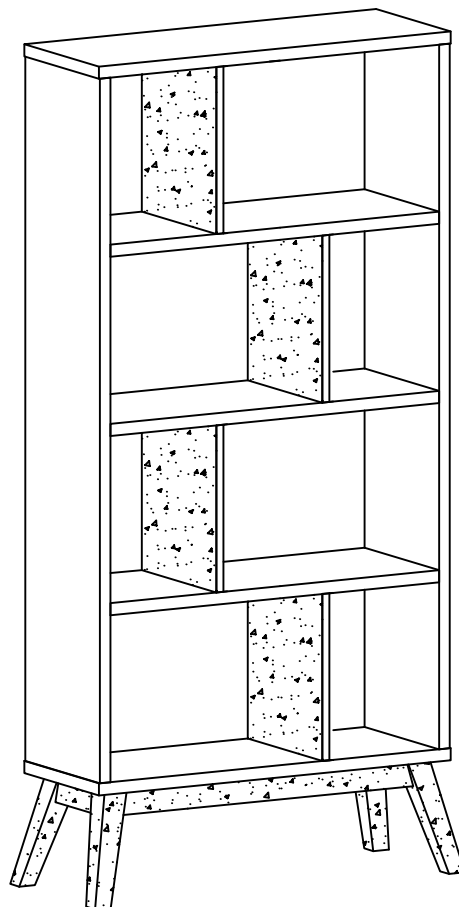
## PLEASE READ BEFORE ASSEMBLING!

Tip #1: Make sure you've taken all the pieces and hardware out of its packaging before discarding the box.

Tip #2: Using page 2 and/or page 3 of instruction manual make sure all pieces and hardware are accounted for.

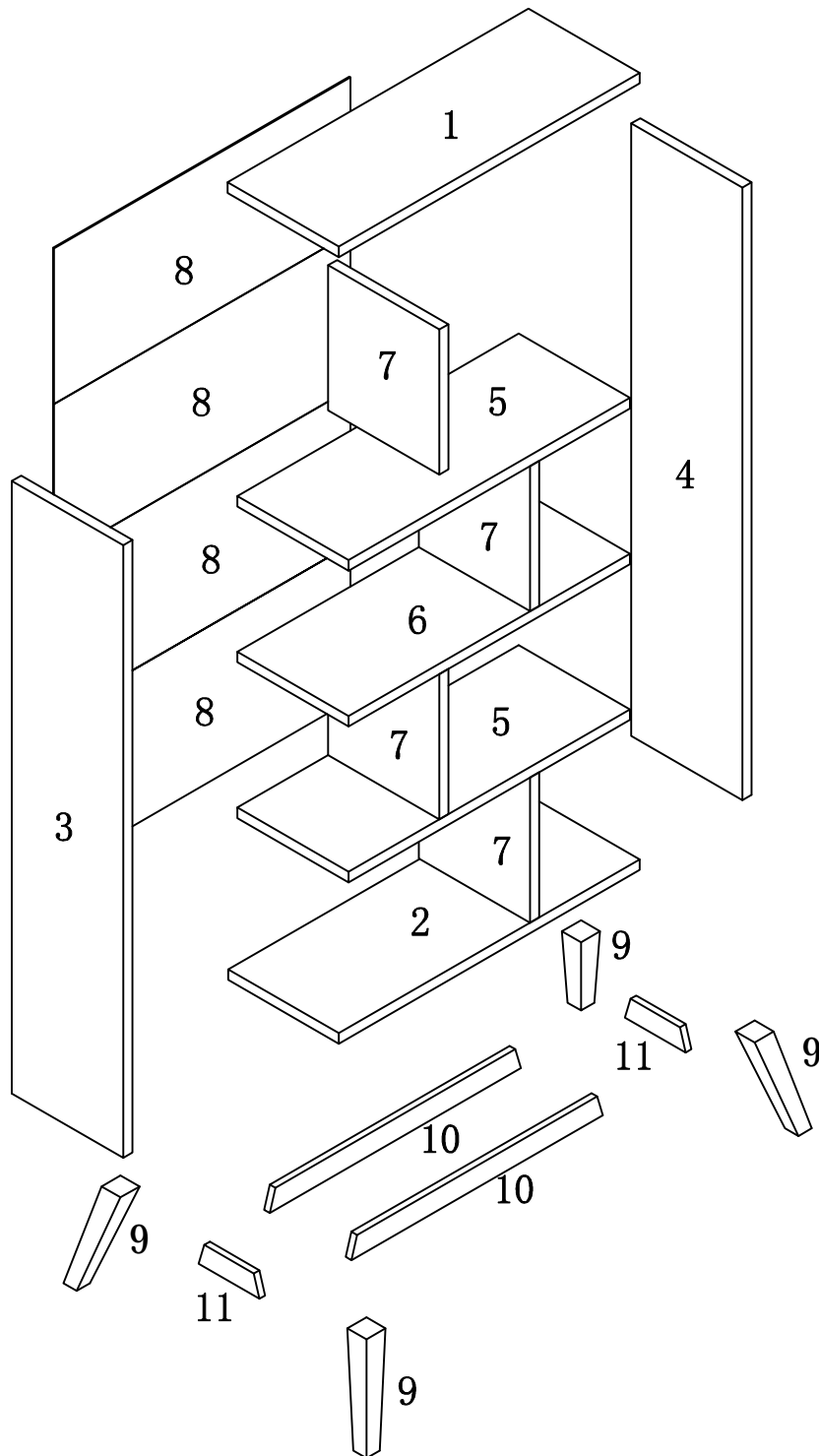
Tip #3: Read manual before assembling, it helps!

ITEM#: 161664



# PARTS IDENTIFICATION

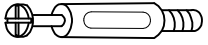


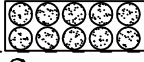
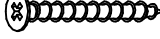
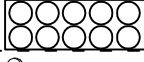

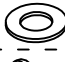



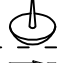


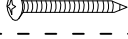
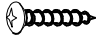


ITEM#: 161664



|     |      |      |      |      |      |
|-----|------|------|------|------|------|
| (1) | 1pc  | (6)  | 2pcs | (11) | 2pcs |
| (2) | 1pc  | (7)  | 4pcs |      |      |
| (3) | 1pc  | (8)  | 4pcs |      |      |
| (4) | 1pc  | (9)  | 4pcs |      |      |
| (5) | 2pcs | (10) | 2pcs |      |      |

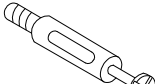

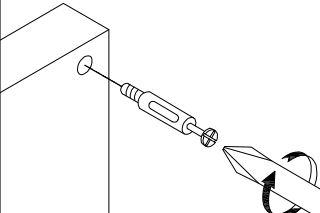
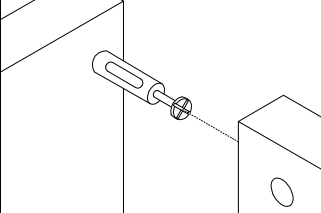
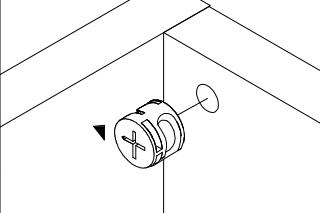
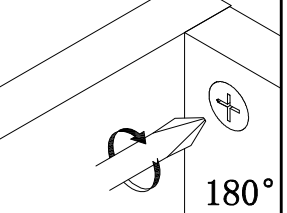
# HARDWARE IDENTIFICATION

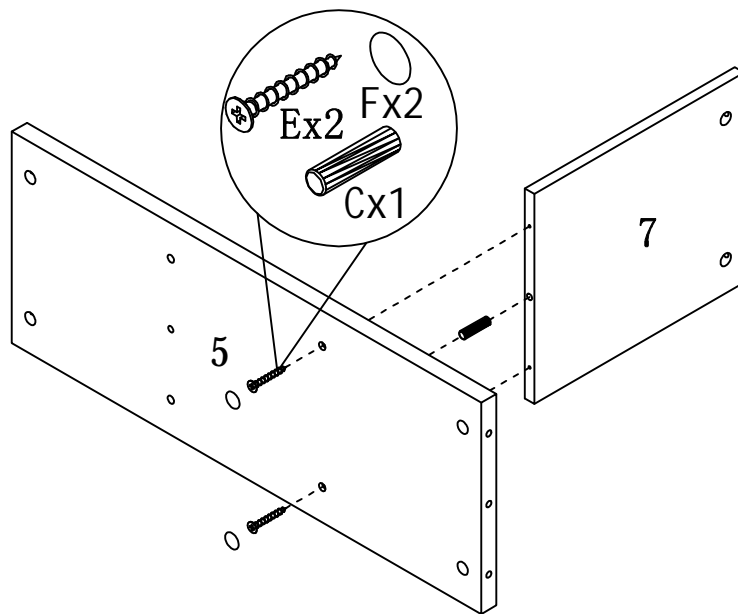
ITEM#: 161664

|   |   |   |       |
|---|---|---|-------|
| A |    | L29   | 36pcs |
| B |    | φ 15  | 36pcs |
| C |    | φ 8 x 25  | 22pcs |
| D |    | φ 20  | 8pcs  |
| E |    | □ 4 x 40  | 8pcs  |
| F |    | φ 22  | 14pcs |
| G |    | M7 x 48   | 4pcs  |
| H |    | φ 8 x φ 16x2  | 8pcs  |
| I |    | M8 x 35   | 4pcs  |
| J |    | M5  | 1pc   |
| K |    |   | 60pcs |
| L |  | φ 16  | 4pcs  |
| M |  | φ 8x40  | 1pc   |
| N |  | φ 12x12x1   | 2pcs  |
| O |  | φ 5x40  | 1pc   |
| P |  | φ 4x25  | 1pc   |
| Q |  | 197×5×1   | 1pc   |
| R |  | Glue: For securing please apply to wood dowel first before inserting into panel | 1pc   |

# ASSEMBLY INSTRUCTION

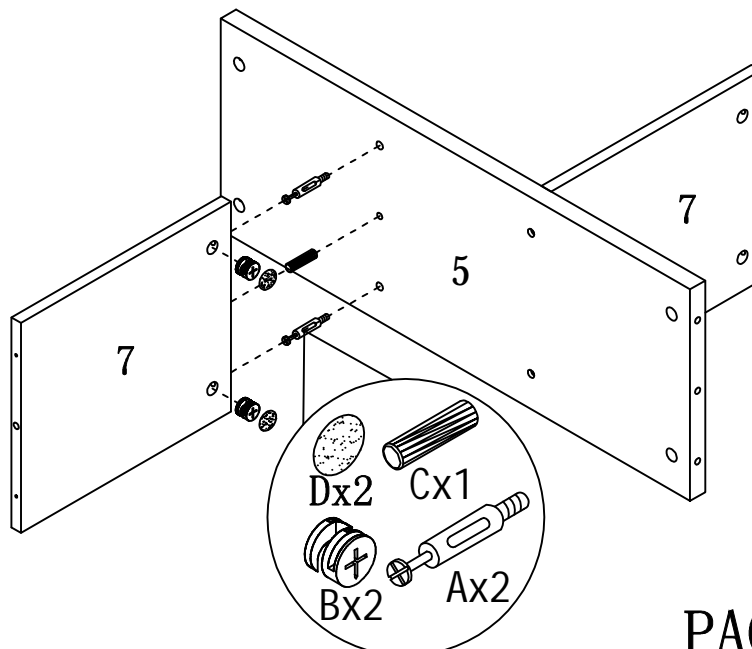
ITEM#: 161664

| HOW TO  | 1   | 2   | 3  | 4   |
|---|---|---|--|---|
| <br>Cam Bolt<br><br><br>Cam Lock |  |  |  | <br>180° |
|   | 1. Screw Cam Bolt into panel.   | 2. Insert Cam Bolt into bolt hole of joining panel.                               | 3. Insert Cam Lock. arrow facing bolt.   | 4. Gently turn Cam Lock clockwise to lock position.   |



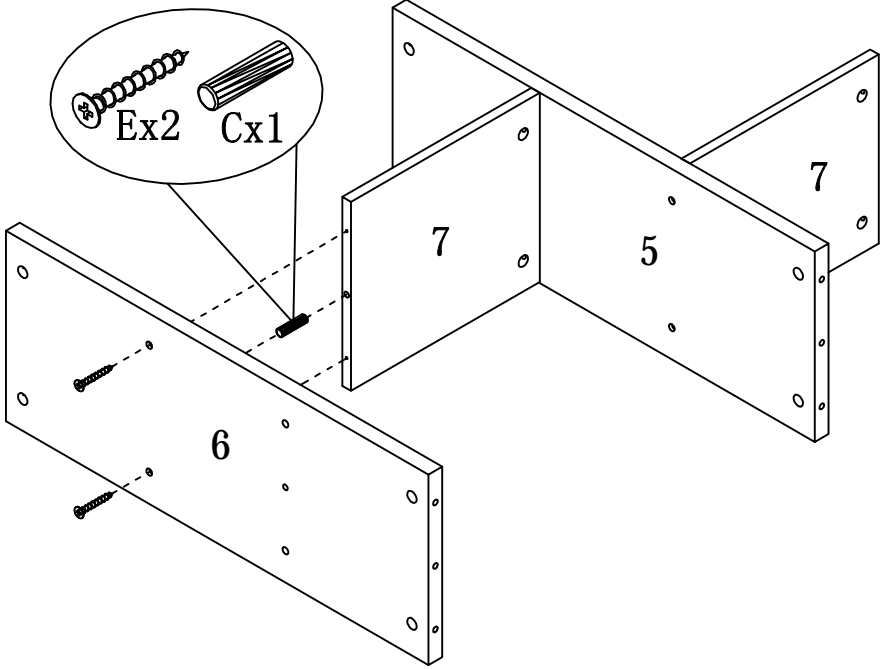
STEP1

STEP2



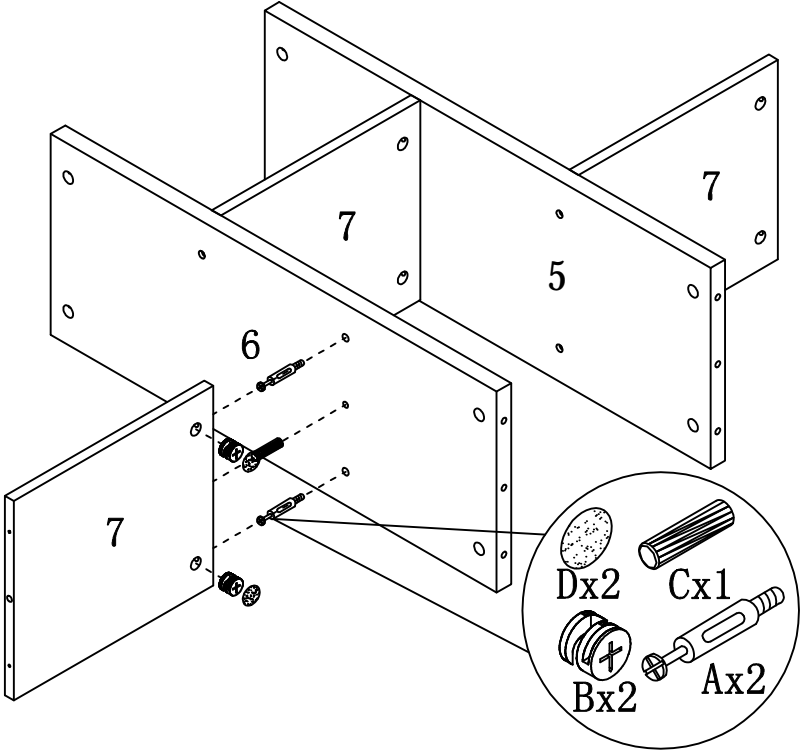
# ASSEMBLY INSTRUCTION

ITEM#: 161664



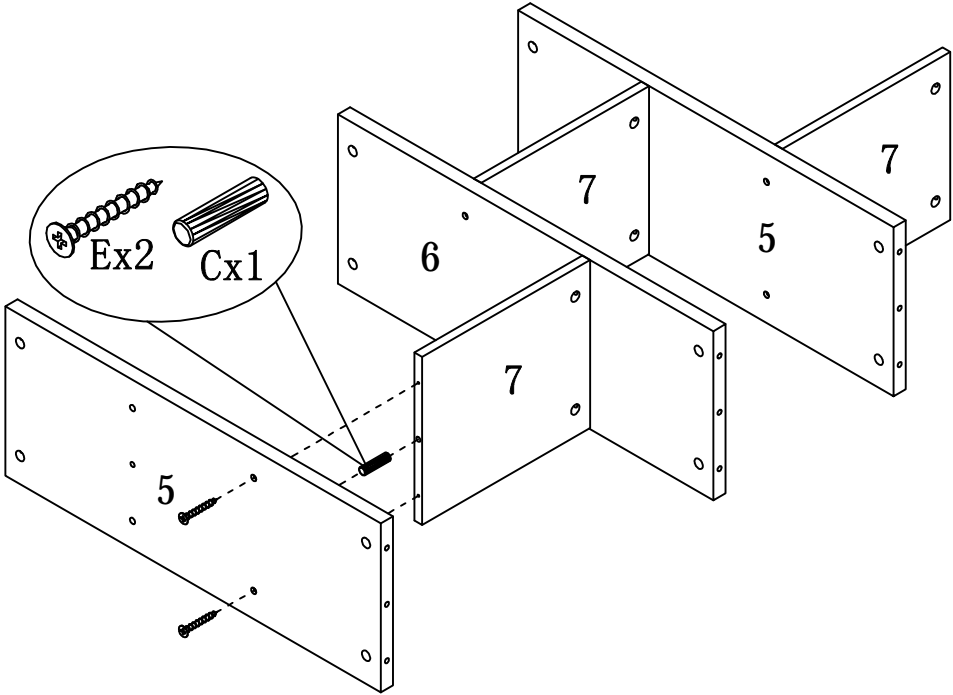
STEP3

STEP4



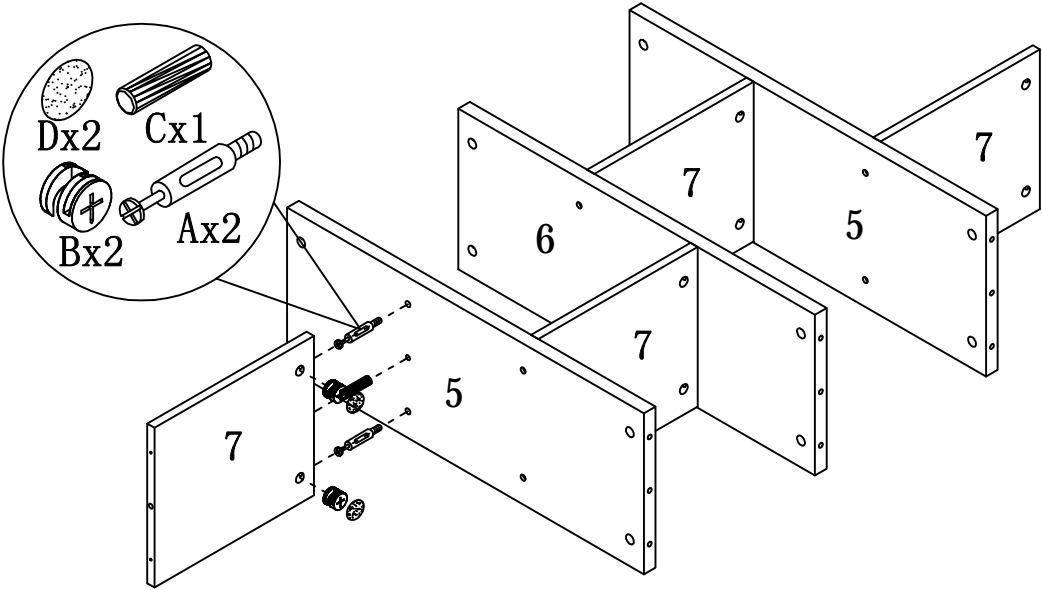
# ASSEMBLY INSTRUCTION

ITEM#: 161664



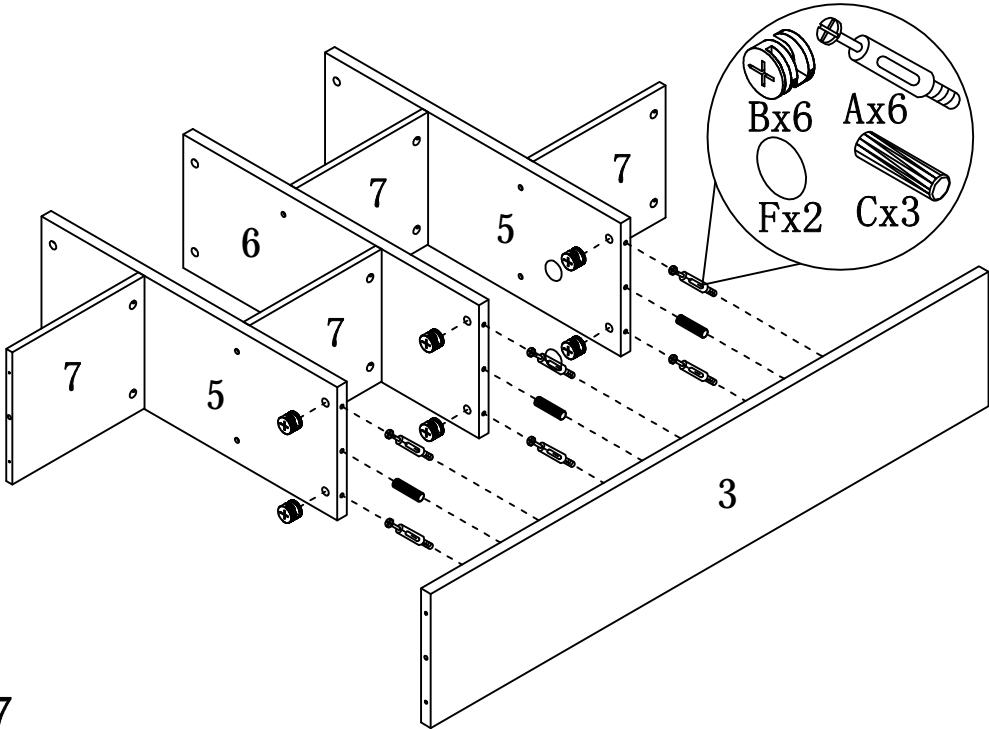
STEP5

STEP6



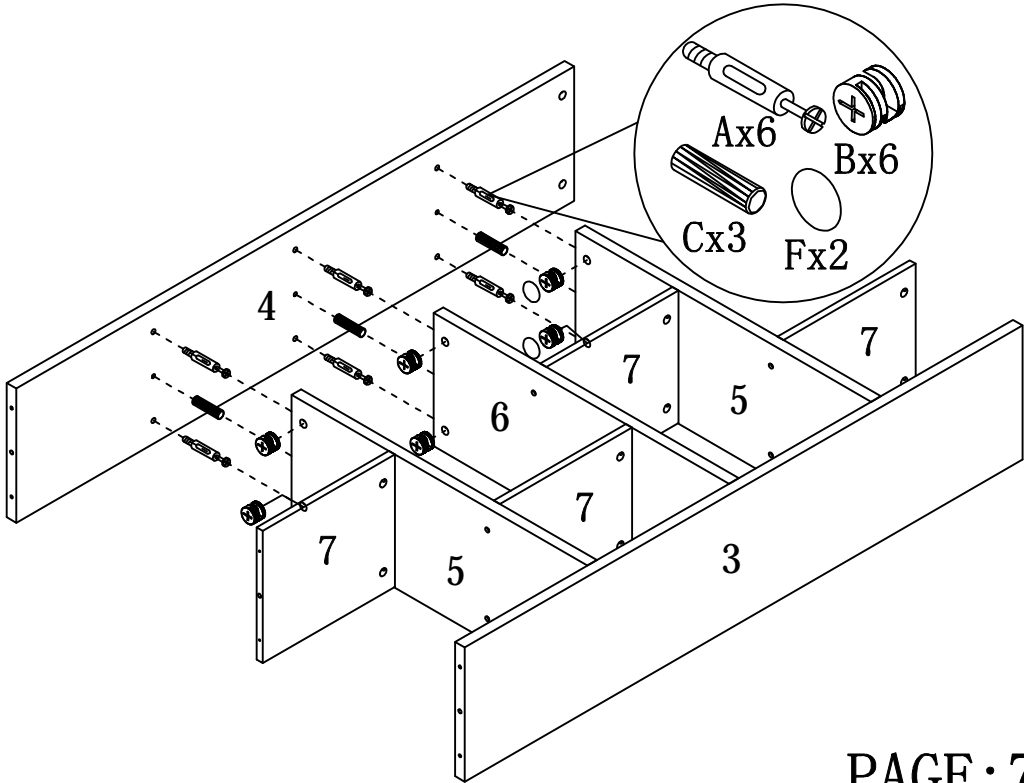
# ASSEMBLY INSTRUCTION

ITEM#: 161664



STEP7

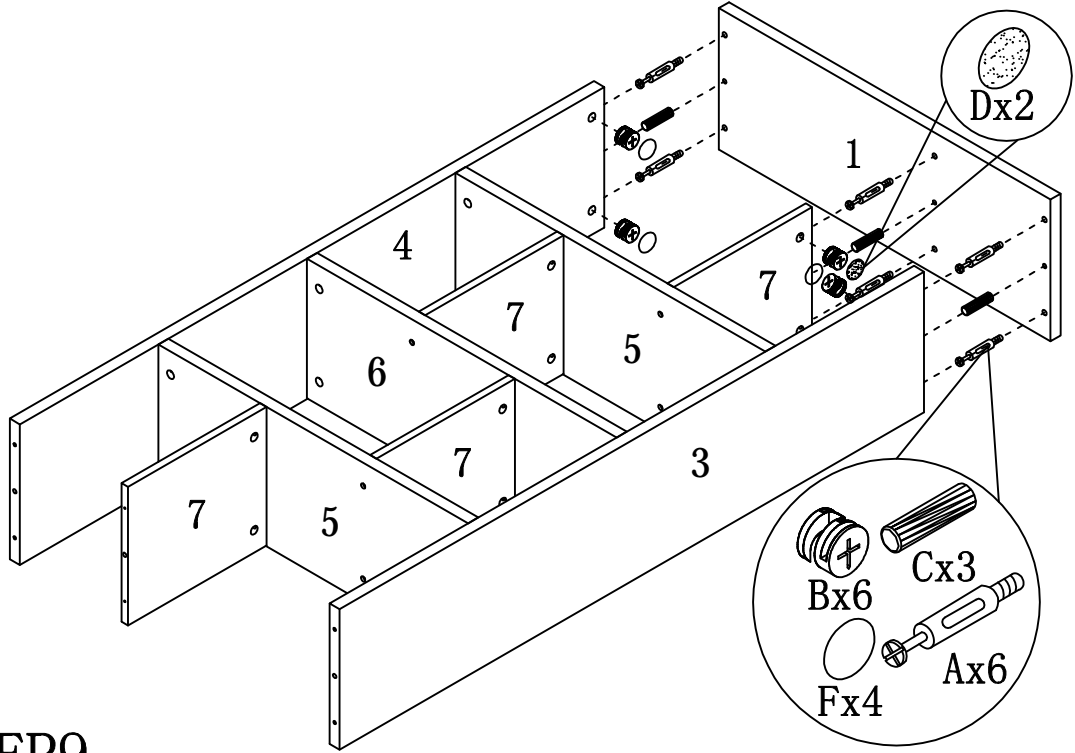
STEP8





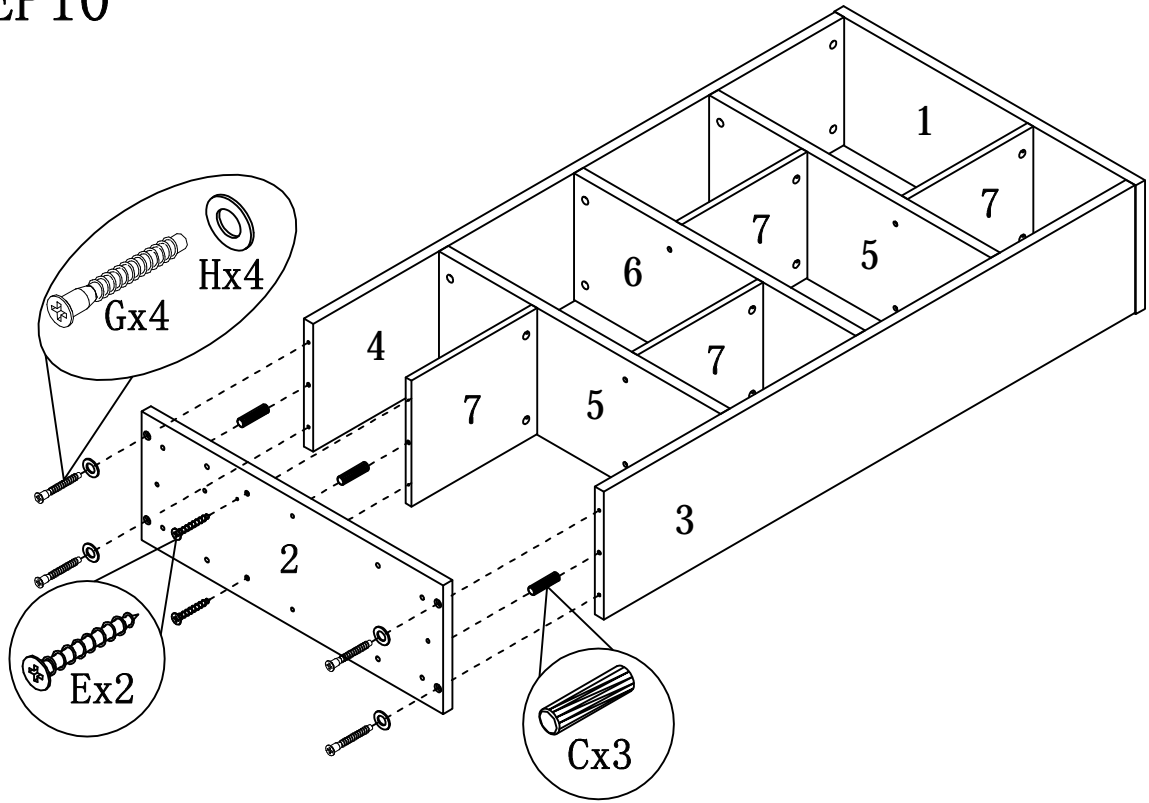
# ASSEMBLY INSTRUCTION

ITEM#: 161664



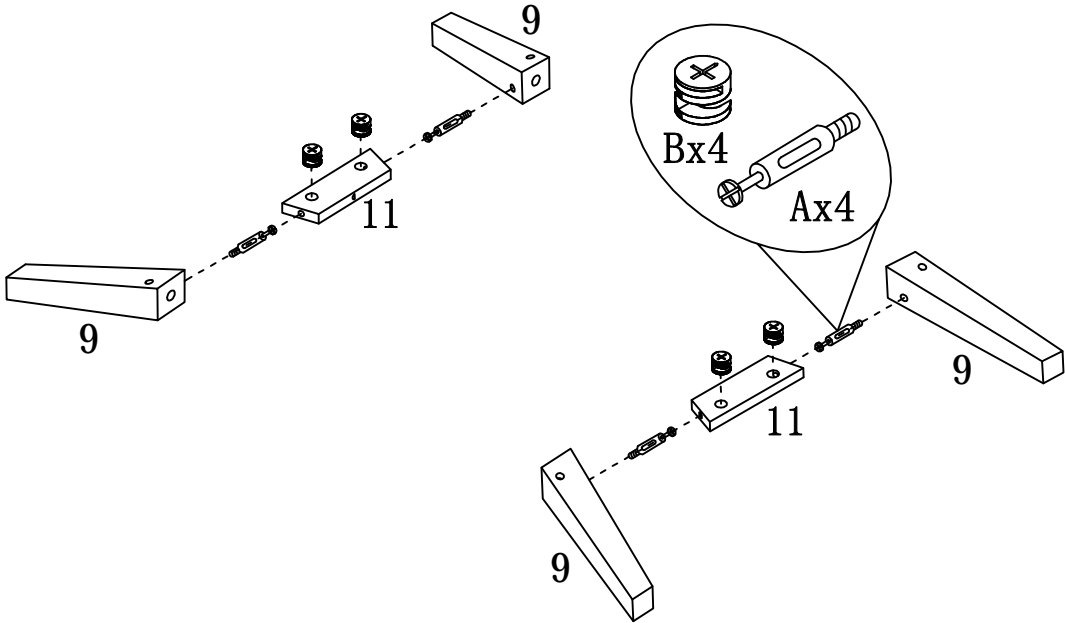
STEP9

STEP10



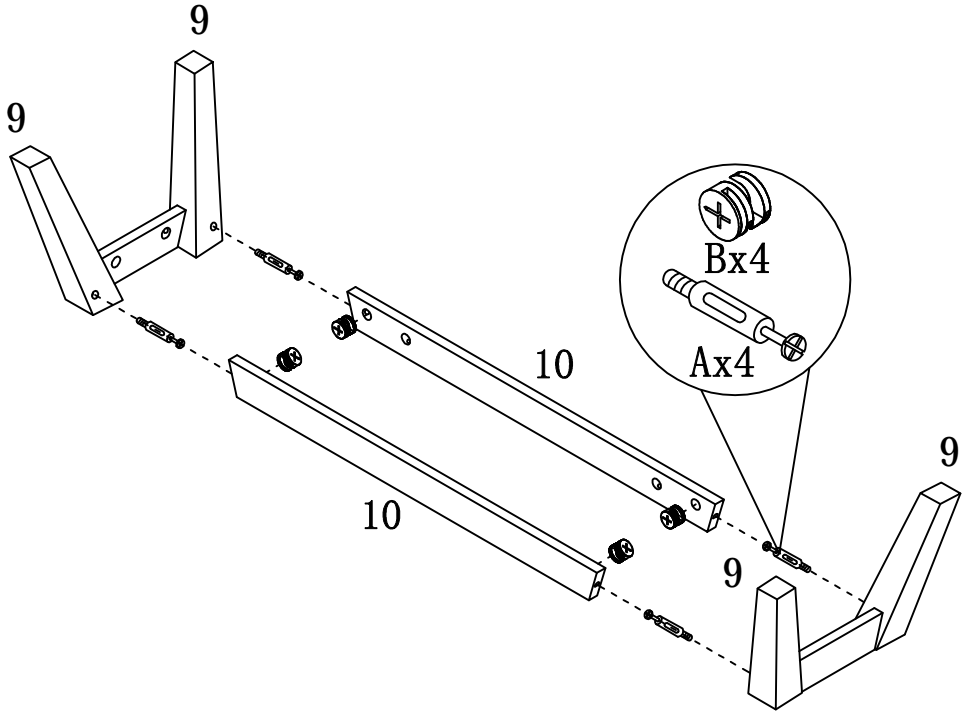
# ASSEMBLY INSTRUCTION

ITEM#: 161664



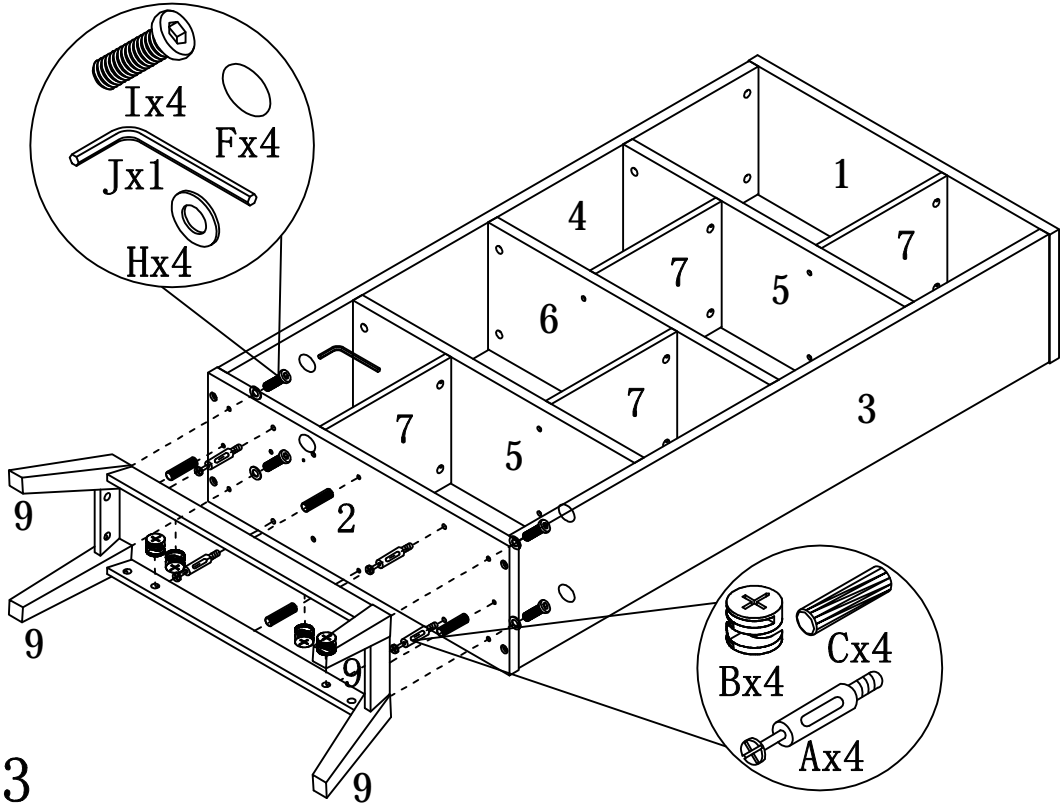
STEP 11

STEP 12

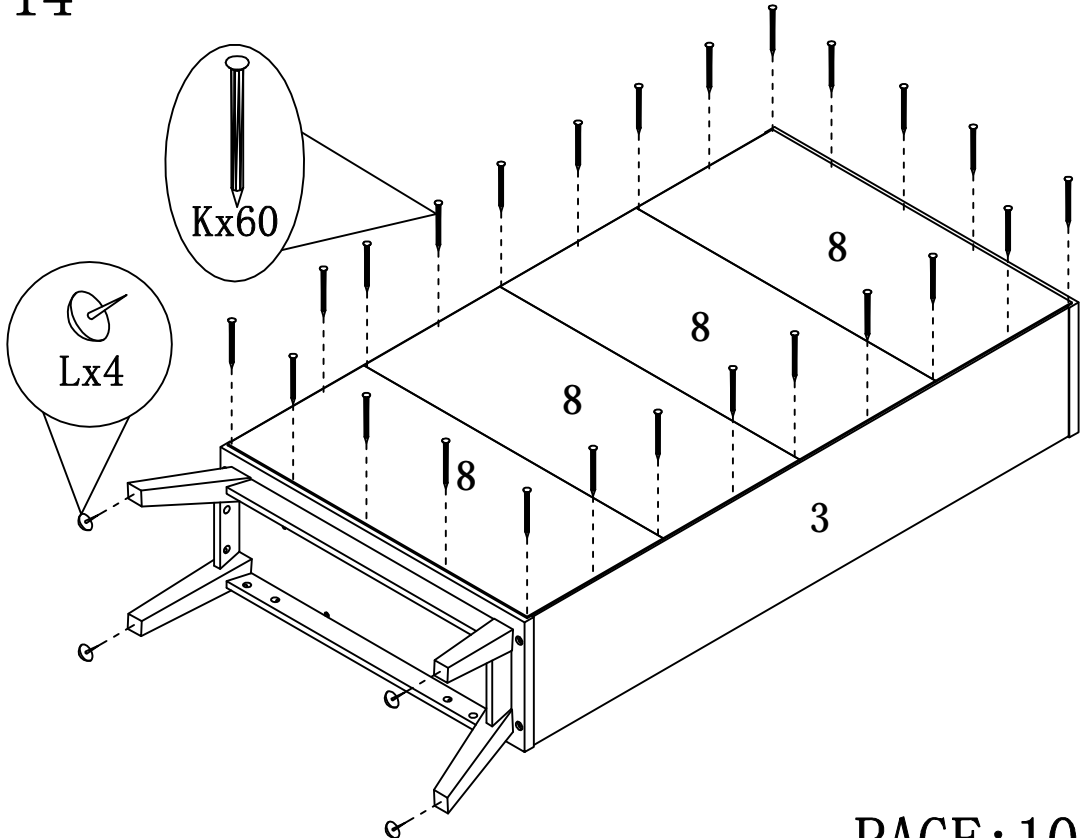


# ASSEMBLY INSTRUCTION

ITEM#: 161664



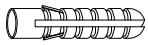
## STEP 14



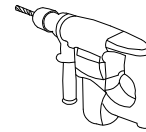
# ANTI-TIPPING STRAP INSTRUCTION

## HARDWARE (INCLUDED) :

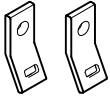
## TOOLS NEEDED ( NOT INCLUDED) :



DRYWALL ANCHOR  $\phi 8 \times 40$  X 1PC



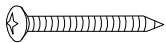
DRILL & DRILL BIT



METAL BRACKETS  $12 \times 12 \times 1$  X 2PCS



LIGHT HAMMER



DRYWALL SCREW  $\phi 5 \times 40$  X 1PC



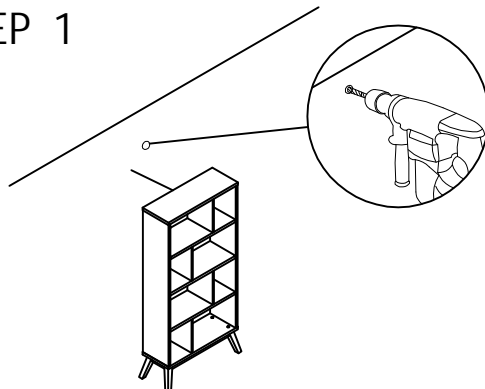
STRAP  $197 \times 5 \times 1$  X 1PC



FLATHEAD SCREW  $\phi 4 \times 25$  X 1PC

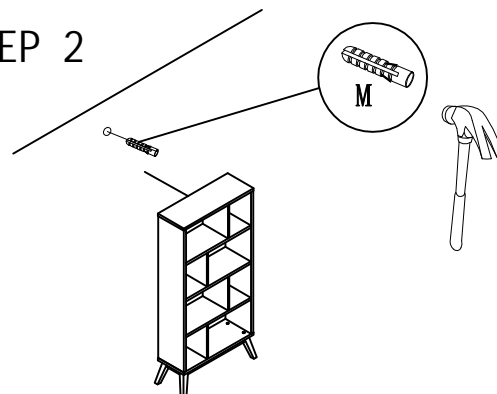
Note: Hardware included only compatible with standard drywalls.

### STEP 1



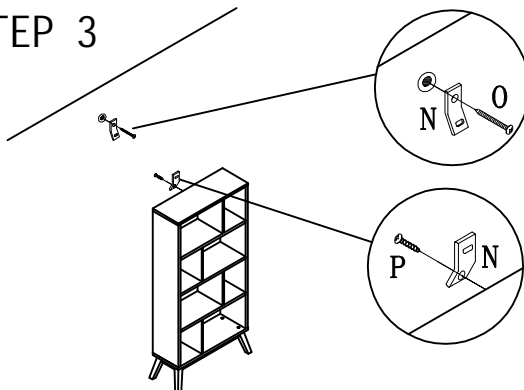
1. Find spot on wall 1" below top of item.
2. Using a drill bit slightly thinner than anchor, drill hole into drywall.

### STEP 2



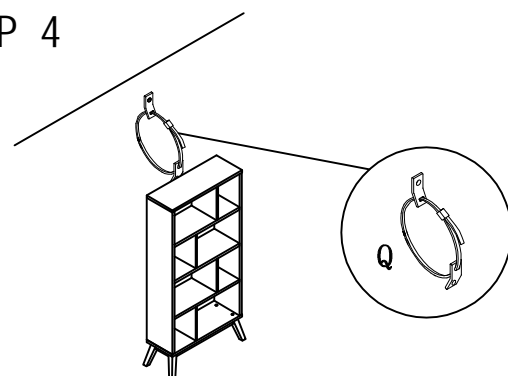
1. Use a light hammer to tap anchor into hole.
2. Anchor should fit snugly. If hole is too small, drill again to increase hole size. Do not force anchor into wall.

### STEP 3



1. Insert drywall screw into metal bracket and into drywall anchor.
2. Insert flathead screw into second metal bracket and into back of item. along top edge.

### STEP 4



1. Insert strap thru bracket attached to wall. then thru bracket on item, and into head of strap.
  2. pull lightly til strap stops.
- Assembly is complete.