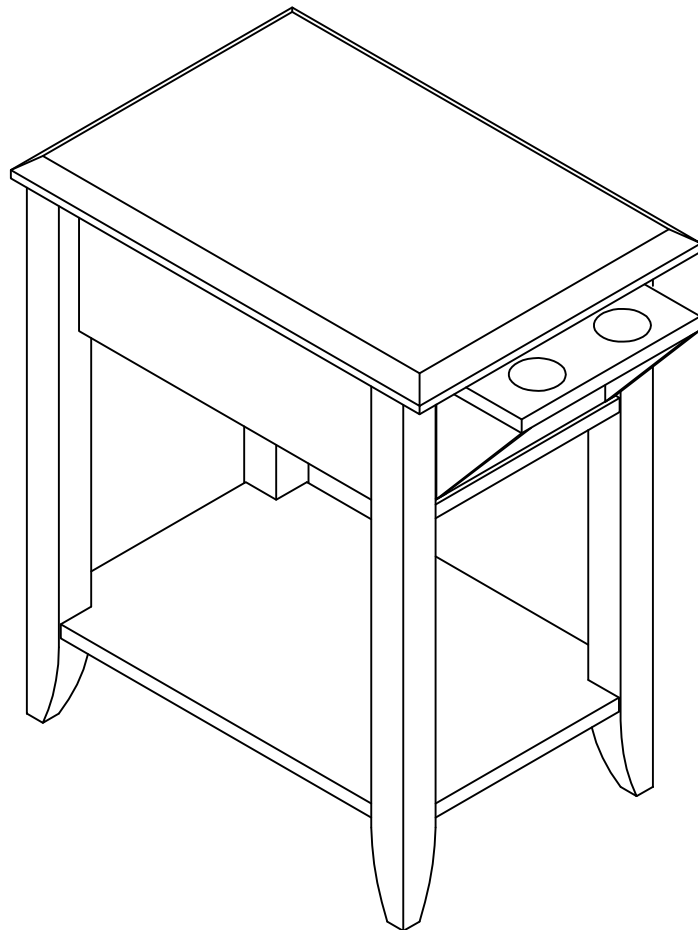


ASSEMBLY INSTRUCTION

ITEM#: 161581 161582 16802
13802 151100 13833 192501



ASSEMBLY INSTRUCTION

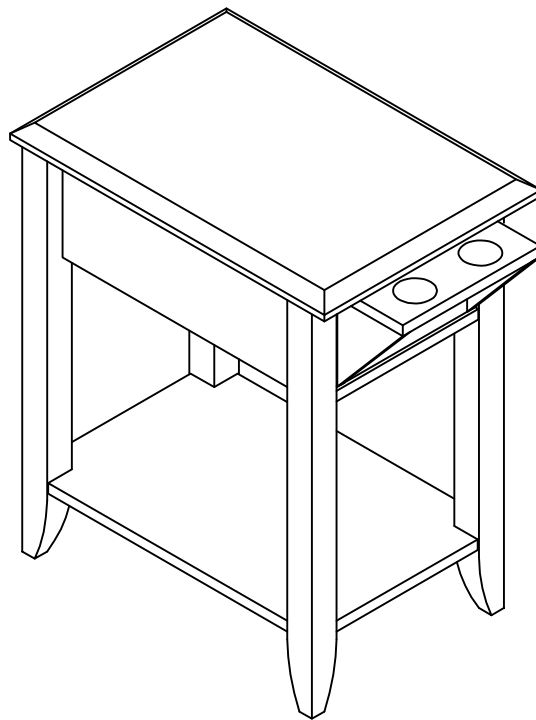
PLEASE READ BEFORE ASSEMBLING!

Tip #1: Make sure you've taken all the pieces and hardware out of its packaging before discarding the box.

Tip #2: Using page 2 and/or page 3 of instruction manual make sure all pieces and hardware are accounted for.

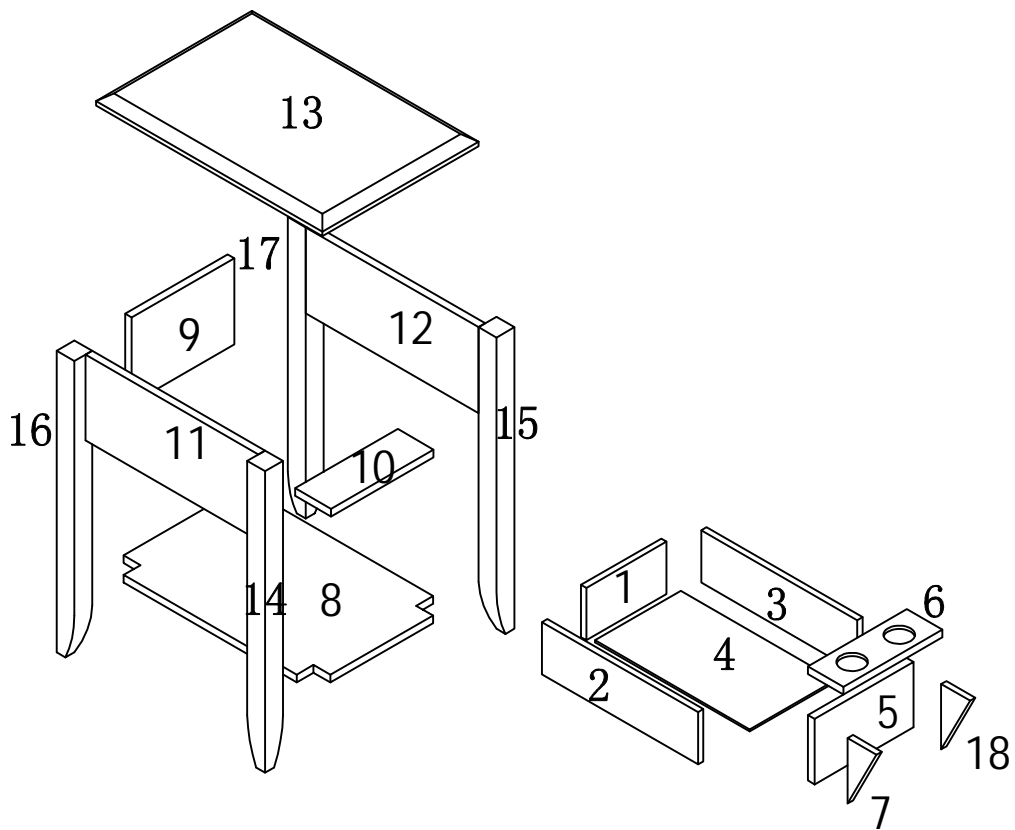
Tip #3: Read manual before assembling, it helps!

ITEM#: 161581 161582 16802
13802 151100 13833 192501



PARTS IDENTIFICATION

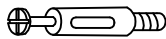


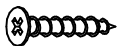
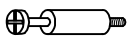

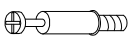

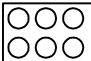


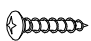
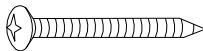
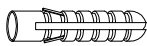

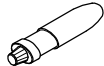
ITEM#: 161581 161582 16802
13802 151100 13833 192501



(1)	1pc	(10)	1pc
(2)	1pc	(11)	1pc
(3)	1pc	(12)	1pc
(4)	1pc	(13)	1pc
(5)	1pc	(14)	1pc
(6)	1pc	(15)	1pc
(7)	1pc	(16)	1pc
(8)	1pc	(17)	1pc
(9)	1pc	(18)	1pc

HARDWARE IDENTIFICATION

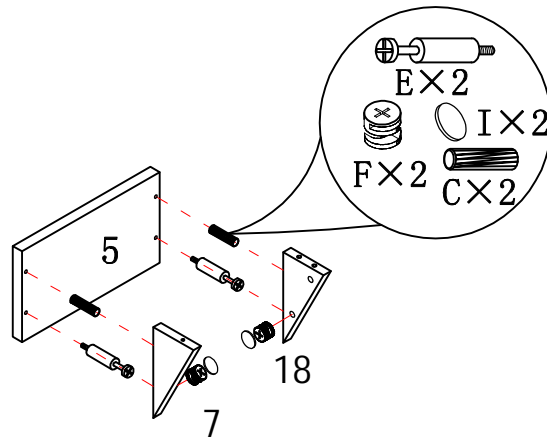
ITEM#: 161581 161582 16802
13802 151100 13833 192501

A		L29	20pcs
B		ø15	20pcs
C		ø8×25	6pcs
D		ø4×30	4pcs
E		L24	12pcs
F		ø12	12pcs
G		L20	4pcs
H		ø12	4pcs
I		ø20	6pcs
J		ø16	4pcs
K		197×5×1	1pc
L		ø4×25	1pc
M		ø5×40	1pc
N		ø8×40	1pc
O		12×12×1	2pcs
P		Glue: For securing please apply to wood dowel first before inserting into panel	1pc

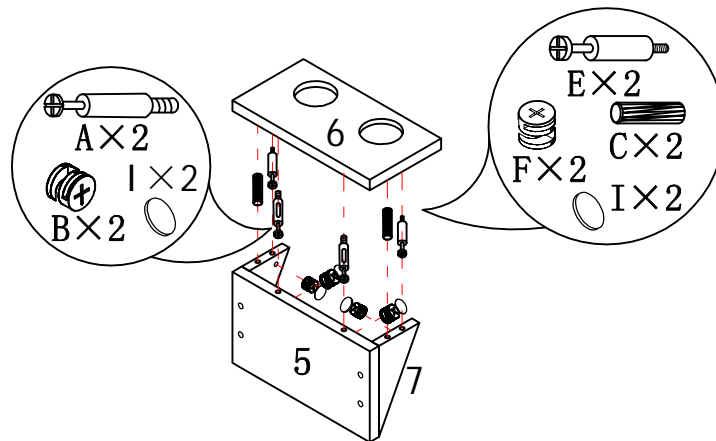
ASSEMBLY INSTRUCTION

ITEM#:161581 161582 16802
13802 151100 13833 192501

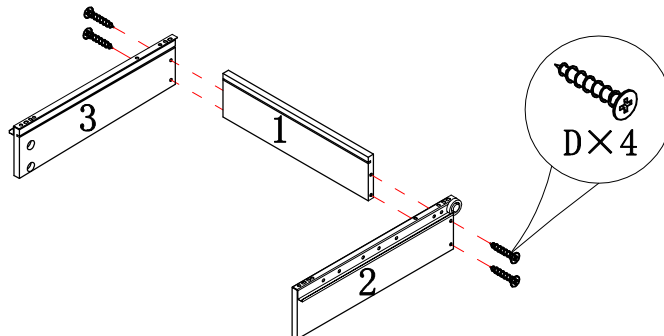
STEP 1



STEP 2

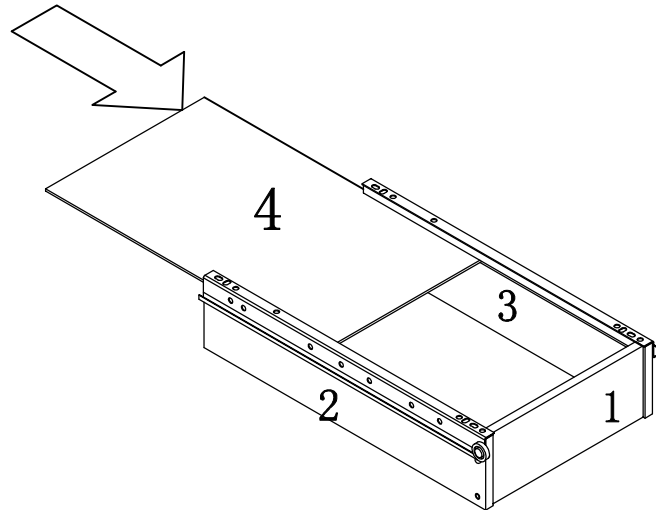


STEP 3



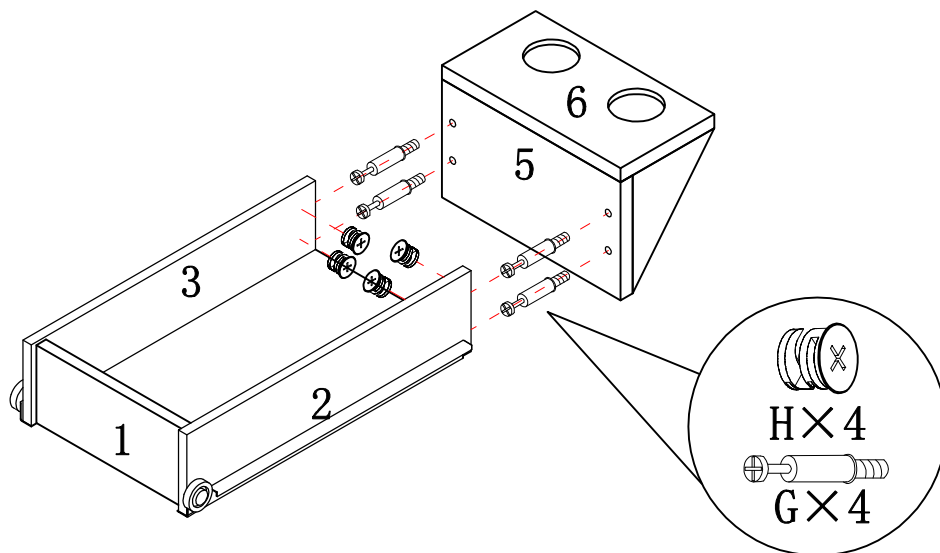
ASSEMBLY INSTRUCTION

ITEM#:161581 161582 16802
13802 151100 13833 192501



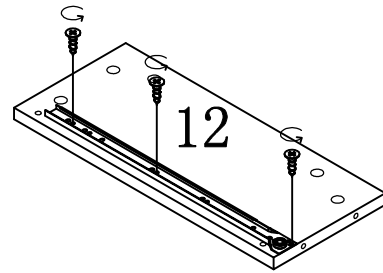
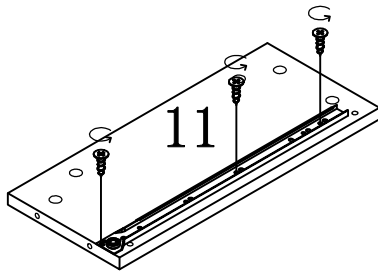
STEP 4

STEP 5



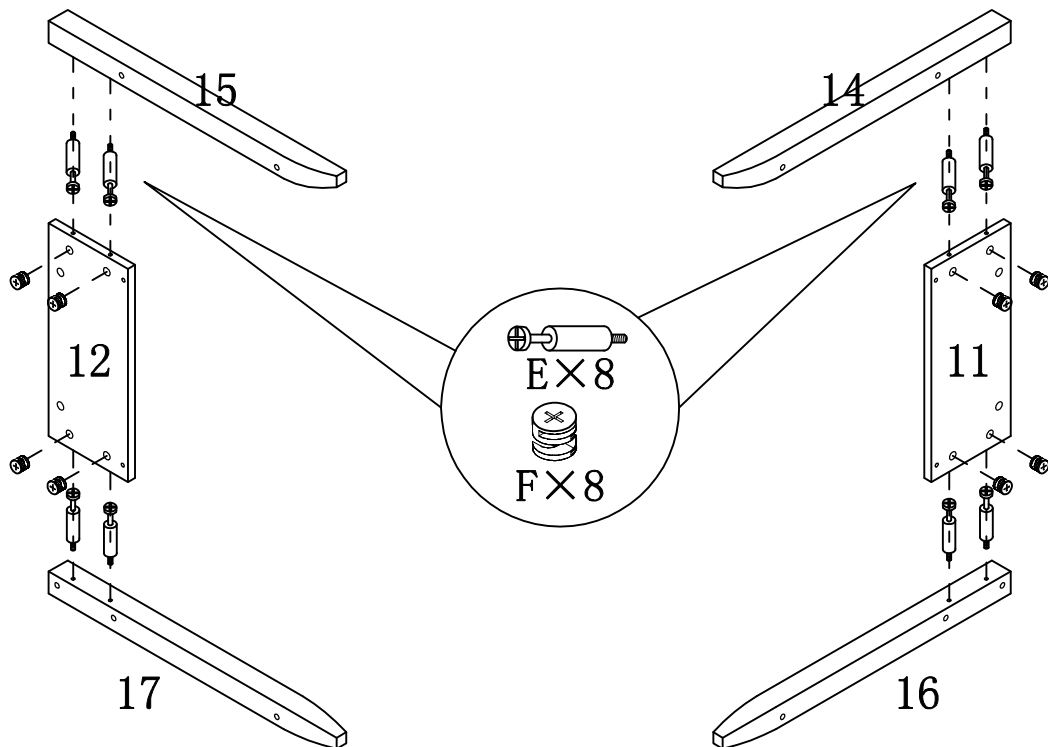
ASSEMBLY INSTRUCTION

ITEM#:161581 161582 16802
13802 151100 13833 192501



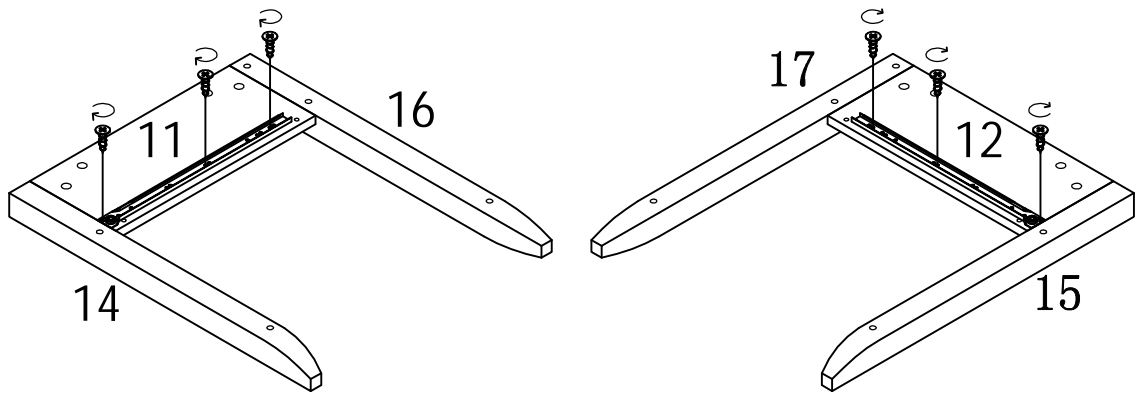
STEP 6

STEP 7



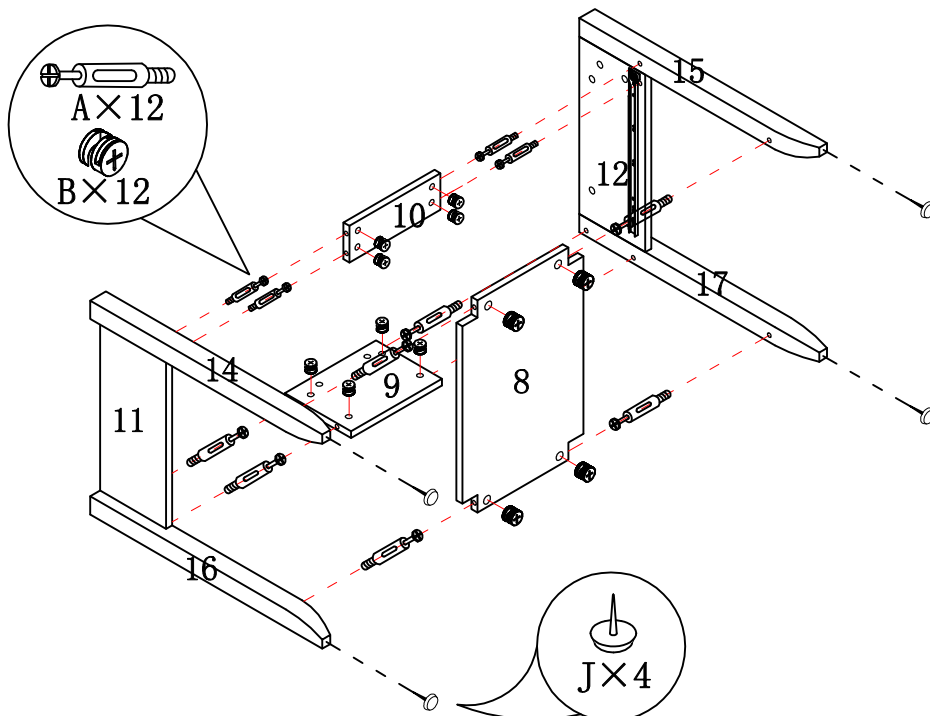
ASSEMBLY INSTRUCTION

ITEM#:161581 161582 16802
13802 151100 13833 192501



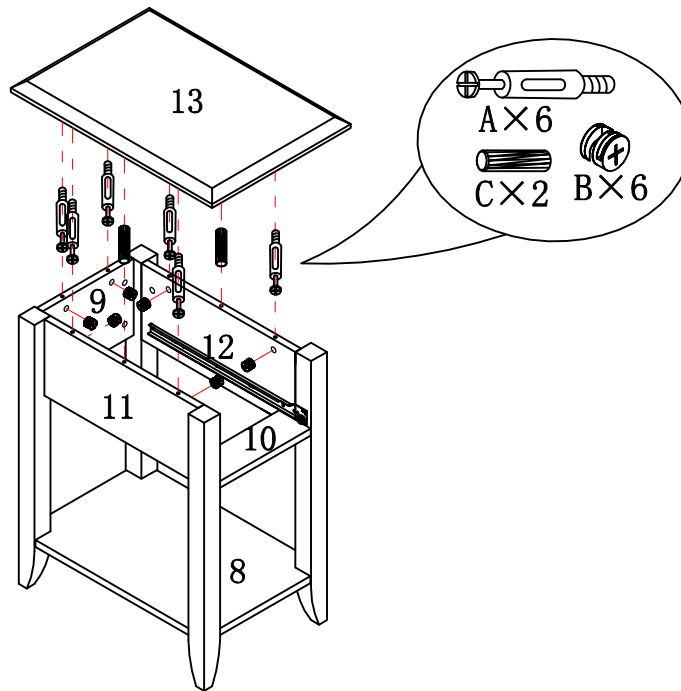
STEP 8

STEP 9



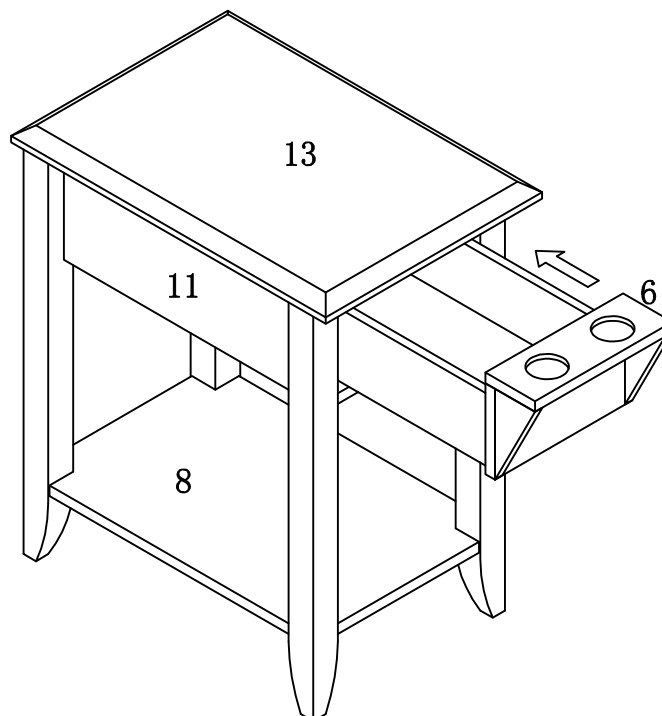
ASSEMBLY INSTRUCTION

ITEM#: 161581 161582 16802
13802 151100 13833 192501



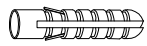
STEP 10

STEP 11

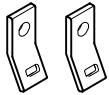


ANTI-TIPPING STRAP INSTRUCTION

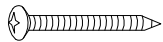
HARDWARE (INCLUDED) :



DRYWALL ANCHOR $\phi 8 \times 40$ X 1PC



METAL BRACKETS $12 \times 12 \times 1$ X 2PCS



DRYWALL SCREW $\phi 5 \times 40$ X 1PC

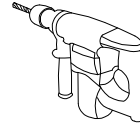


STRAP $197 \times 5 \times 1$ X 1PC



FLATHEAD SCREW $\phi 4 \times 25$ X 1PC

TOOLS NEEDED (NOT INCLUDED) :



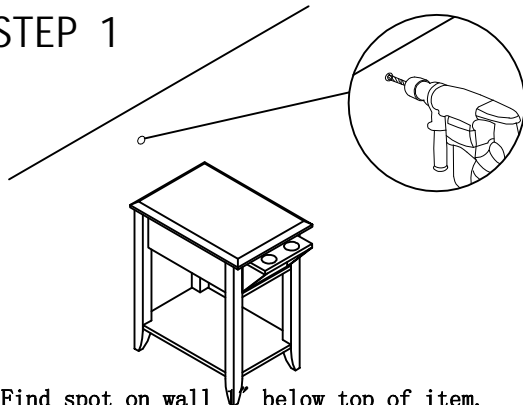
DRILL & DRILL BIT



LIGHT HAMMER

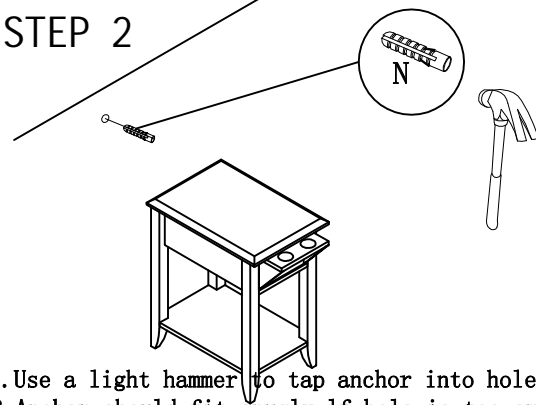
Note: Hardware included only compatible with standard drywalls.

STEP 1



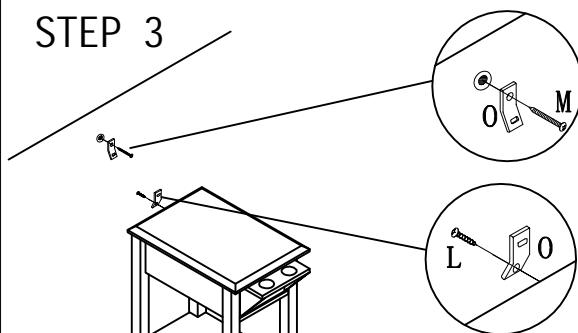
1. Find spot on wall below top of item.
2. Using a drill bit slightly thinner than anchor, drill hole into drywall.

STEP 2



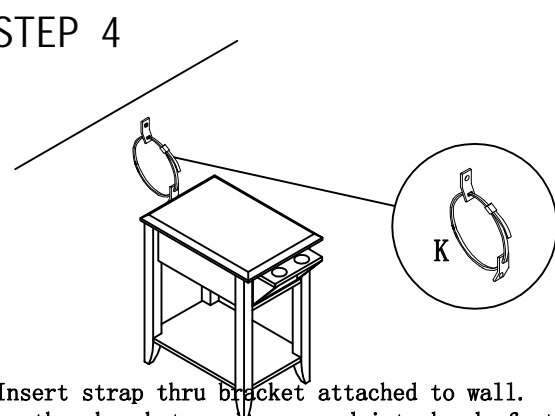
1. Use a light hammer to tap anchor into hole.
2. Anchor should fit snugly. If hole is too small, drill again to increase hole size. Do not force anchor into wall.

STEP 3



1. Insert drywall screw into metal bracket and into drywall anchor.
2. Insert flathead screw into second metal bracket and into back of item along top edge.

STEP 4



1. Insert strap thru bracket attached to wall, then thru bracket on item, and into head of strap.
 2. pull lightly til strap stops.
- Assembly is complete.**