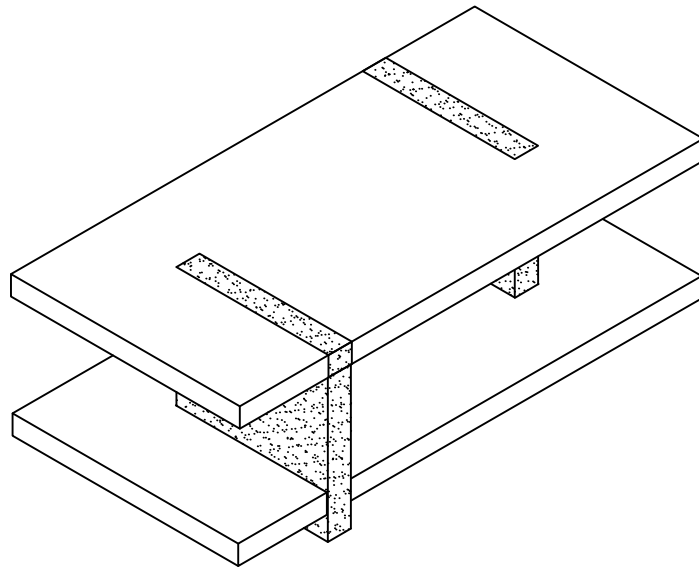


ASSEMBLY INSTRUCTION

ITEM#: 171964CT



ASSEMBLY INSTRUCTION

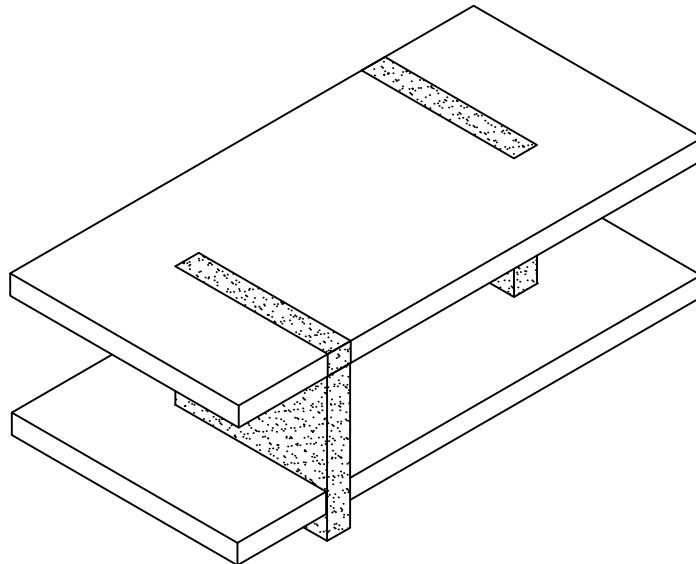
PLEASE READ BEFORE ASSEMBLING!

Tip #1: Make sure you've taken all the pieces and hardware out of its packaging before discarding the box. Assembly on top of flattened box/blanket is recommended.

Tip #2: Using page 2 and/or page 3 of instruction manual make sure all pieces and hardware are accounted for.

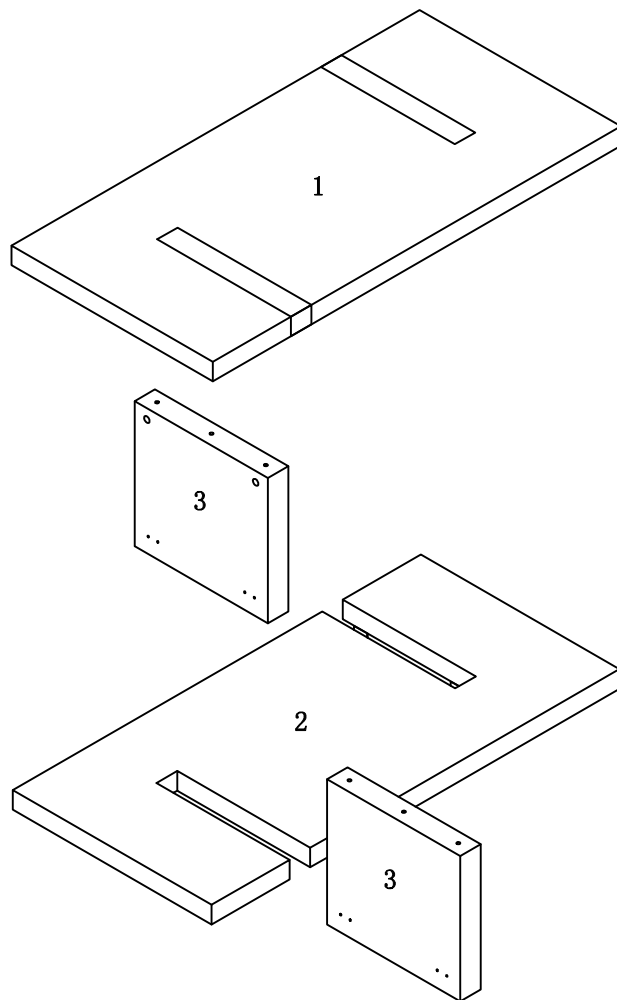
Tip #3: Note position of all holes on each panel during assembly.

ITEM#: 171964CT



PARTS IDENTIFICATION




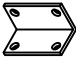

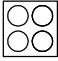


ITEM#: 171964CT



- | | |
|-----|------|
| (1) | 1pc |
| (2) | 1pc |
| (3) | 2pcs |

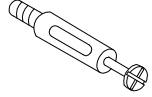

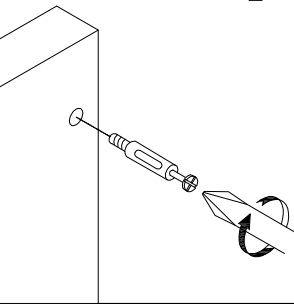
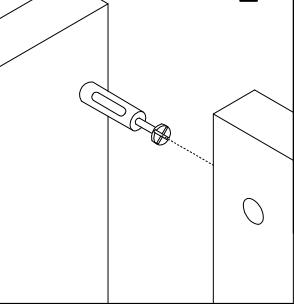
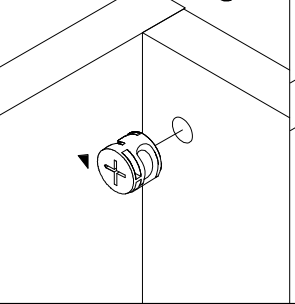
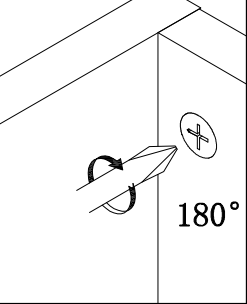
HARDWARE IDENTIFICATION

ITEM#: 171964CT

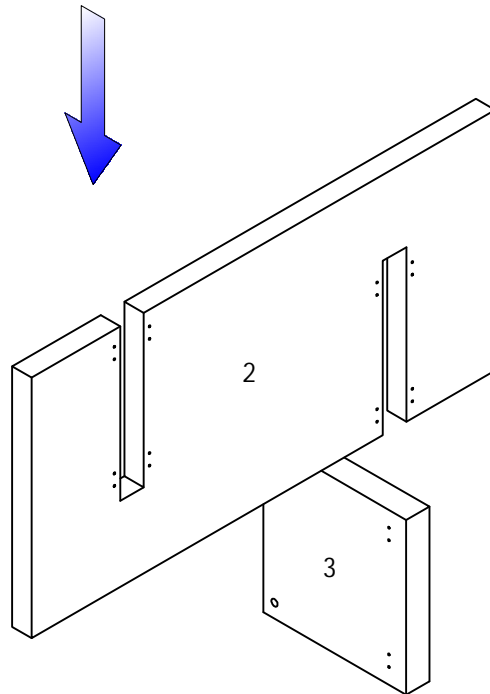
A		L29	4pcs
B		ø15	4pcs
C		ø8×25	2pcs
D		38×20×20	8pcs
E		ø3.5×12	32pcs
F		ø20 (DTP)	4pcs
G		ø16	4pcs
H		Glue: For securing please apply to wood dowel first before inserting into panel	1pc

ASSEMBLY INSTRUCTION

ITEM#: 171964CT

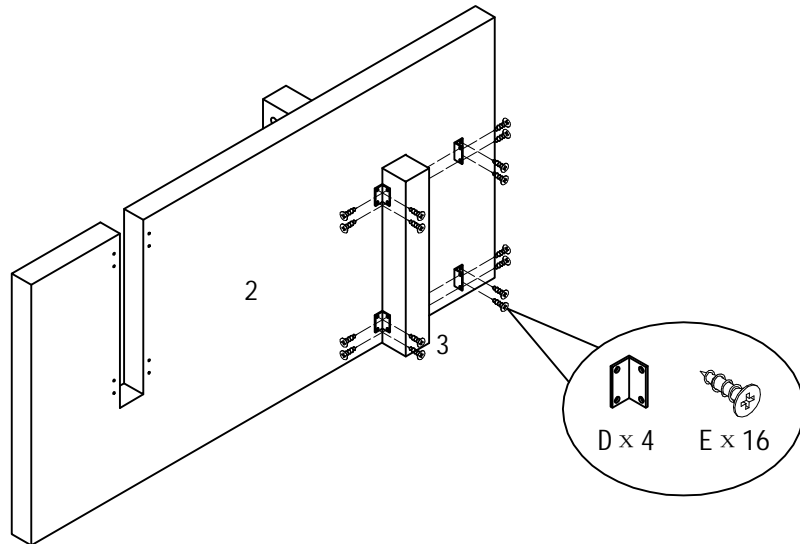
HOW TO	1	2	3	4
 Cam Bolt  Cam Lock				
	1. Screw Cam Bolt into panel.	2. Insert Cam Bolt into bolt hole of joining panel.	3. Insert Cam Lock. arrow facing bolt.	4. Gently turn Cam Lock clockwise to lock position.

STEP 1



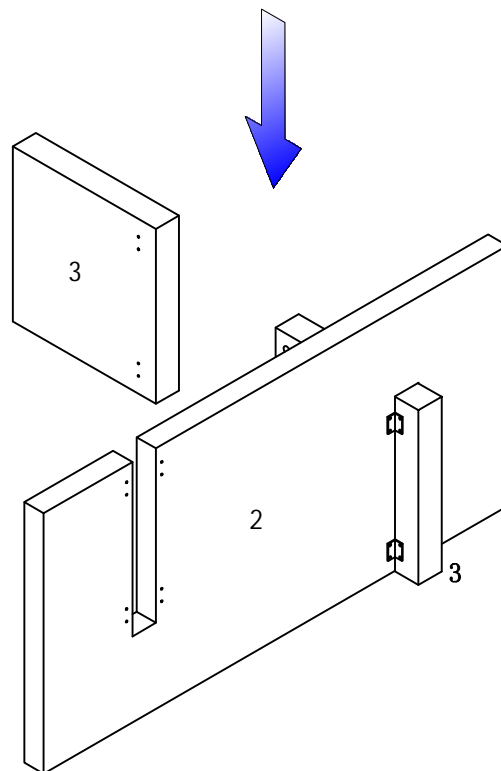
ASSEMBLY INSTRUCTION

ITEM#: 171964CT



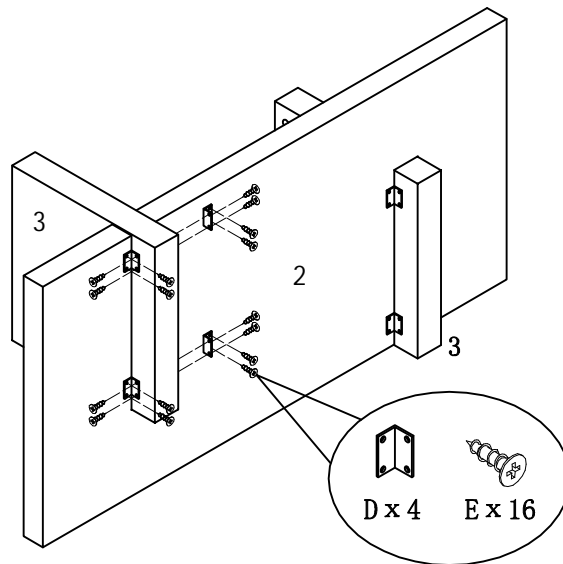
STEP2

STEP3



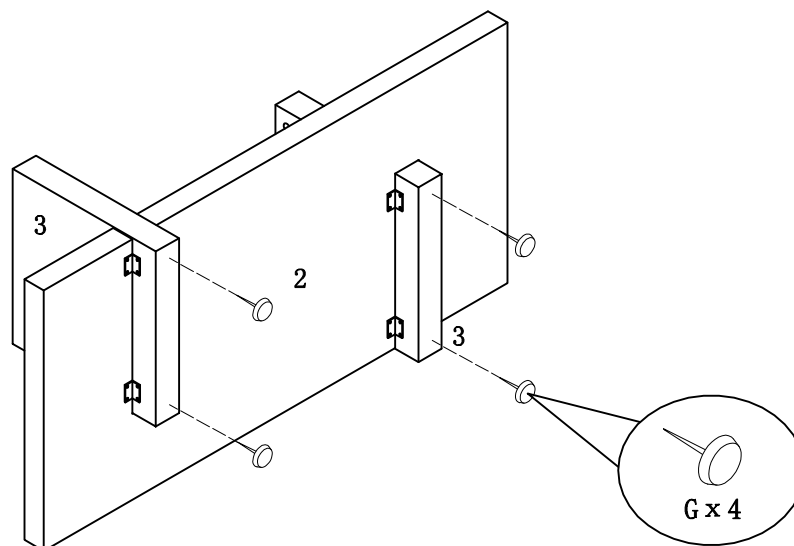
ASSEMBLY INSTRUCTION

ITEM#: 171964CT



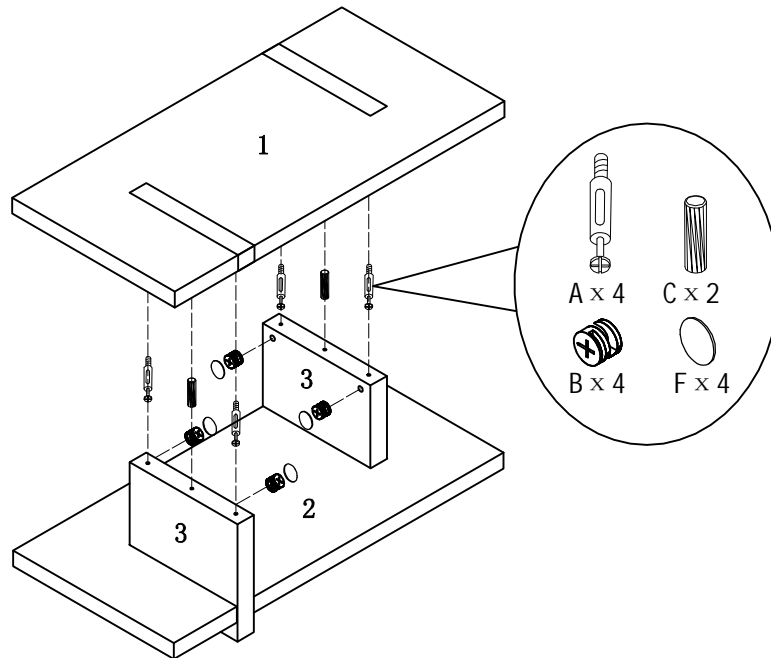
STEP4

STEP5



ASSEMBLY INSTRUCTION

ITEM#: 171964CT



STEP6

STEP7

