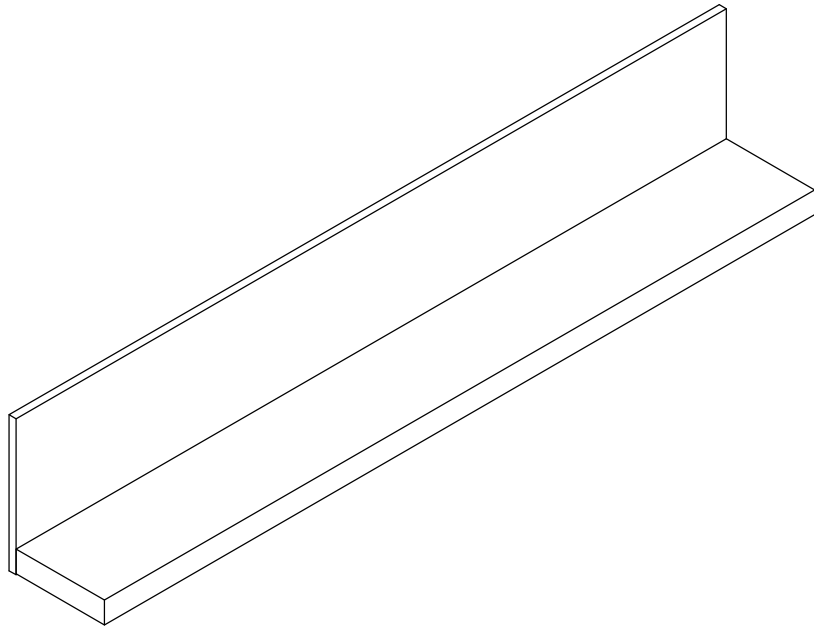


ASSEMBLY INSTRUCTION

ITEM#: 182343BR



ASSEMBLY INSTRUCTION

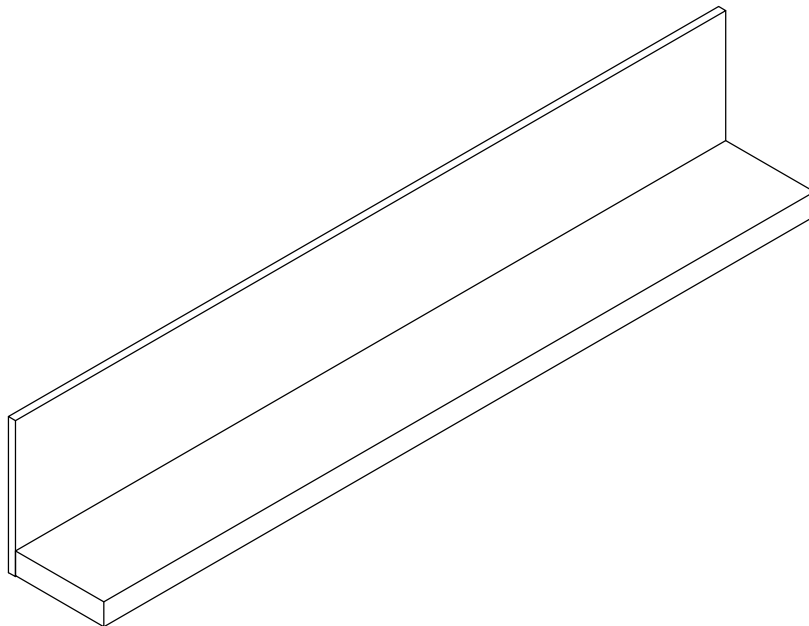
PLEASE READ BEFORE ASSEMBLING!

Tip #1: Make sure you've taken all the pieces and hardware out of its packaging before discarding the box.

Tip #2: Using page 2 and/or page 3 of instruction manual make sure all pieces and hardware are accounted for.

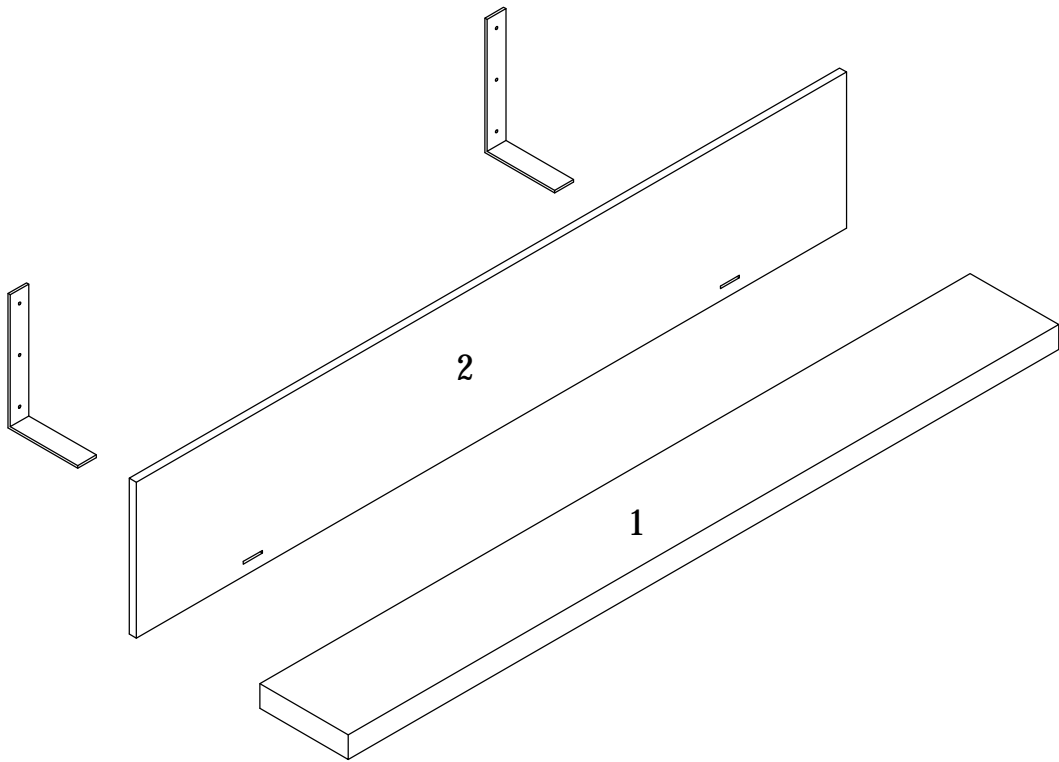
Tip #3: Read manual before assembling, it helps!

ITEM#: 182343BR



PARTS IDENTIFICATION

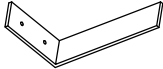

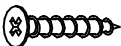
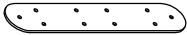
ITEM#: 182343BR



| | |
|-----|-----|
| (1) | 1pc |
| (2) | 1pc |

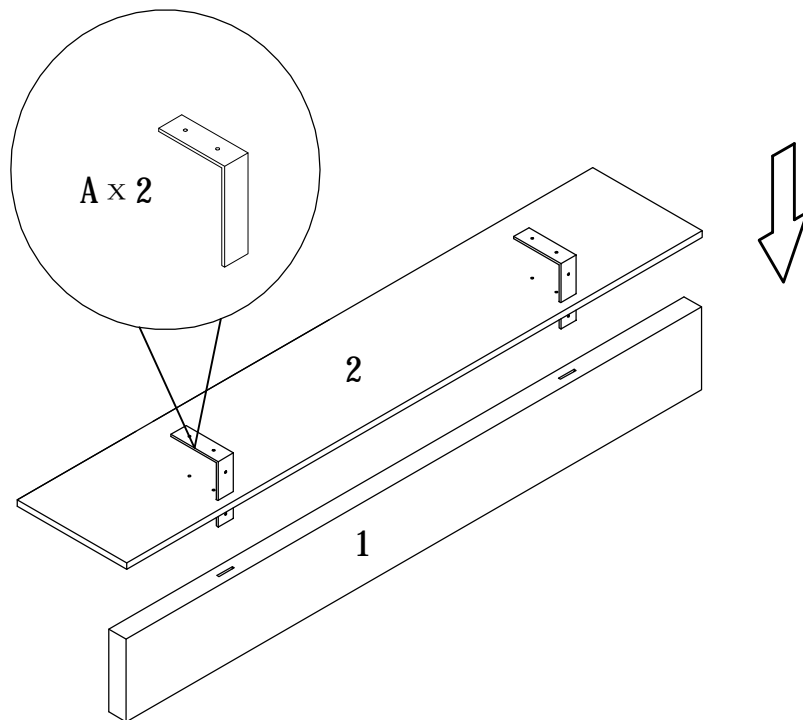
HARDWARE IDENTIFICATION

ITEM#: 182343BR

| | | | |
|---|---|----------------|-------|
| A |  | 150 × 100 × 30 | 2pcs |
| B |  | φ 4 × 16 | 20pcs |
| C |  | φ 4 × 35 | 4pcs |
| D |  | | 2pcs |

ASSEMBLY INSTRUCTION

ITEM#: 182343BR

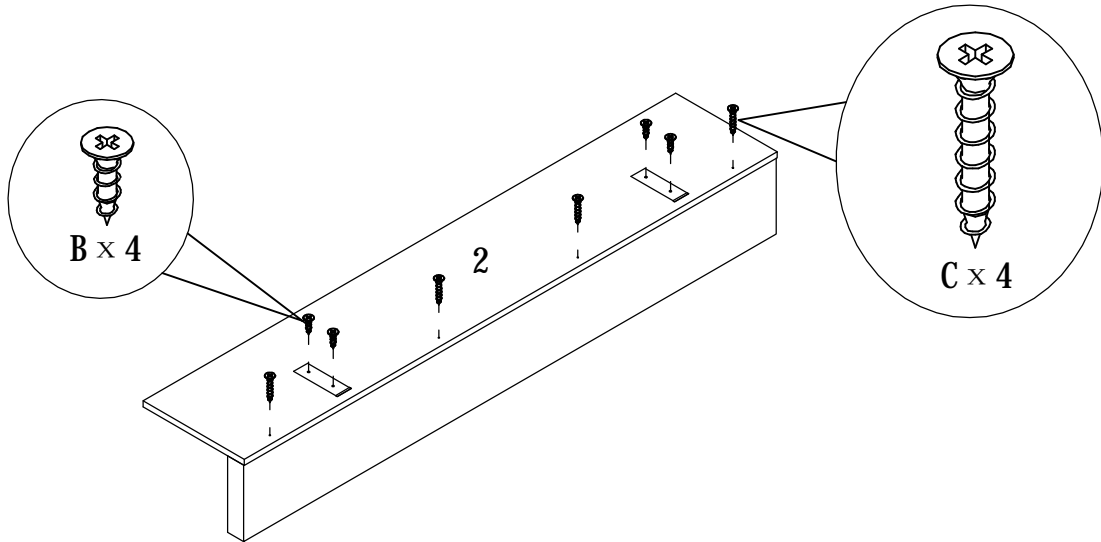


STEP1

PAGE: 3 OF 4

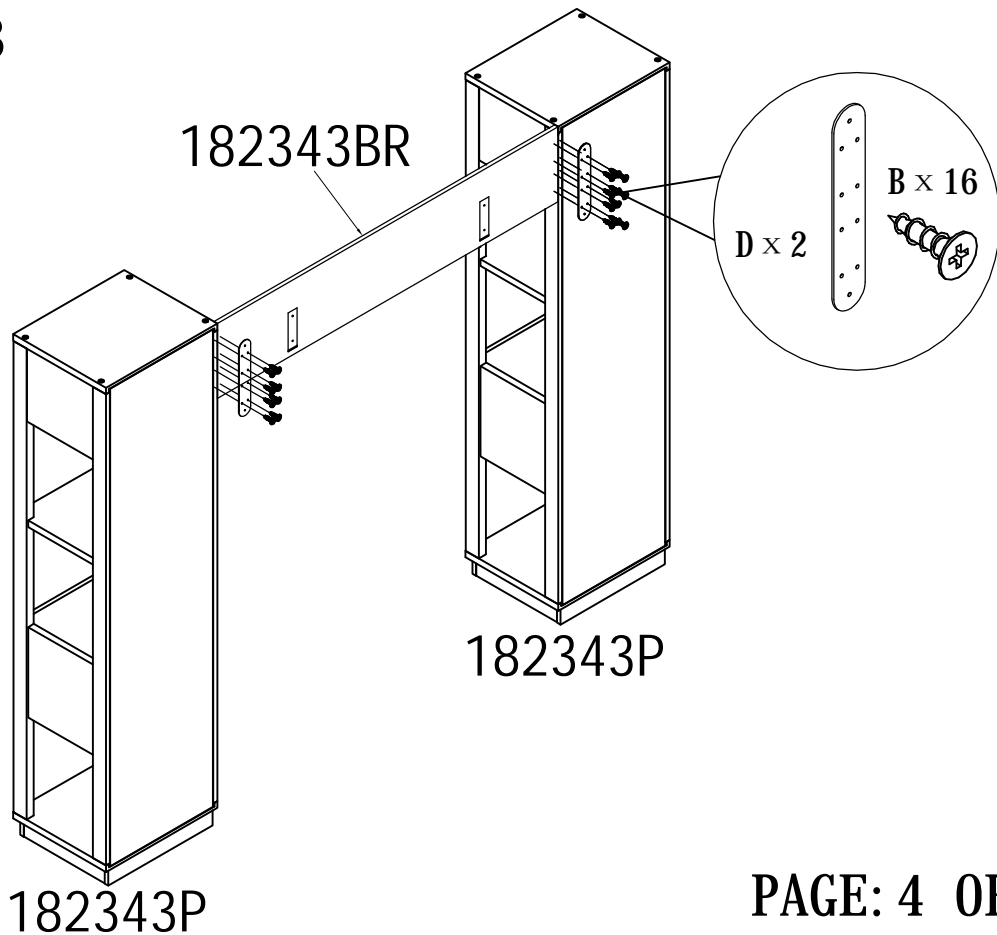
ASSEMBLY INSTRUCTION

ITEM#: 182343BR



STEP 2

STEP 3



PAGE: 4 OF 4