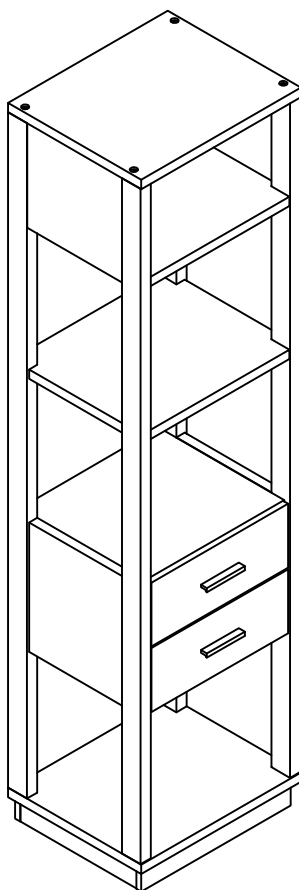


# ASSEMBLY INSTRUCTION

---

ITEM#: 182343P



# ASSEMBLY INSTRUCTION

---

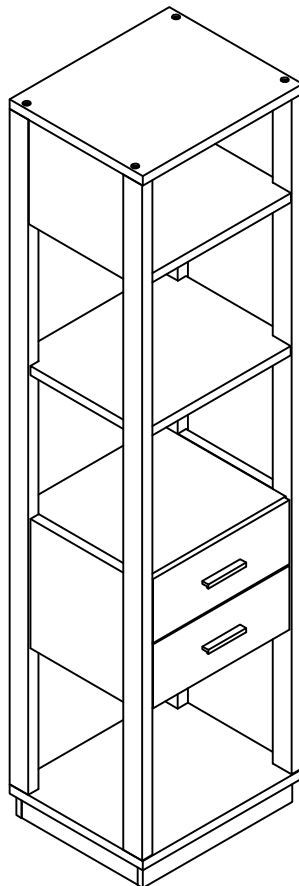
## PLEASE READ BEFORE ASSEMBLING!

Tip #1: Make sure you've taken all the pieces and hardware out of its packaging before discarding the box.

Tip #2: Using page 2 and/or page 3 of instruction manual make sure all pieces and hardware are accounted for.

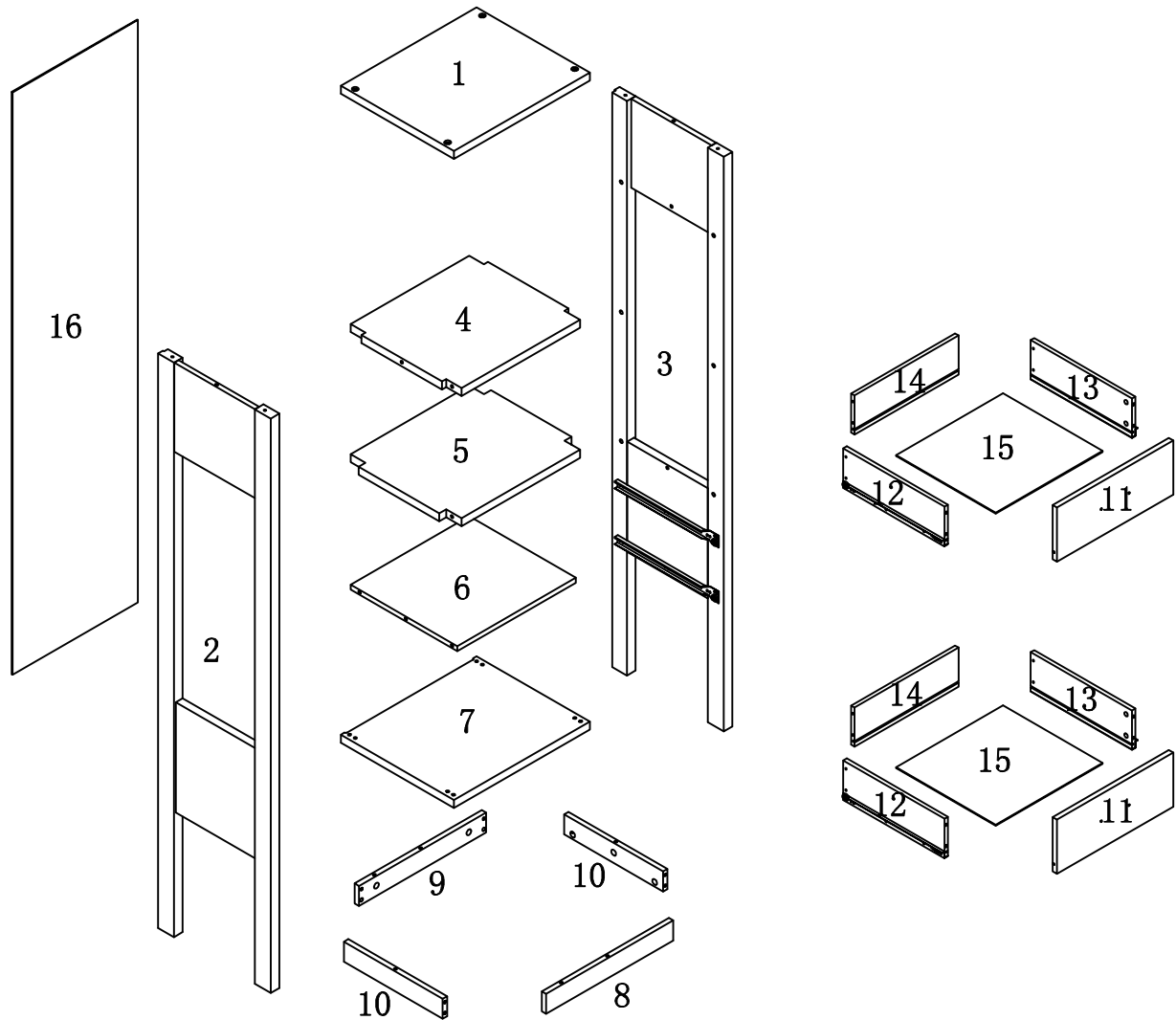
Tip #3: Read manual before assembling, it helps!

ITEM#: 182343P



# PARTS IDENTIFICATION




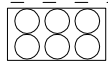
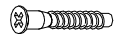



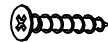
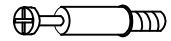

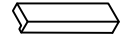


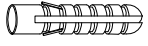


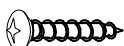

ITEM#: 182343P



|     |     |      |      |      |      |
|-----|-----|------|------|------|------|
| (1) | 1pc | (7)  | 1pc  | (13) | 2pcs |
| (2) | 1pc | (8)  | 1pc  | (14) | 2pcs |
| (3) | 1pc | (9)  | 1pc  | (15) | 2pcs |
| (4) | 1pc | (10) | 2pcs | (16) | 1pc  |
| (5) | 1pc | (11) | 2pcs |      |      |
| (6) | 1pc | (12) | 2pcs |      |      |

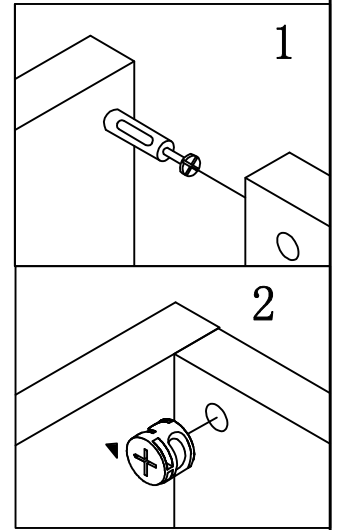
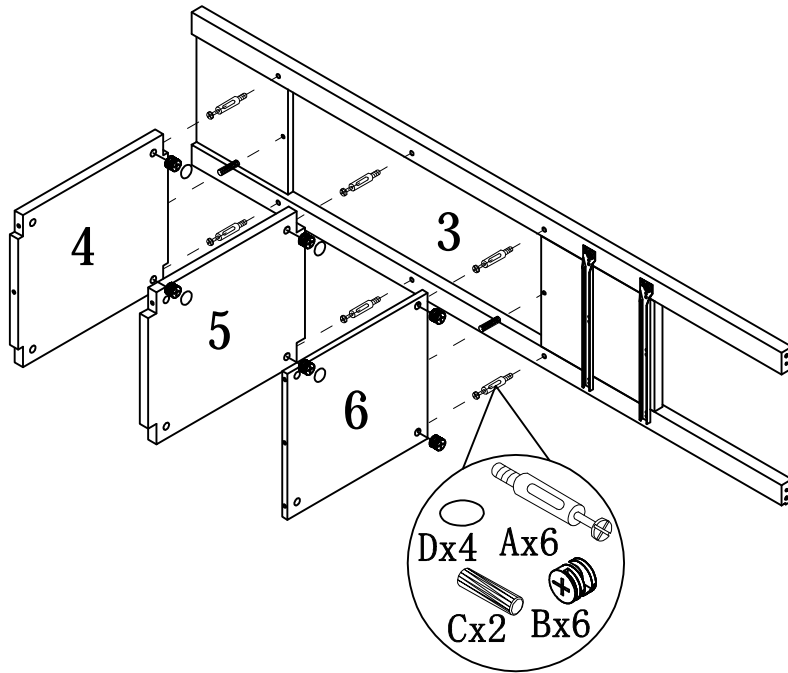
# HARDWARE IDENTIFICATION

ITEM#: 182343P

|   |                                                                                     |                                                                                 |       |
|---|-------------------------------------------------------------------------------------|---------------------------------------------------------------------------------|-------|
| A |    | L29                                                                             | 22pcs |
| B |    | φ15                                                                             | 22pcs |
| C |    | φ8x25                                                                           | 16pcs |
| D |    | φ22                                                                             | 12pcs |
| E |    | φ7x58                                                                           | 8pcs  |
| F |    | φ8xφ16x2                                                                        | 8pcs  |
| G |    | φ16                                                                             | 4pcs  |
| H |    |                                                                                 | 45pcs |
| I |    | φ4x30                                                                           | 8pcs  |
| J |  | L20                                                                             | 8pcs  |
| K |  | φ12                                                                             | 8pcs  |
| L |  | 96#                                                                             | 2pcs  |
| M |  | φ4x22                                                                           | 4pcs  |
| N |  | 197x5x1                                                                         | 1pc   |
| O |  | φ8x40                                                                           | 1pc   |
| P |  | 12x12x1                                                                         | 2pc   |
| Q |  | φ5x40                                                                           | 1pc   |
| R |  | φ4x25                                                                           | 1pc   |
| S |  | Glue: For securing please apply to wood dowel first before inserting into panel | 1pc   |

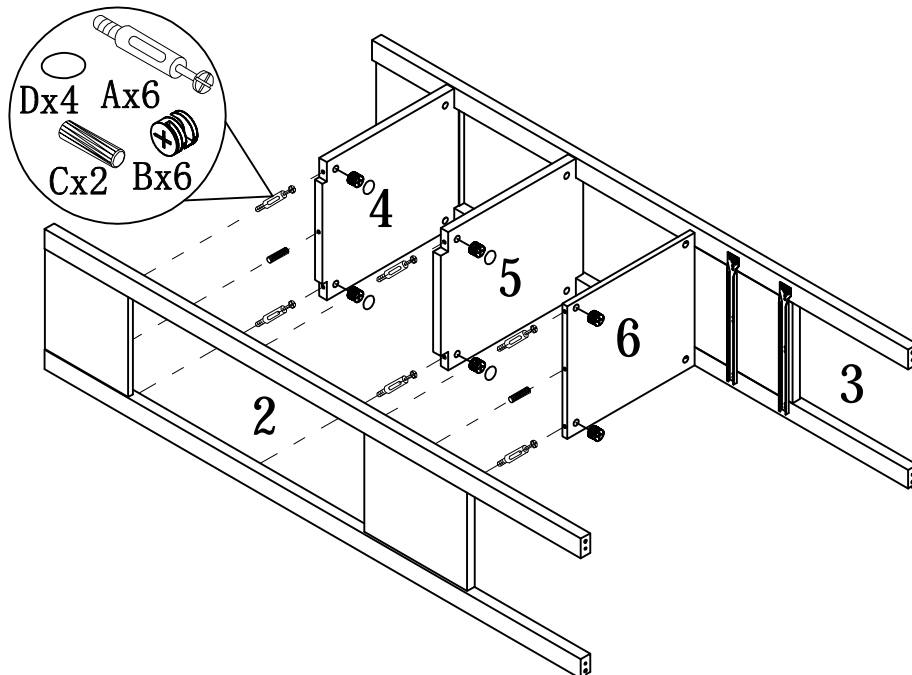
# ASSEMBLY INSTRUCTION

ITEM#: 182343P



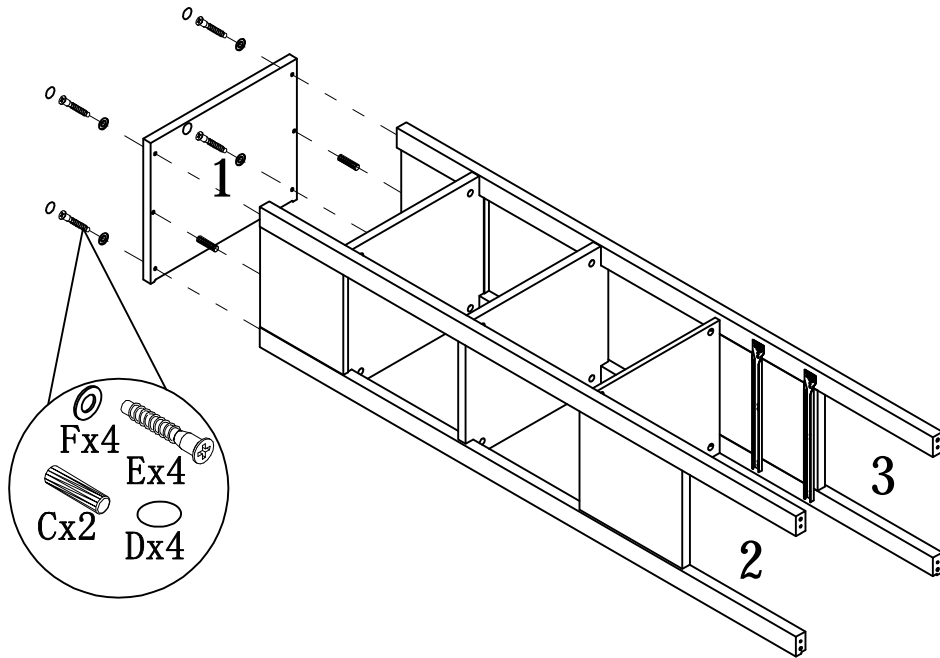
STEP1

STEP2



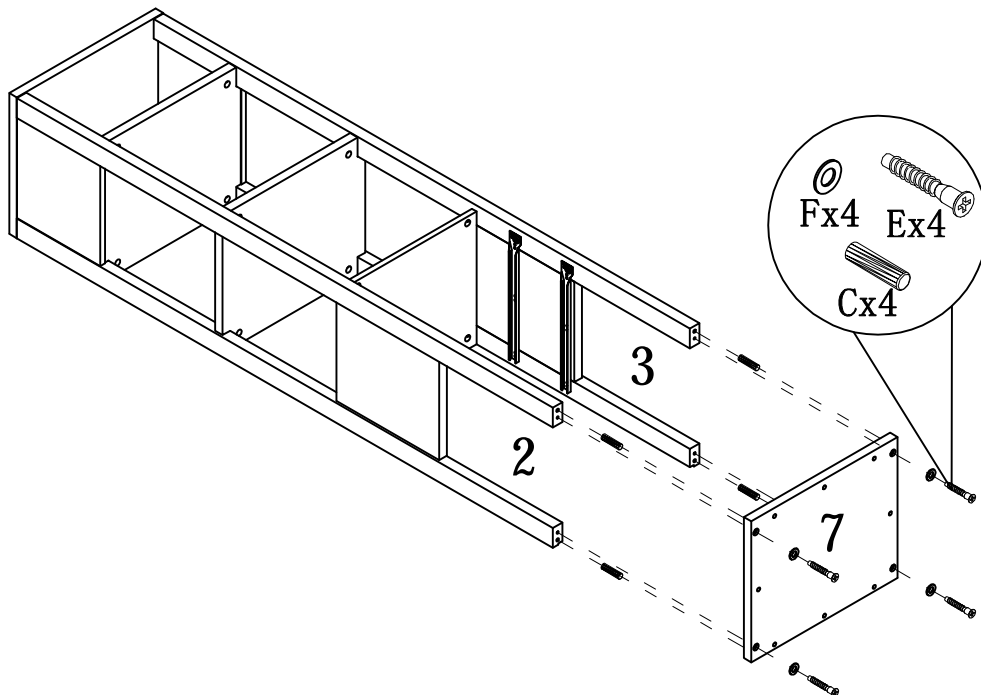
# ASSEMBLY INSTRUCTION

ITEM#: 182343P



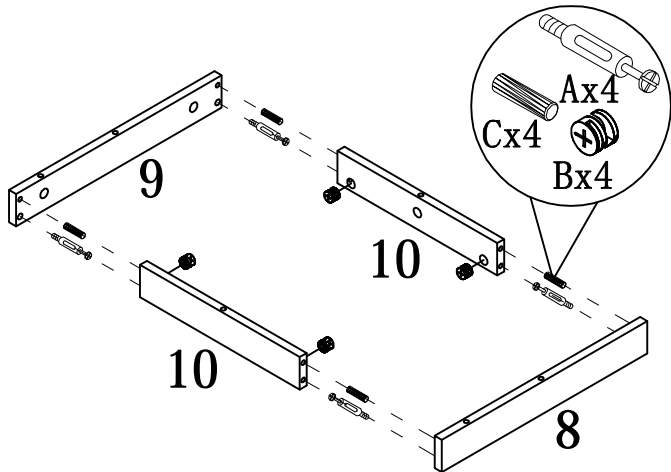
STEP3

STEP4



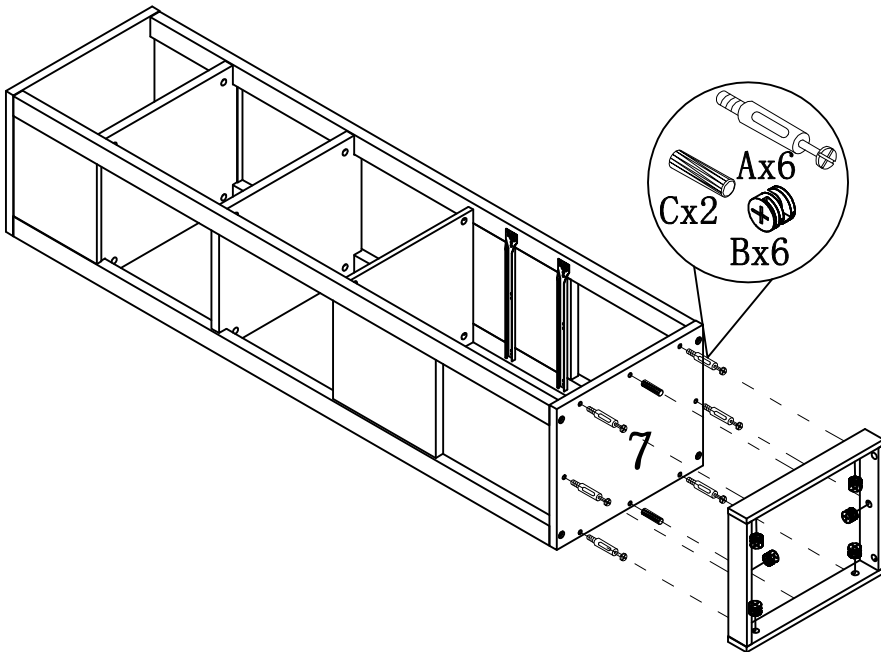
# ASSEMBLY INSTRUCTION

ITEM#: 182343P



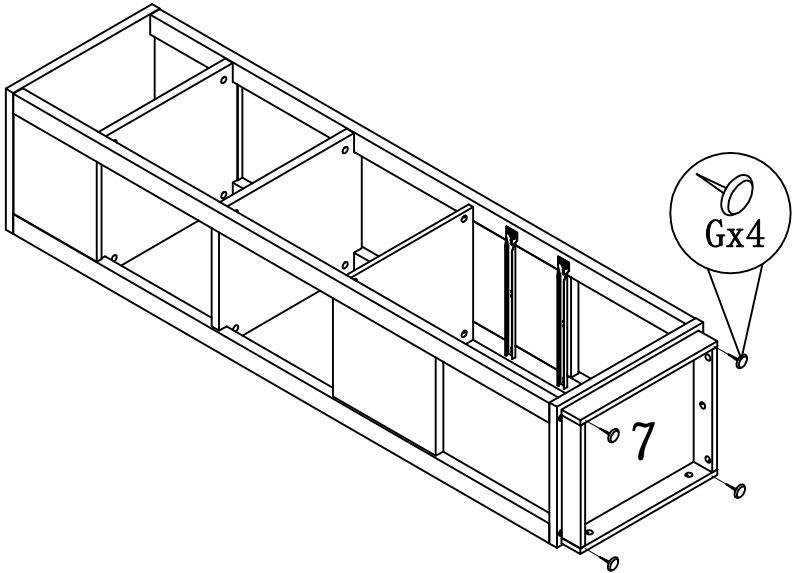
STEP5

STEP6



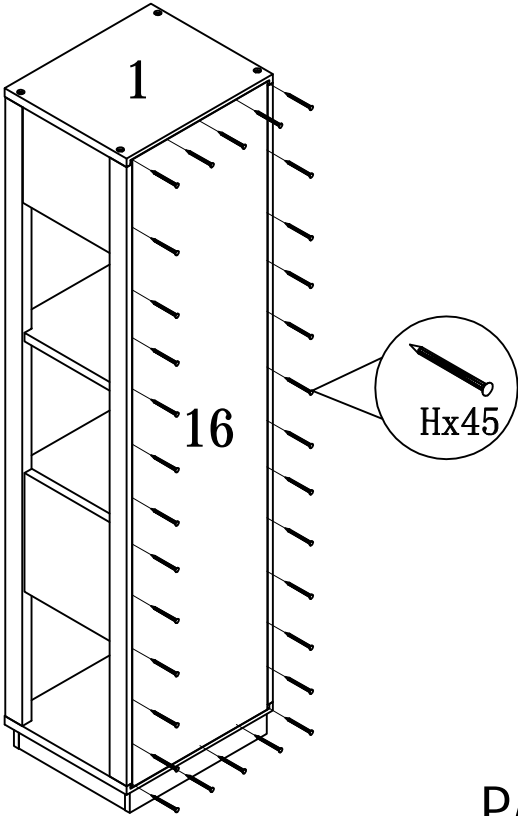
# ASSEMBLY INSTRUCTION

ITEM#: 182343P



STEP7

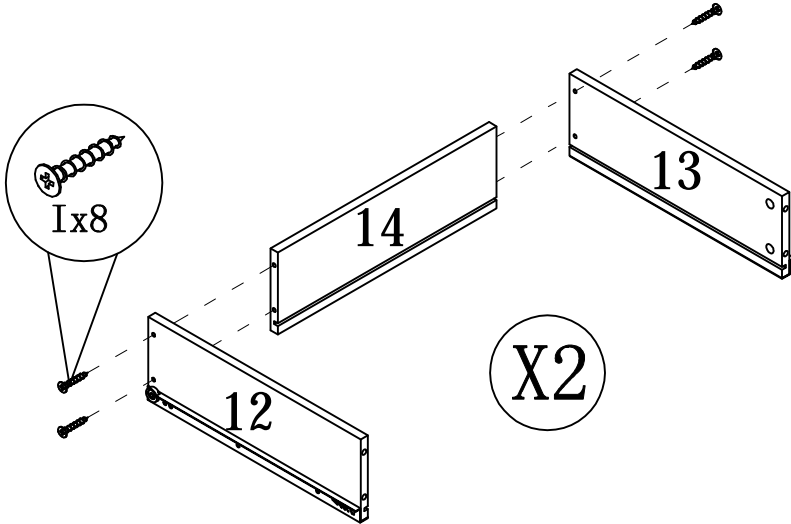
STEP8





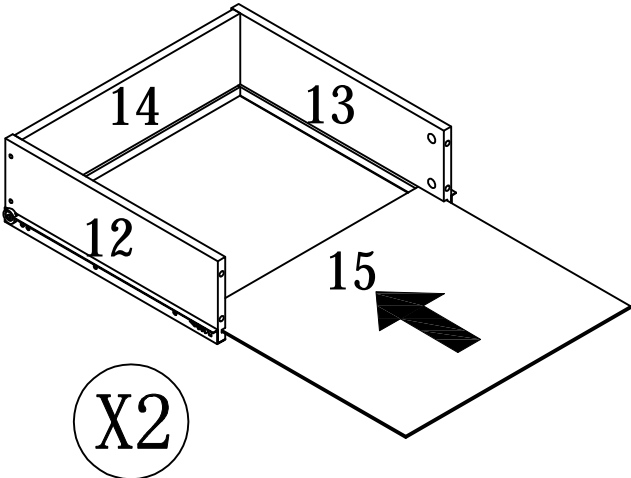
# ASSEMBLY INSTRUCTION

ITEM#: 182343P



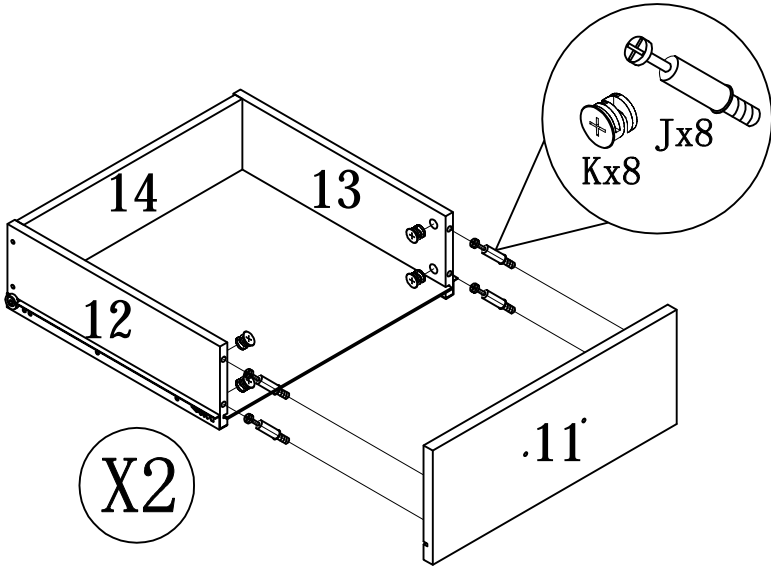
STEP9

STEP10



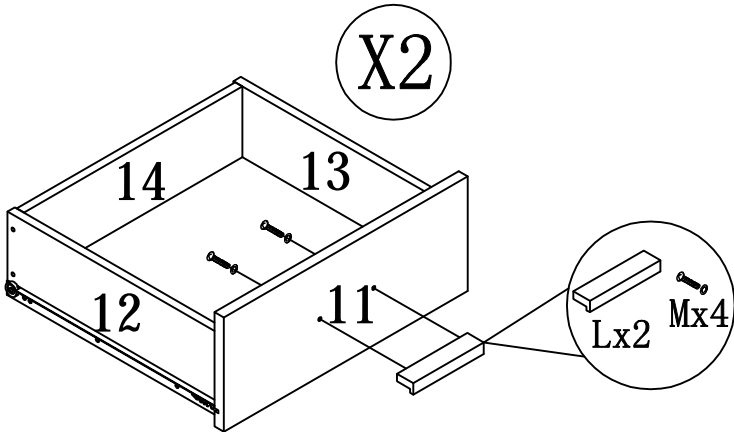
# ASSEMBLY INSTRUCTION

ITEM#: 182343P



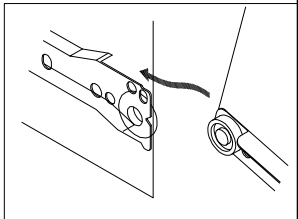
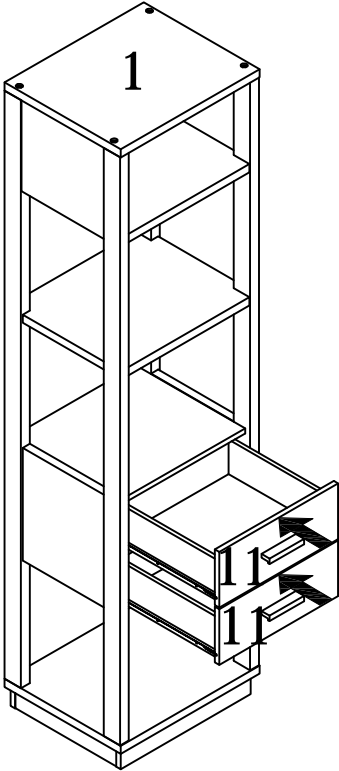
STEP11

STEP12



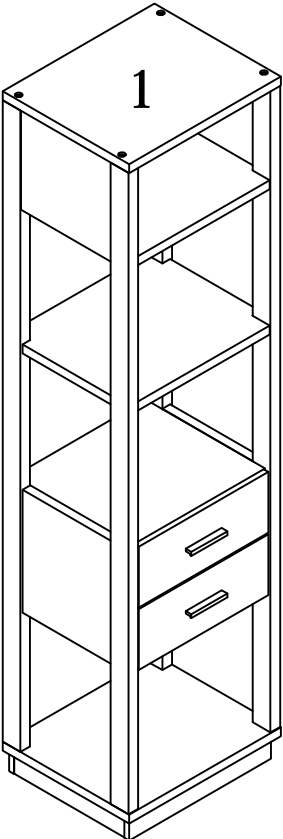
# ASSEMBLY INSTRUCTION

ITEM#: 182343P



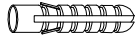
STEP13

STEP14

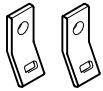


# ANTI-TIPPING STRAP INSTRUCTION

## HARDWARE (INCLUDED):



DRYWALL ANCHOR  $\phi 8 \times 40$  X 1PC



METAL BRACKETS  $12 \times 12 \times 1$  X 2PCS



DRYWALL SCREW  $\phi 5 \times 40$  X 1PC

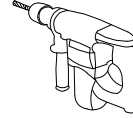


STRAP  $197 \times 5 \times 1$  X 1PC



FLATHEAD SCREW  $\phi 4 \times 25$  X 1PC

## TOOLS NEEDED ( NOT INCLUDED):



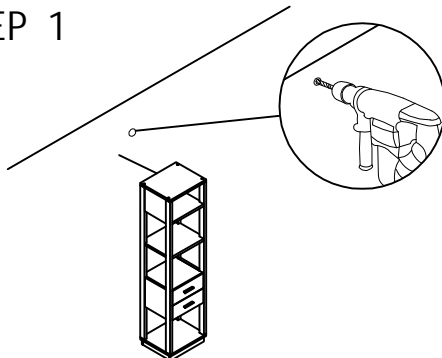
DRILL & DRILL BIT



LIGHT HAMMER

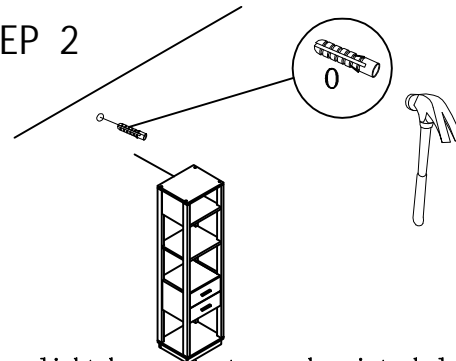
Note: Hardware included only compatible with standard drywalls.

### STEP 1



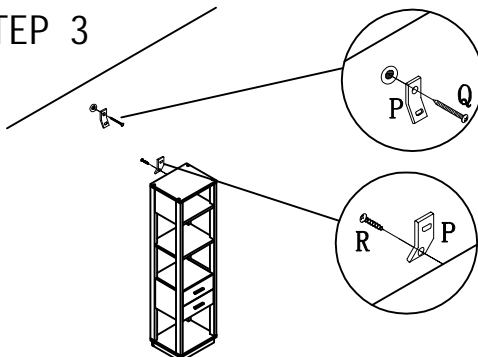
1. Find spot on wall 1" below top of item.
2. Using a drill bit slightly thinner than anchor, drill hole into drywall.

### STEP 2



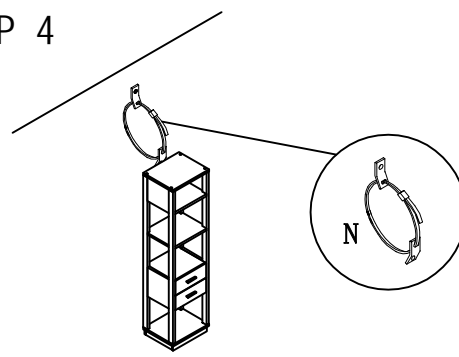
1. Use a light hammer to tap anchor into hole.
2. Anchor should fit snugly. If hole is too small, drill again to increase hole size. Do not force anchor into wall.

### STEP 3



1. Insert drywall screw into metal bracket and into drywall anchor.
2. Insert flathead screw into second metal bracket and into back of item along top edge.

### STEP 4



1. Insert strap thru bracket attached to wall, then thru bracket on item, and into head of strap.
  2. pull lightly til strap stops.
- Assembly is complete.