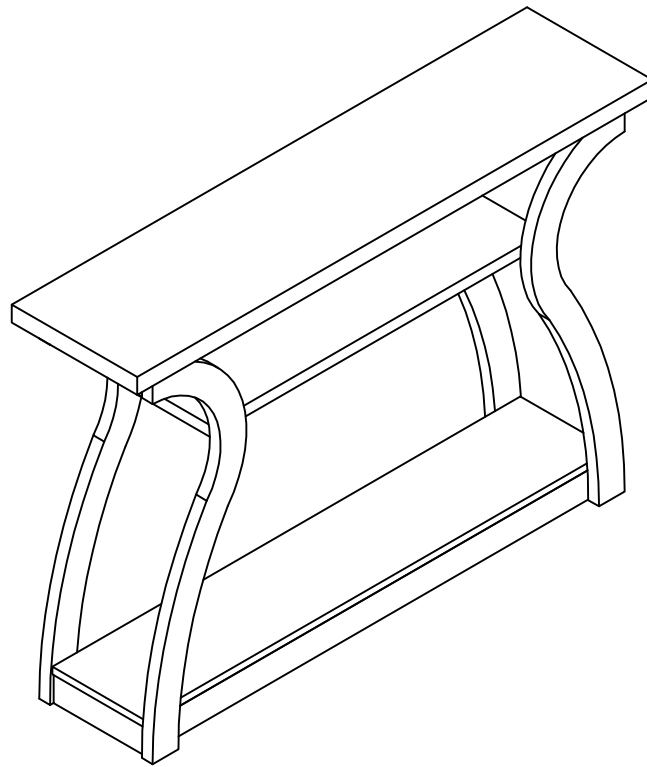


ASSEMBLY INSTRUCTION

ITEM#: 192444 212947 212948



ASSEMBLY INSTRUCTION

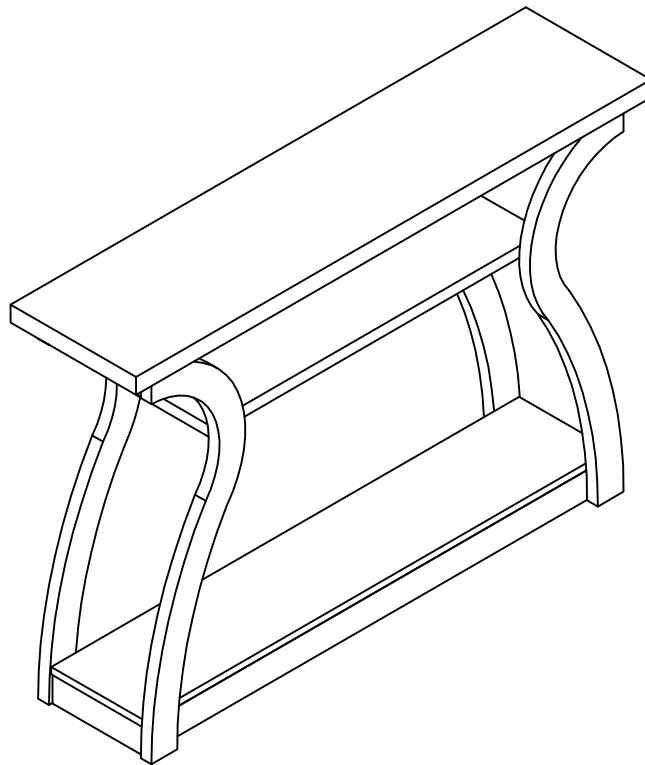
PLEASE READ BEFORE ASSEMBLING!

Tip #1: Make sure you've taken all the pieces and hardware out of its packaging before discarding the box. Assembly on top of flattened box/blanket is recommended.

Tip #2: Using page 2 and/or page 3 of instruction manual make sure all pieces and hardware are accounted for.

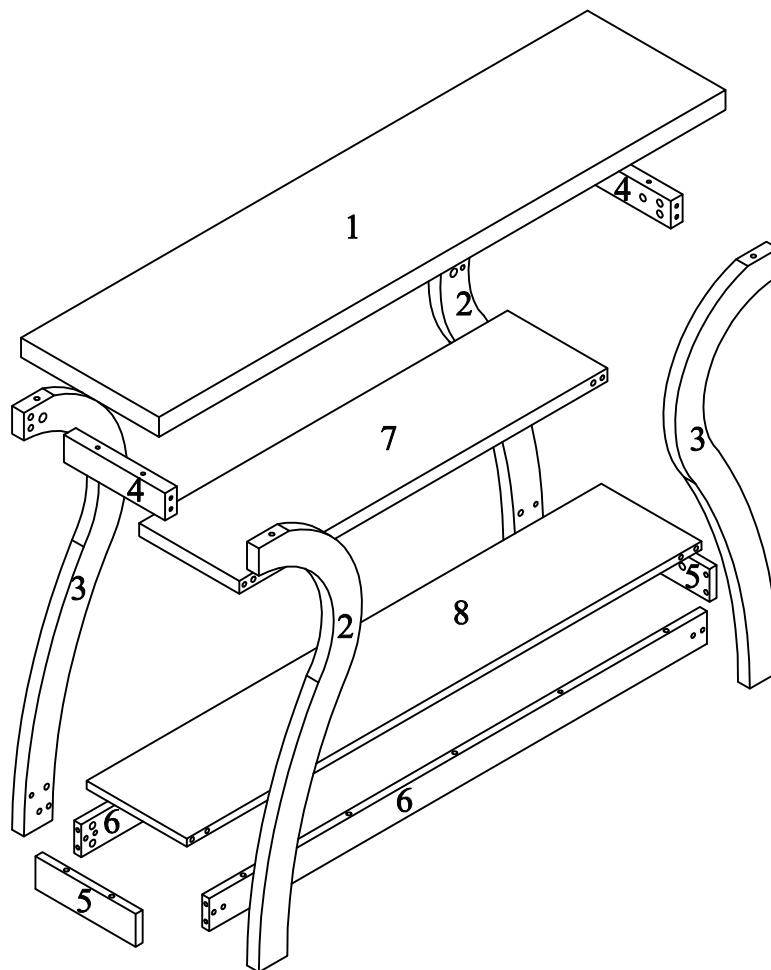
Tip #3: Note position of all holes on each panel during assembly.

ITEM#: 192444 212947 212948



PARTS IDENTIFICATION




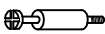




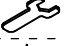



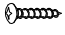


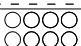
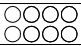

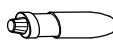
ITEM#: 192444 212947 212948



(1)	1pc	(5)	2pcs
(2)	2pcs	(6)	2pcs
(3)	2pcs	(7)	1pc
(4)	2pcs	(8)	1pc

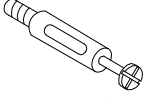

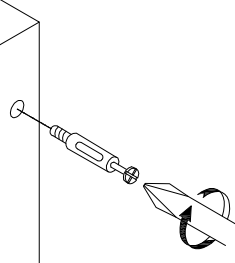
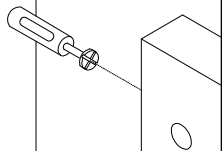
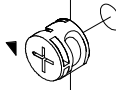
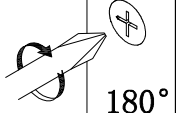
HARDWARE IDENTIFICATION

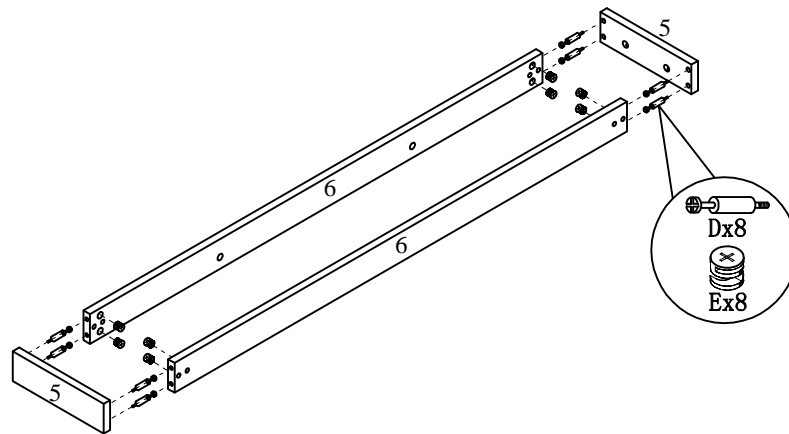
ITEM#: 192444 212947 212948

A		L29	20PCS
B		Ø15	20PCS
C		Ø8×25mm	14PCS
D		L24	16PCS
E		Ø12	16PCS
F		M8×70mm	4PCS
G			4PCS
H		M8	4PCS
I		M13	1PC
J		Ø16mm	6PCS
K		M6×25mm	8PCS
L		197×5×1	1PC
M		Ø4×25	1PC
N		Ø5×40	1PC
O		Ø8×40	1PC
P		Ø45mm	4PCS
Q		Ø22mm	16PCS
R		12×12×1	2PCS
S		Glue: For securing please apply to wood dowel first before inserting into panel	1PC

ASSEMBLY INSTRUCTION

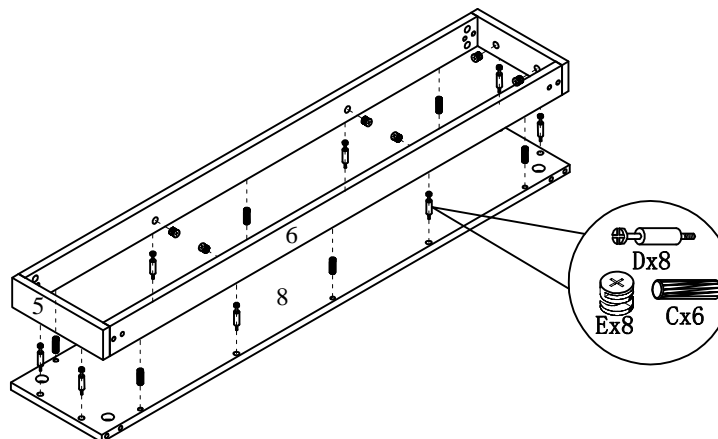
ITEM#: 192444 212947 212948

HOW TO	1	2	3	4
 <p>Cam Bolt</p>  <p>Cam Lock</p>				 <p>180°</p>
	<p>1. Screw Cam Bolt into panel.</p>	<p>2. Insert Cam Bolt into bolt hole of joining panel.</p>	<p>3. Insert Cam Lock. arrow facing bolt.</p>	<p>4. Gently turn Cam Lock clockwise to lock position.</p>



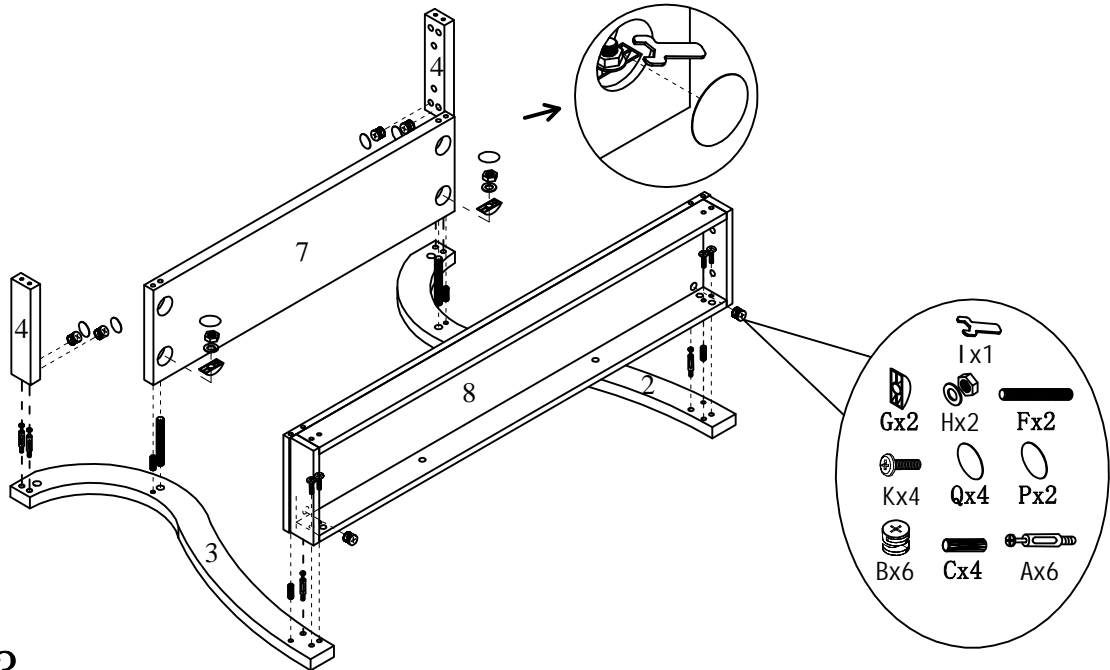
STEP 1

STEP 2

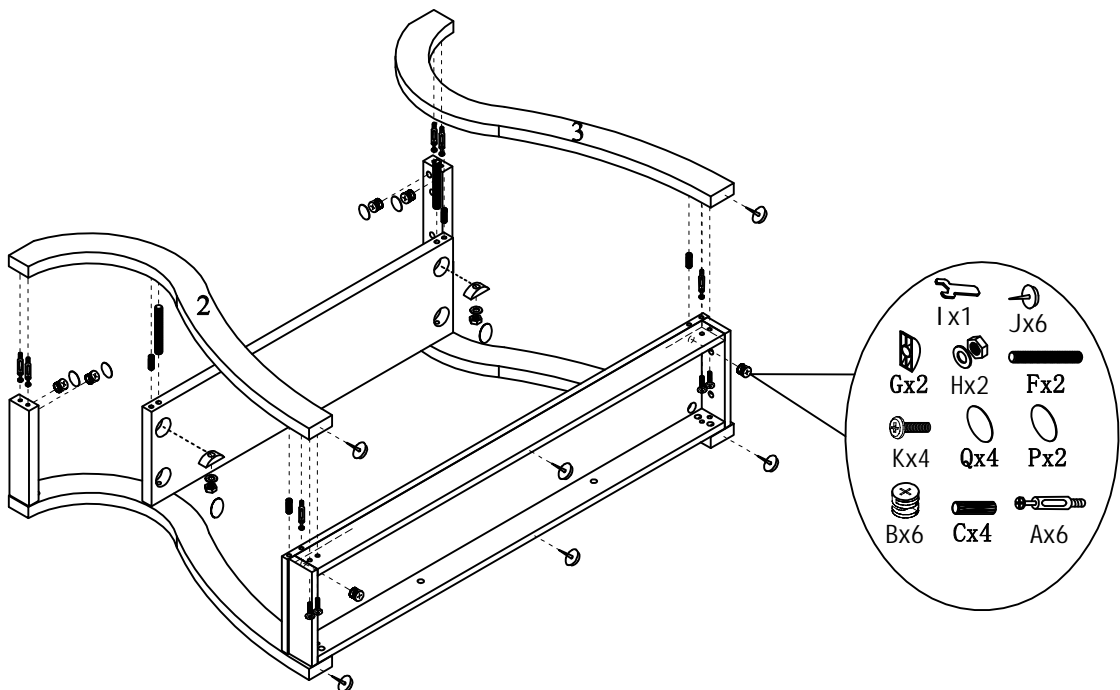


ASSEMBLY INSTRUCTION

ITEM#: 192444 212947 212948

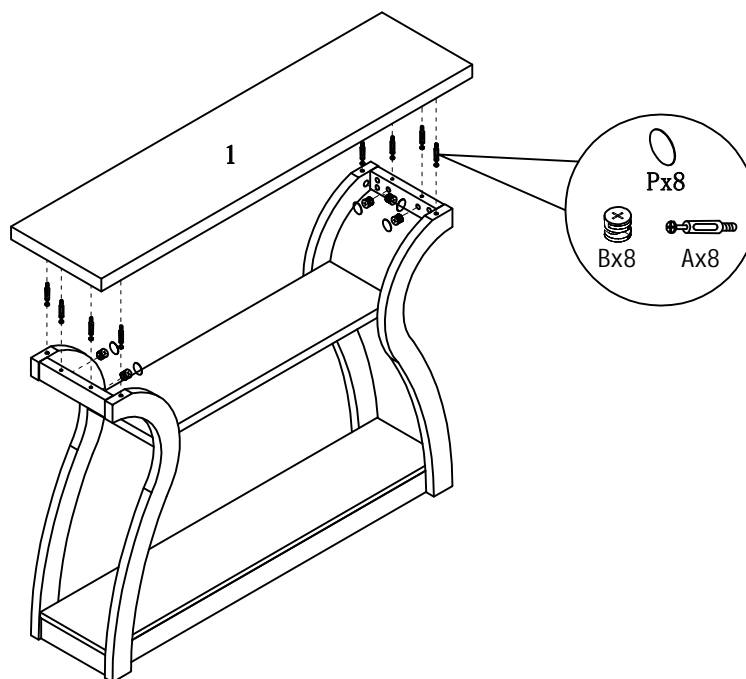


STEP 4



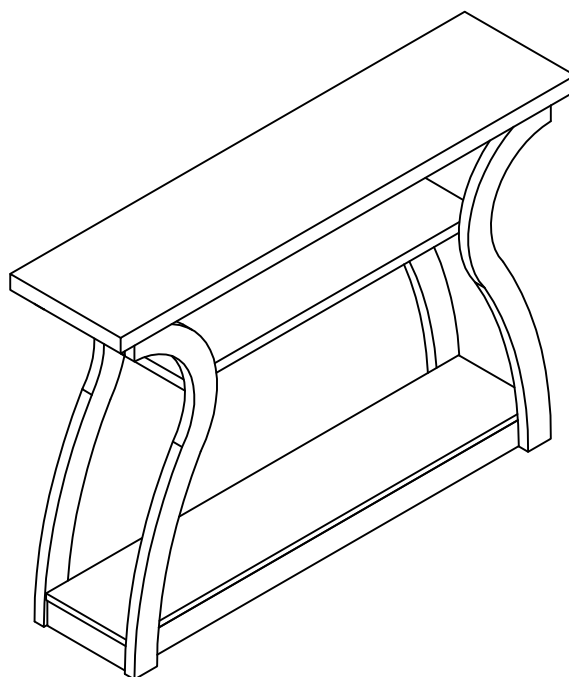
ASSEMBLY INSTRUCTION

ITEM#: 192444 212947 212948



STEP5

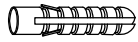
STEP6



ANTI-TIPPING STRAP INSTRUCTION

HARDWARE (INCLUDED) :

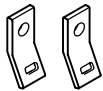
TOOLS NEEDED (NOT INCLUDED) :



DRYWALL ANCHOR $\phi 8 \times 40$ X 1PC



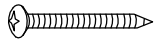
DRILL & DRILL BIT



METAL BRACKETS $12 \times 12 \times 1$ X 2PCS



LIGHT HAMMER



DRYWALL SCREW $\phi 5 \times 40$ X 1PC



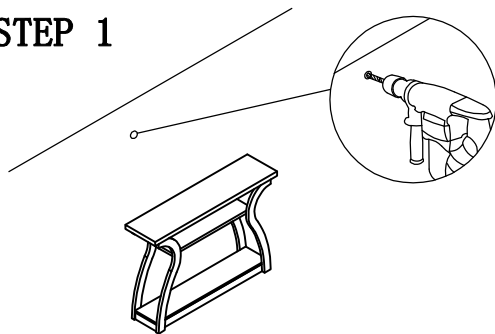
STRAP $197 \times 5 \times 1$ X 1PC



FLATHEAD SCREW $\phi 4 \times 25$ X 1PC

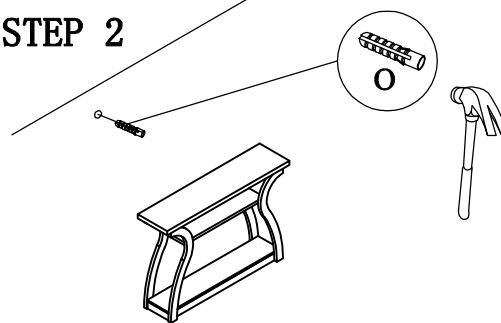
Note: Hardware included only compatible with standard drywalls.

STEP 1



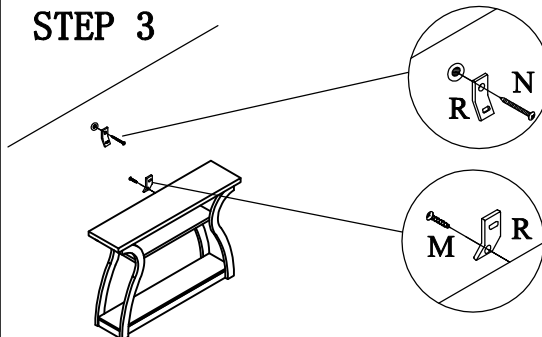
1. Find spot on wall 1" below top of item.
2. Using a drill bit slightly thinner than anchor, drill hole into drywall.

STEP 2



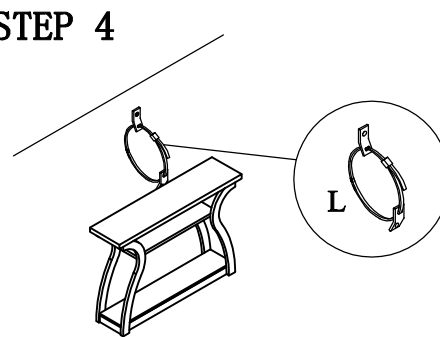
1. Use a light hammer to tap anchor into hole.
2. Anchor should fit snugly. If hole is too small, drill again to increase hole size. Do not force anchor into wall.

STEP 3



1. Insert drywall screw into metal bracket and into drywall anchor.
2. Insert flathead screw into second metal bracket and into back of item along top edge.

STEP 4



1. Insert strap thru bracket attached to wall, then thru bracket on item, and into head of strap.
 2. Pull lightly til strap stops.
- Assembly is complete.