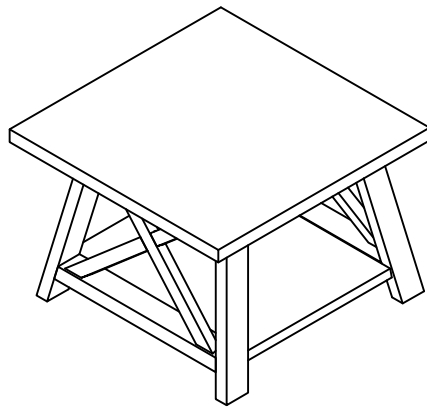


ASSEMBLY INSTRUCTION

ITEM#: 192532 ET



ASSEMBLY INSTRUCTION

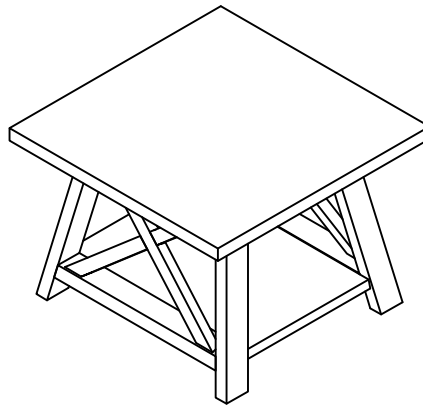
PLEASE READ BEFORE ASSEMBLING!

Tip #1: Make sure you've taken all the pieces and hardware out of its packaging before discarding the box.

Tip #2: Using page 2 and/or page 3 of instruction manual make sure all pieces and hardware are accounted for.

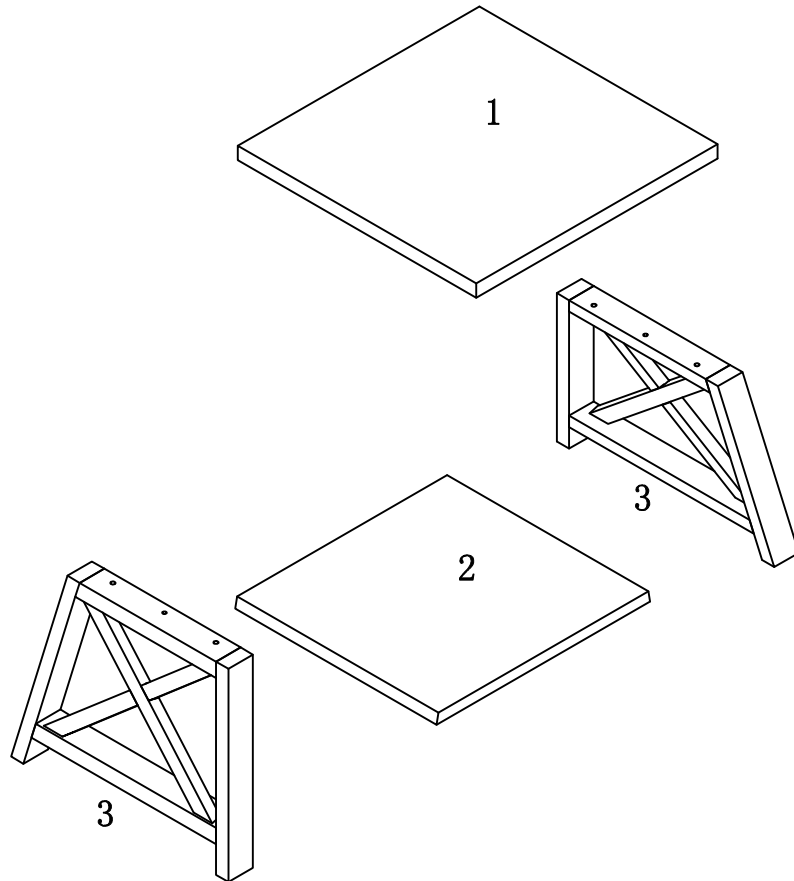
Tip #3: Read manual before assembling, it helps!

ITEM#: 192532 ET



PARTS IDENTIFICATION

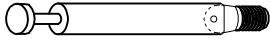







ITEM#: 192532 ET



- | | |
|-----|------|
| (1) | 1pc |
| (2) | 1pc |
| (3) | 2pcs |
| (4) | 1pc |

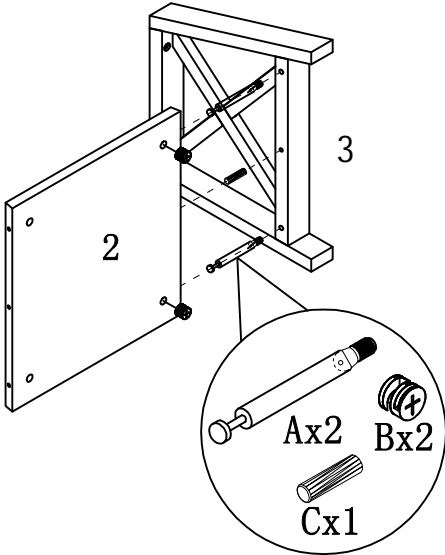
HARDWARE IDENTIFICATION

ITEM#: 192532 ET

A		L47	4pcs
B		Ø15	4pcs
C		Ø8x25	4pcs
D		Ø16	4pcs
E		M8x40	4pcs
F		Ø8xØ16x2	4pcs
G		M5	1pc
H		Glue: For securing please apply to wood dowel first before inserting into panel	1pc

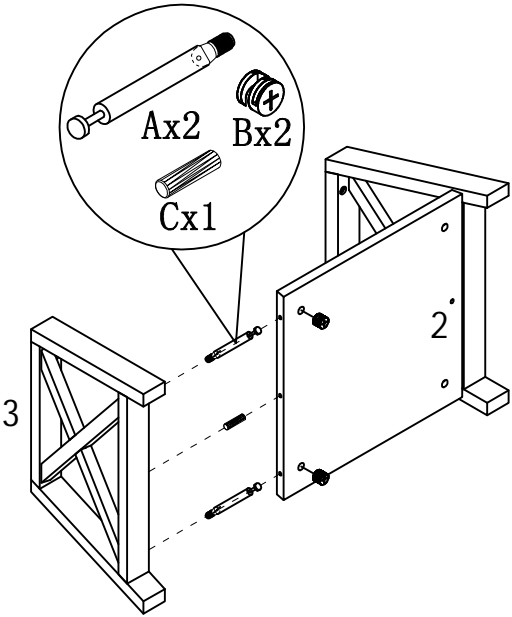
ASSEMBLY INSTRUCTION

ITEM#: 192532 ET



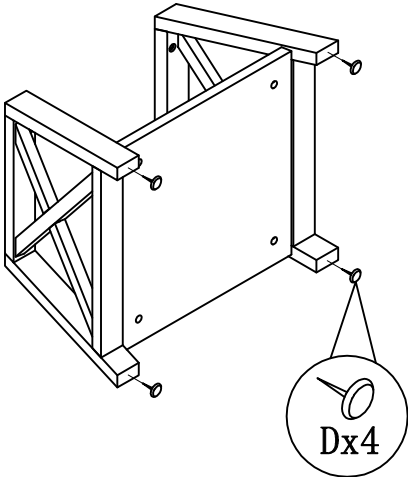
STEP 1

STEP 2



ASSEMBLY INSTRUCTION

ITEM#: 192532 ET



STEP3

STEP4

