

ASSEMBLY INSTRUCTION

PLEASE READ BEFORE ASSEMBLING!

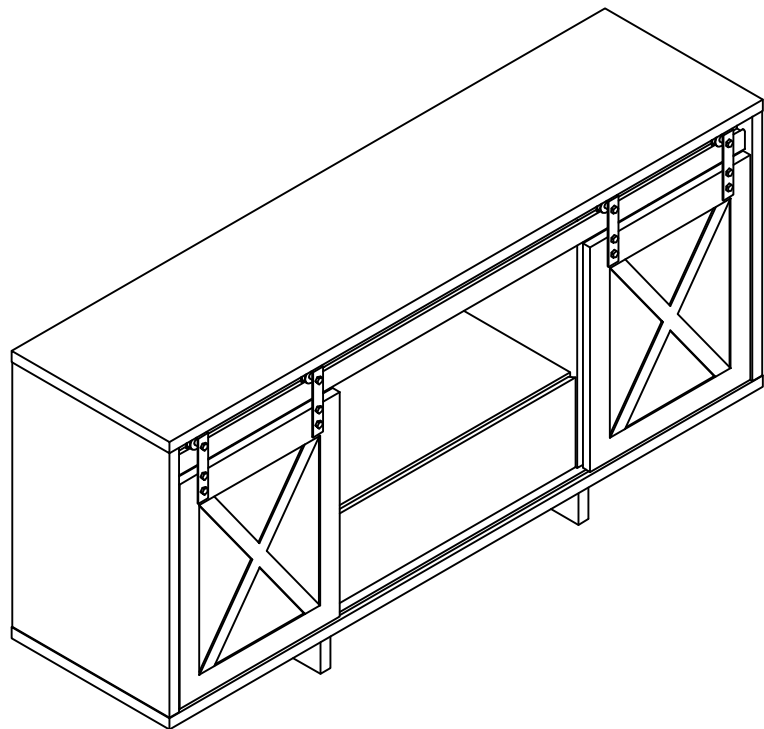
Tip #1: Make sure you've taken all the pieces and hardware out of its packaging before discarding the box.

Tip #2: Using page 2 and/or page 3 of instruction manual make sure all pieces and hardware are accounted for.

Tip #3: Read manual before assembling, it helps!

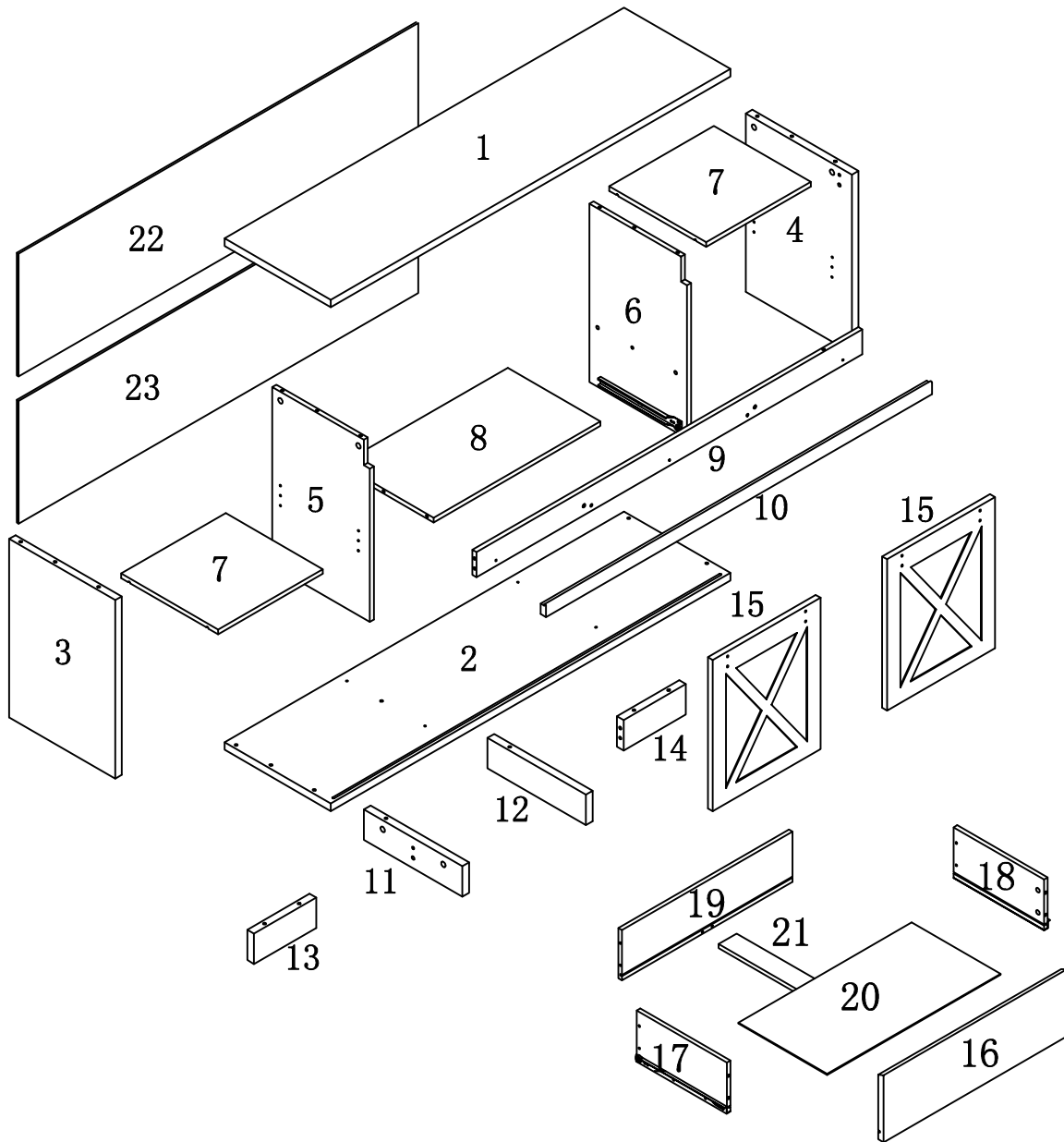
ITEM#: 192641

Need some help?
Scan here for
assembly video.



PARTS IDENTIFICATION


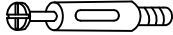


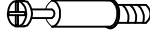

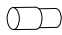




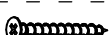
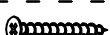

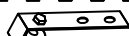





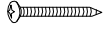
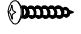

ITEM#: 192641



| | | | | | |
|-----|------|------|------|------|-----|
| (1) | 1pc | (9) | 1pc | (17) | 1pc |
| (2) | 1pc | (10) | 1pc | (18) | 1pc |
| (3) | 1pc | (11) | 1pc | (19) | 1pc |
| (4) | 1pc | (12) | 1pc | (20) | 1pc |
| (5) | 1pc | (13) | 1pc | (21) | 1pc |
| (6) | 1pc | (14) | 1pc | (22) | 1pc |
| (7) | 2pcs | (15) | 2pcs | (23) | 1pc |
| (8) | 1pc | (16) | 1pc | | |

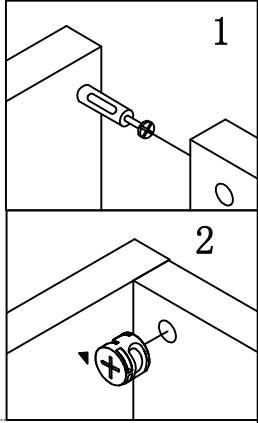
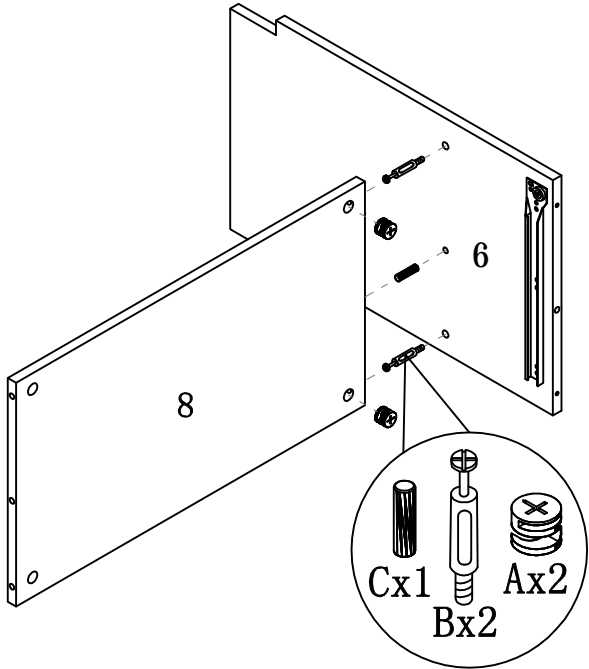
HARDWARE IDENTIFICATION

ITEM#: 192641

| | | | |
|---|---|---|-------|
| A |  | Φ 15 | 25pcs |
| B |  | L29 | 25pcs |
| C |  | Φ 8x25 | 18pcs |
| D |  | Φ 12 | 4pcs |
| E |  | L20 | 4pcs |
| F |  | Φ 6x30 | 6pcs |
| H |  | Φ 5x15 | 8pcs |
| I |  | M6x25 | 8pcs |
| J |  | M6 | 8pcs |
| K |  | Φ 16 | 6pcs |
| L |  | M10 | 2pcs |
| M |  | Φ 4x30 | 9pcs |
| N |  | Φ 4x40 | 6pcs |
| P |  | | 45pcs |
| Q |  | TMJ9 | 4pcs |
| R |  | φ 7 x 48 | 4pcs |
| S |  | φ8Xφ16X2 | 4pcs |
| T |  | 197x5x1 | 1pcs |
| U |  | Φ 8x40 | 1pcs |
| V |  | 12x12x1 | 2pcs |
| W |  | Φ 5x40 | 1pc |
| X |  | Φ 4x25 | 1pc |
| Y |  | Glue: For securing please apply to wood dowel first before inserting into panel | 1pc |

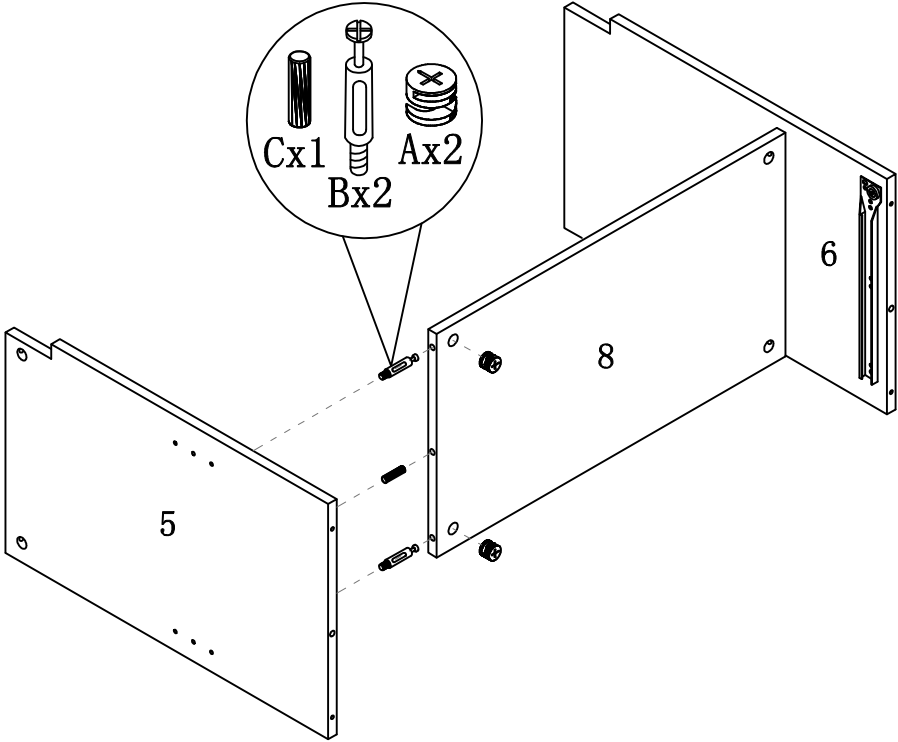
ASSEMBLY INSTRUCTION

ITEM#: 192641



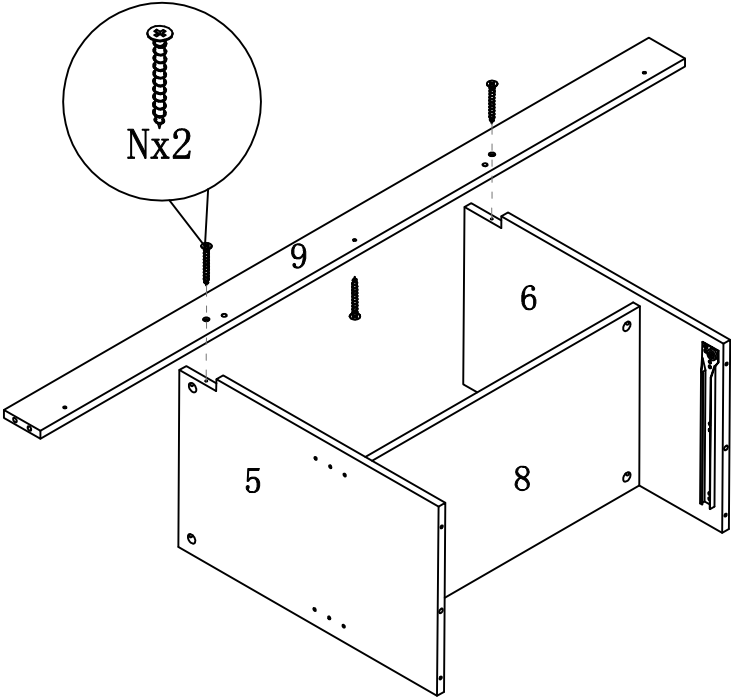
STEP 1

STEP 2



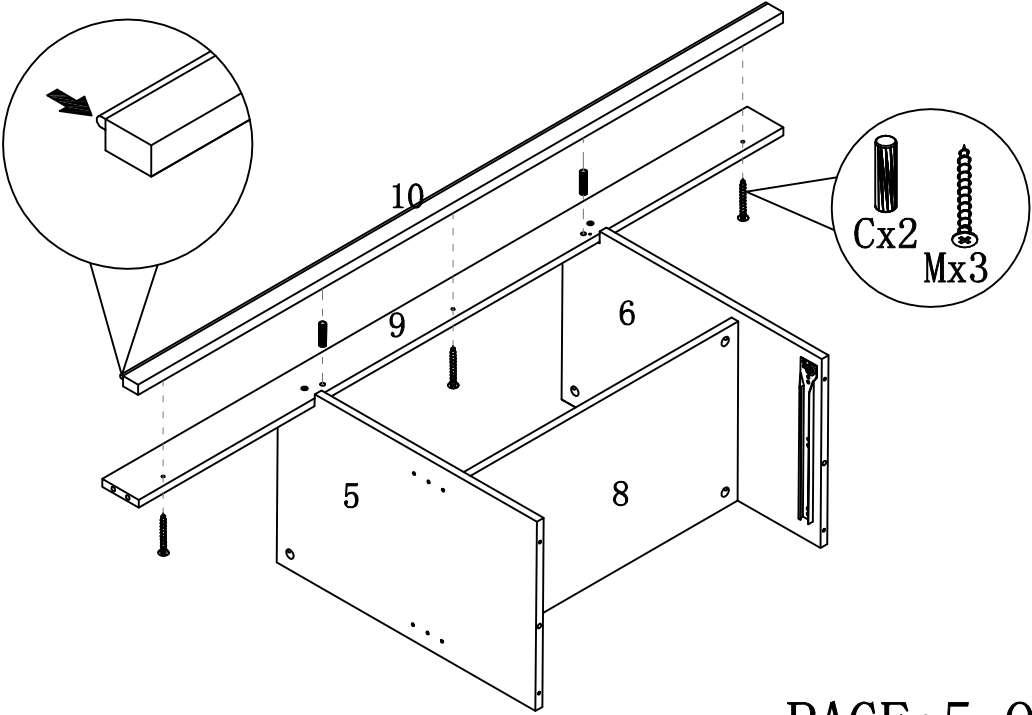
ASSEMBLY INSTRUCTION

ITEM#: 192641



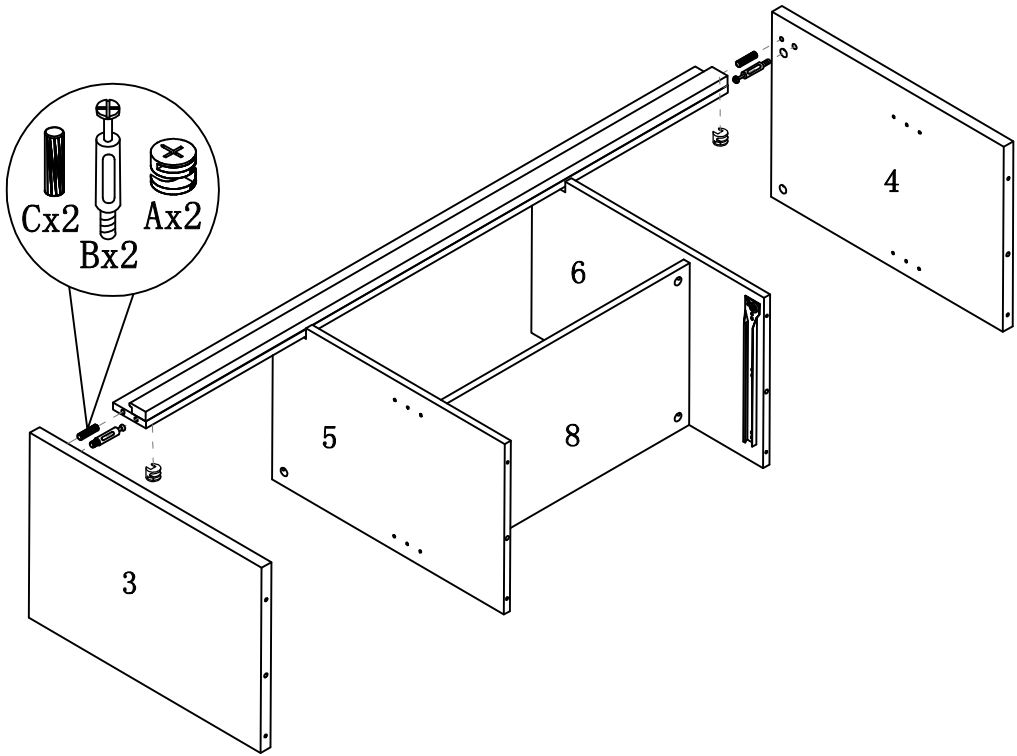
STEP3

STEP4



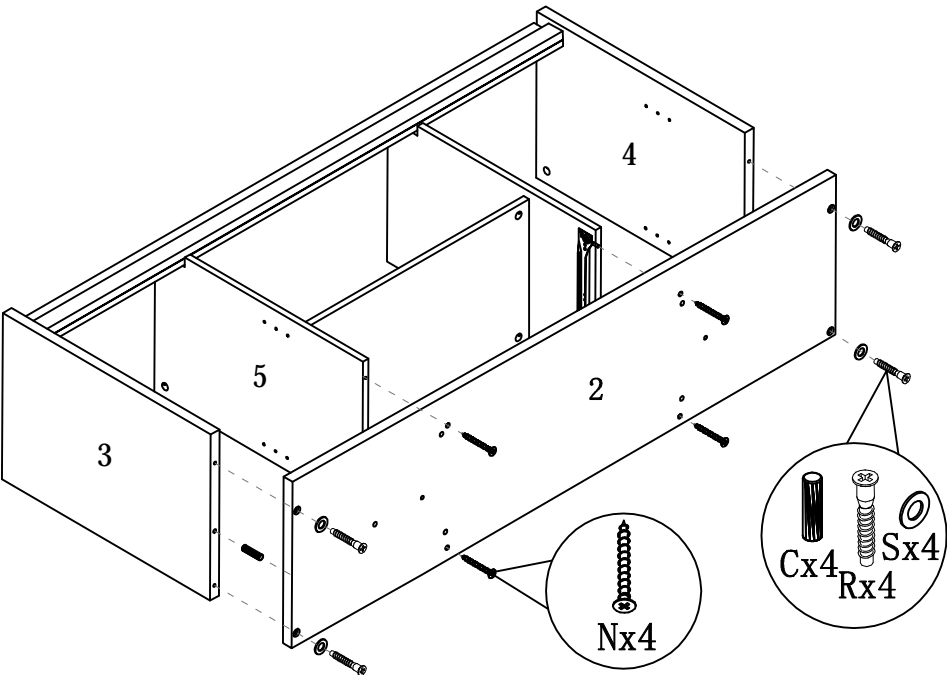
ASSEMBLY INSTRUCTION

ITEM#: 192641



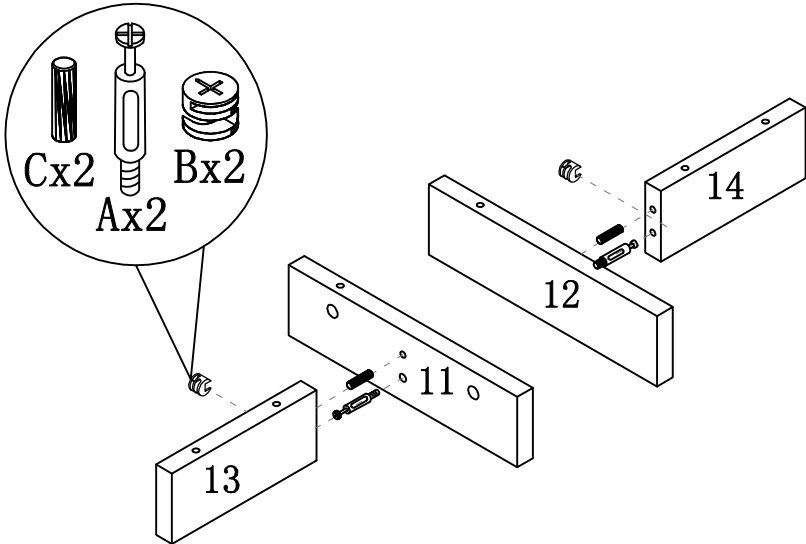
STEP5

STEP6



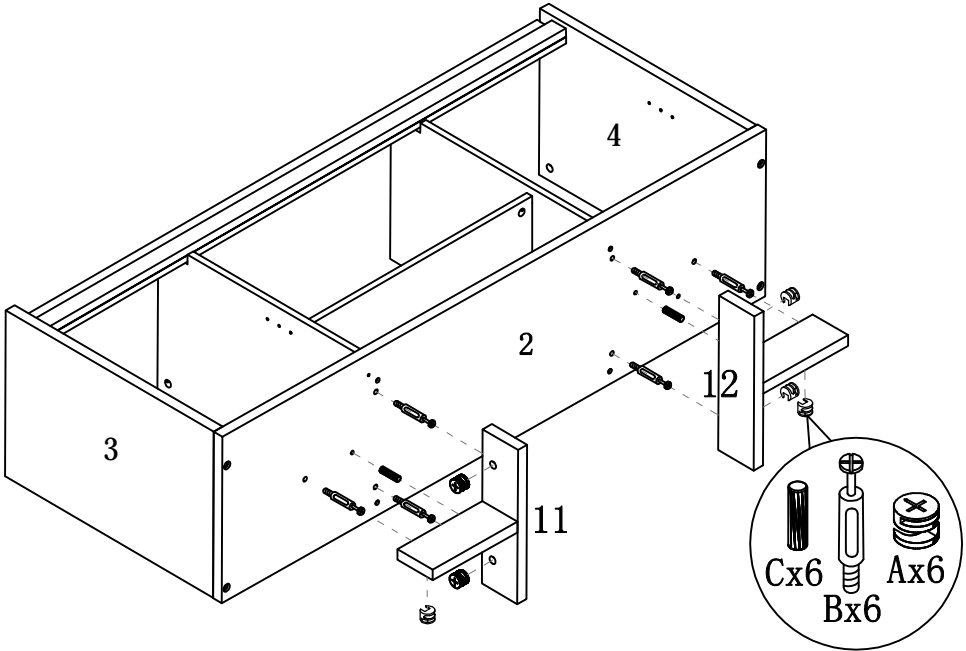
ASSEMBLY INSTRUCTION

ITEM#: 192641



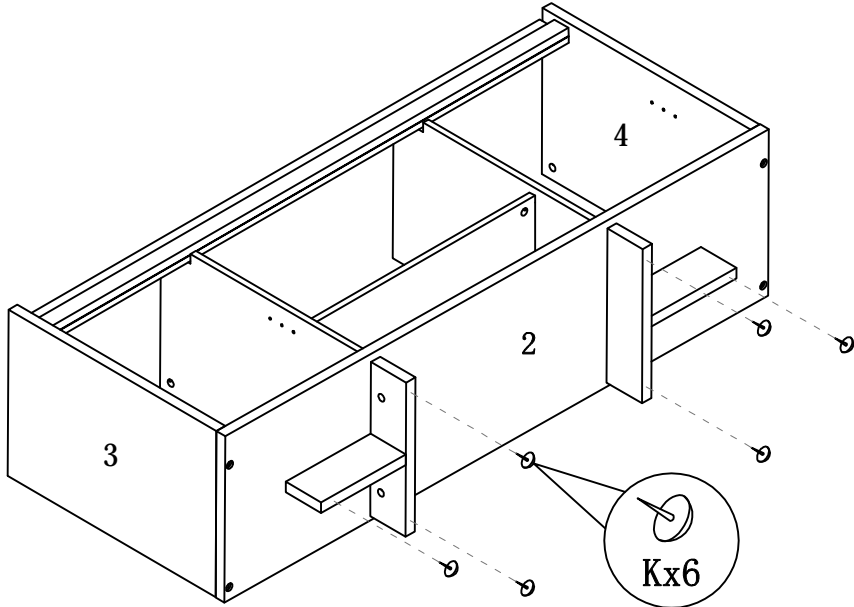
STEP7

STEP8



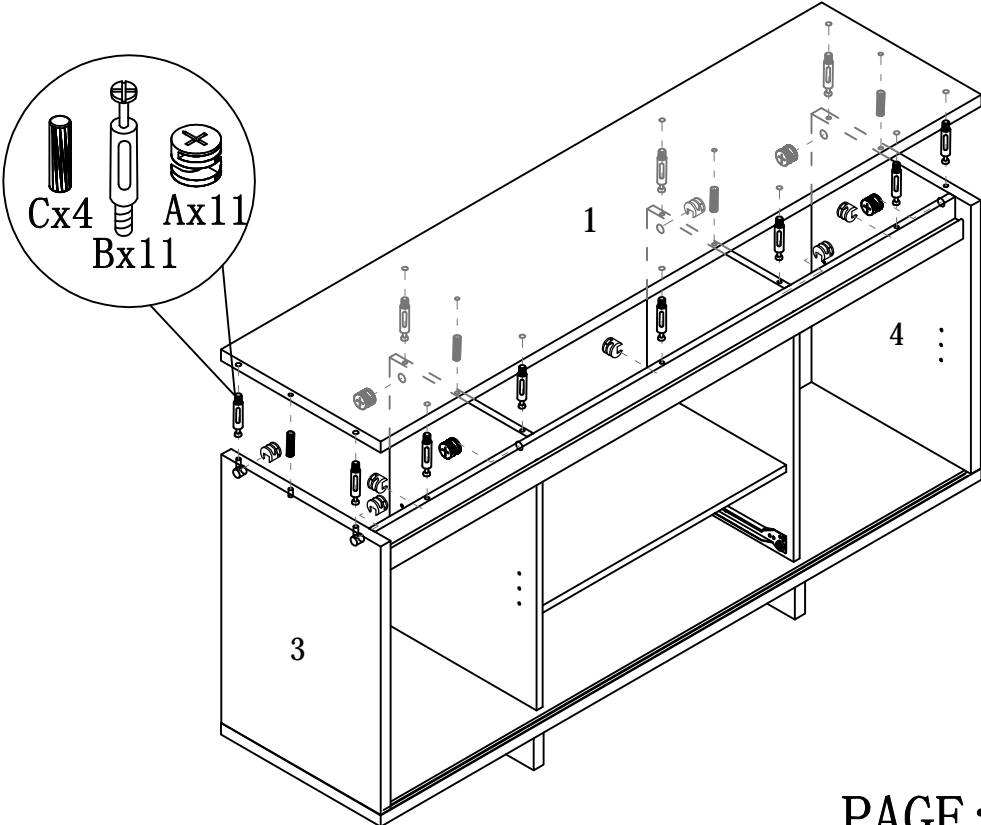
ASSEMBLY INSTRUCTION

ITEM#: 192641



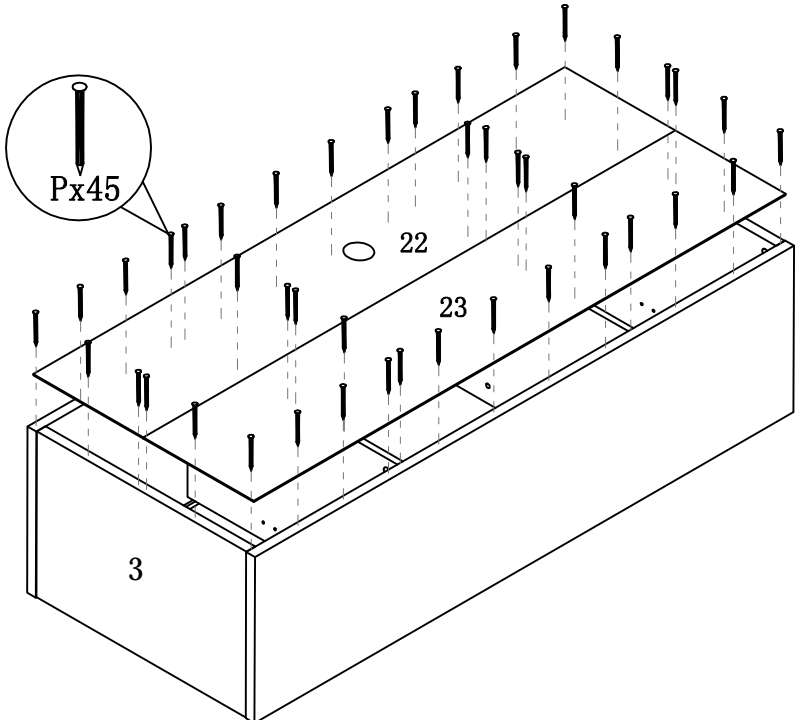
STEP9

STEP10



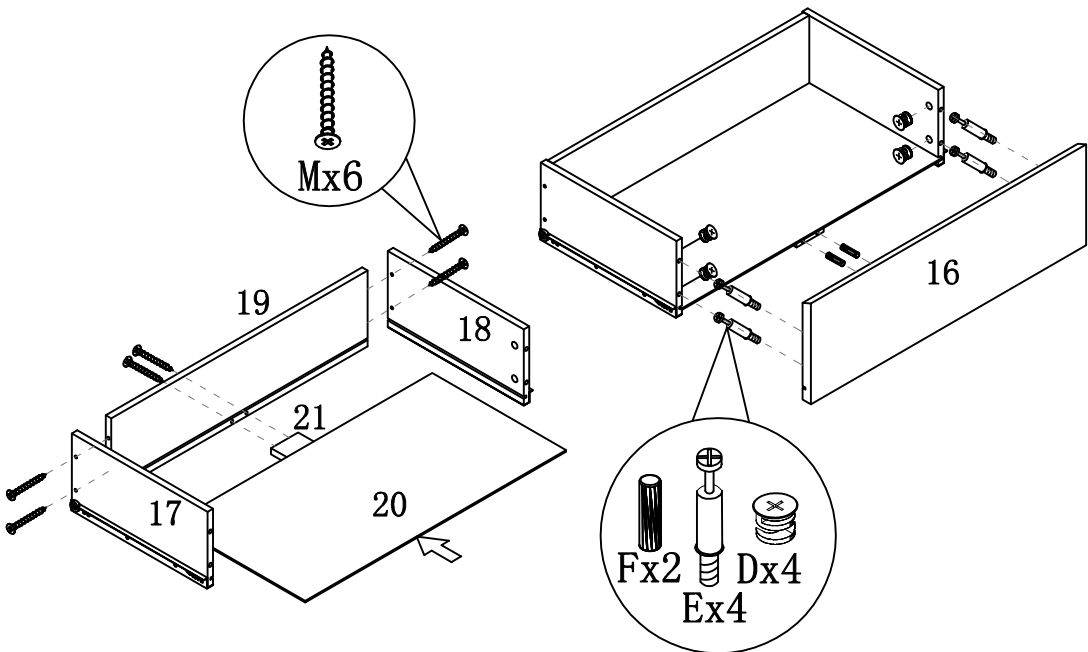
ASSEMBLY INSTRUCTION

ITEM#: 192641



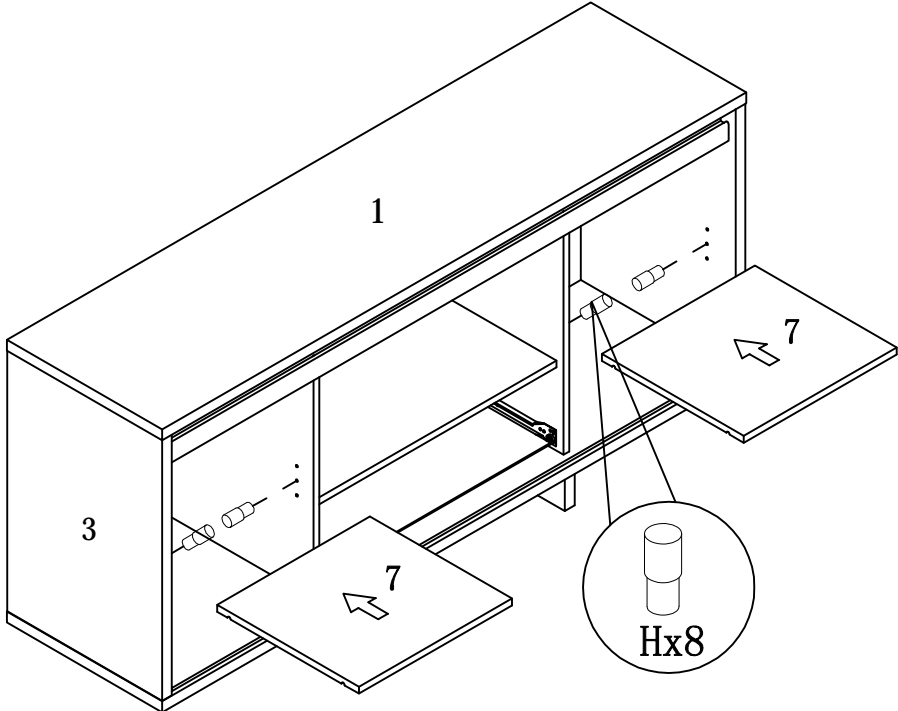
STEP 11

STEP 12



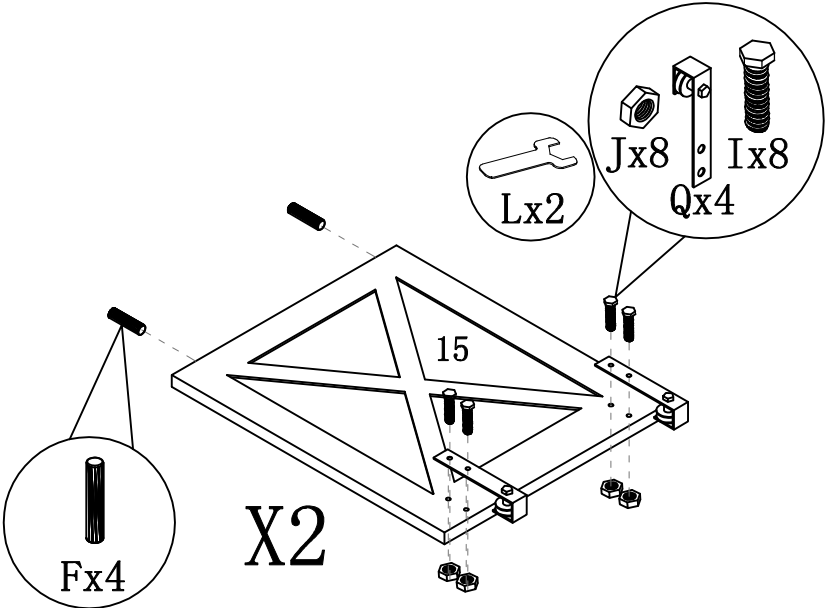
ASSEMBLY INSTRUCTION

ITEM#: 192641



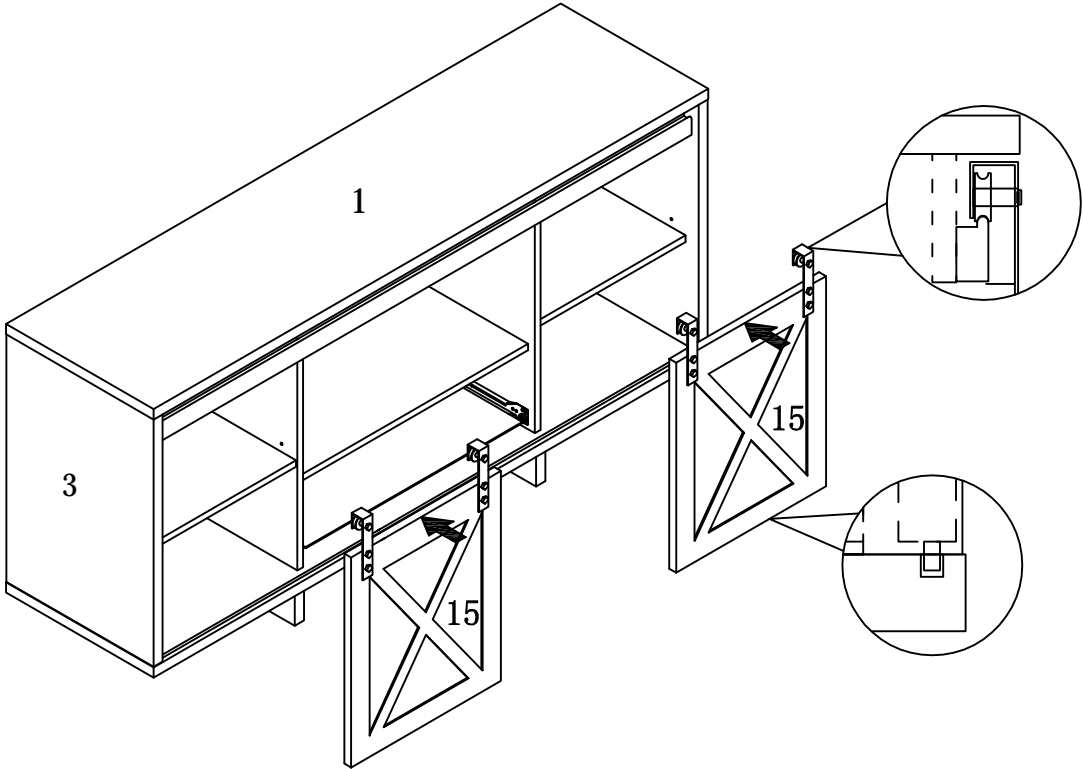
STEP 13

STEP 14



ASSEMBLY INSTRUCTION

ITEM#: 192641



STEP 15

STEP 16

