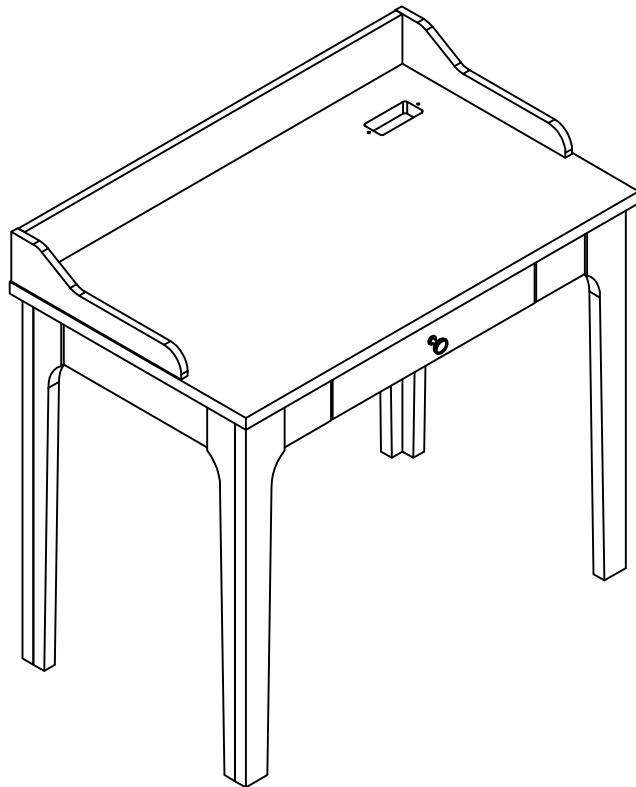


ASSEMBLY INSTRUCTION

ITEM#: 202841 202842 202843



ASSEMBLY INSTRUCTION

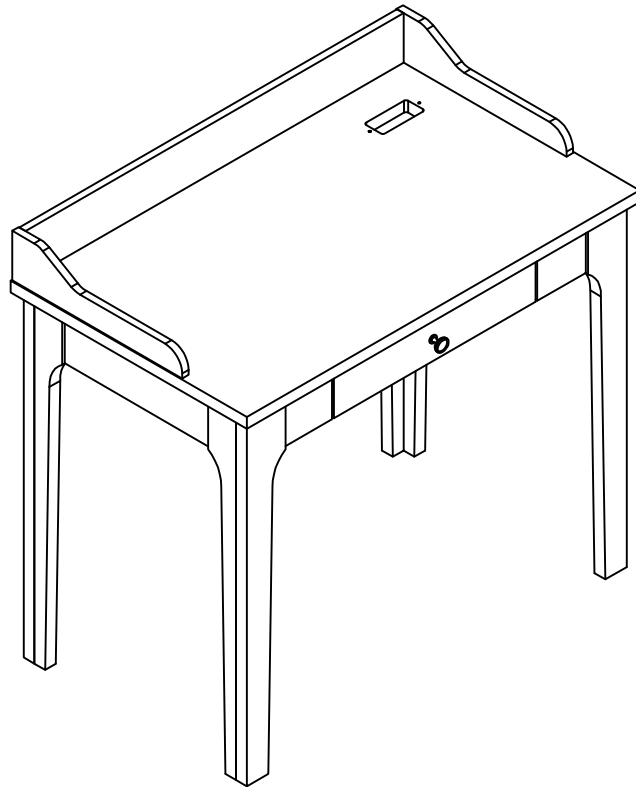
PLEASE READ BEFORE ASSEMBLING!

Tip #1: Make sure you've taken all the pieces and hardware out of its packaging before discarding the box. Assembly on top of flattened box/blanket is recommended.

Tip #2: Using page 2 and/or page 3 of instruction manual make sure all pieces and hardware are accounted for.

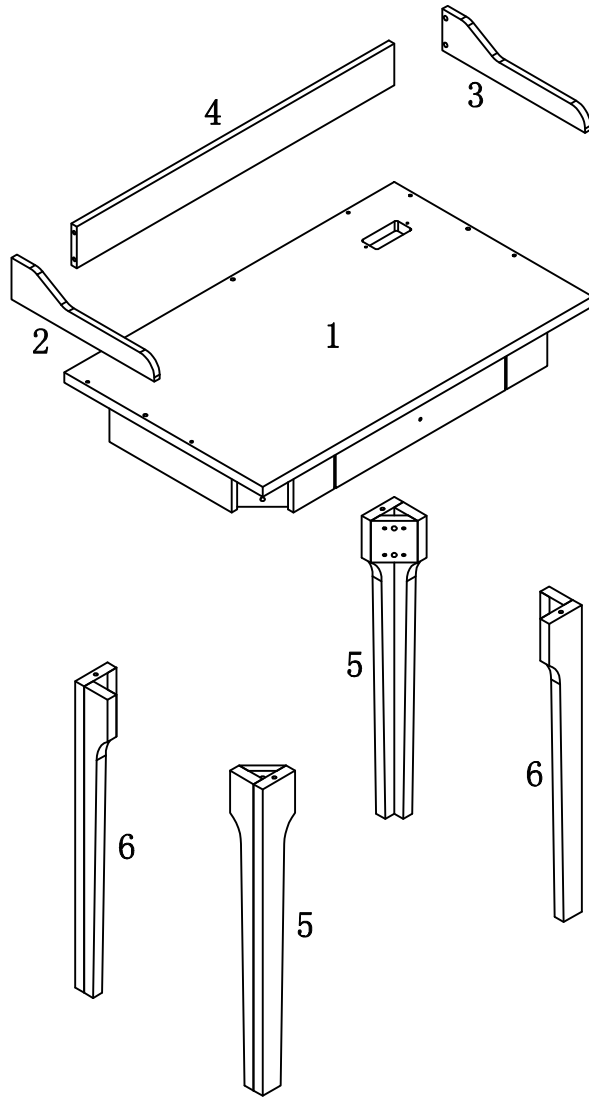
Tip #3: Note position of all holes on each panel during assembly.

ITEM#: 202841 202842 202843



PARTS IDENTIFICATION



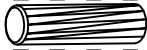

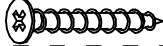










ITEM#: 202841 202842 202843



(1)	1pc	(4)	1pc
(2)	1pc	(5)	2pcs
(3)	1pc	(6)	2pcs

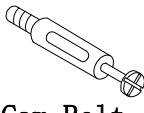
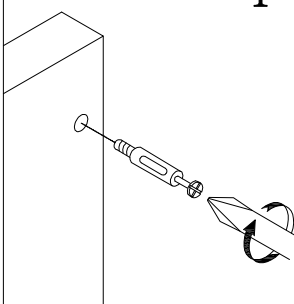
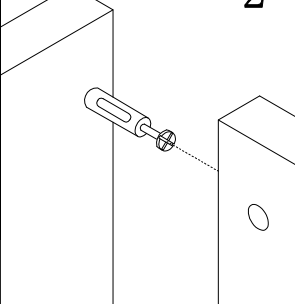
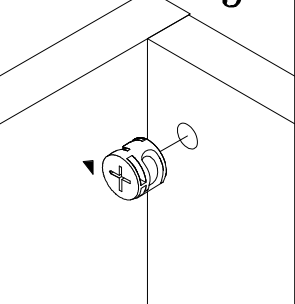
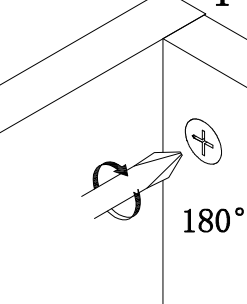

HARDWARE IDENTIFICATION

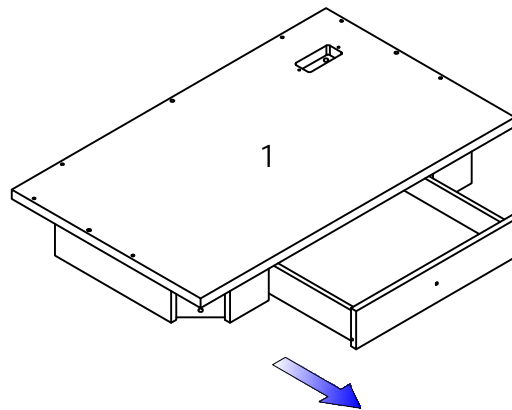
ITEM#: 202841 202842 202843

A		L29		4pcs
B		ø15		4pcs
C		ø8x25		3pcs
D		ø3.5x12		2pcs
E		ø4x45		6pcs
F		ø15		6pcs
G		ø22		4pcs
H		ø16		4pcs
I				1pc
J		M4x22		1pc
K		M8x45		8pcs
L		ø16xø8x2		8pcs
M				8pcs
N		M5		1pc
O				1pc

ASSEMBLY INSTRUCTION

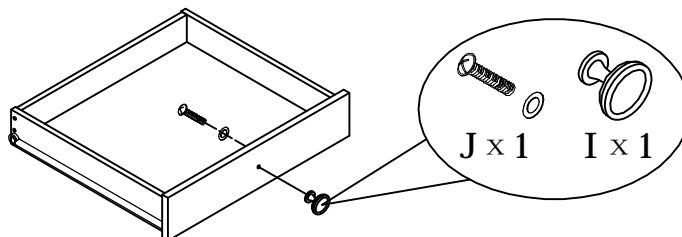
ITEM#: 202841 202842 202843

HOW TO	1	2	3	4
 Cam Bolt				
 Cam Lock	1. Screw Cam Bolt into panel.	2. Insert Cam Bolt into bolt hole of joining panel.	3. Insert Cam Lock. arrow facing bolt.	4. Gently turn Cam Lock clockwise to lock position.



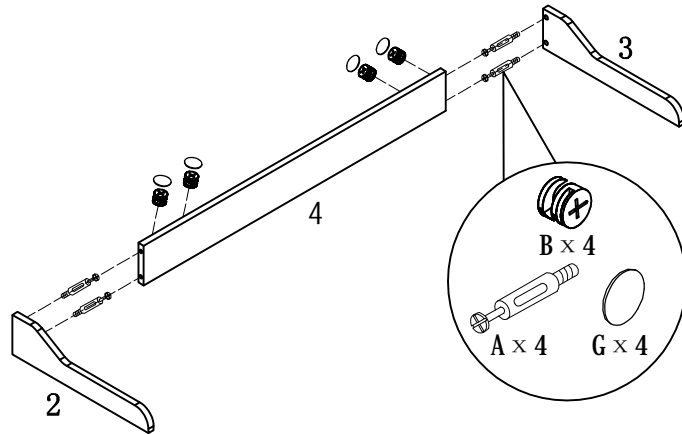
STEP1

STEP2



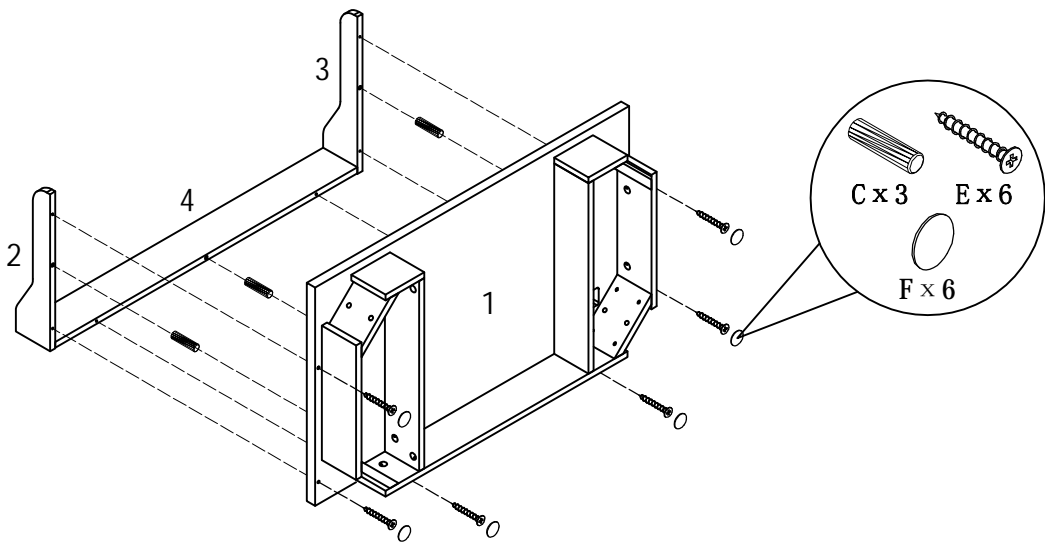
ASSEMBLY INSTRUCTION

ITEM#: 202841 202842 202843



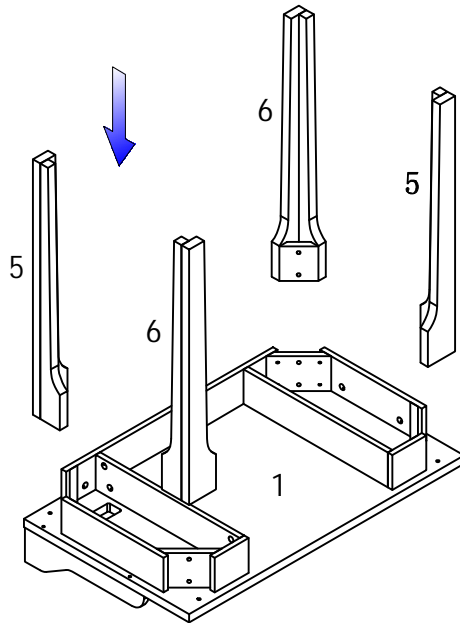
STEP3

STEP4



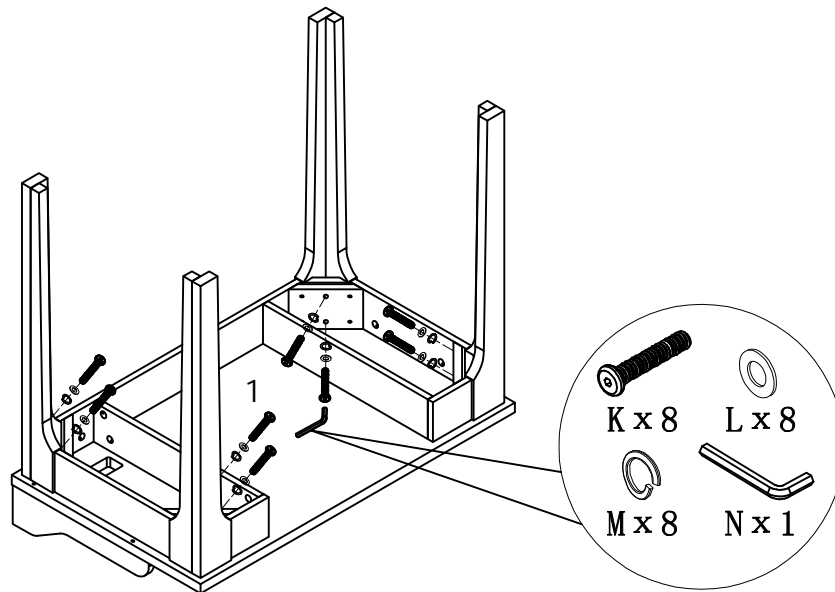
ASSEMBLY INSTRUCTION

ITEM#: 202841 202842 202843



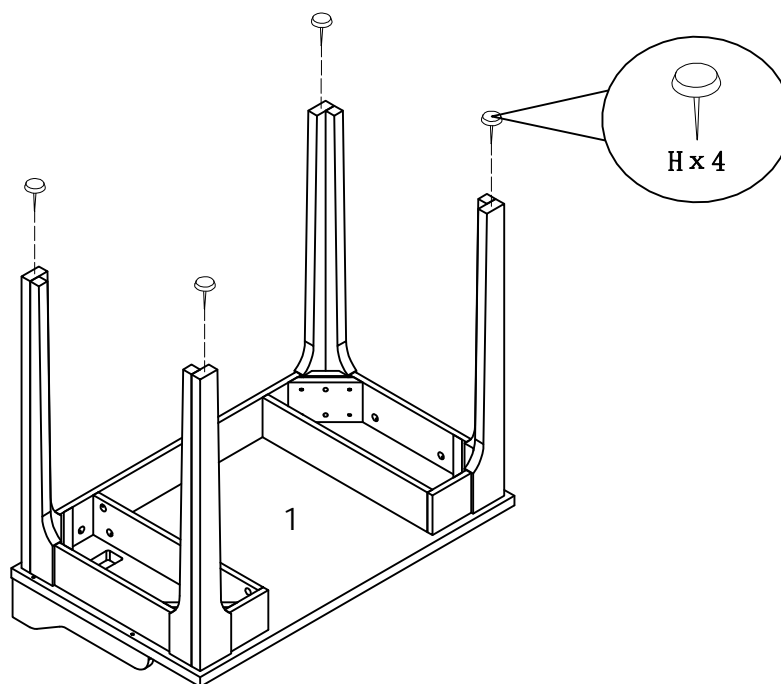
STEP5

STEP6



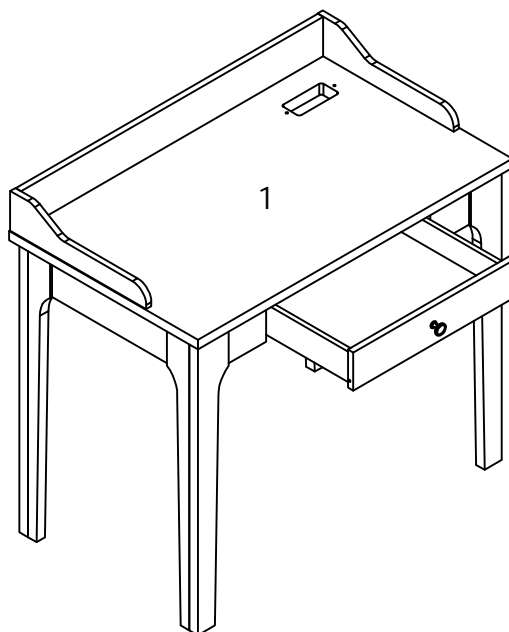
ASSEMBLY INSTRUCTION

ITEM#: 202841 202842 202843



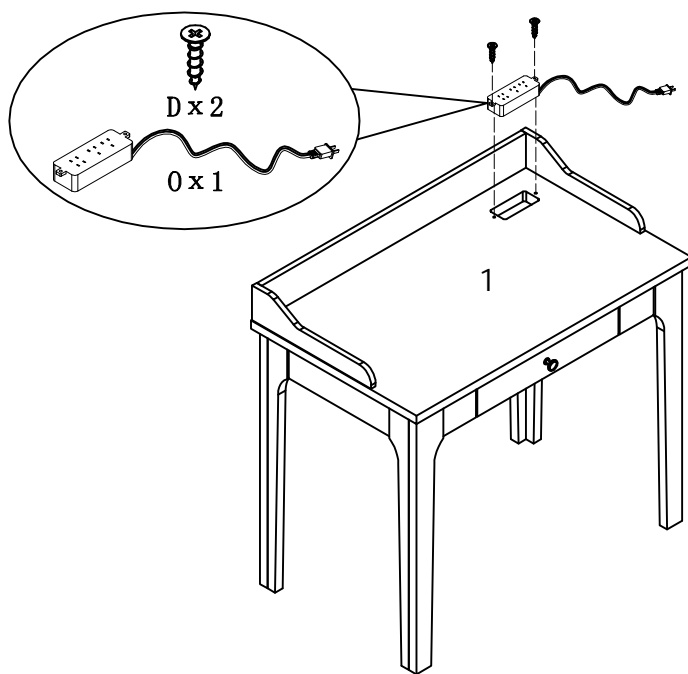
STEP 7

STEP 8



ASSEMBLY INSTRUCTION

ITEM#: 202841 202842 202843



STEP9

STEP10

