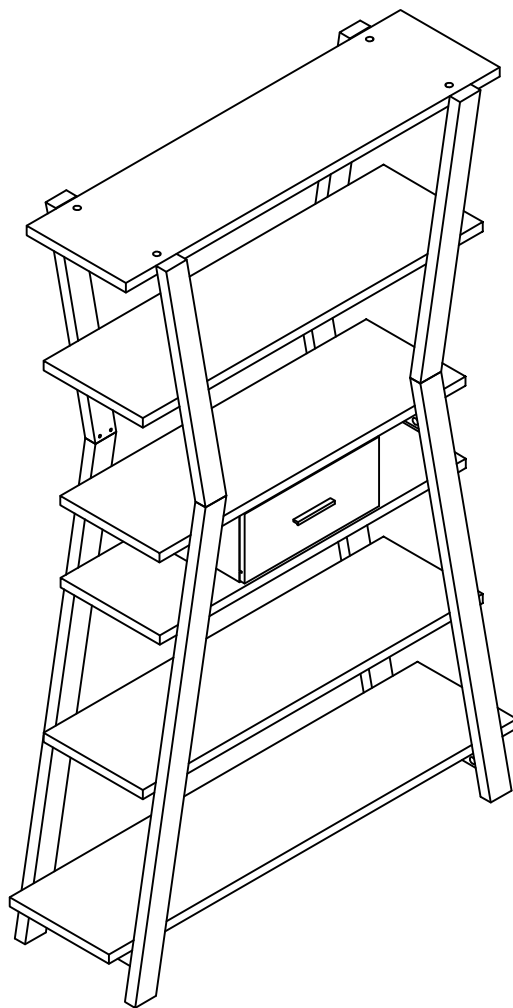


ASSEMBLY INSTRUCTION

ITEM#: 212874



ASSEMBLY INSTRUCTION

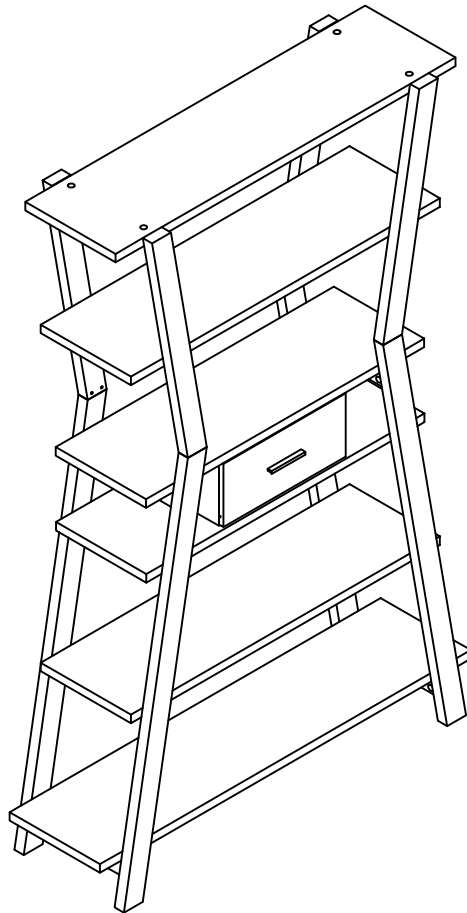
PLEASE READ BEFORE ASSEMBLING!

Tip #1: Make sure you've taken all the pieces and hardware out of its packaging before discarding the box. Assembly on top of flattened box/blanket is recommended.

Tip #2: Using page 2 and/or page 3 of instruction manual make sure all pieces and hardware are accounted for.

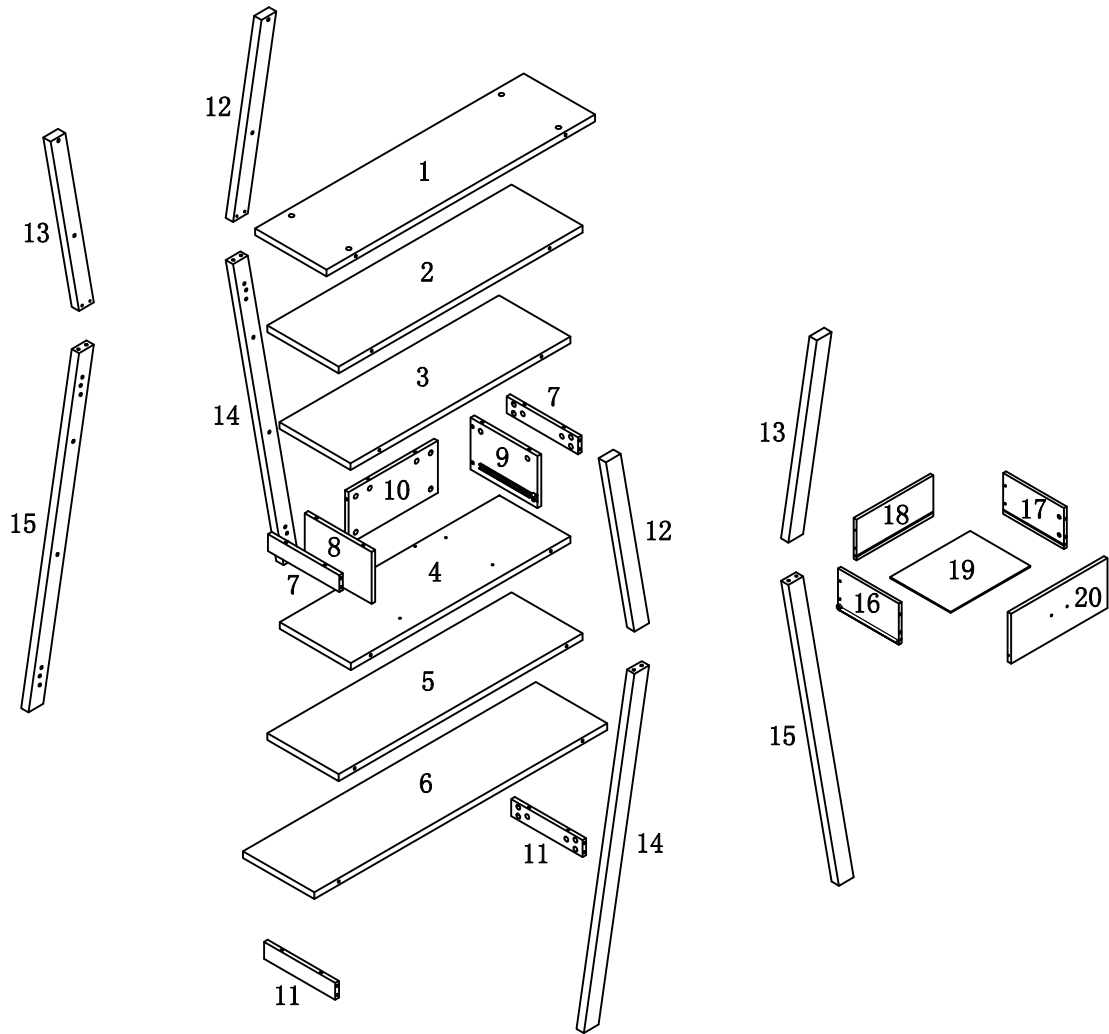
Tip #3: Note position of all holes on each panel during assembly.

ITEM#: 212874



PARTS IDENTIFICATION

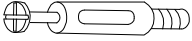

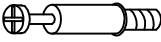

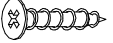
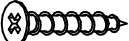
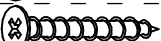
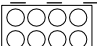





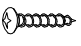
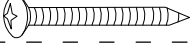


ITEM#: 212874



(1)	1pc	(8)	1pc	(15)	2pcs
(2)	1pc	(9)	1pc	(16)	1pc
(3)	1pc	(10)	1pc	(17)	1pc
(4)	1pc	(11)	2pcs	(18)	1pc
(5)	1pc	(12)	2pcs	(19)	1pc
(6)	1pc	(13)	2pcs	(20)	1pc
(7)	2pcs	(14)	2pcs		

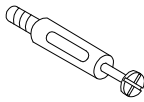

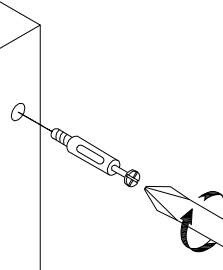
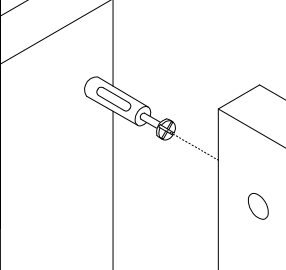
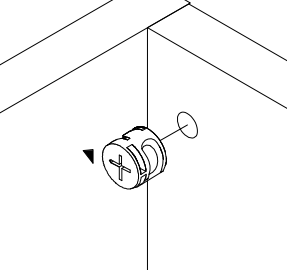
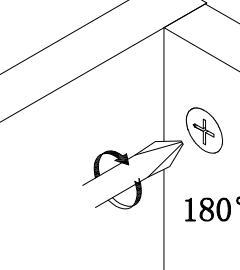
HARDWARE IDENTIFICATION

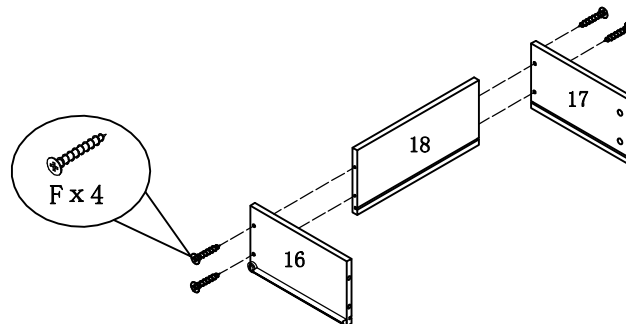
ITEM#: 212874

A		L29	58pcs
B		ø15	58pcs
C		L20	4pcs
D		ø12	4pcs
E		ø4x20	8pcs
F		ø4x30	4pcs
G		ø4x45	6pcs
H		ø15	14pcs
I		ø22	40pcs
J		ø16	4pcs
K			1pc
L		M4x22	2pcs
M		197×5×1	1pc
N		ø4x25	1pc
O		ø5x40	1pc
P		ø8 x 40	1pc
Q		12×12×1	2pcs

ASSEMBLY INSTRUCTION

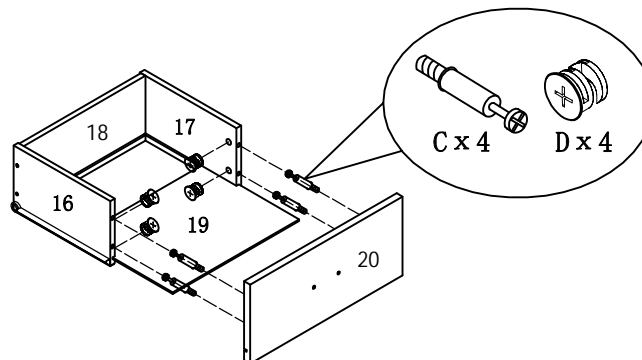
ITEM#: 212874

HOW TO	1	2	3	4
 Cam Bolt  Cam Lock				
	1. Screw Cam Bolt into panel.	2. Insert Cam Bolt into bolt hole of joining panel.	3. Insert Cam Lock. arrow facing bolt.	4. Gently turn Cam Lock clockwise to lock position.



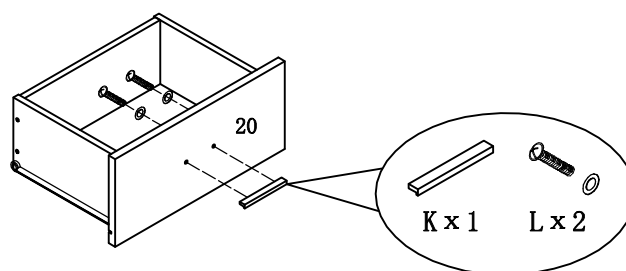
STEP 1

STEP 2



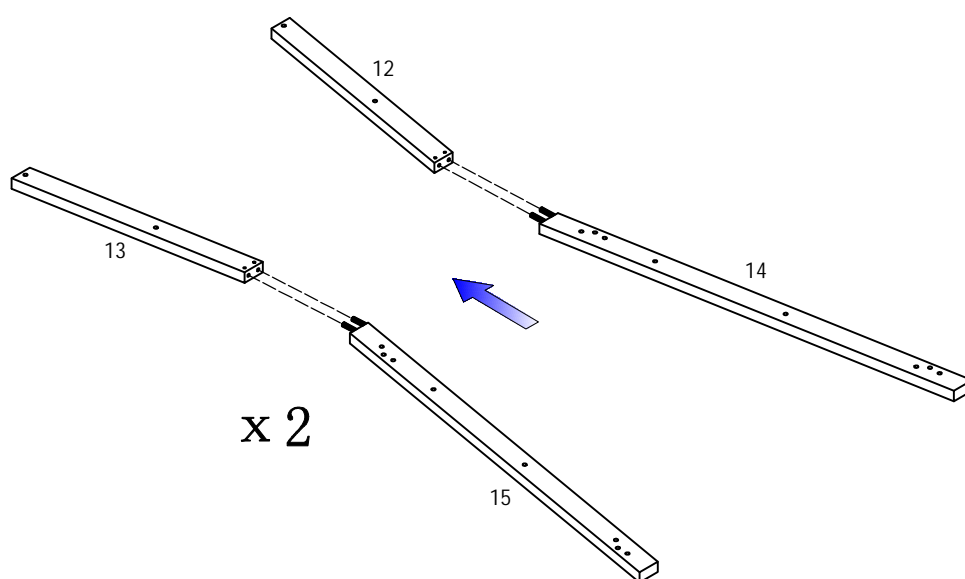
ASSEMBLY INSTRUCTION

ITEM#: 212874



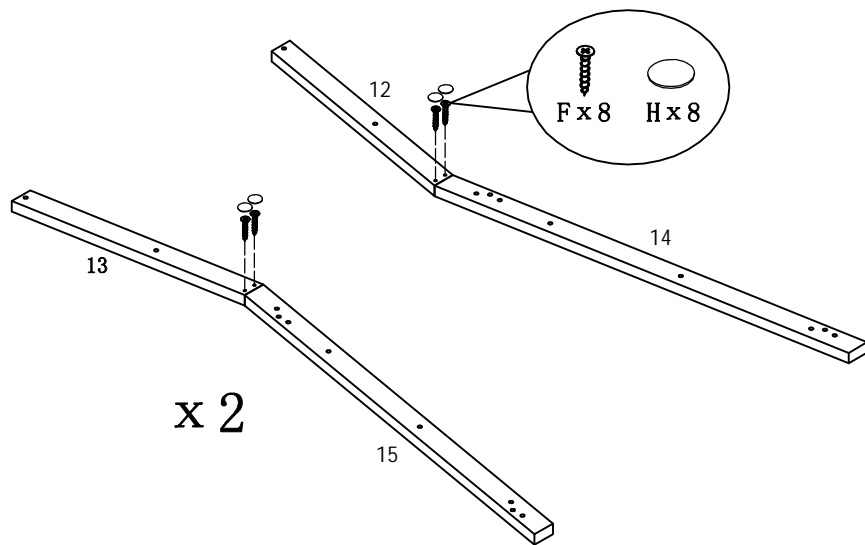
STEP3

STEP4



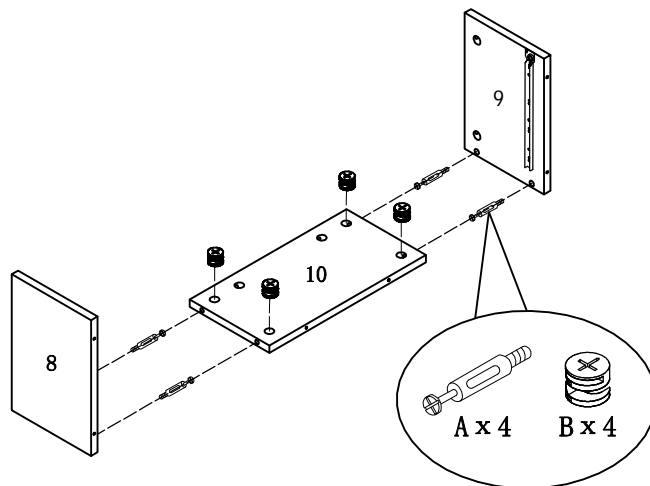
ASSEMBLY INSTRUCTION

ITEM#:212874



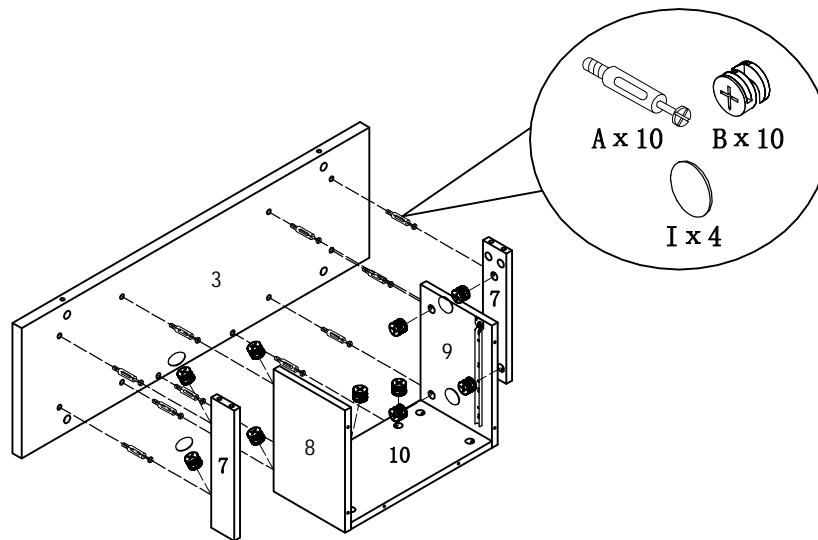
STEP5

STEP6



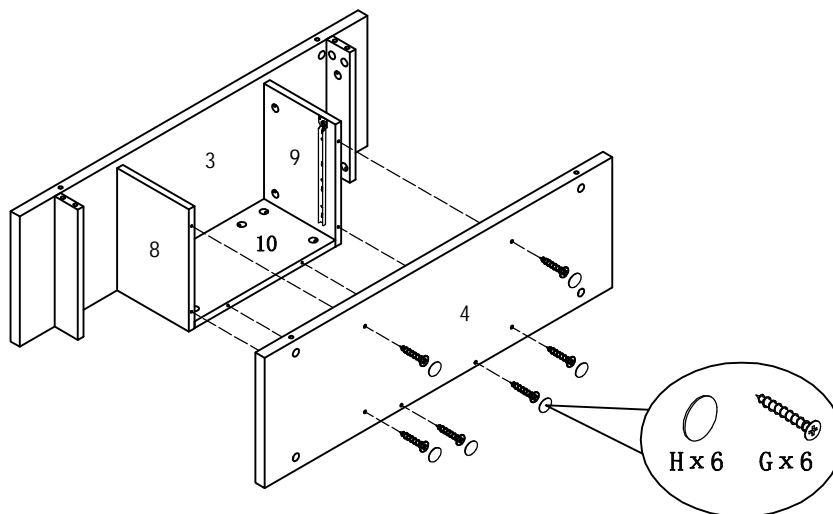
ASSEMBLY INSTRUCTION

ITEM#: 212874



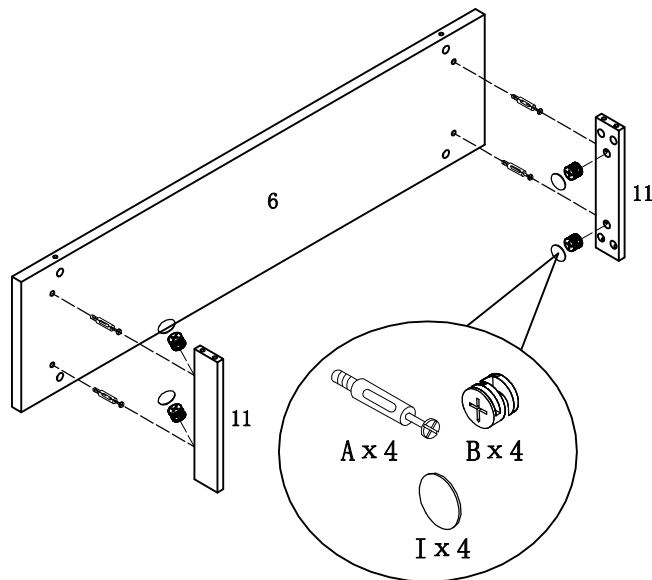
STEP 7

STEP 8



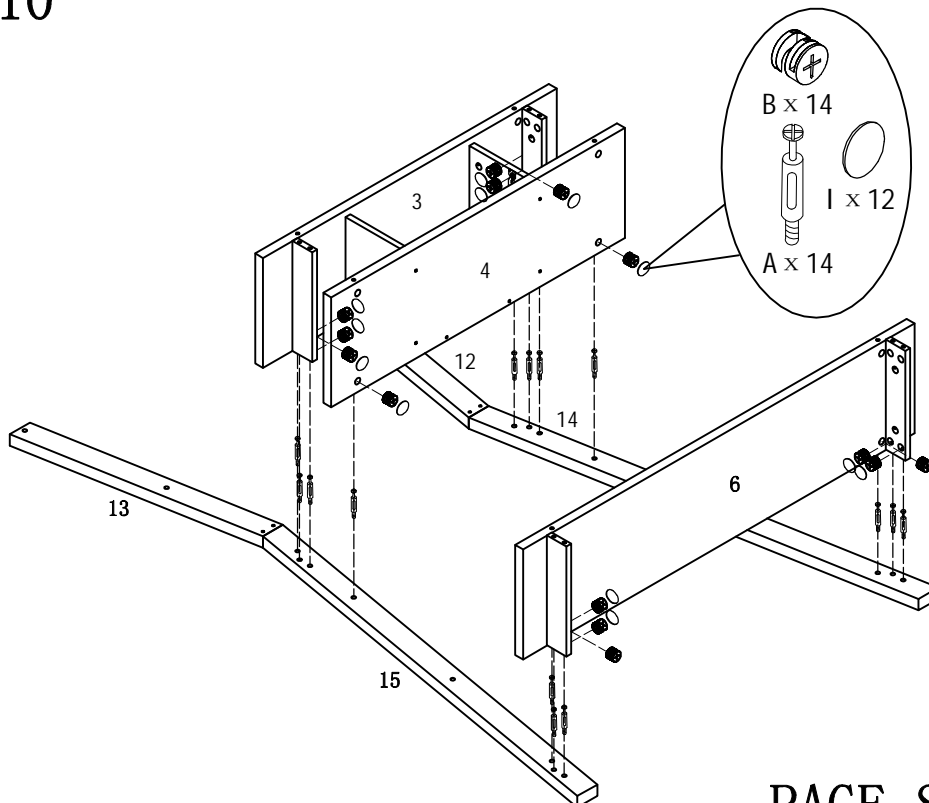
ASSEMBLY INSTRUCTION

ITEM#: 212874



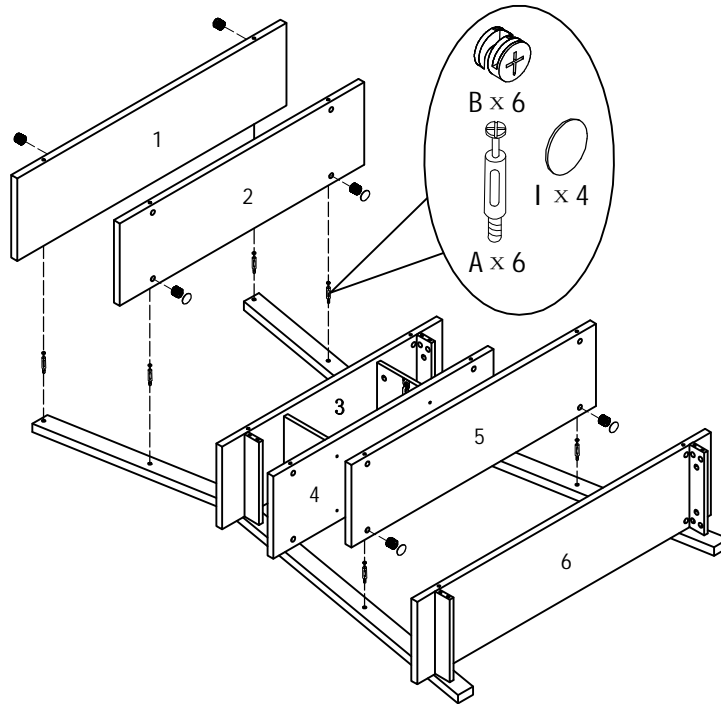
STEP9

STEP10



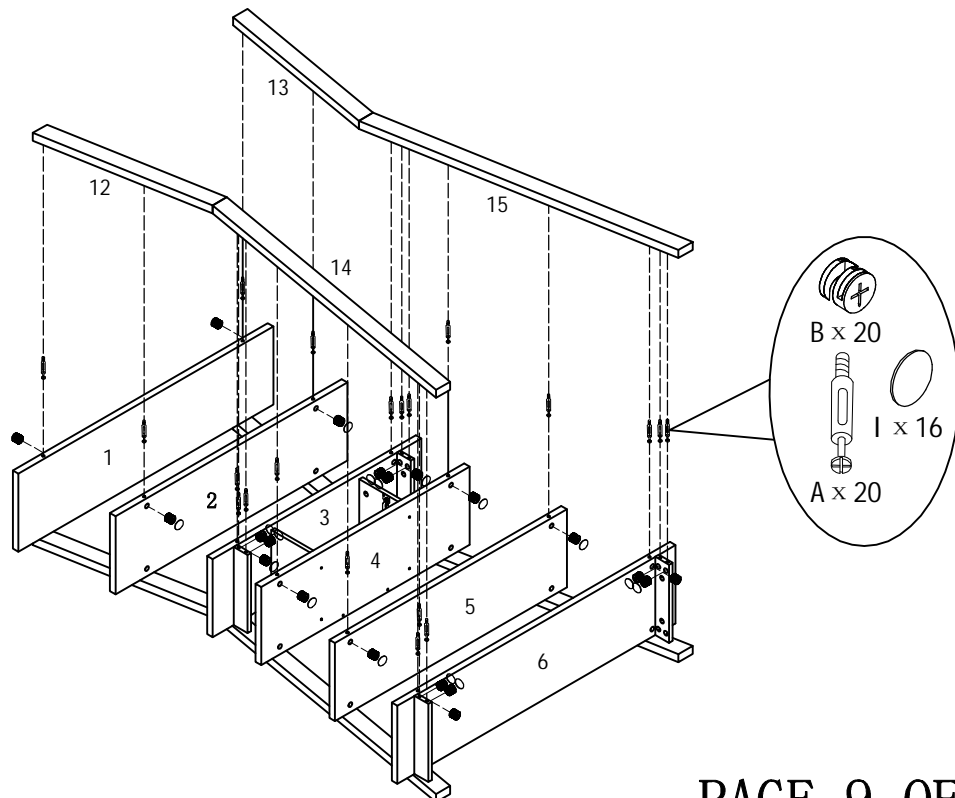
ASSEMBLY INSTRUCTION

ITEM#: 212874



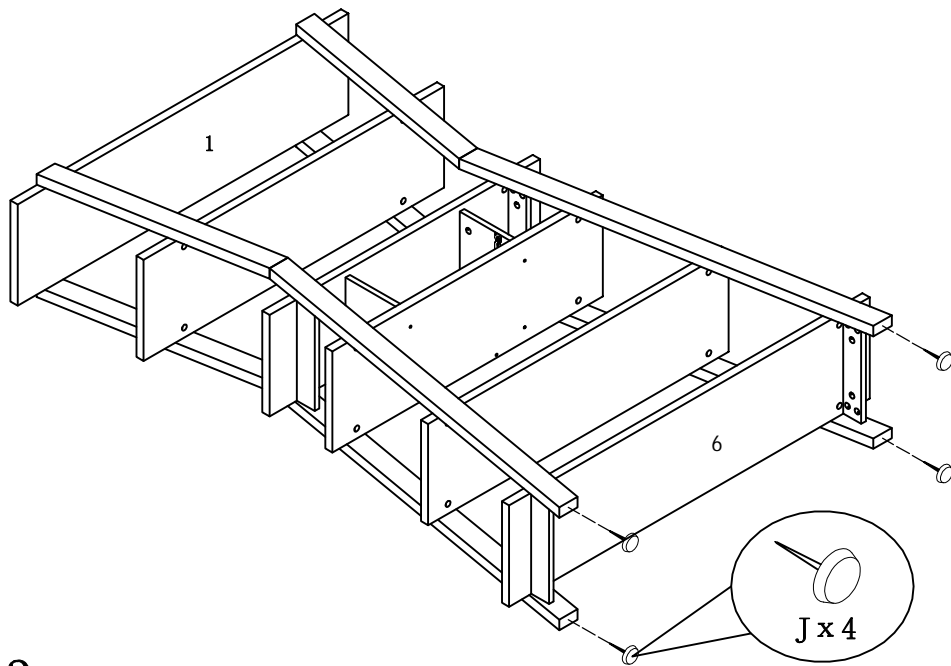
STEP 11

STEP 12



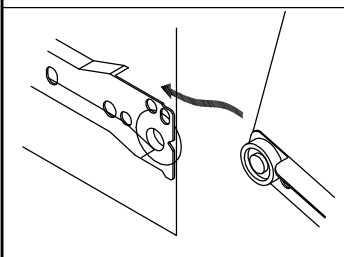
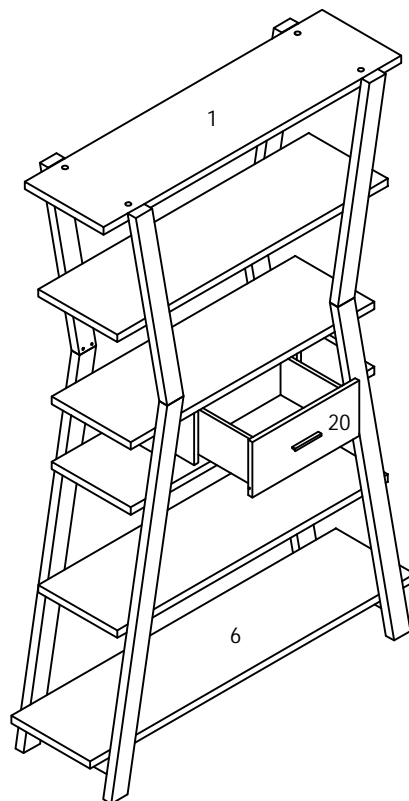
ASSEMBLY INSTRUCTION

ITEM#: 212874



STEP 13

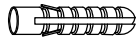
STEP 14



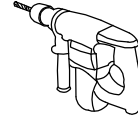
ANTI-TIPPING STRAP INSTRUCTION

HARDWARE (INCLUDED) :

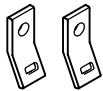
TOOLS NEEDED (NOT INCLUDED) :



DRYWALL ANCHOR $\phi 8 \times 40$ X 1PC



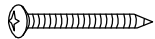
DRILL & DRILL BIT



METAL BRACKETS $12 \times 12 \times 1$ X 2PCS



LIGHT HAMMER



DRYWALL SCREW $\phi 5 \times 40$ X 1PC



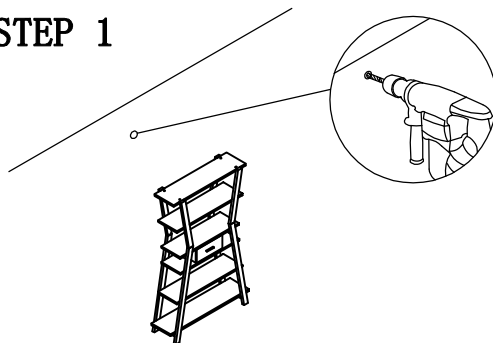
STRAP $197 \times 5 \times 1$ X 1PC



FLATHEAD SCREW $\phi 4 \times 25$ X 1PC

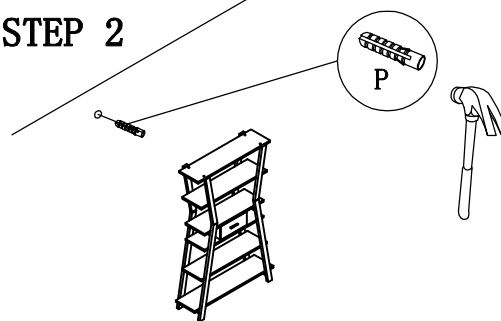
Note: Hardware included only compatible with standard drywalls.

STEP 1



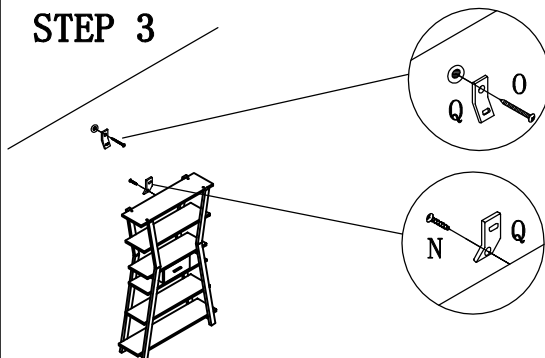
1. Find spot on wall 1" below top of item.
2. Using a drill bit slightly thinner than anchor, drill hole into drywall.

STEP 2



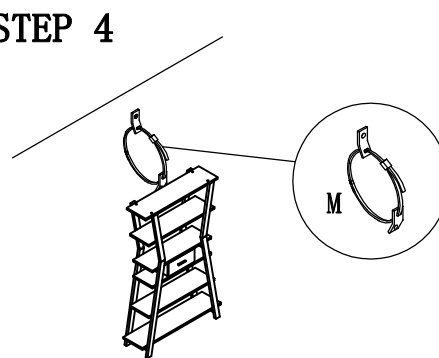
1. Use a light hammer to tap anchor into hole.
2. Anchor should fit snugly. If hole is too small, drill again to increase hole size. Do not force anchor into wall.

STEP 3



1. Insert drywall screw into metal bracket and into drywall anchor.
2. Insert flathead screw into second metal bracket and into back of item along top edge.

STEP 4



1. Insert strap thru bracket attached to wall, then thru bracket on item, and into head of strap.
 2. pull lightly til strap stops.
- Assembly is complete.