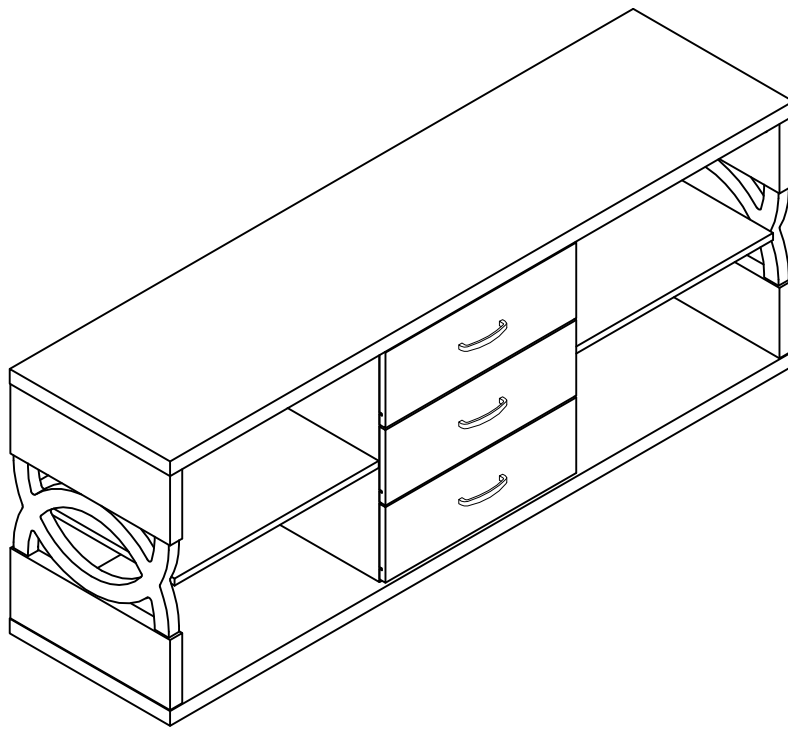


ASSEMBLY INSTRUCTION

ITEM#: 212922



ASSEMBLY INSTRUCTION

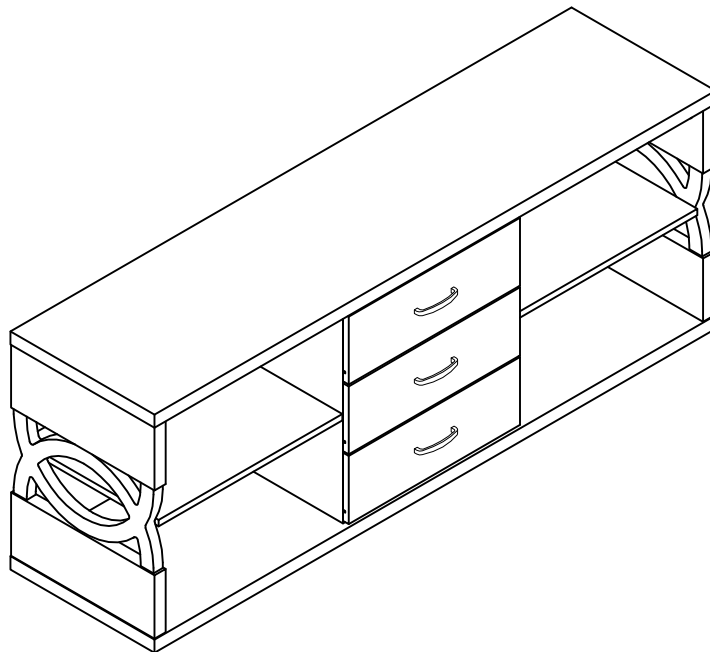
PLEASE READ BEFORE ASSEMBLING!

Tip #1: Make sure you've taken all the pieces and hardware out of its packaging before discarding the box.

Tip #2: Using page 2 and/or page 3 of instruction manual make sure all pieces and hardware are accounted for.

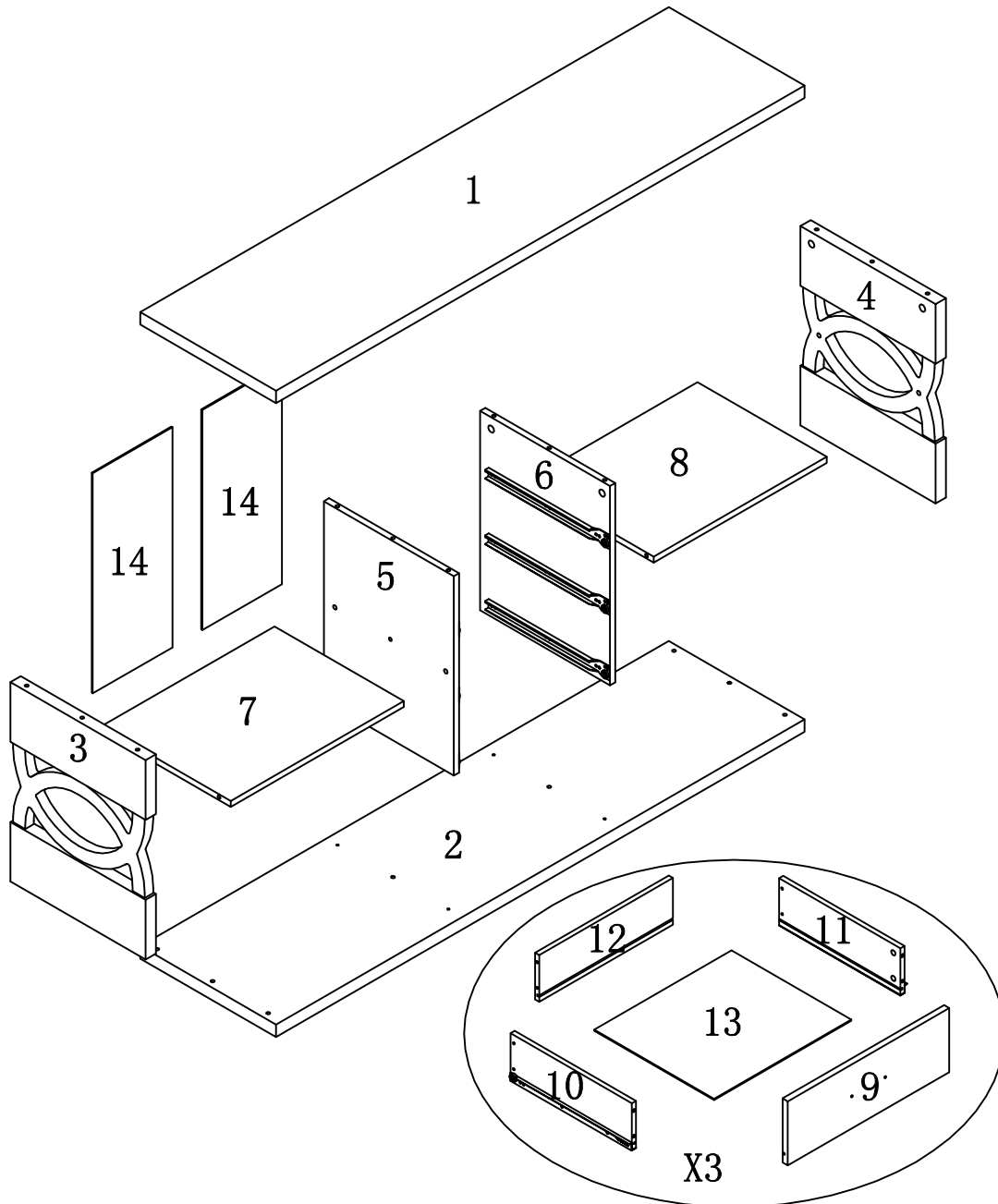
Tip #3: Read manual before assembling, it helps!

ITEM#: 212922



PARTS IDENTIFICATION

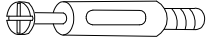


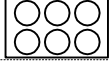
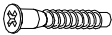

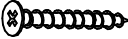


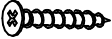
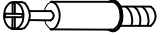



ITEM#: 212922



(1)	1pc	(7)	1pc	(13)	3pcs
(2)	1pc	(8)	1pc	(14)	2pcs
(3)	1pc	(9)	3pcs		
(4)	1pc	(10)	3pcs		
(5)	1pc	(11)	3pcs		
(6)	1pc	(12)	3pcs		

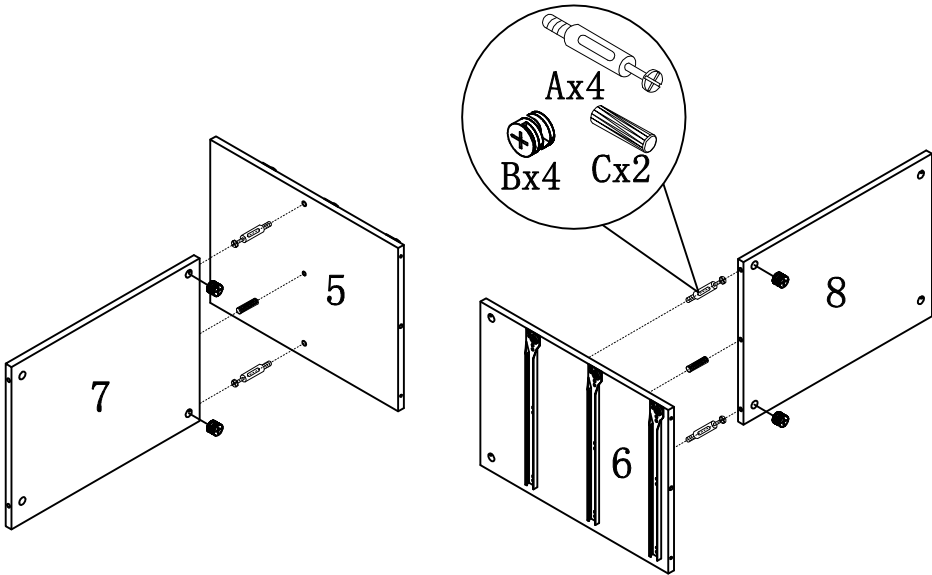
HARDWARE IDENTIFICATION

ITEM#: 212922

A		L29	16pcs
B		Ø15	16pcs
C		Ø8x25	10pcs
D		Ø22	4pcs
E		M7x58	4pcs
F		Ø8xØ16x2	4pcs
G		Ø4x50	4pcs
H		Ø16	6pcs
I			18pcs
J		Ø4x30	12pcs
K		L29	12pcs
L		Ø15	12pcs
M		96#	3pcs
N		Ø4x22	6pcs

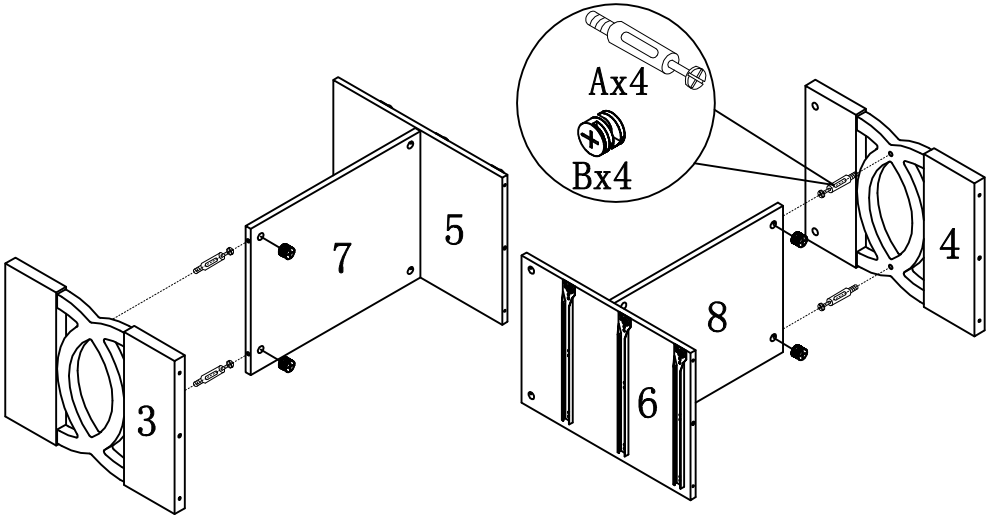
ASSEMBLY INSTRUCTION

ITEM#: 212922



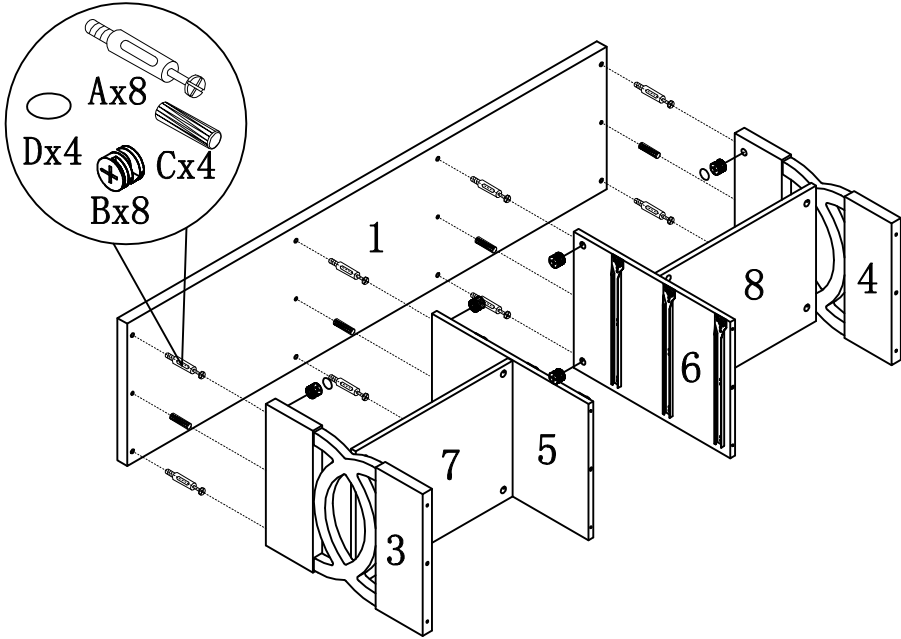
STEP 1

STEP 2



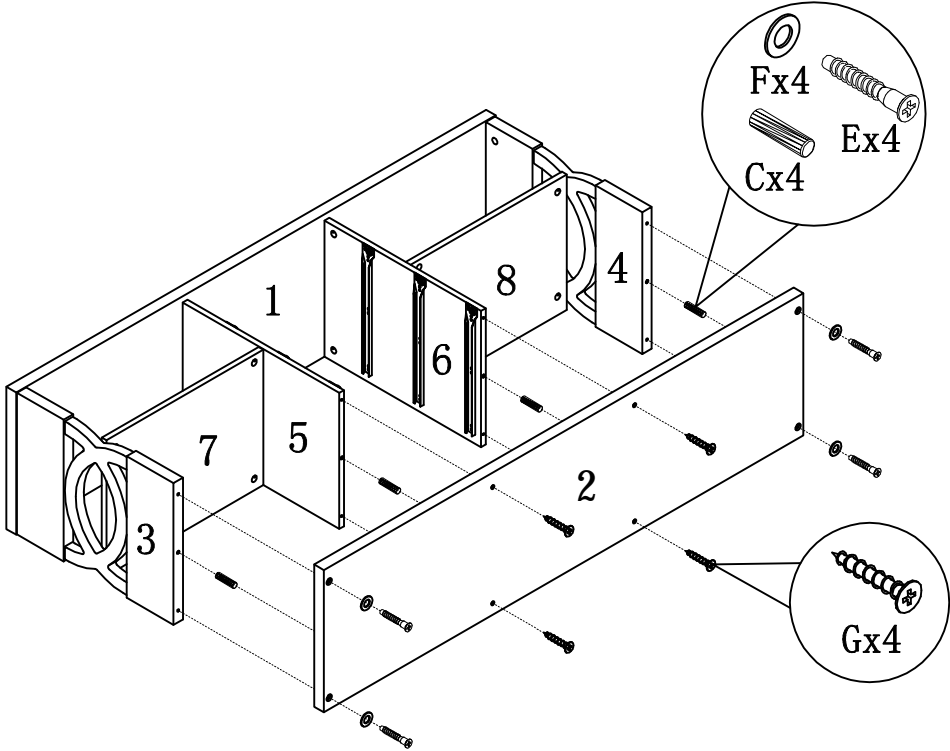
ASSEMBLY INSTRUCTION

ITEM#: 212922



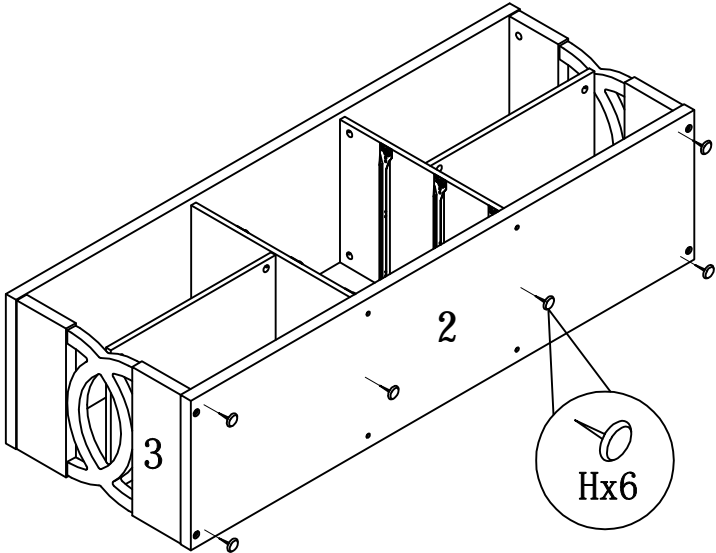
STEP3

STEP4



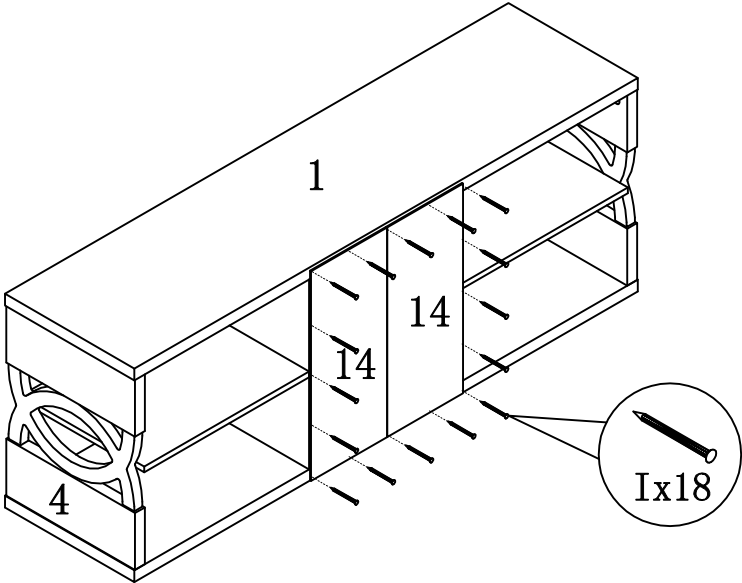
ASSEMBLY INSTRUCTION

ITEM#: 212922



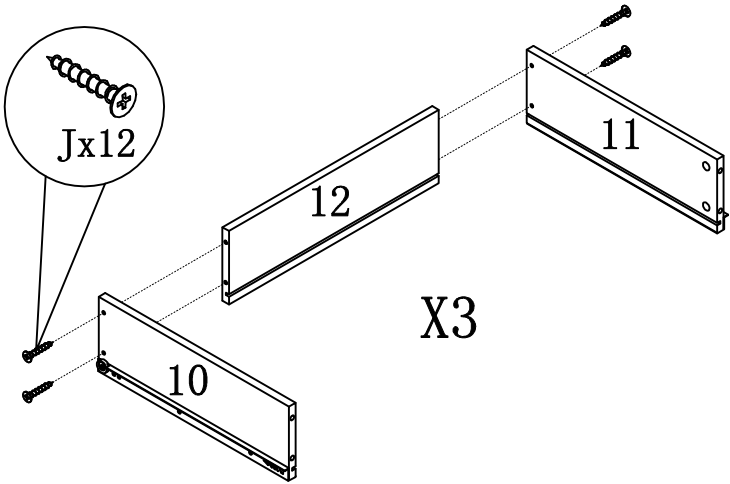
STEP5

STEP6



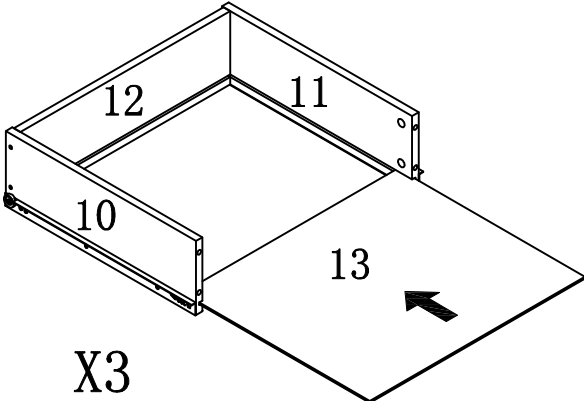
ASSEMBLY INSTRUCTION

ITEM#: 212922



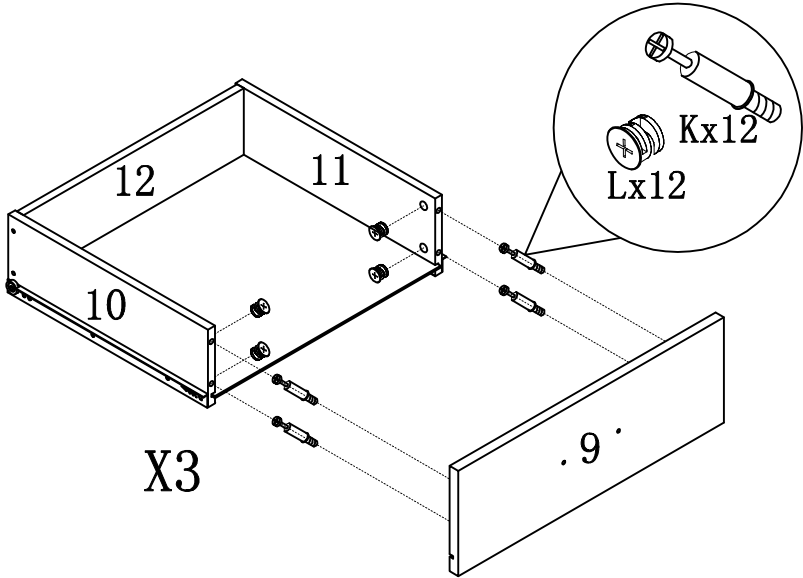
STEP7

STEP8



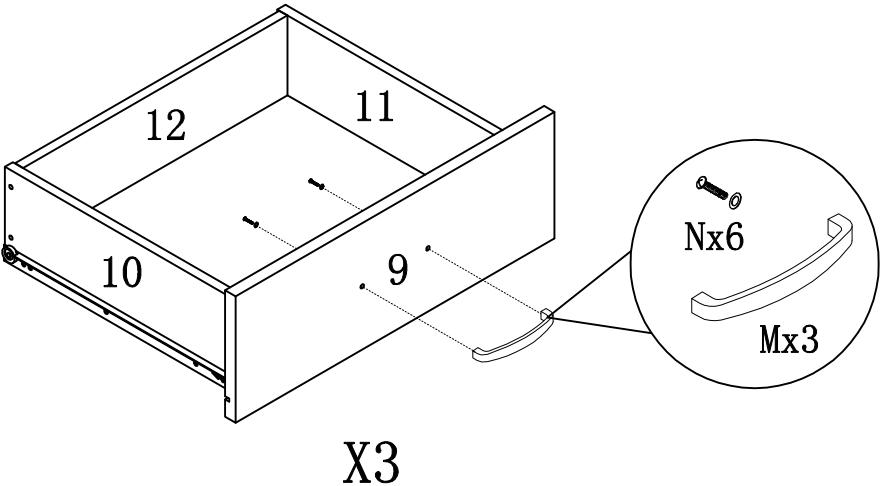
ASSEMBLY INSTRUCTION

ITEM#: 212922



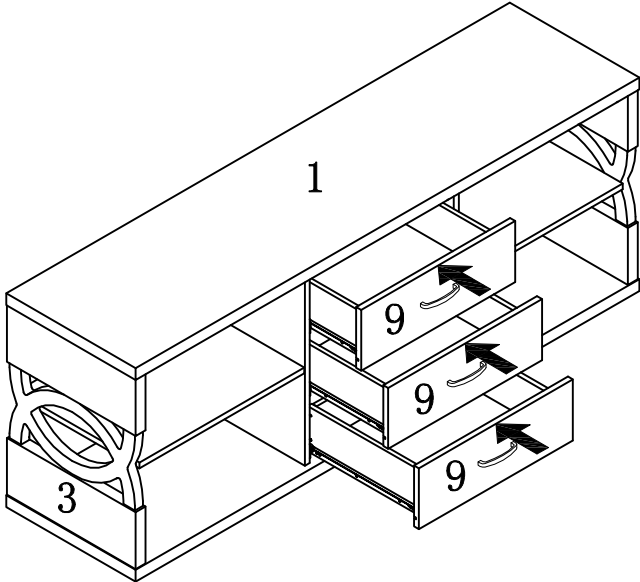
STEP9

STEP10

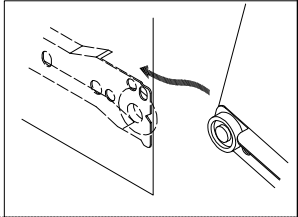


ASSEMBLY INSTRUCTION

ITEM#: 212922



STEP 11



STEP 12

