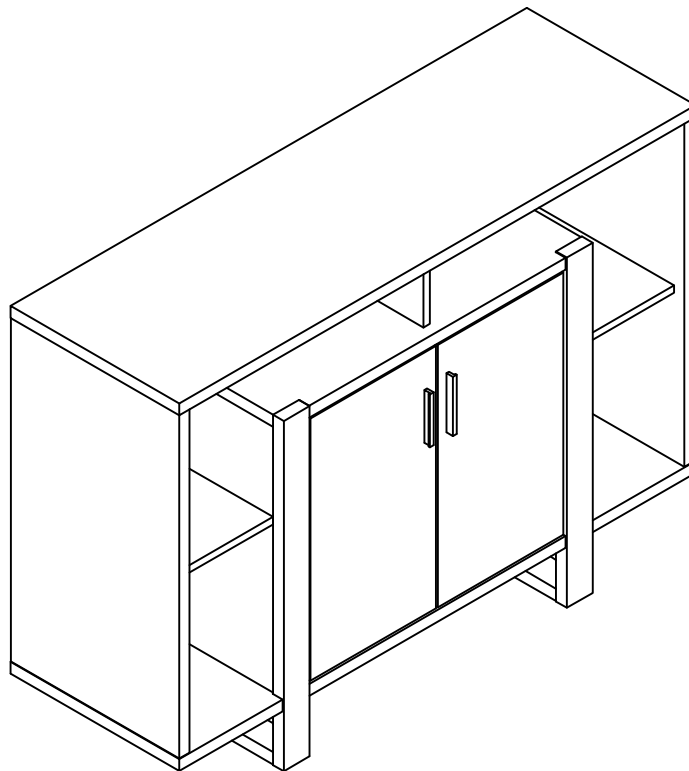


# ASSEMBLY INSTRUCTION

---

ITEM#: 212926



# ASSEMBLY INSTRUCTION

---

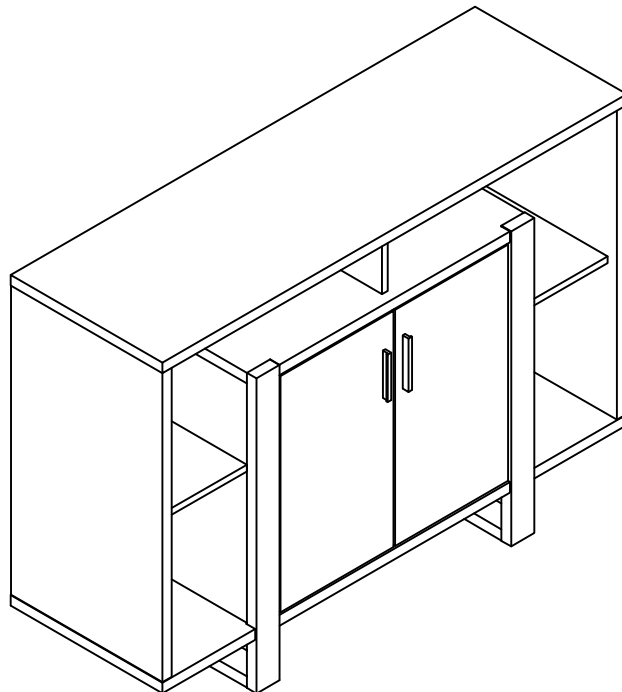
## PLEASE READ BEFORE ASSEMBLING!

Tip #1: Make sure you've taken all the pieces and hardware out of its packaging before discarding the box.

Tip #2: Using page 2 and/or page 3 of instruction manual make sure all pieces and hardware are accounted for.

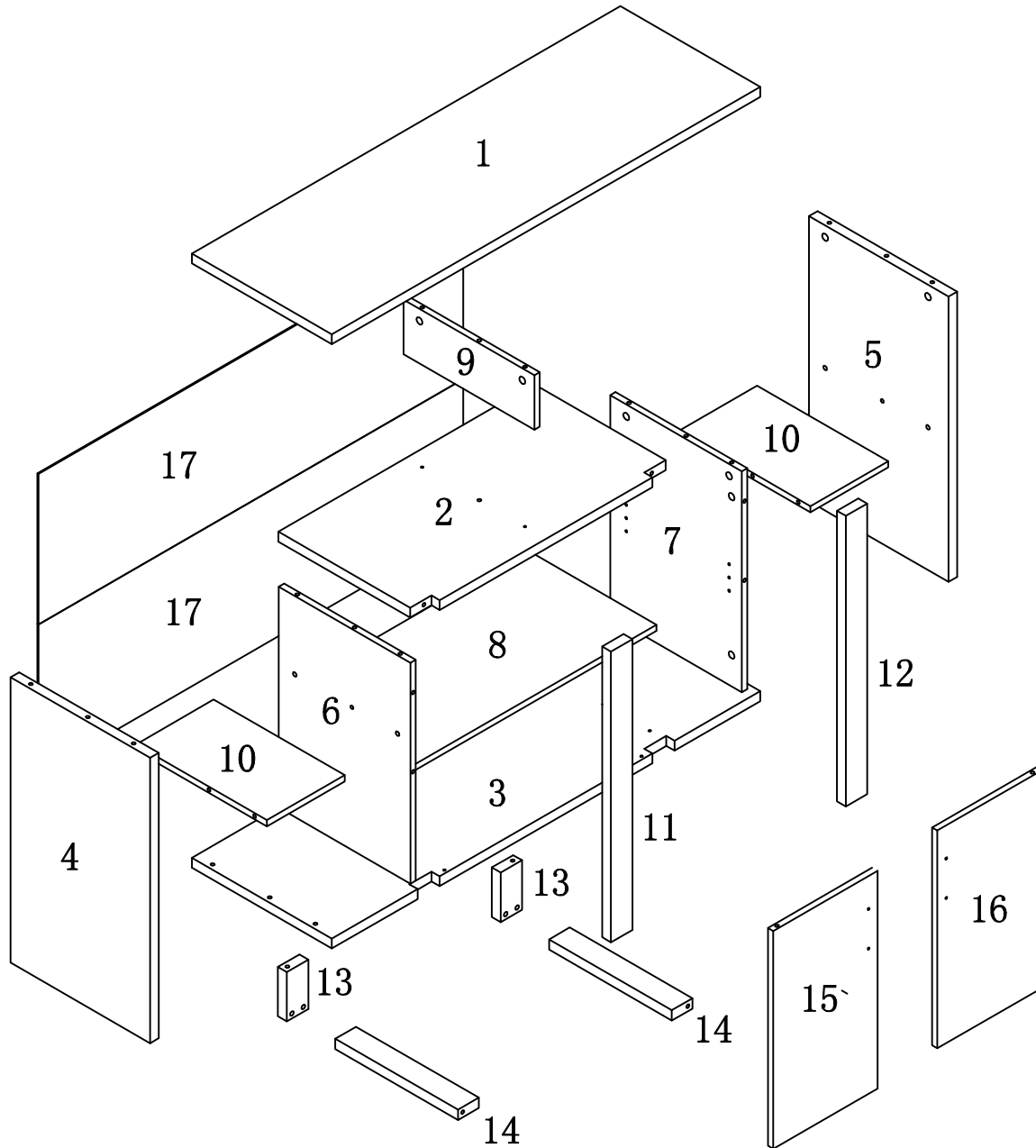
Tip #3: Read manual before assembling, it helps!

ITEM#: 212926



# PARTS IDENTIFICATION



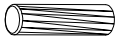
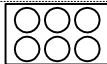
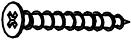
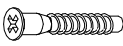



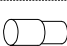
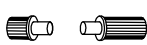
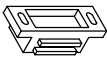

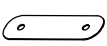
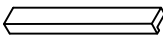



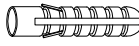

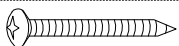
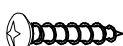
ITEM#:212926



(1)	1pc	(7)	1pc	(13)	2pcs
(2)	1pc	(8)	1pc	(14)	2pcs
(3)	1pc	(9)	1pc	(15)	1pc
(4)	1pc	(10)	2pcs	(16)	1pc
(5)	1pc	(11)	1pc	(17)	2pcs
(6)	1pc	(12)	1pc		

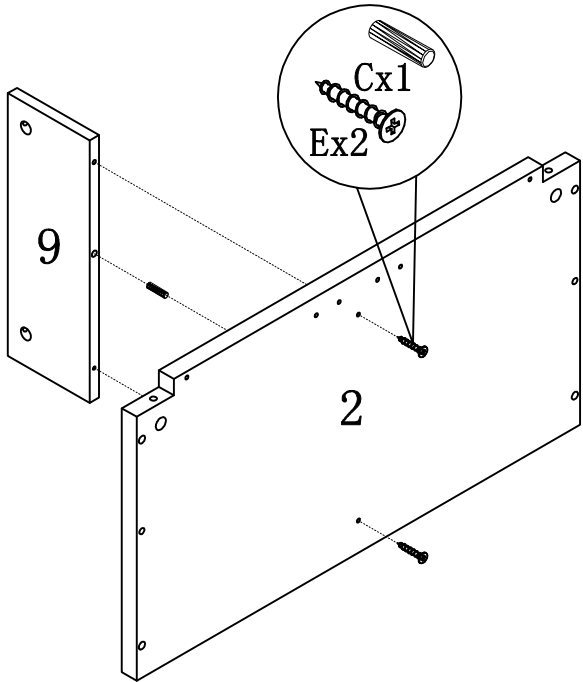
# HARDWARE IDENTIFICATION

ITEM#: 212926

A		L29	36pcs
B		Ø15	36pcs
C		Ø8x25	16pcs
D		Ø22	14pcs
E		Ø4x50	6pcs
F		Ø7x48	4pcs
G		Ø8xØ16x2	4pcs
H		Ø3x12	4pcs
I			45pcs
J		Ø5x15	4pcs
K			2pcs
L			2pcs
M		Ø4x16	4pcs
N			2pcs
O		96#	2pcs
P		Ø4x22	4pcs
Q		Ø16	4pcs
R		197x5x1	1pc
S		Ø8x40	1pc
T		12x12x1	2pc
U		Ø5x40	1pc
V		Ø4x25	1pc

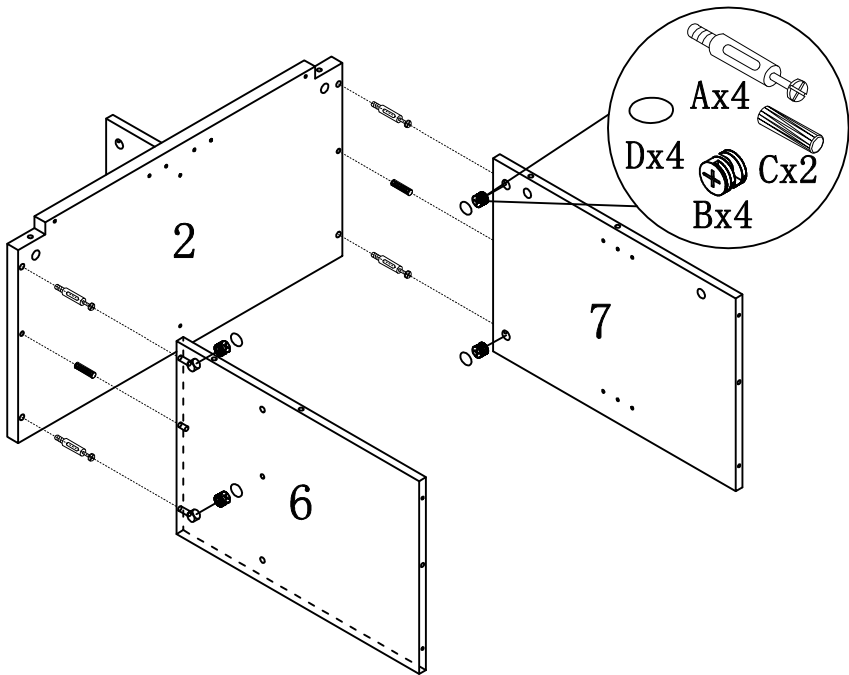
# ASSEMBLY INSTRUCTION

ITEM#: 212926



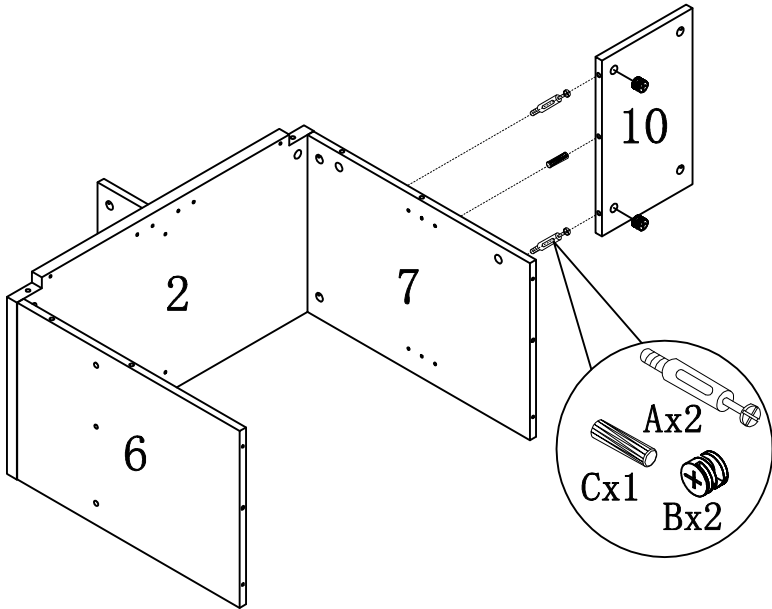
STEP 1

STEP 2



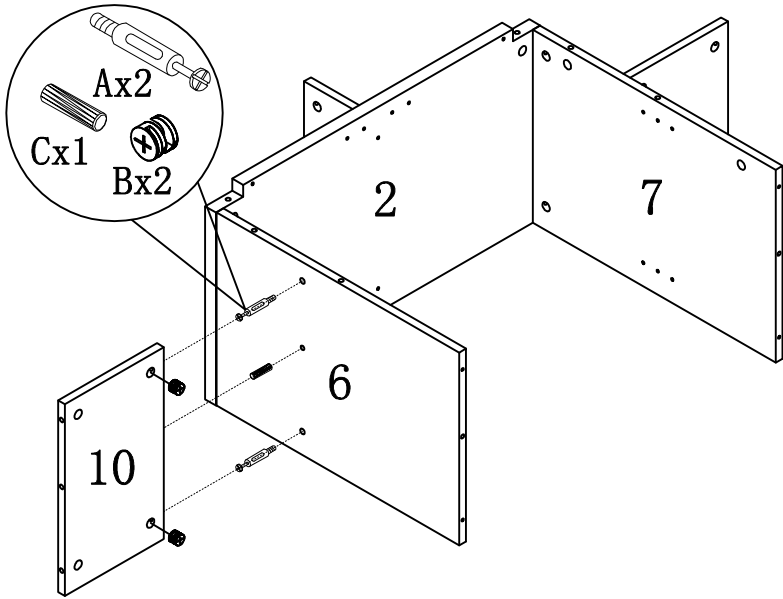
# ASSEMBLY INSTRUCTION

ITEM#: 212926



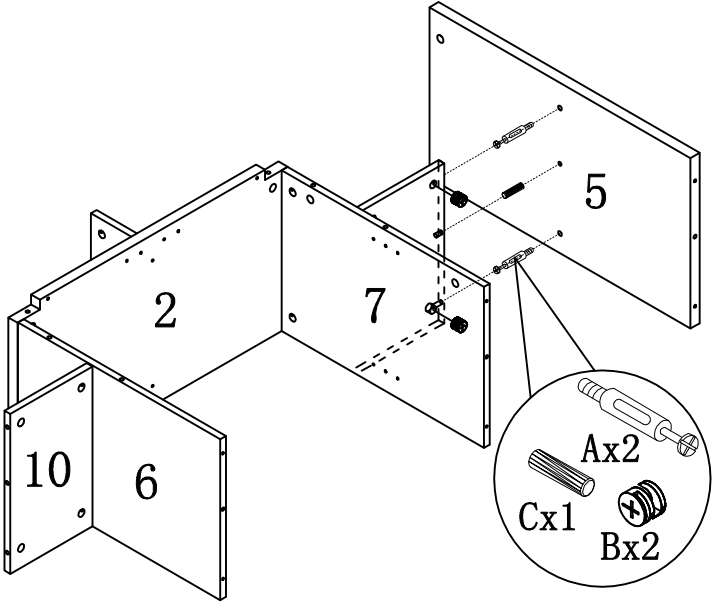
STEP3

STEP4



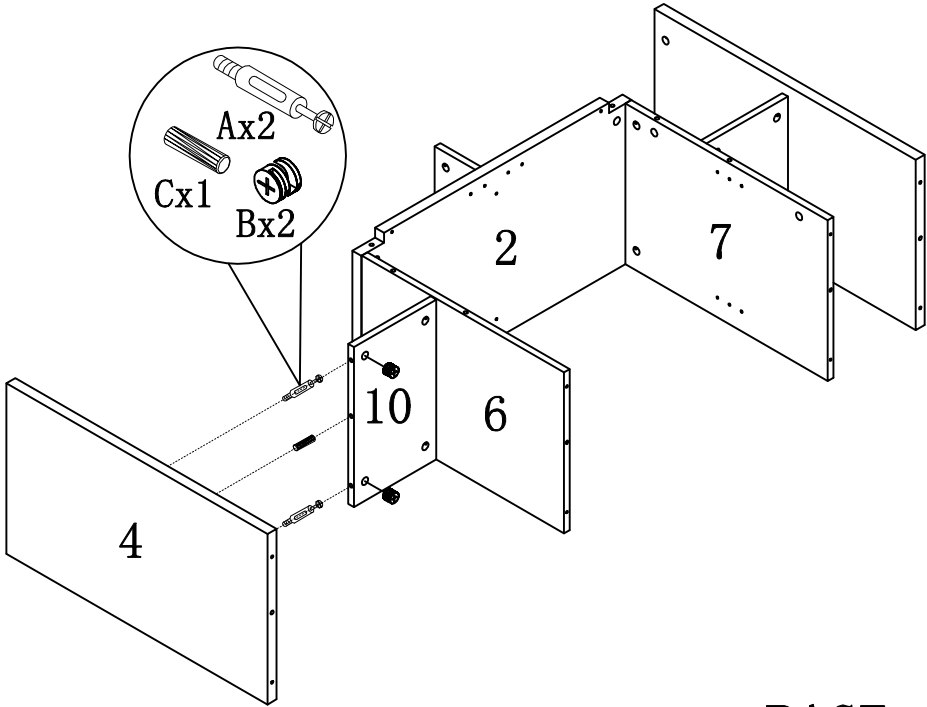
# ASSEMBLY INSTRUCTION

ITEM#: 212926



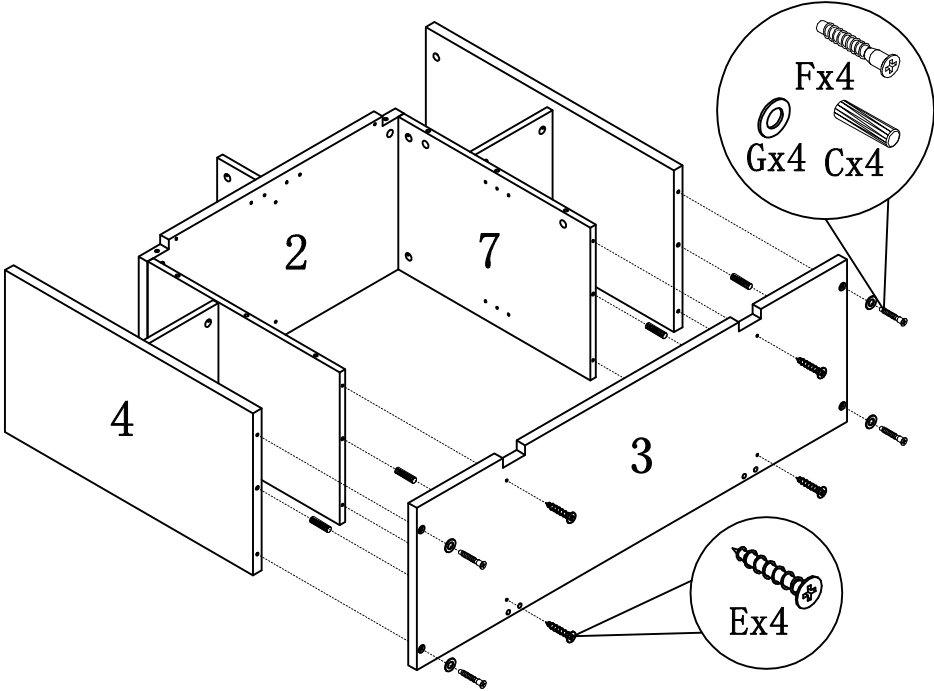
STEP5

STEP6



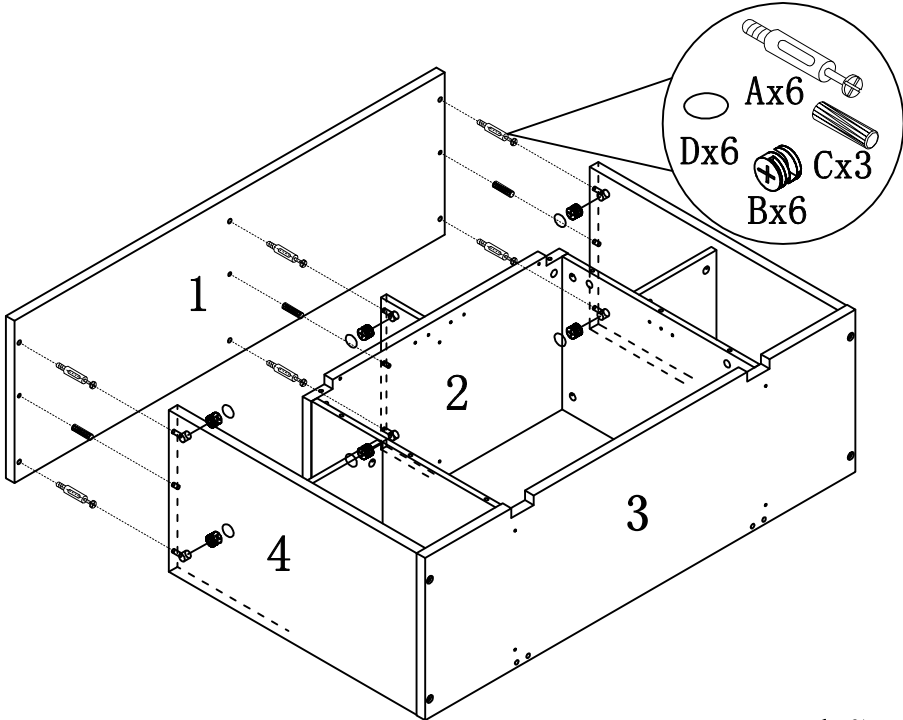
# ASSEMBLY INSTRUCTION

ITEM#: 212926



STEP7

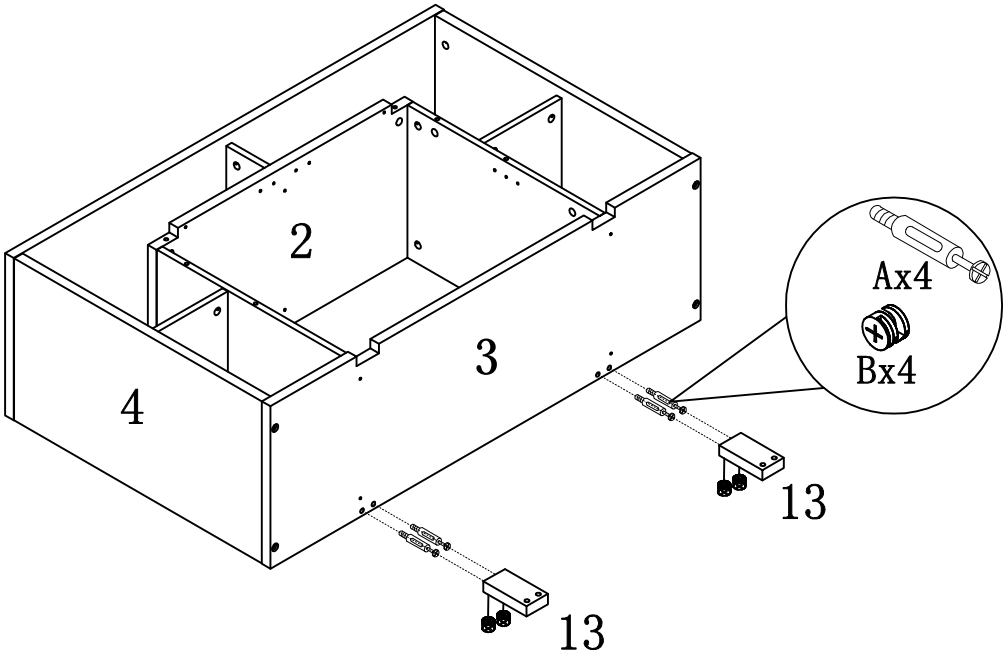
STEP8





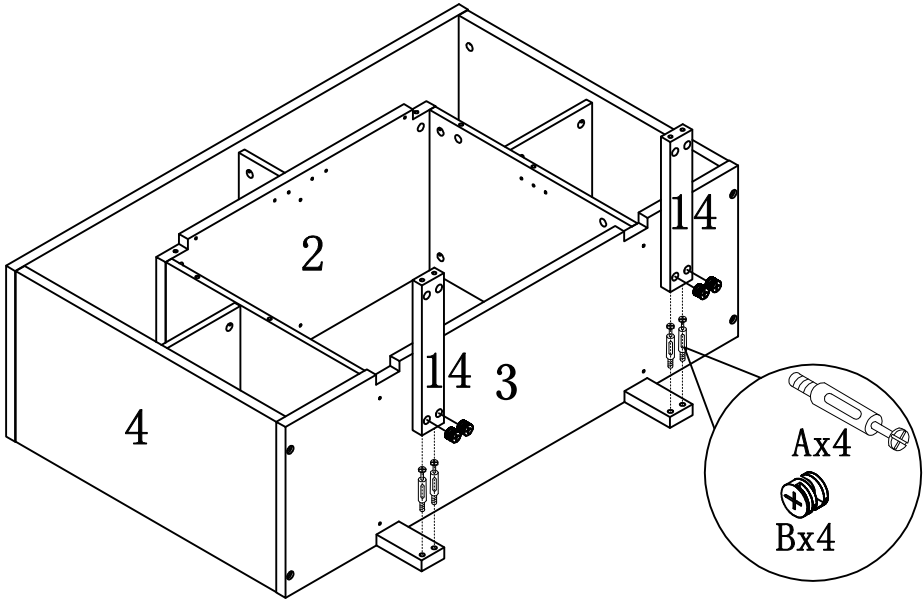
# ASSEMBLY INSTRUCTION

ITEM#: 212926



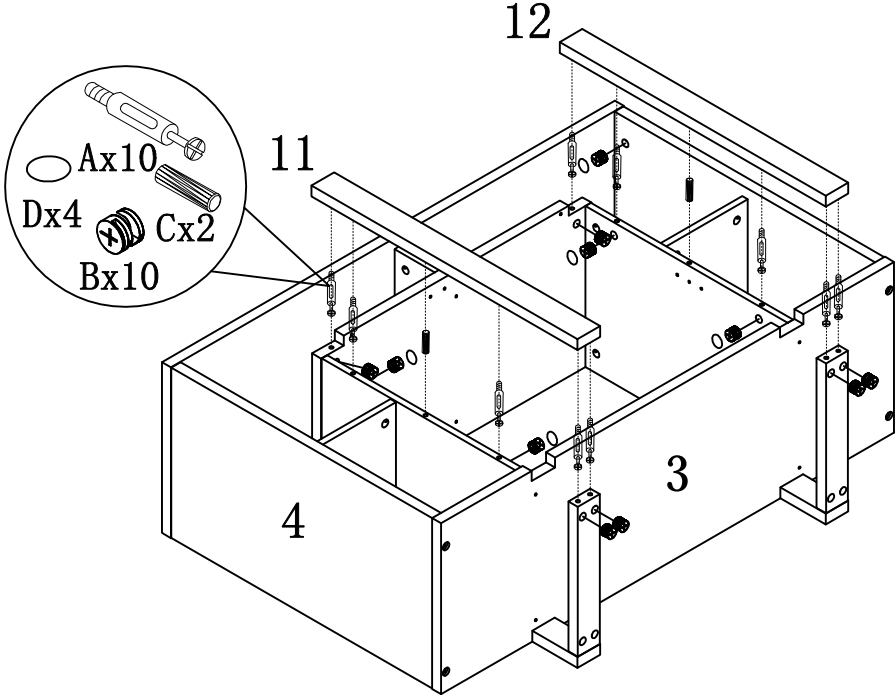
STEP9

STEP10



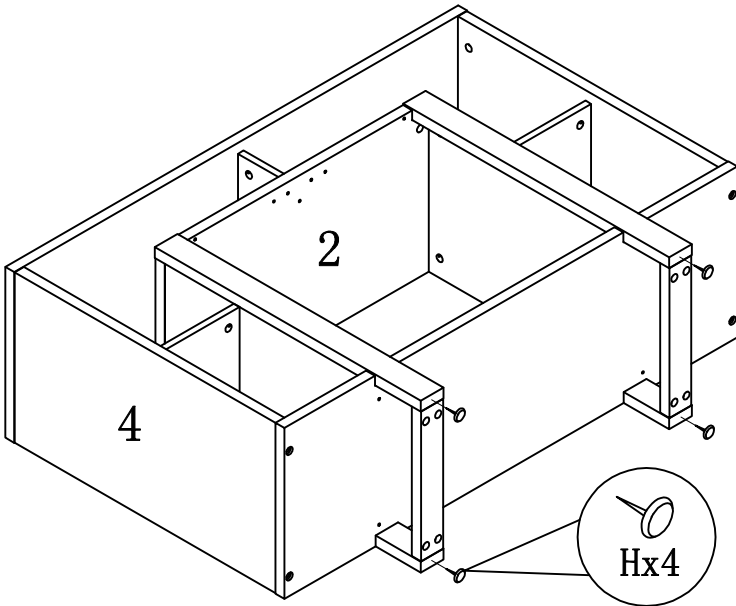
# ASSEMBLY INSTRUCTION

ITEM#: 212926



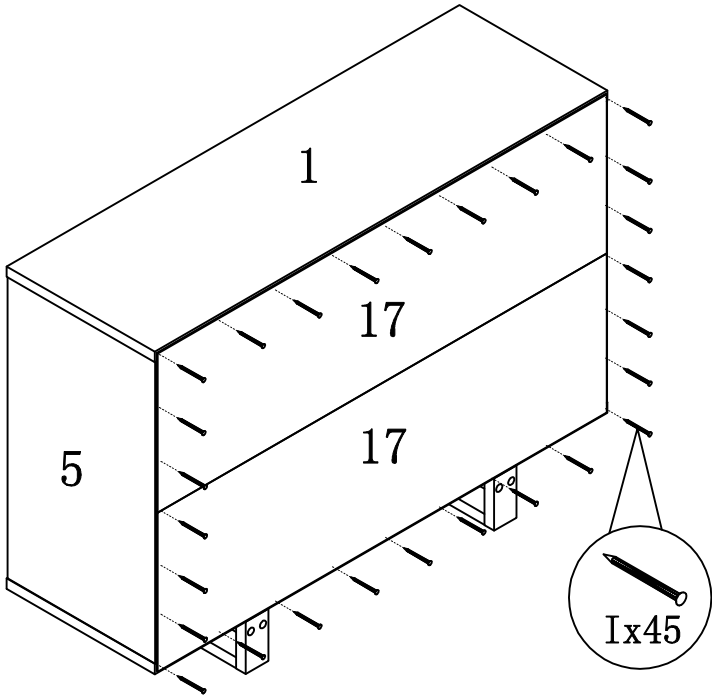
STEP 11

STEP 12



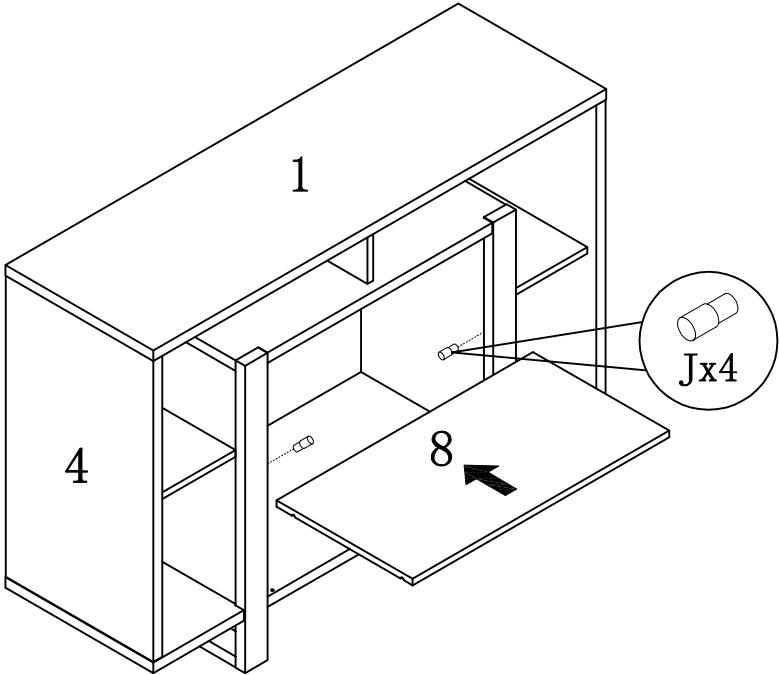
# ASSEMBLY INSTRUCTION

ITEM#: 212926



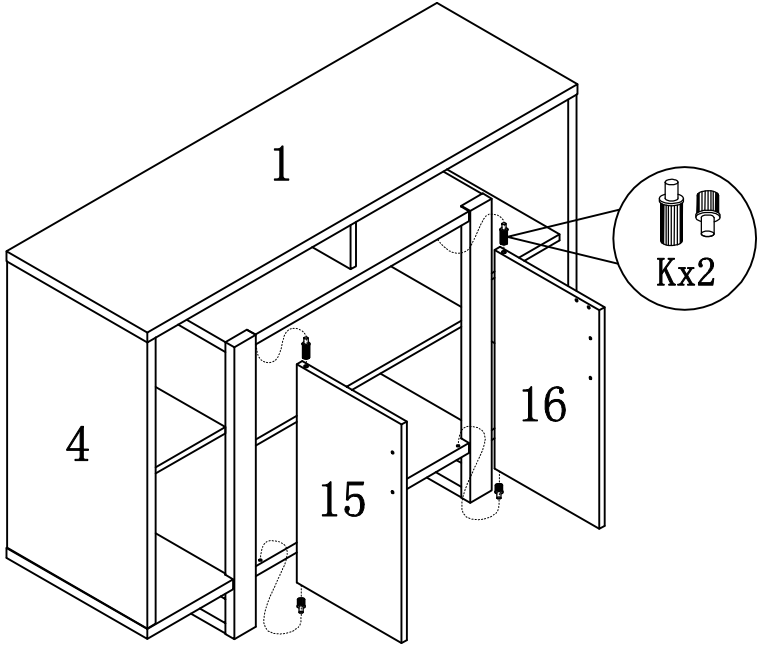
STEP 13

STEP 14



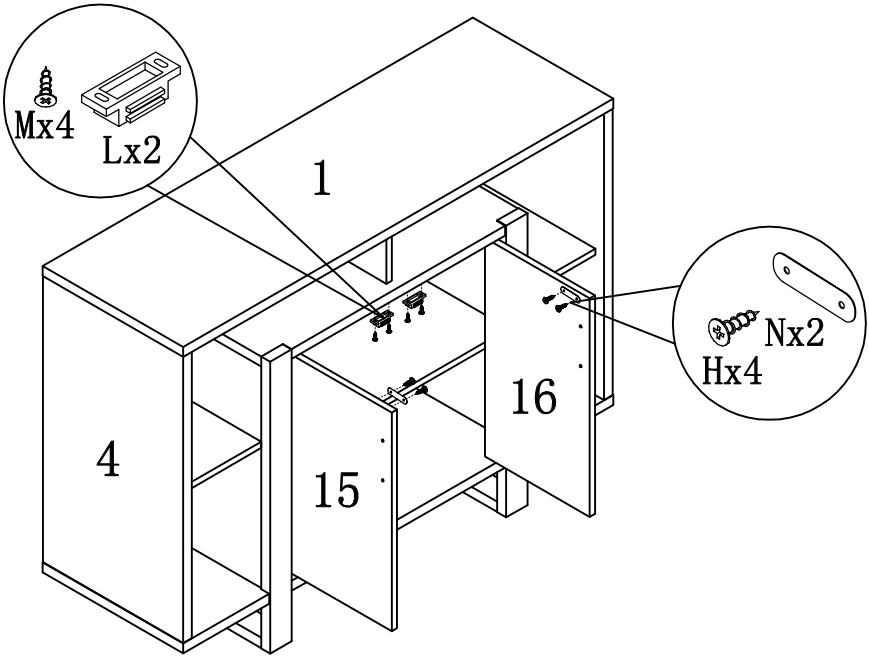
# ASSEMBLY INSTRUCTION

ITEM#: 212926



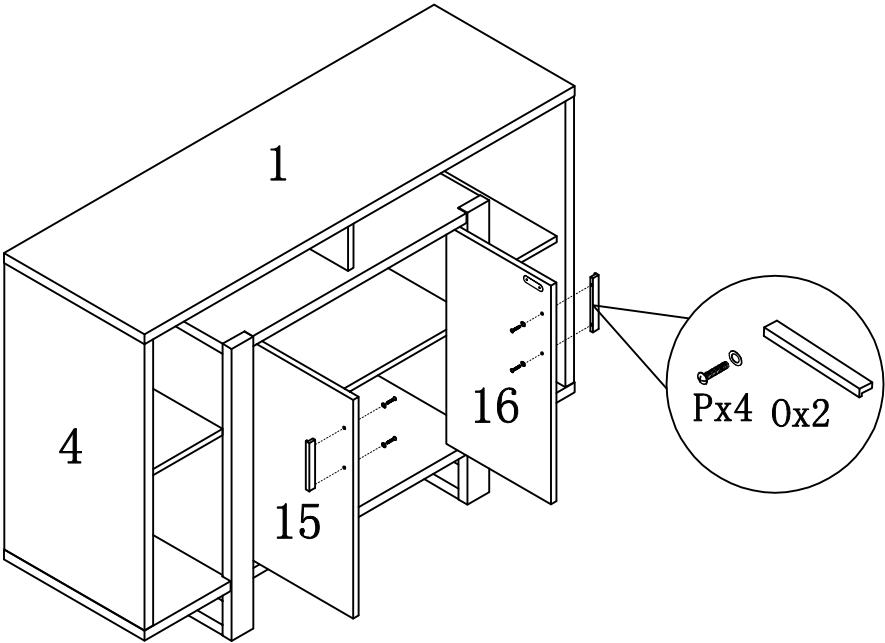
STEP 15

STEP 16



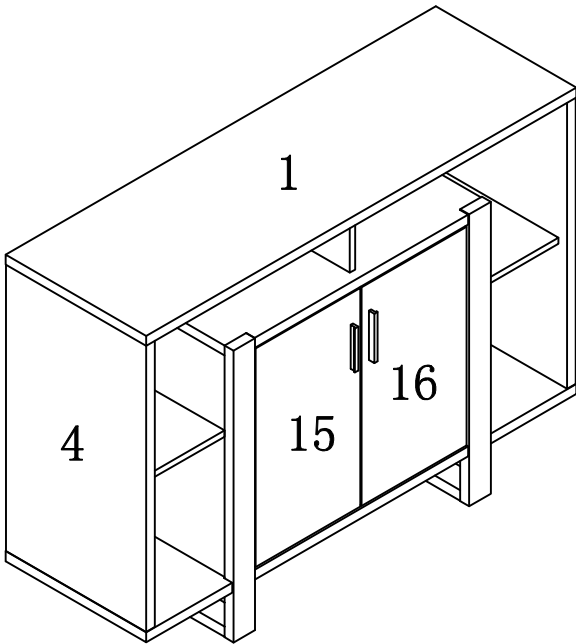
# ASSEMBLY INSTRUCTION

ITEM#: 212926



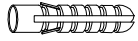
STEP17

STEP18

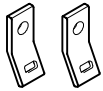


# ANTI-TIPPING STRAP INSTRUCTION

## HARDWARE (INCLUDED) :



DRYWALL ANCHOR  $\phi 8 \times 40$  X 1PC



METAL BRACKETS  $12 \times 12 \times 1$  X 2PCS



DRYWALL SCREW  $\phi 5 \times 40$  X 1PC

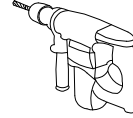


STRAP  $197 \times 5 \times 1$  X 1PC



FLATHEAD SCREW  $\phi 4 \times 25$  X 1PC

## TOOLS NEEDED ( NOT INCLUDED) :



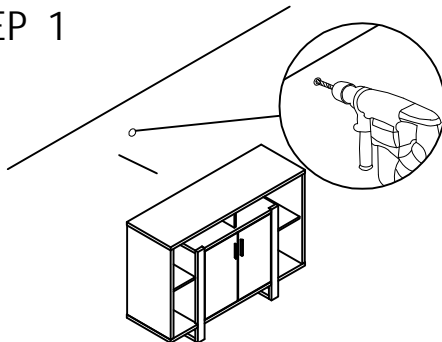
DRILL & DRILL BIT



LIGHT HAMMER

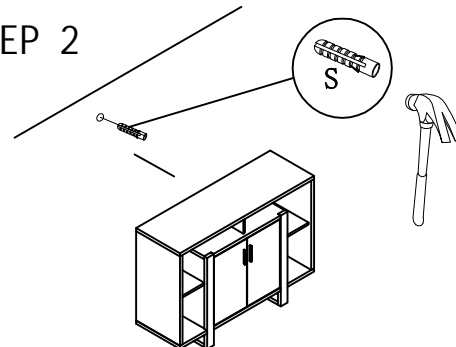
Note: Hardware included only compatible with standard drywalls.

### STEP 1



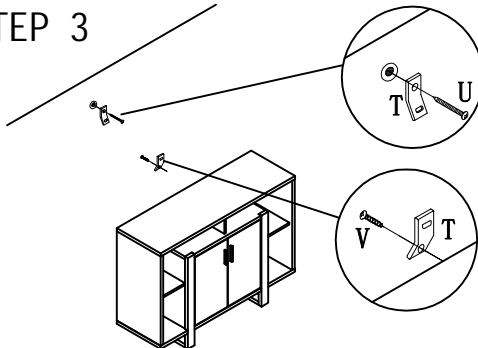
1. Find spot on wall 1" below top of item.
2. Using a drill bit slightly thinner than anchor, drill hole into drywall.

### STEP 2



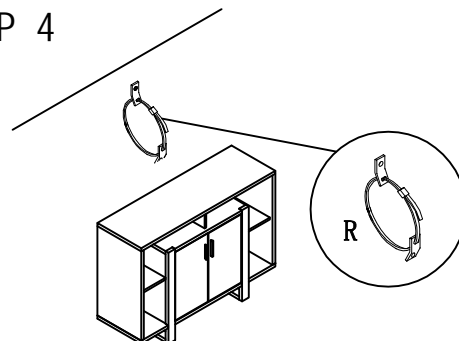
1. Use a light hammer to tap anchor into hole.
2. Anchor should fit snugly. If hole is too small, drill again to increase hole size. Do not force anchor into wall.

### STEP 3



1. Insert drywall screw into metal bracket and into drywall anchor.
2. Insert flathead screw into second metal bracket and into back of item. along top edge.

### STEP 4



1. Insert strap thru bracket attached to wall. then thru bracket on item, and into head of strap.
  2. pull lightly til strap stops.
- Assembly is complete.