

ASSEMBLY INSTRUCTION

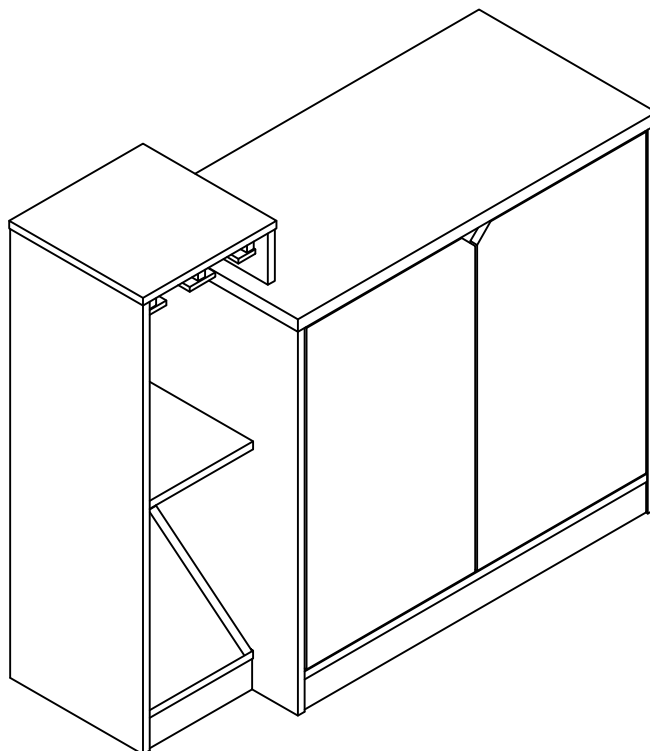
PLEASE READ BEFORE ASSEMBLING!

Tip #1: Make sure you've taken all the pieces and hardware out of its packaging before discarding the box.

Tip #2: Using page 2 and/or page 3 of instruction manual make sure all pieces and hardware are accounted for.

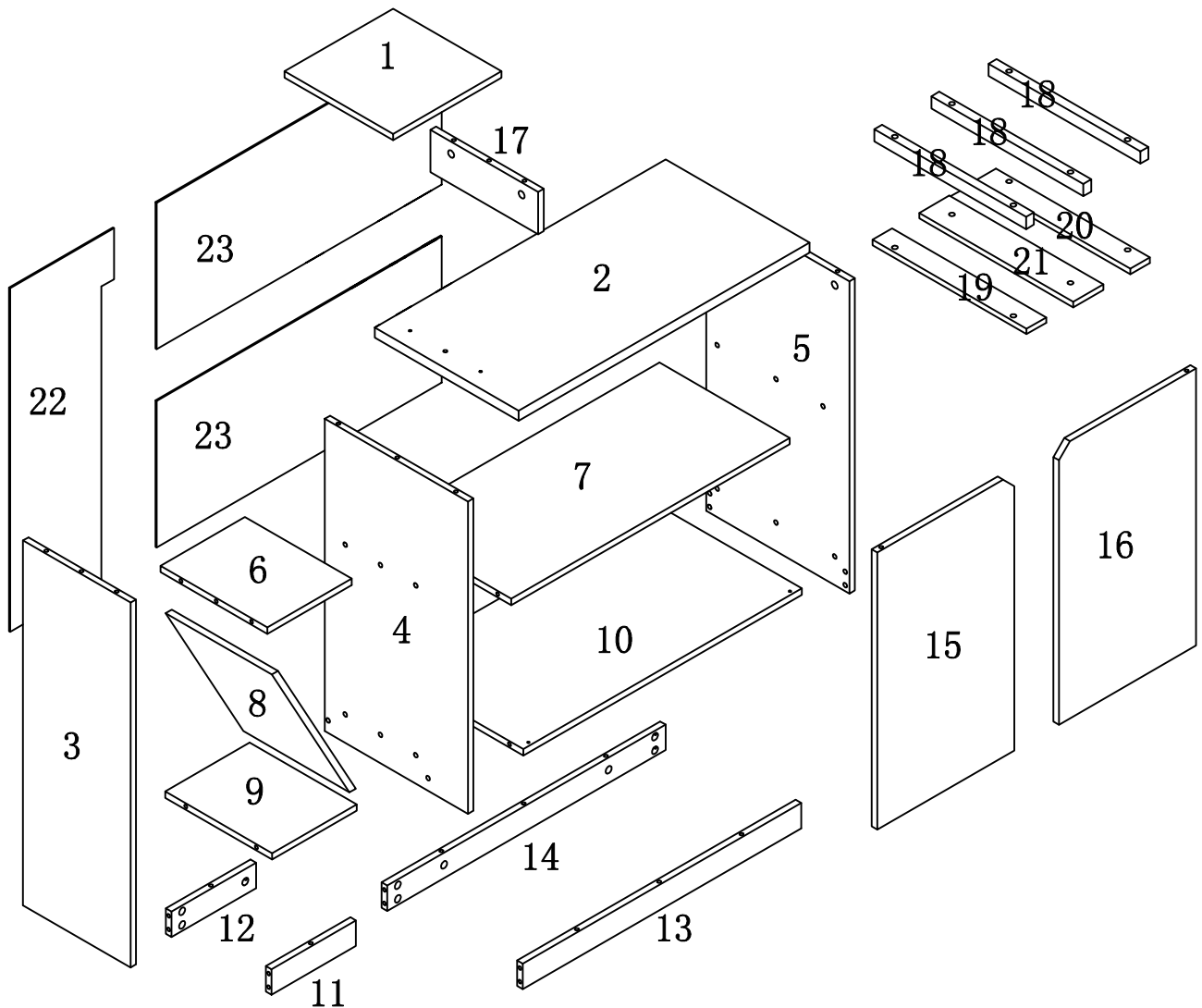
Tip #3: Read manual before assembling, it helps!

ITEM#: 213036



PARTS IDENTIFICATION

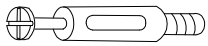


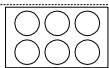

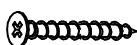
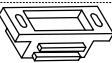



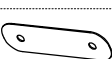

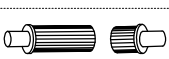

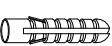


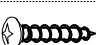
ITEM#: 213036



(1)	1pc	(7)	1pc	(13)	1pc	(19)	1pc
(2)	1pc	(8)	1pc	(14)	1pc	(20)	1pc
(3)	1pc	(9)	1pc	(15)	1pc	(21)	1pc
(4)	1pc	(10)	1pc	(16)	1pc	(22)	1pc
(5)	1pc	(11)	1pc	(17)	1pc	(23)	2pcs
(6)	1pc	(12)	1pc	(18)	3pcs		

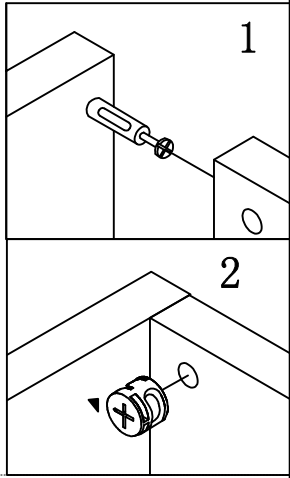
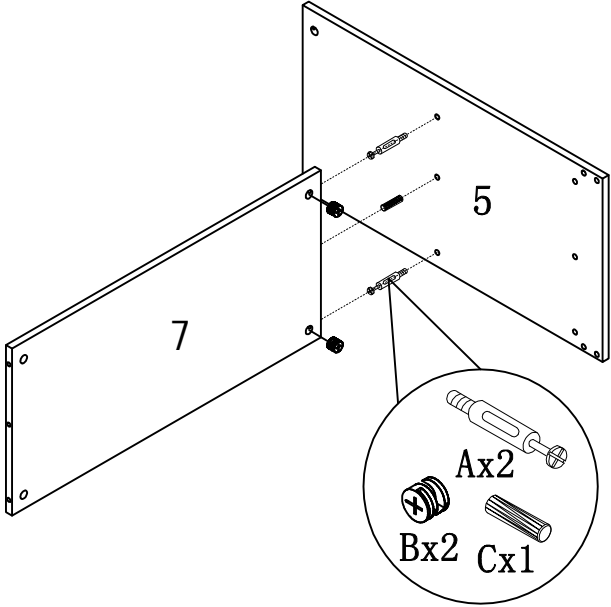
HARDWARE IDENTIFICATION

ITEM#: 213036

A		L29	42pcs
B		Ø15	42pcs
C		Ø8x25	17pcs
D		Ø22	8pcs
E		M6x35	6pcs
F		Ø4x45	2pcs
G			2pcs
H		Ø3x16	4pcs
I		Ø16	6pcs
J			35pcs
K			2pcs
L		Ø3x12	4pcs
M			2pcs
N		197x5x1	1pc
O		Φ8x40	1pc
P		12x12x1	2pcs
Q		Φ5x40	1pc
R		Φ4x25	1pc

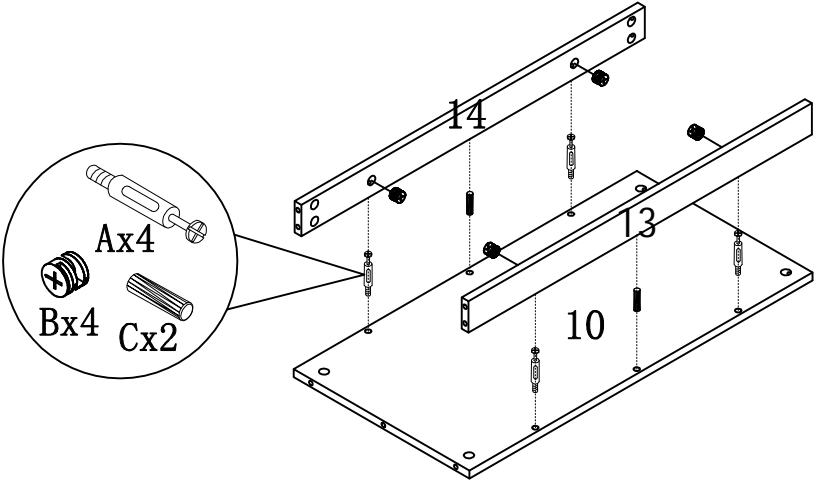
ASSEMBLY INSTRUCTION

ITEM#: 213036



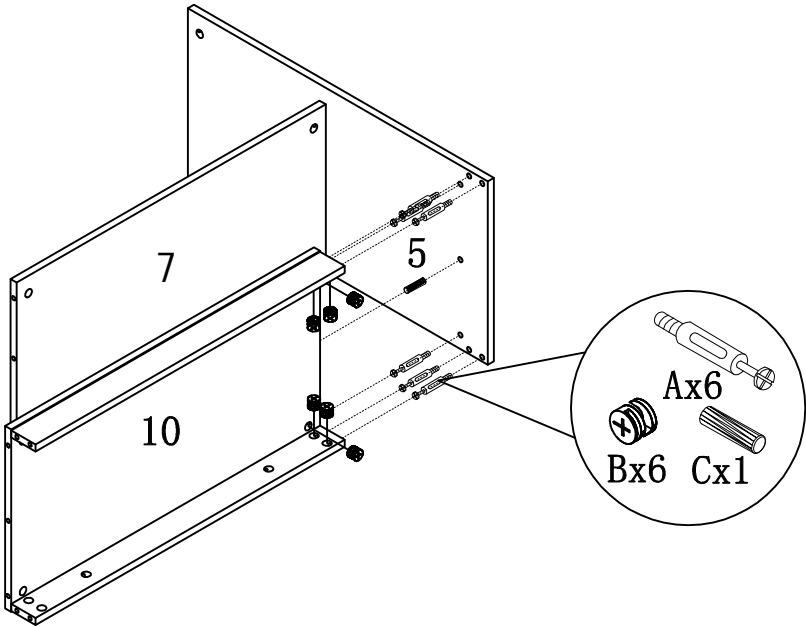
STEP 1

STEP 2



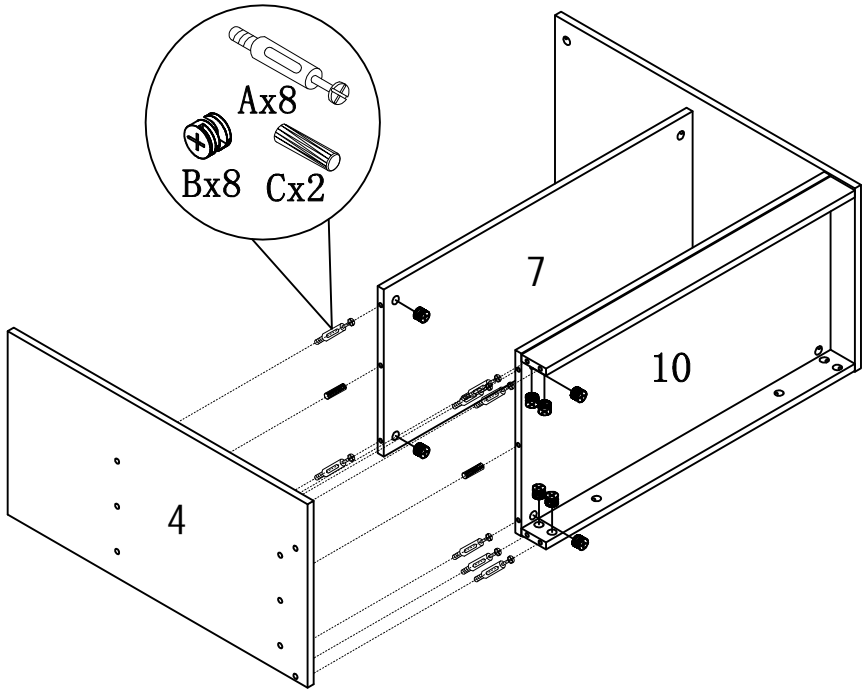
ASSEMBLY INSTRUCTION

ITEM#: 213036



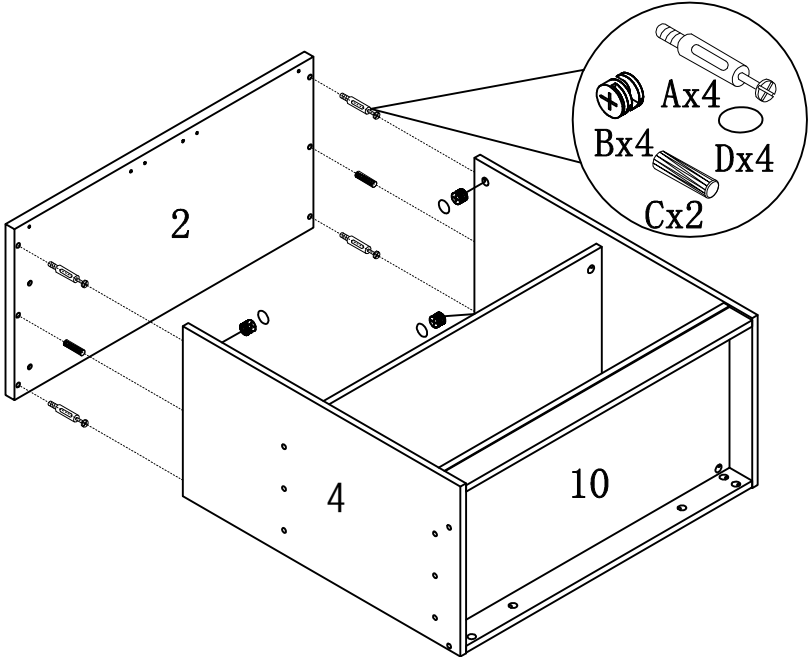
STEP3

STEP4



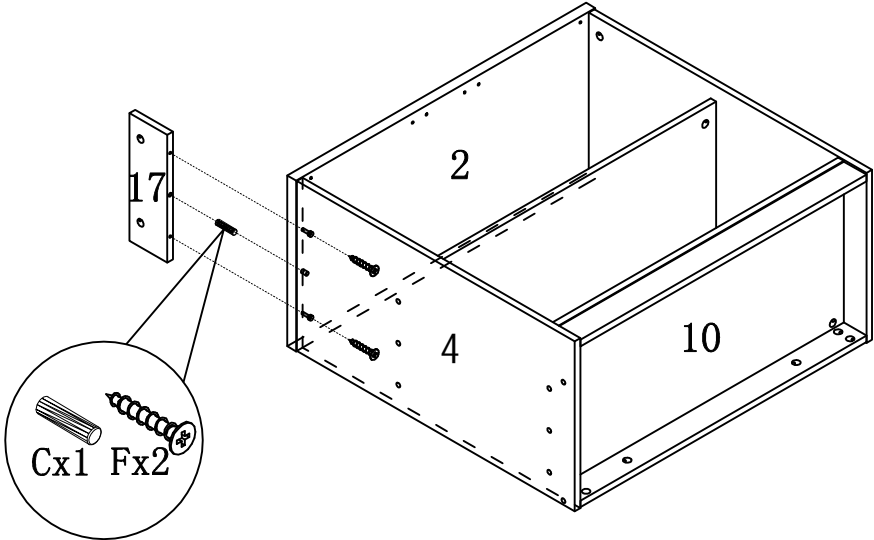
ASSEMBLY INSTRUCTION

ITEM#: 213036



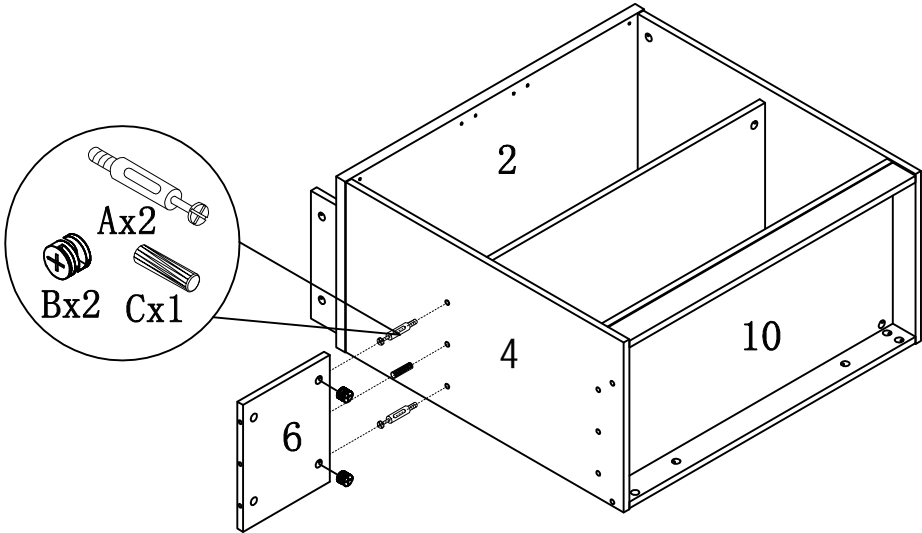
STEP5

STEP6



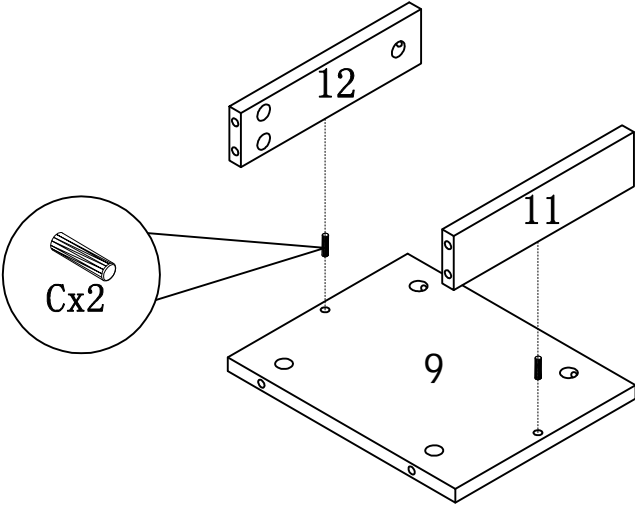
ASSEMBLY INSTRUCTION

ITEM#: 213036



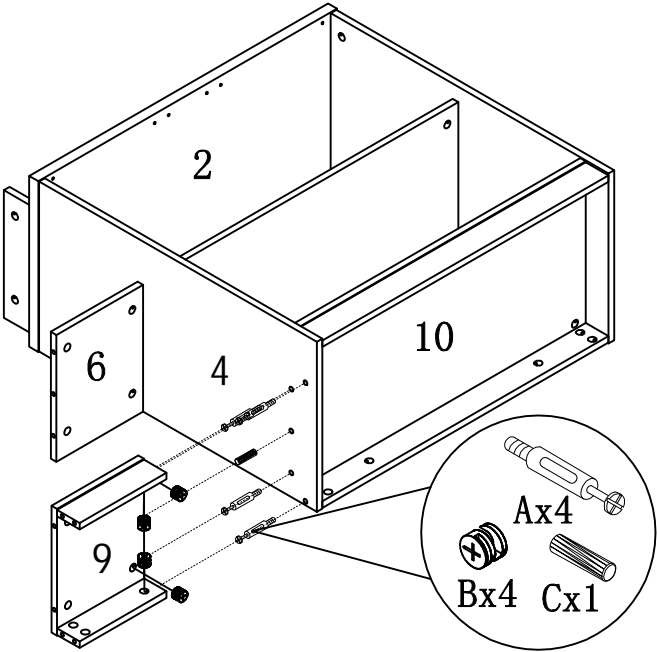
STEP7

STEP8



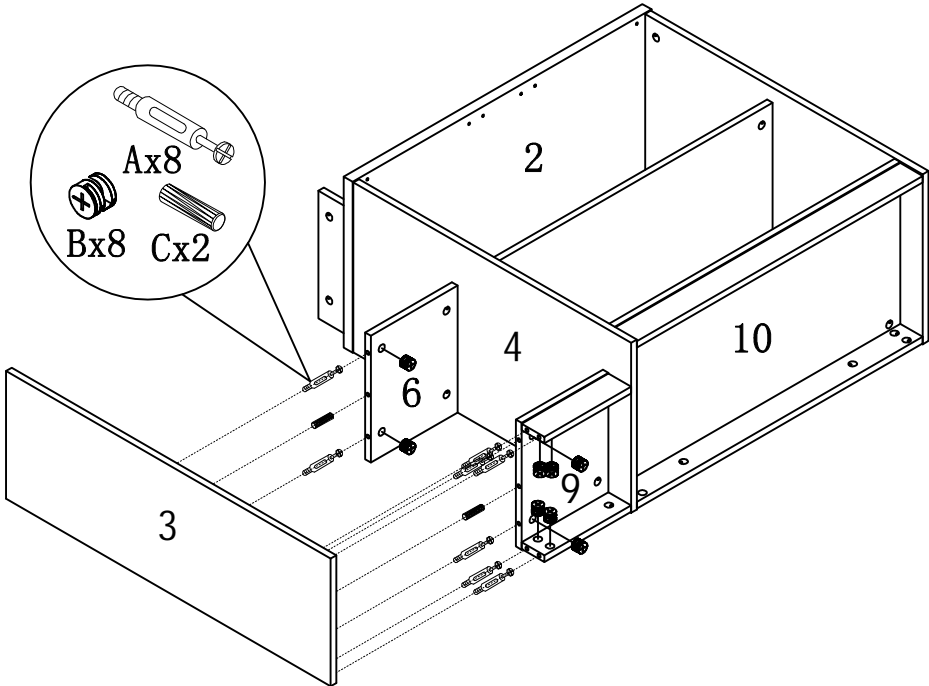
ASSEMBLY INSTRUCTION

ITEM#: 213036



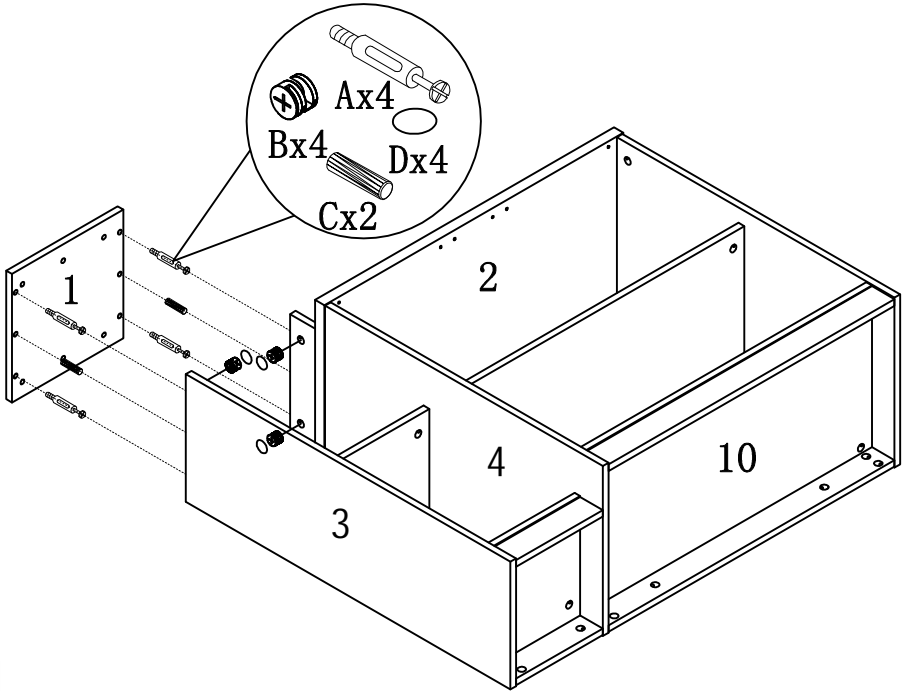
STEP9

STEP10



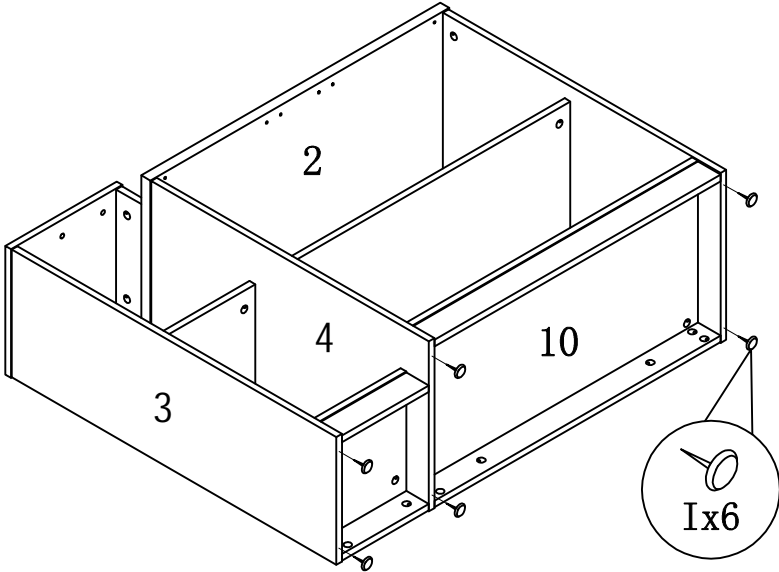
ASSEMBLY INSTRUCTION

ITEM#: 213036



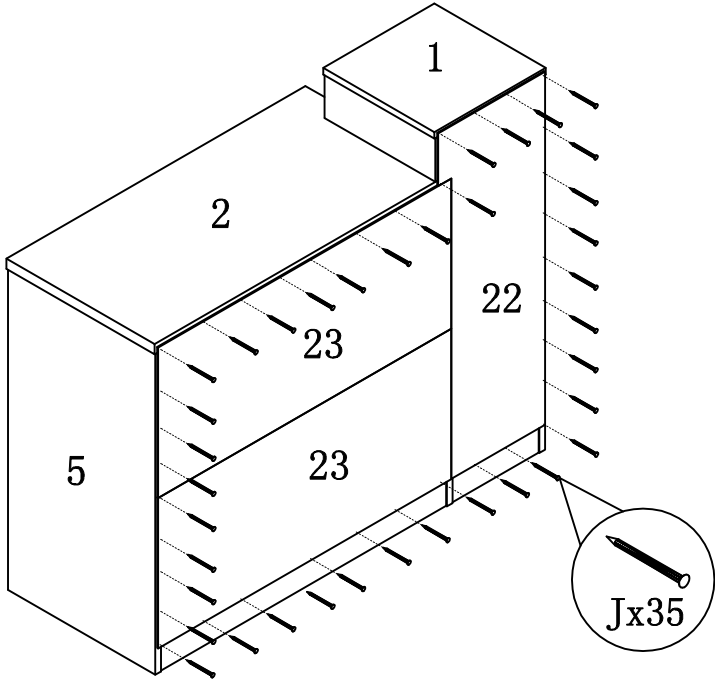
STEP11

STEP12



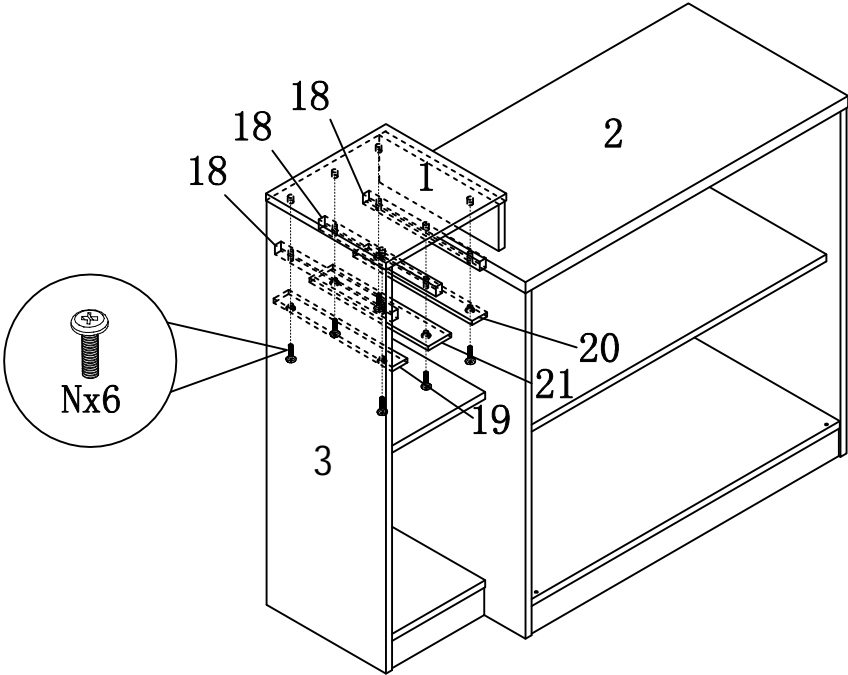
ASSEMBLY INSTRUCTION

ITEM#: 213036



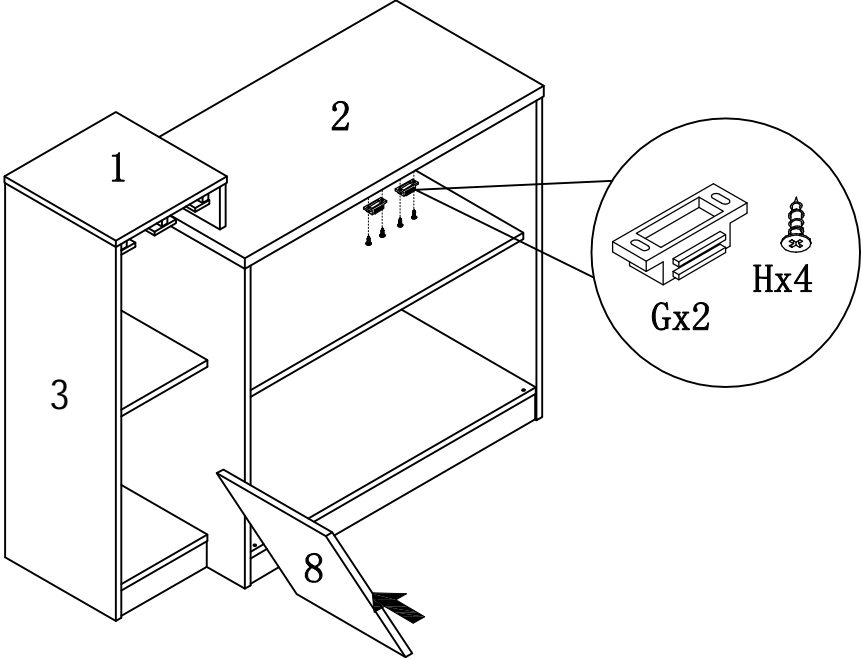
STEP 13

STEP 14



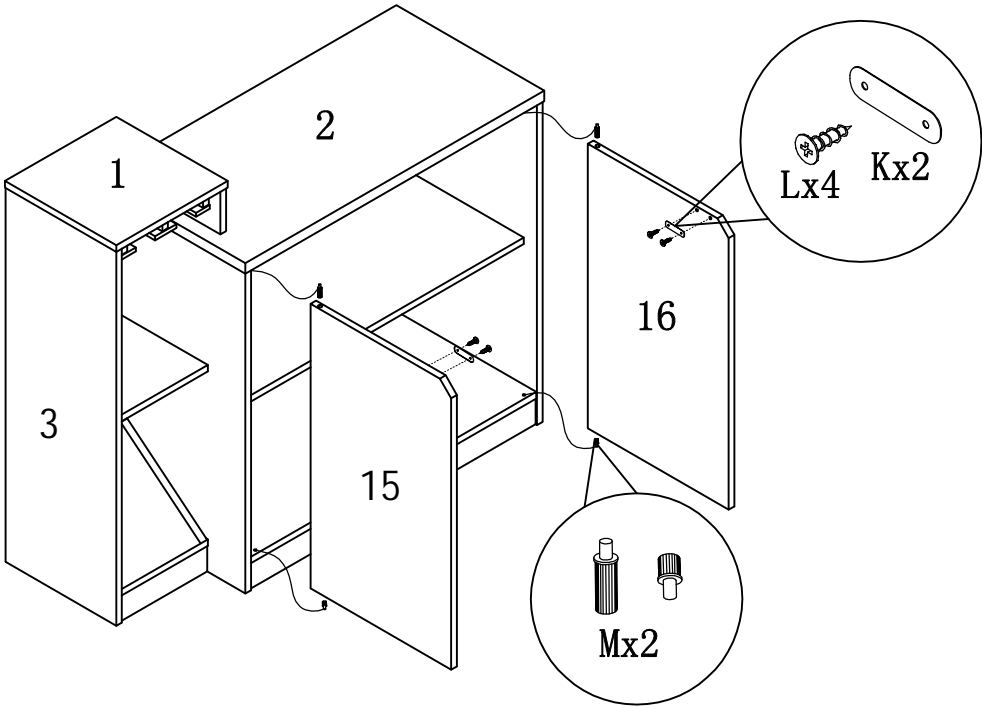
ASSEMBLY INSTRUCTION

ITEM#: 213036



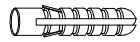
STEP 15

STEP 16

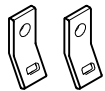


ANTI-TIPPING STRAP INSTRUCTION

HARDWARE (INCLUDED) :



DRYWALL ANCHOR $\phi 8 \times 40$ X 1PC



METAL BRACKETS $12 \times 12 \times 1$ X 2PCS



DRYWALL SCREW $\phi 5 \times 40$ X 1PC

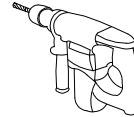


STRAP $197 \times 5 \times 1$ X 1PC



FLATHEAD SCREW $\phi 4 \times 25$ X 1PC

TOOLS NEEDED (NOT INCLUDED) :



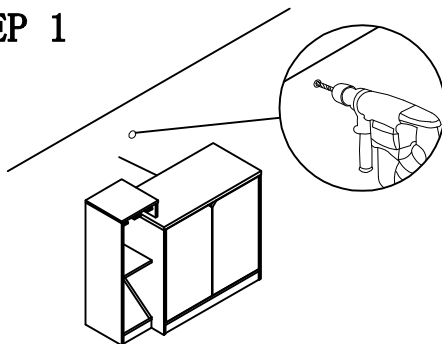
DRILL & DRILL BIT



LIGHT HAMMER

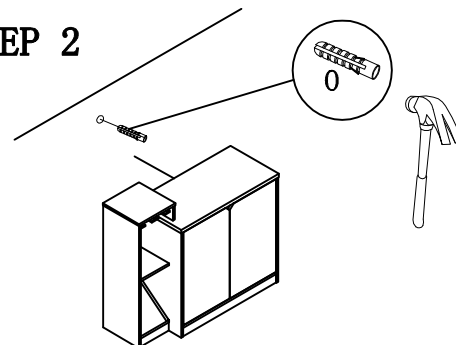
Note: Hardware included only compatible with standard drywalls.

STEP 1



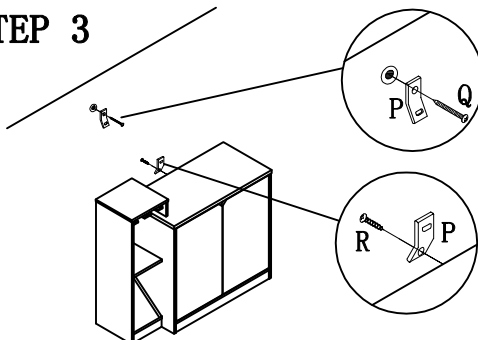
1. Find spot on wall 1" below top of item.
2. Using a drill bit slightly thinner than anchor, drill hole into drywall.

STEP 2



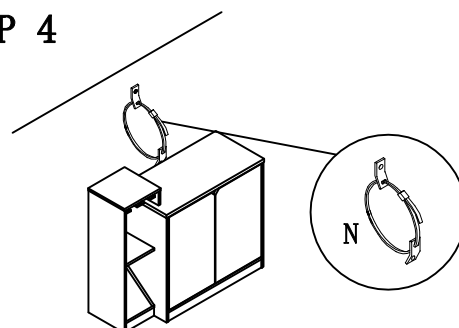
1. Use a light hammer to tap anchor into hole.
2. Anchor should fit snugly. If hole is too small, drill again to increase hole size. Do not force anchor into wall.

STEP 3



1. Insert drywall screw into metal bracket and into drywall anchor.
2. Insert flathead screw into second metal bracket and into back of item along top edge.

STEP 4



1. Insert strap thru bracket attached to wall, then thru bracket on item, and into head of strap.
 2. pull lightly til strap stops.
- Assembly is complete.